

PARTS LIST

FOR

LIGHT FORWARD CONTROL

1500 and 2500 SERIES I, II and IIA
($\frac{3}{4}$ and 1 Ton)

MODEL TYPE	CHASSIS NUMBER SERIES				
	1500 Series I	1500 Series II(A)	1500 Series II(A) All Synchronesh	2500 Series	2500 Series All Synchronesh
Van—Hinged Doors—Petrol	1500 VH	1500 VH2	1500 VH3	2500 VH2	2500 VH3
Van—Hinged Doors—Diesel	1500 VHD	1500 VHD2	1500 VHD3	2500 VHD2	2500 VHD3
Van—Hinged Doors Plus 3rd Door—Petrol	1500 VT	1500 VT2	1500 VT3	2500 VT2	2500 VT3
Van—Hinged Doors Plus 3rd Door—Diesel	1500 VTD	1500 VTD2	1500 VTD3	2500 VTD2	2500 VTD3
Chassis/Cab—Petrol	1500 CC	1500 CC2	1500 CC3	2500 CC2	2500 CC3
Chassis/Cab—Diesel	1500 CCD	1500 CCD2	1500 CCD3	2500 CCD2	2500 CCD3
Van—Sliding Door—Petrol	1500 VS	1500 VS2	1500 VS3	2500 VS2	2500 VS3
Van—Sliding Door—Diesel	1500 VSD	1500 VSD2	1500 VSD3	2500 VSD2	2500 VSD3
Bottle Float—Petrol	1500 DA	1500 DA2	1500 DA3	2500 DA2	2500 DA3
Bottle Float—Diesel	1500 DAD	1500 DAD2	1500 DAD3	2500 DAD2	2500 DAD3
Drive Away Chassis—Petrol	1500 DA	1500 DA2	1500 DA3	2500 DA2	2500 DA3
Drive Away Chassis—Diesel	1500 DAD	1500 DAD2	1500 DAD3	2500 DAD2	2500 DAD3
Light Bus—Petrol (12 Seater)	1500 LB	1500 LB2	1500 LB3	2500 LB2	2500 LB3
Light Bus—Diesel (12 Seater)	1500 LBD	1500 LBD2	1500 LBD3	2500 LBD2	2500 LBD3
Contractor's Bus—Petrol (14 Seater) ..	1500 LB	1500 LB2	1500 LB3	2500 LB2	2500 LB3
Contractor's Bus—Diesel (14 Seater) ..	1500 LBD	1500 LBD2	1500 LBD3	2500 LBD2	2500 LBD3
Caravan—Petrol	1500 LB	1500 LB2	1500 LB3	2500 LB2	2500 LB3
Caravan—Diesel	1500 LBD	1500 LBD2	1500 LBD3	2500 LBD2	2500 LBD3
Station Wagon—Petrol	1500 LB	1500 LB2	1500 LB3	2500 LB2	2500 LB3
Station Wagon—Diesel	1500 LBD	1500 LBD2	1500 LBD3	2500 LBD2	2500 LBD3

CONDITIONS OF SALE

ALL SALES ARE MADE SUBJECT TO THE COMPANY'S "CONDITIONS OF SALE" CURRENT AT THE TIME OF DELIVERY

A COMPLETE LIST OF PARTS STOCKISTS IN GREAT BRITAIN AND N. IRELAND CAN BE OBTAINED ON APPLICATION TO ROOTES MOTORS (PARTS) LTD.

ROOTES MOTORS (PARTS) LIMITED

Coventry Road, Birmingham 10

Telephone: Birmingham Victoria 4321

Telegrams: Rootesparts
Telex: Rootesparts, Birmingham
Telex No. 33-304
33-305

PARTS LIST



1500 Series I — Hinged Door Van — R.H.D.



1500 Series I — Passenger — 12 Seat Bus — L.H.D.

INTERPRETATION OF THE PARTS LIST



1500 Series II — Hinged Door Van — R.H.D.



1500 Series II — Passenger — 13 Seat Bus — L.H.D.

INTERPRETATION OF THE PARTS LIST

Attention is drawn to the layout of this list, whereby it is possible to ascertain the exact composition of Assemblies and Sub-Assemblies.

As an example, if it is required to order the Connecting Rod, Bush, Bolt and Big End Bearing for the 1494 c.c. Petrol Engine, reference to Page 11 of the Parts List will show the items as follows:—

Plate Ref.	Part No.	DESCRIPTION	No. per Veh.	REMARKS
B23	P.48568	CONNECTING ROD—less Bearing	4	
B24	P.103685	Bush—Small End	4	
B25	P.103686	Bolt—Special— $\frac{1}{8}$ " UNF. } Big	8	
B26	9551054	Nut—Nyloc— $\frac{1}{8}$ " UNF. } End	8	
B27	5109550	Connecting Rod Big End Bearing—Set (Standard) ..	8 hves.	

The reference numbers in the left-hand column headed "Plate Ref." will enable the items to be located on the illustration preceding the Engine Section.

Connecting Rod—less Bearing (Part Number P.48568) is a Sub-Assembly and it will be seen that the descriptions of the next three items comprised in the sub-assembly are "inset" to the right.

This indicates that the Bush—Small End, Bolt—Special and Nut—Nyloc, are comprised in the sub-assembly and will be supplied automatically when P.48568 is ordered. The bush (P.103685), Bolt (P.103686) and Nut (9551054) may of course be ordered as individual parts also, if required.

It will be noted that the next description "Connecting Rod Big End Bearing—Set (Standard)" is **not** inset to the right and this indicates that Big End Bearings are not included in the Sub-Assembly P.48568 and must be ordered separately under Part Number 5109550.

This "inset" method of indicating the parts included in Assemblies or Sub-Assemblies has been applied throughout the Parts List and it is pointed out that such an Assembly only includes those items which are "inset" below it.

Before placing orders for parts, reference should be made to the "General Instructions for Ordering Replacement Parts" included in the following pages.

MODEL DESIGNATION REFERENCE

This Parts List is applicable to all the Models indicated on page i, and where sections and details have a common application no reference has been made to the Model Designation in the List.

Where items or units are not common to all models the appropriate Designation is clearly shown either in the Remarks column (right hand of page) or in the Section heading.

Where Part Numbers have been superseded, the new Part Number will be found in the Part Number Column in brackets, i.e., 5220450 (5220964).

Rootes Motors (Parts) Ltd. have taken every care in compiling this list, but they cannot accept responsibility for inaccuracies which may have occurred.

ABBREVIATIONS

A/R	—As Required	Csk.	—Countersunk	pr.	—Pair
Asy.	—Assembly	Cyl.	—Cylinder	Rd. Hd.	—Round Head
B.A.	—British Association Thread	Dia.	—Diameter	R.H.	—Right-Hand
Big. Hd.	—Binding Head	D.C.	—Double Coil or Double Contact	R.H.D.	—Right-Hand Drive
Bif.	—Bifurcated	F.H.	—Fillister Head	Rsd. Hd.	—Raised Head
Brkt.	—Bracket	I/D	—Inside Diameter	S. Hd.	—Snap Head
B.S.F.	—British Standard Fine Thread	L.H.	—Left-Hand	S.W.G.	—Standard Wire Gauge
B.S.P.	—British Standard Pipe Thread	L.H.D.	—Left-Hand Drive	Std.	—Standard
B.S.W.	—British Standard Whitworth Thread	mm.	—Millimetre	T.P.I.	—Threads per Inch
Ch. Hd.	—Cheese Head	N.S.	—Near Side—Left Hand	U.N.C.	—Unified Normal Coarse Thread
C.P.	—Chromium Plate	O/D	—Outside Diameter	U.N.F.	—Unified Normal Fine Thread
C. Pt.	—Cone Point	O.H.	—Oval Head	u/s	—Undersize
c/w	—Complete with	o/s	—Oversize	Whit.	—Whitworth Thread
		O.S.	—Offside—Right Hand	"X"	—Cross
		P.H.	—Pan Head		

ALWAYS QUOTE CHASSIS NUMBER

COMMER CARS . LUTON ENGLAND.		
WHEN ORDERING PARTS PLEASE QUOTE		
CHASSIS N° 1500/		
ENGINE N° 1500/		
MAXIMUM ALLOWABLE GROSS VEHICLE WEIGHT WITH APPROVED TYRE EQUIPMENT	LBS.	KGS.
MAKERS GUARANTEE IS CANCELLED IF THIS LOAD IS EXCEEDED		

COMMER CARS . LUTON ENGLAND.		
WHEN ORDERING PARTS PLEASE QUOTE		
COMMER ¾ TON SERIES II		
CHASSIS N°		
ENGINE N°		
MAXIMUM ALLOWABLE GROSS VEHICLE WEIGHT WITH APPROVED TYRE EQUIPMENT.	LBS.	KGS.
MAKERS GUARANTEE IS CANCELLED IF THIS LOAD IS EXCEEDED		

COMMER CARS . LUTON ENGLAND.		
WHEN ORDERING PARTS PLEASE QUOTE		
COMMER 2500 SERIES		
CHASSIS N° 25/		
ENGINE N°		
MAXIMUM ALLOWABLE GROSS VEHICLE WEIGHT WITH APPROVED TYRE EQUIPMENT.	LBS.	KGS.
MAKERS GUARANTEE IS CANCELLED IF THIS LOAD IS EXCEEDED		

SPECIAL NOTE

The Chassis Number will be found stamped on a plate as shown on the left, secured to the off side front wheelarch.

1 Ton Series IIA vehicles introduced in August 1962 incorporate major design changes affecting :-

- Front Underframe,
- Front Suspension
- Cross-member,
- Gearbox and Controls,
- Sliding Doors and Fittings,
- Brake and Clutch Pedals,
- Shock Absorbers.

From Chassis No. 223145 the Identification Plate is stamped "COMMER 1 TON SERIES IIA" but a limited number of vehicles (detailed below) were built to Series IIA specification prior to the addition of the "A" suffix to the Series II designation on the Identification Plate.

When ordering parts relating to the design changes referred to above, customers are requested to take special care in checking Chassis No. in accordance with this information.

222614	222646	222666	222675	222688
222617	222648	222667	222676	222689
222620	222649	222668	222678	222691
222624	222650	222669	222680	222798
222625	222651	222670	222681	222800
222629	222653	222671	222682	222810
222631	222655	222672	222683	222812
222634	222660	222673	222684	}
222638	222662	222674	222686	

(C.K.D. vehicles to Series IIA Specification are in the following Series :-

273739 to 273822 inclusive
273835 onwards.

and Identification Plates are stamped "Series IIA" from Chassis No. 273943.)

From Chassis Number 300000 the All Synchronmesh Gearbox was fitted as Standard Equipment to all Series IIA Late Condition Vehicles.

GENERAL INSTRUCTIONS FOR ORDERING REPLACEMENT PARTS

To avoid delay through inaccurate interpretation of orders, it is of great importance that the information detailed in the following paragraphs be quoted.

VEHICLE TYPE

- (a) *Model.*
- (b) *Chassis Number.* The Chassis Number will be found stamped on a plate secured to the offside wheel arch and can be seen on lifting the offside seat.
- (c) *Engine (Motor) Number.* The engine number will be found stamped on the plate mentioned above. On Petrol Engines it is also stamped on the offside (right-hand) of the Engine adjacent to the lubricating oil filter. On Diesel Engines it is also stamped on the Fuel Injection Pump Mounting Flange on the nearside (left-hand) of the engine.
- (d) *The Body Style.* Required when Body Replacements are being ordered.

PARTS REQUIRED

- (a) *Part Numbers and Description.* Obtained by reference to the Parts List.
- (b) *Quantity.* Ordering in "sets" is misleading. A specific statement as to the exact quantity of each part should be given.
- (c) *Offside or Nearside (Right-Hand or Left-Hand), Front or Rear.* In view of the difference of opinion which appears to exist as to which way the vehicle is faced when describing for example, a Wing (Fender) as right or left, customers are requested to utilise the expressions "offside" or "nearside" (abbreviated as O/S or N/S) the offside being the Driver's side (right-hand drive vehicles). These instructions apply particularly to such items as Wings (Fenders), Door Handles, Steering Arms, etc.
- (d) *Right-Hand Drive and Left-Hand Drive.* All orders will be executed as R.H.D. except where specifically marked Left-Hand Drive. The abbreviation, "L.H.D." is sufficient.

PATTERNS

If doubt exists as to the name or part number, a dimensioned sketch will assist in the interpretation of the order, alternatively the old part should be sent as a pattern. When supplied as patterns, parts should be labelled indicating the address of the sender, together with any reference such as Order Number, etc. Old parts sent as patterns will not be returned unless instructions to that effect accompany the order. Such parts will be scrapped after retention for a period of one week.

PRICES

Current retail prices are made available to Distributors (Overseas) or Parts Stockists (Great Britain) by means of the Master Price List and its Supplements, which are issued at regular intervals.

All prices quoted in the Master Price List are subject to alteration without notice, and are for delivery ex-works. Postage, Carriage, Packing and Transit Insurance may be charged extra.

SPECIAL NOTE FOR OWNERS

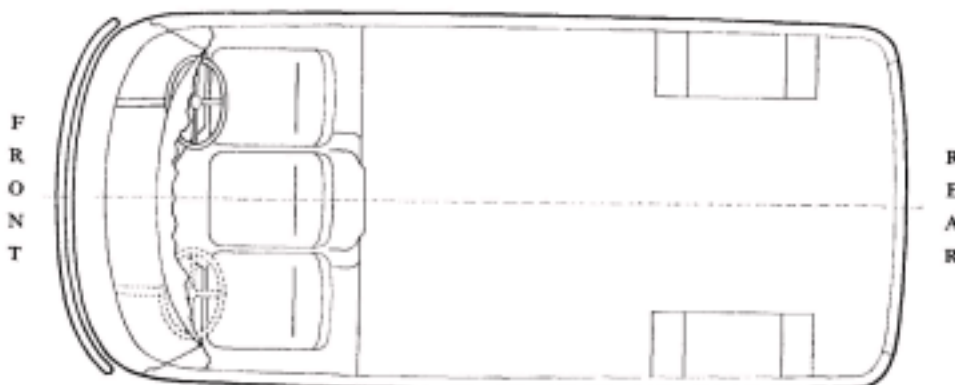
It is in the owner's interest that all orders for replacement parts are placed with the nearest Distributor (Overseas) or Parts Stockists (Great Britain) in preference to ordering direct from the Company. This will not only obviate delays in transit and carriage charges, but also eliminate delays which are inevitable when the Company receives a large volume of individual orders.

Distributors (Overseas) and Parts Stockists (Great Britain) are under contractual obligation to maintain a comprehensive range of Parts for the convenience of Traders and Owners in their respective territories. The primary function of Rootes Motors (Parts) Ltd. is to meet the bulk demand for Replacement Parts made by Distributors (Overseas) and Parts Stockists (Great Britain).

SPECIAL NOTES FOR DISTRIBUTORS AND PARTS STOCKISTS

Special instructions are issued to Home Market Main Parts Stockists and Overseas Distributors from time to time and these should always be strictly observed.

RIGHT-HAND SIDE (R.H.) or OFFSIDE (O.S.)



LEFT-HAND SIDE (L.H.) or NEARSIDE (N.S.)

INDEX

	Page No.		Page No.
ACCELERATOR CONTROLS—DIESEL ENGINE ...	91-92		
ACCELERATOR CONTROLS—PETROL ENGINE ...	89-90		
BODY ASSEMBLIES ...	211-212		
BODY—FRONT PANEL AND FITTINGS ...	227-232		
Badge and Grille ...	229-230		
Facia Panel ...	227		
Front Bumper ...	230		
Front Panel Lower ...	227		
Heater Box ...	228		
Instrument Panel ...	228		
Windscreen Glass ...	227		
BODY—MECHANICAL STEP (Passenger) ...	323-324		
Early ...	323		
Late ...	324		
BODY—REAR END ...	327-330		
Badge—Rear ...	329		
Door Handle ...	327		
Door Hinges ...	328		
Door Panels—Rear ...	327		
Glass—Rear Door ...	328		
Slam Lock ...	327		
Step—Rear ...	329		
Two-way Lock ...	327		
BODY—SIDE PANEL, ROOF AND FITTINGS—			
CHASSIS CAB AND HINGED DOOR VAN 235-250			
Chassis Cab ...	245-250		
Door Locks and Handles ...	247		
Door Panels ...	246		
Draughtless Ventilator ...	246		
Glass—Backlight ...	245		
Mirror—Exterior ...	248		
Window Regulators ...	246		
Hinged Door Van ...	235-244		
Door Handles—Front ...	238		
Door Handle—Side (J-door) ...	240		
Door Locks—Front ...	237		
Door Lock—Side (J-door) ...	240		
Door Panels—Front ...	236		
Door Panel—Side (J-door) ...	239		
Draughtless Ventilator—Front Doors ...	237		
Mirror—Exterior ...	241		
Side Panels ...	235-236		
Window Regulator—Front Doors ...	237		
PASSENGER ...	269-318		
Caravan ...	305-318		
Door Handles—Front ...	308		
Door Handle—Side ...	311-312		
Door Locks—Front ...	308		
Door Lock—Side ...	311		
Door Panels—Front ...	306		
Door Panel—Side ...	310		
Draughtless Ventilator—Front Doors ...	307		
Folding Table ...	316		
Hammock ...	316		
Mirror—Exterior ...	315		
Mirror—Interior ...	315		
Rising Roof ...	315		
Roof Panels ...	315		
Seat Fixing Rails ...	314		
Side Panels ...	305		
Trim Pads ...	308-312-314		
Window Assembly—Sliding ...	310-312-313-314		
Window Regulator—Front Doors ...	307		
Contractors Bus ...	281-292		
Door Handles—Front ...	284		
Door Handle—Side ...	287		
Door Locks—Front ...	283-284		
Door Lock—Side ...	287		
Door Panels—Front ...	282-283		
Door Panel—Side ...	286		
Draughtless Ventilator—Front Doors ...	283		
Mirror—Exterior ...	290		
Roof Panels ...	291		
Roof Ventilator ...	291		
Seat Fixing Rails ...	290		
Side Panels ...	281		
Window Assembly—Sliding ...	286-288-289		
Window Regulator—Front Doors ...	283		
Light Bus ...	269-280		
Door Handles—Front ...	271		
Door Handle—Side ...	274		
Door Locks—Front ...	270		
Door Lock—Side ...	273		
Door Panels—Front ...	269		
Door Panel—Side ...	273		
Draughtless Ventilator—Front Doors ...	270		
Mirror—Exterior ...	277		
Roof Lining ...	278		
Roof Panels ...	277		
Roof Ventilator ...	277-278		
Seat Fixing Rails ...	276		
Side Panels ...	268		
Trim Pads ...	271-274-276-278		
Window Assembly—Sliding ...	273-275-276		
Window Regulator—Front Doors ...	270		
Station Wagon ...	293-304		
Door Handles—Front ...	296		
Door Handle—Side ...	299		
Door Locks—Front ...	295		
Door Lock—Side ...	298-299		
Door Panels—Front ...	294		
Door Panel—Side ...	298		
Draughtless Ventilator—Front Doors ...	295		
Mirror—Exterior ...	302		
Roof Lining ...	303		
Roof Panels ...	302		
Roof Ventilator ...	303		
Seat Fixing Rails ...	302		
Side Panels ...	293		
Trim Pads ...	296-299-302		
Window Assembly—Sliding ...	298-300-301		
Window Regulator—Front Doors ...	295		

INDEX—continued

	Page No.		Page No.
BODY—SIDE PANEL, ROOF AND FITTINGS—		ELECTRICAL EQUIPMENT	191-208
BOTTLE FLOAT AND SLIDING DOOR VAN 253-264	253-264	Battery and Cover	202
Bottle Float	259-264	Cables and Grommets	206-207
Door Handles—Front	260	Control Box	203
Door Locks—Front	260	Distributor	200
Door Panels—Front	259	Dynamo (Generator)	199
Glass—Backlight	262	Flasher Lamp	192-193
Mirror—Exterior	263	Flasher Unit	205
Seals—Sliding Door	262	Fuse Unit	202
Side Panels	262	Headlamps	192
Track—Lower	260	Horn	205
Track—Upper	260	Ignition Cables	200-201
Windows—Sliding—Doors	259	Ignition Coil	200
		Interior Lamp	194
Sliding Door Van	253-258	Oil Pressure Unit	196
Door Handles—Front	254	Rear Number Plate Lamp	194
Door Locks—Front	254	Sidelamps	192-193
Door Panels—Front	254	Sparking Plugs	200
Mirror—Exterior	257	Speedometers and Cables	191
Seals—Sliding Door	256	Starter Motor	197-198
Side Panels	253	Stop Tail Lamp	193-194
Track—Lower	255	Switches and Controls	195-196
Track—Upper	255	Warning Lamps	191
Windows—Sliding—Doors	254	Windscreen Wiper	204
BODY—UNDERFRAME	217-224	ENGINE (Motor) AUXILIARIES—DIESEL 4-99	81-84
Bulkhead Panel	218	Air Silencer and Cleaner	81
Crossmember	217-218	Engine Plate—Rear	83
Ducting Panel	219	Fan Blade	81
Engine Access Panel	219-220	Flywheel and Starter Ring (Gear)	81
Floor Mats	222-223	Gasket Set	81
Sill Panels	219	Inlet Pipe	83
Spare Wheel Carry Brace	221	ENGINE (Motor) AUXILIARIES—PETROL 1494 c.c. 18-24	
Stay Assembly—Engine Cover	220	Air Silencer and Cleaner	18
Underfloor Spare Wheel Carrier	221-222	Carburettor	20-23
BRAKES AND CONTROLS	165-170	Fan Blade	19
Brake Drum	165	Gasket Set	18
Brake Pipes	167	Manifolds	18
Handbrake Cable	168-169	Petrol Pump	20
Handbrake Lever	168	ENGINE (Motor) AUXILIARIES—PETROL 1592 c.c. 42-48	
Master Cylinder—Brake	166	Air Silencer and Cleaner	42-43
Wheel Cylinder	165-166	Carburettor	45-46
CLUTCH AND CONTROLS	99-108	Fan Blade	43
Prior to Chassis No. 300000	99-104	Gasket Set	42
Clutch Cover	99	Manifolds	42
Clutch Driven Plate	99	Petrol Pump	44-45
Clutch Housing	99-100	ENGINE (Motor) UNIT—DIESEL 4-99	63-80
Clutch Pipes	102	Atomizers	78
Master Cylinder—Clutch	101	Big End Bearing Set	69
Slave Cylinder	100-101	Camshaft	72
		Connecting Rod	69
From Chassis No. 300000	105-108	Crankshaft	69
Clutch Cover	105	Cylinder Block	63
Clutch Driven Plate	105	Cylinder Head	65
Clutch Housing	105	Cylinder Head Gasket	63
Clutch Pipes	107	Dipstick	64
Master Cylinder—Clutch	107	Exhaust Valve	66
Slave Cylinder	106	Fuel Injection Pump	76-77
		Fuel Lift Pump	78-79

INDEX—continued

	Page No.		Page No.
Fuel Oil Filter	80	Timing Cover	35
Inlet Valve	66	Water Pump	38-39
Lubricating Oil Filter	73	EXHAUST SYSTEM	185-186
Main Bearing Pack	69	Exhaust Pipe	185
Manifolds	66	Silencer	185
Oil Pump	73	Tail Pipe	185
Pistons	69-70	FRONT SUSPENSION	145-150
Rocker Shaft and Levers	71	Crossmember	145
Sump	74	Hub	146
Thermostat	66	Lower Link and Fulcrum Pin	145-146
Timing Gear Housing	72	Shock Absorbers	147-148
Water Pump	75	Stabilizer Bar	147
ENGINE (Motor) UNIT—PETROL 1494 c.c.	11-17	Steering Arm	147
Camshaft	12	Stub Axle	146
Connecting Rod	11-12	Stub Carrier	146
Crankshaft	12	Swivel (King) Pin	146
Cylinder Block	11	Upper Link and Fulcrum Pin	145
Cylinder Head	15	FUEL SYSTEM—DIESEL 4.99	180-182
Cylinder Head Gasket	15	Filler Cap	180
Dipstick	14	Fuel Container	180
Distributor Drive Bracket	17	Fuel Pipes	180-181
Engine (Motor) Support Plate	12	Fuel Strainer	180
Exhaust Valve	15	Fuel Tank	180
Flywheel and Starter Ring (Gear)	12	Gauge—Tank Unit	180
Inlet Valve	15	FUEL SYSTEM—PETROL 1494 c.c. and 1592 c.c.	179
Main Bearing Set	12	Filler Cap	179
Oil Filter	14-15	Gauge—Tank Unit	179
Oil Jet Pipe	13	Petrol Pipes	179
Oil Pump and Pipes	13-14	Petrol Tank	179
Pistons	11	GEARBOX (Transmission) CONTROLS	127-130
Rocker Shaft and Rockers	16	Early	127-128
Sump	14	Change Speed Lever	127
Tappet Cover	15	Fulcrum Housing	127
Thermostat	16	Gear Change Rod	127
Timing Chain	13	Selector Lever	128
Timing Cover	13	Late	129-130
Water Pump	16	Change Speed Lever	129
ENGINE (Motor) UNIT—PETROL 1592 c.c.	33-41	Change Speed Rod	129
Camshaft	34	Fulcrum Housing	129
Connecting Rod	33-34	Relay Shaft	129
Crankshaft	34	Selector Rod	130
Cylinder Block	33	GEARBOX (Transmission) UNIT	113-122
Cylinder Head	37	Prior to Chassis No. 300080	113-118
Cylinder Head Gasket	37	Engine (Motor) Support Bracket—Rear	116
Dipstick	36	Front Cover	113
Distributor Drive Bracket	40	Rear Cover	113
Engine (Motor) Support Plate	34	Speedometer Driving Pinion	116
Exhaust Valve	38	Speedometer Driving Wheel (Gear)	114
Flywheel and Starter Ring (Gear)	34	Top Cover	115
Inlet Valve	37	From Chassis No. 300080	119-122
Main Bearing Set	34	Engine (Motor) Support Bracket—Rear	121
Oil Filter	36-37	Front Cover	119
Oil Jet Pipe	35	Rear Cover	119
Oil Pump and Pipes	35	Speedometer Driving Pinion	121
Pistons	33		
Rocker Shaft and Rockers	38		
Sump	35		
Tappet Cover	37		
Thermostat	39		
Timing Chain	35		

INDEX—continued

	Page No.		Page No.
Speedometer Driving Wheel (Gear)	120	Single Fixed Seat	342-343
Top Cover	120	Single Moveable Seat	343
HEATER KIT	355-356	Treble Front Seat	341
Front Compartment	355	Rear Seats—Station Wagon	345-348
Rear Compartment	356	Double Seat—Front	345-346
PAINT	371-372	Treble Seat—Rear	346-347
PROPELLOR SHAFT	133-134	SPECIAL ACCESSORIES	363-368
RADIATOR	173-174	Ammeter	363
Drain Tap	173	Ash Bowl	363
Hoses	173	Brake Servo	363
Radiator Block	173	Bumper—Front—Chrome	363
Radiator Cowl	173	Bumper—Rear—Black	363
REAR AXLE	137-140	Bumper—Rear—Chrome	364
Axle Shaft	138	Centre Seat	365-366
Crown Wheel and Bevel Pinion	137	Electric Clock	364
Differential Unit	137	Exterior Mirror	365
Driver Coupling	137	Fire Extinguisher	364
REAR SUSPENSION	153-154	Fog Lamp	364
Buffer	154	Fuel Filler Cap—Locking	364
Rear Spring	153	Headlamp Flasher Switch	364
Shock Absorber	154	Headlamp Lens Converter	364
ROAD WHEELS	142	Interior Lighting	365
SEATS—FRONT AND REAR	337-352	Interior Mirror	365
Front Seats	337-338	Luggage Claw	365
Seat Assembly—Driver	337	Mud Flap—"Commer"	365
Seat Kit—Centre	338	Oil Pressure Gauge	365
Seat Kit—Passenger	337	Passenger Seat	366
Seat Trim	338	Pedal Pad—Rubber	365
Rear Seats—Carran (Early)	349	Reverse Lamp	364
Front Seat	349	Rim Finisher	365
Rear Seat	349	Roof Rack	365
Single Bol	349	Safety Belt	365
Rear Seats—Carran (Late)	350-352	Screenwasher	365
Double Seat	350	Spot Lamp	364
Single Detachable Seat	350-351	Starting Handle	366-367
Single Fixed Seat	351	Start Pilot	367
Rear Seats—Contractor Bus	Not Supplied	Sun Visor	367
Rear Seats—Light Bus (Early)	339-341	Thermometer	367
Double Front Seat	339	Tool Kit	367
Double Intermediate Seat	339	Tyre Inflator	367
Double Rear Seat	339-340	Ventilator—Roof	368
Seat Trim	343	Wheel Brace	368
Single Intermediate Seat	340	STEERING AND CONTROLS	157-160
Single Moveable Seat	341	Cross Tube	159
Single Tipping Seat—Front	340	Drop Arm	157
Rear Seats—Light Bus (Late)	341-344	Relay Lever	158
Double Intermediate Seat	342	Side Steering Rod	158
Double Rear Seat	342	Steering Box Trunnion	157
Seat Trim	343	Steering Gear	157
		Steering Wheel	158
		Track Rod	159
		TOOLS	359-360
		MISCELLANEOUS ITEMS	375-429
		Parts and Service Literature	379-380
		Numerical Part Number Index	389-429
		Replacement Service Units	375-376
		Standards Section (Bolts, Nuts, Washers, etc.)	381-388

ENGINE (Motor) UNIT—PETROL
AND
ENGINE (Motor) AUXILIARIES—PETROL
1494 c.c.

ENGINE (Motor) UNIT — PETROL 1494 c.c.

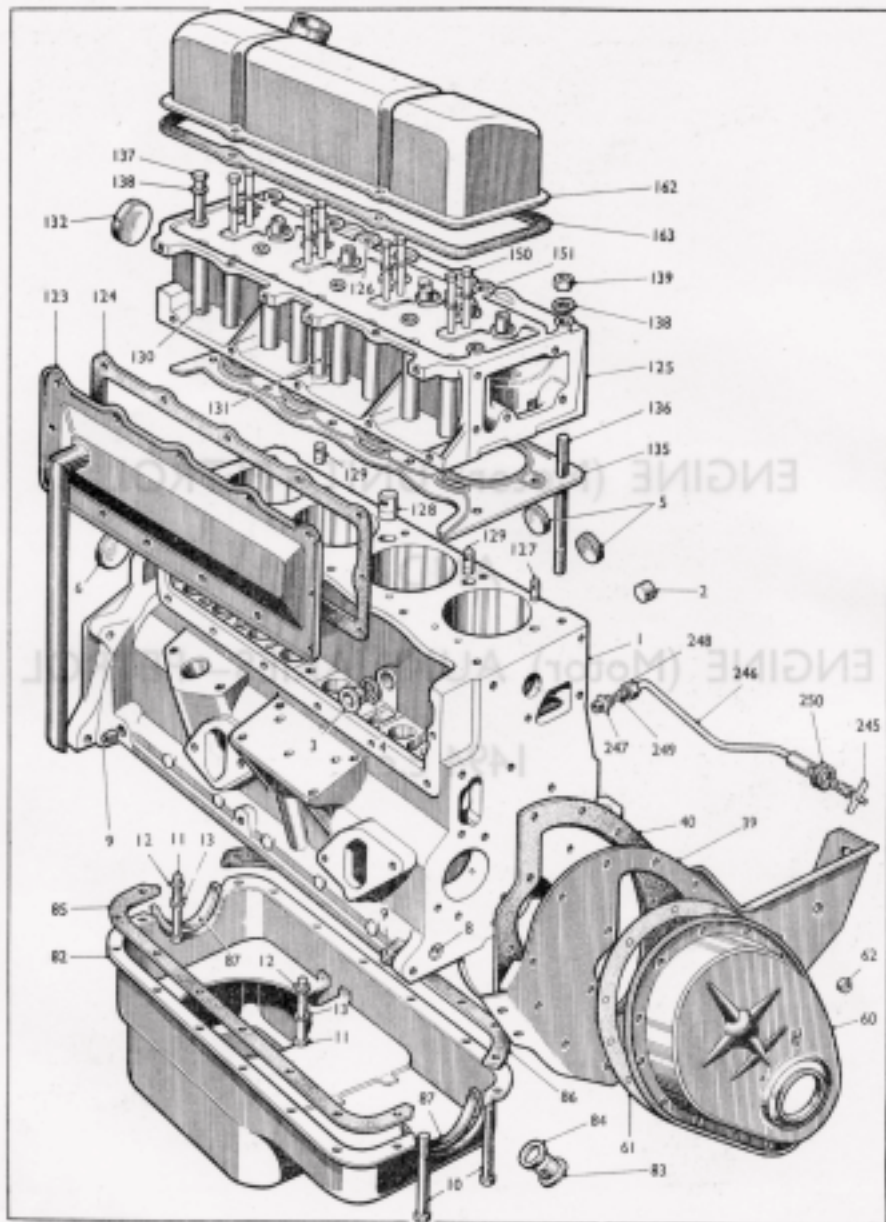


PLATE A

ENGINE (Motor) UNIT — PETROL 1494 c.c.

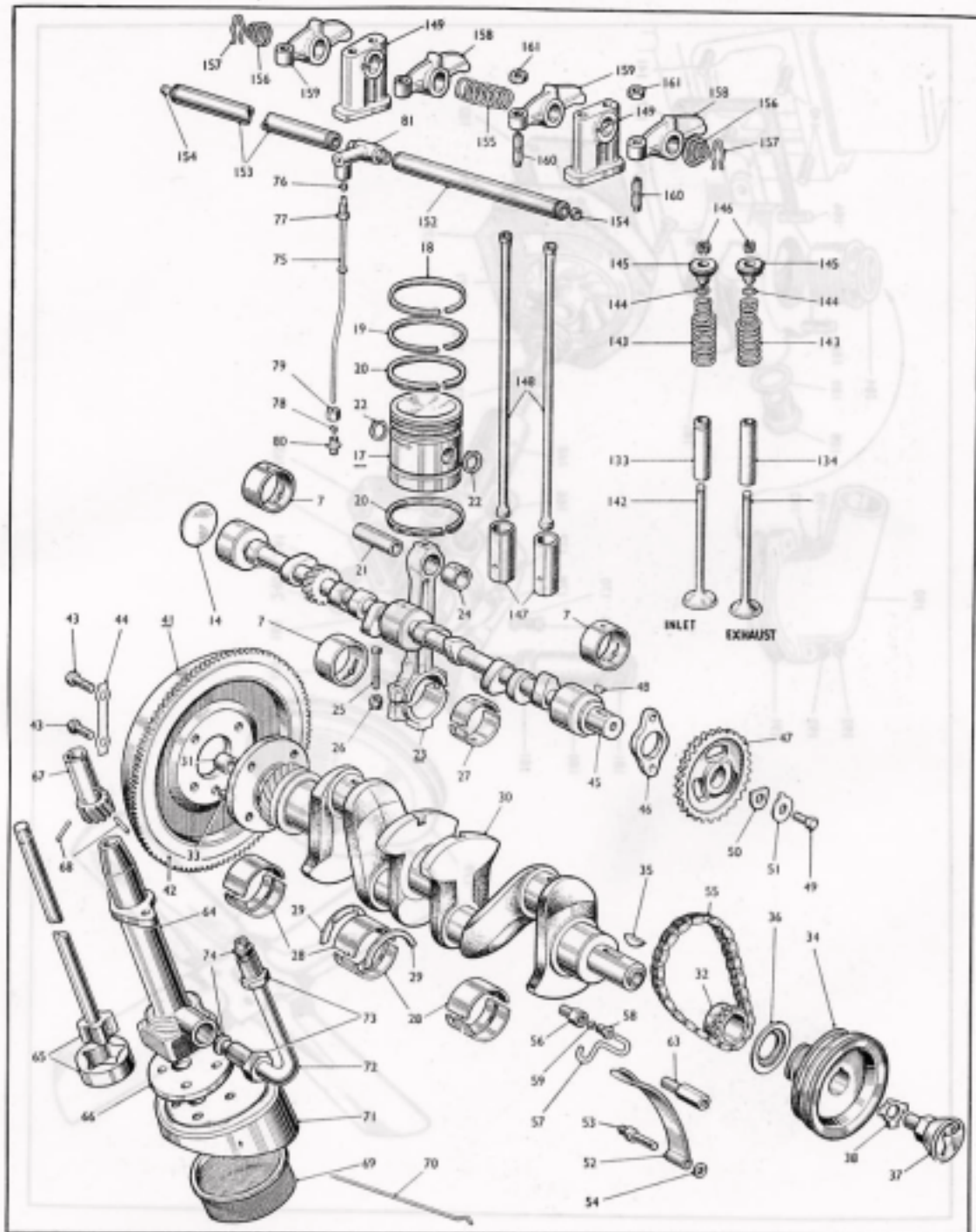


PLATE B

ENGINE (Motor) UNIT — PETROL 1494 c.c.

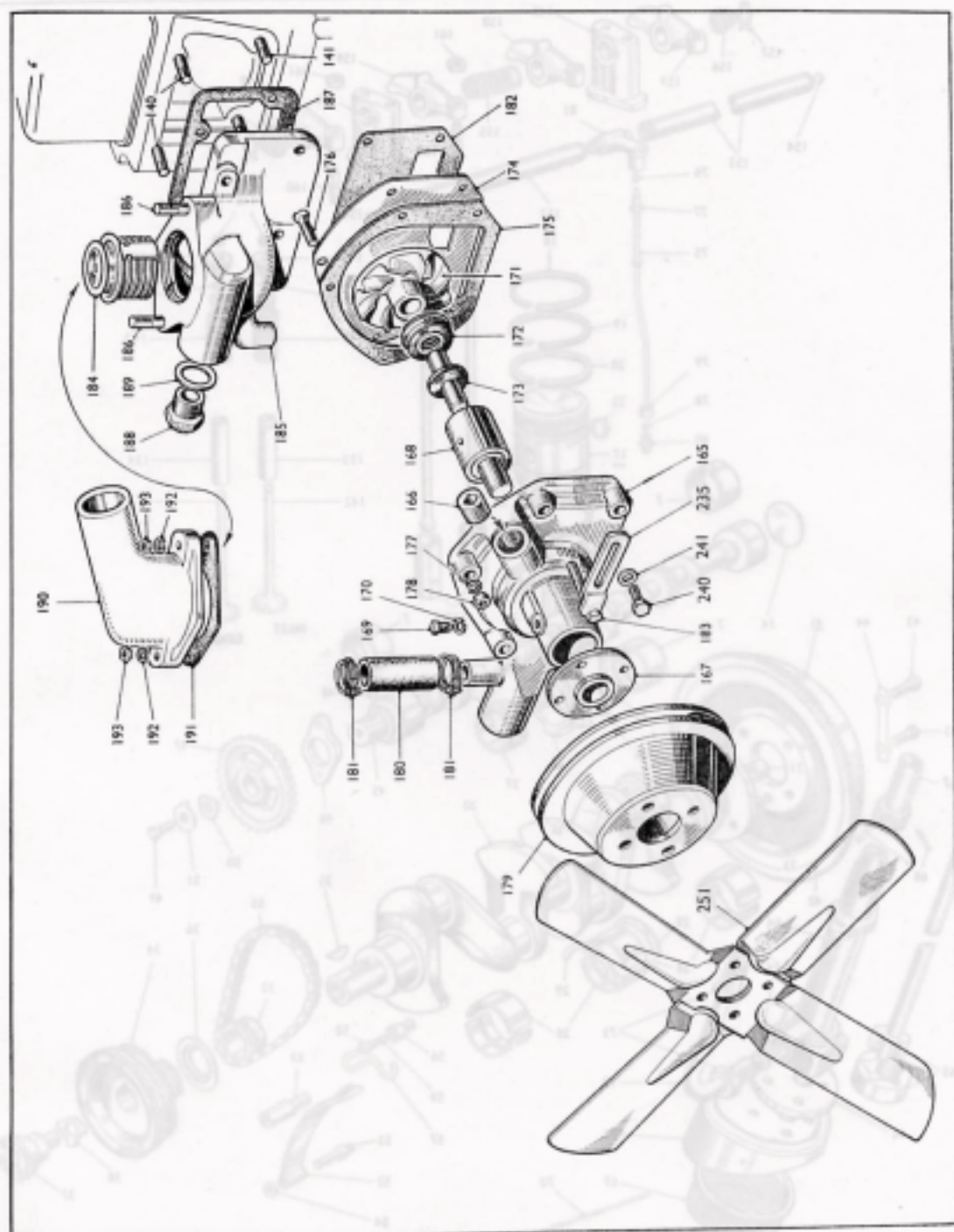


PLATE C

ENGINE (Motor) UNIT — PETROL 1494 c.c.

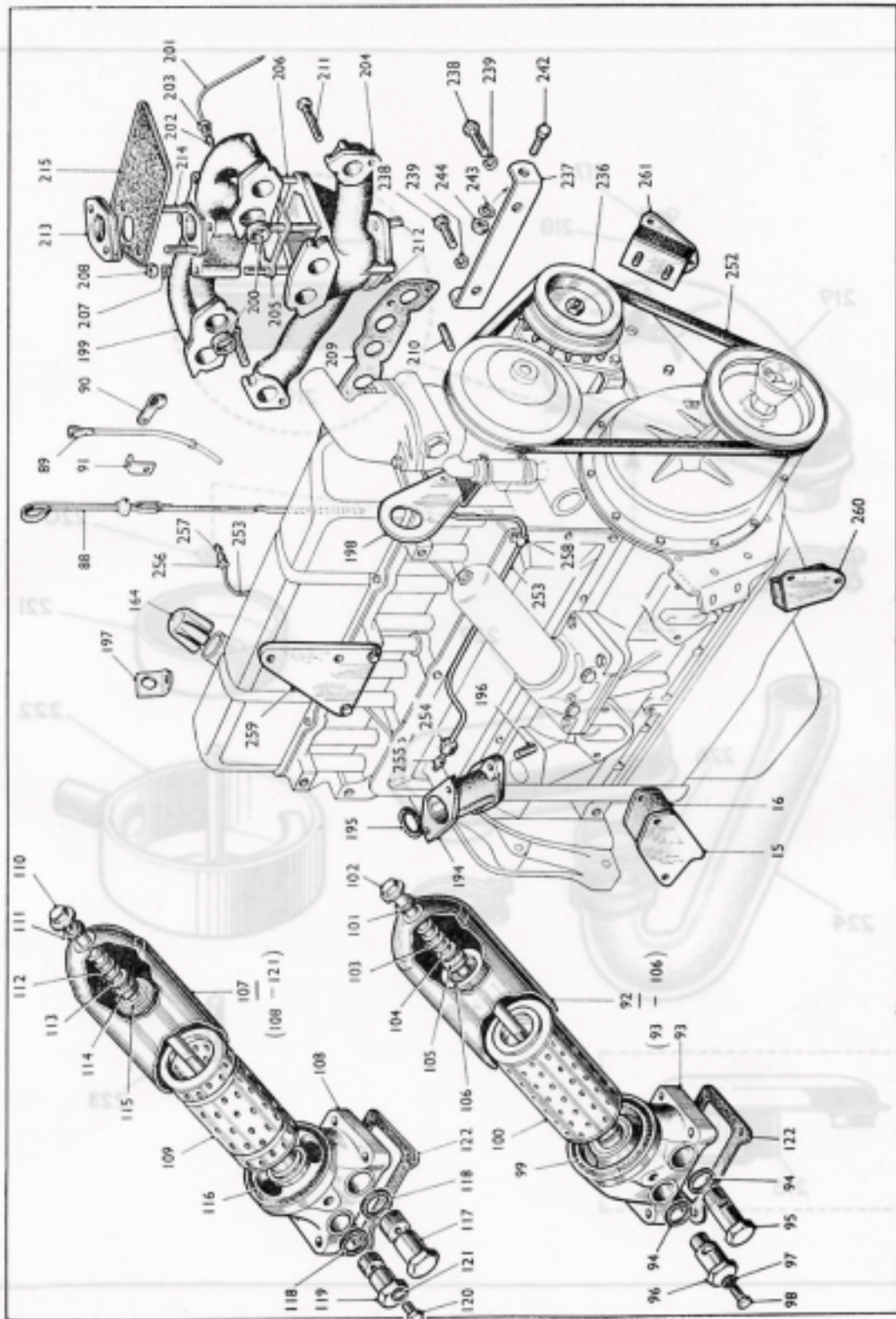


PLATE D

ENGINE (Motor) UNIT—PETROL 1494 c.c.

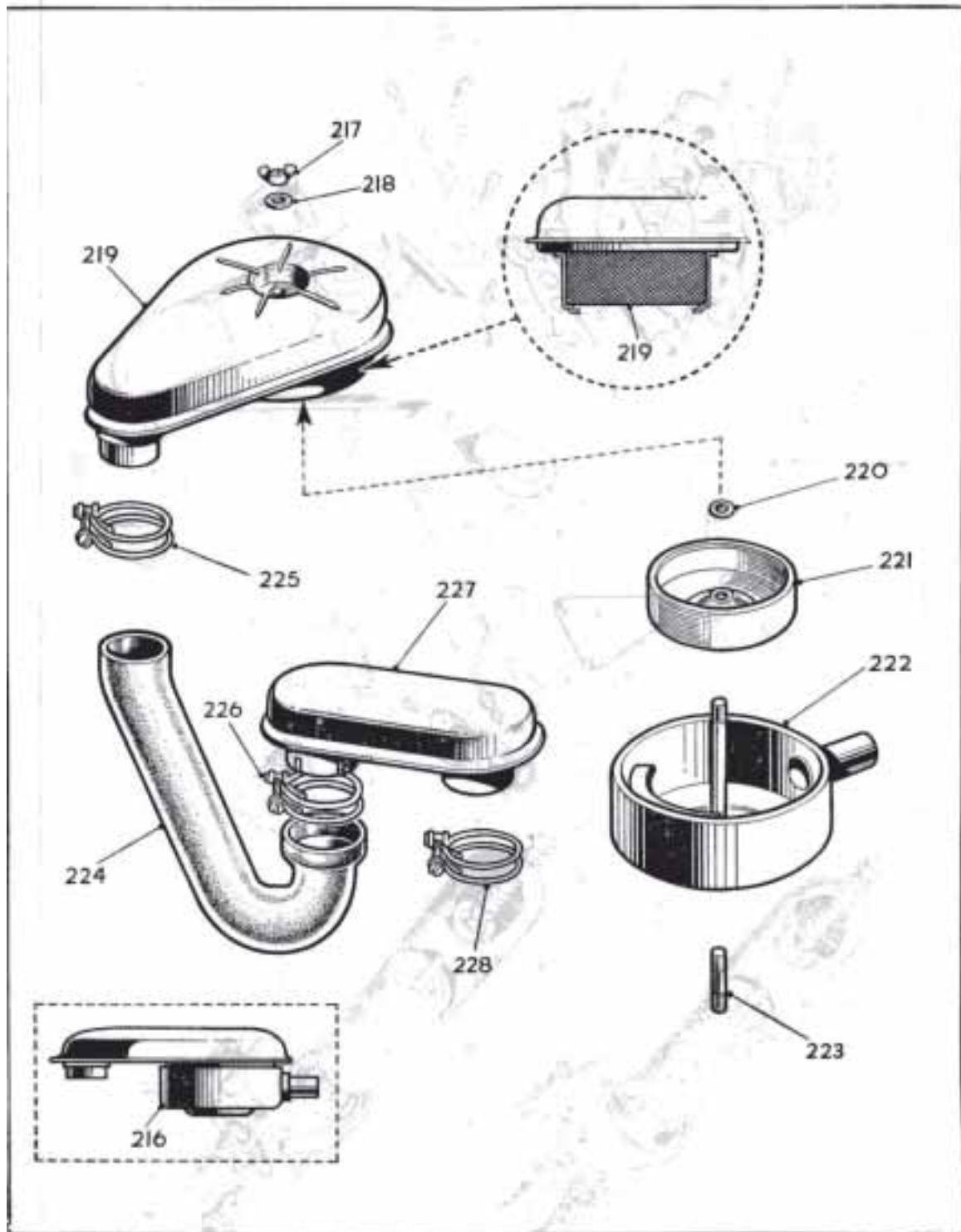


PLATE E

ENGINE (Motor) UNIT — PETROL 1494 c.c.

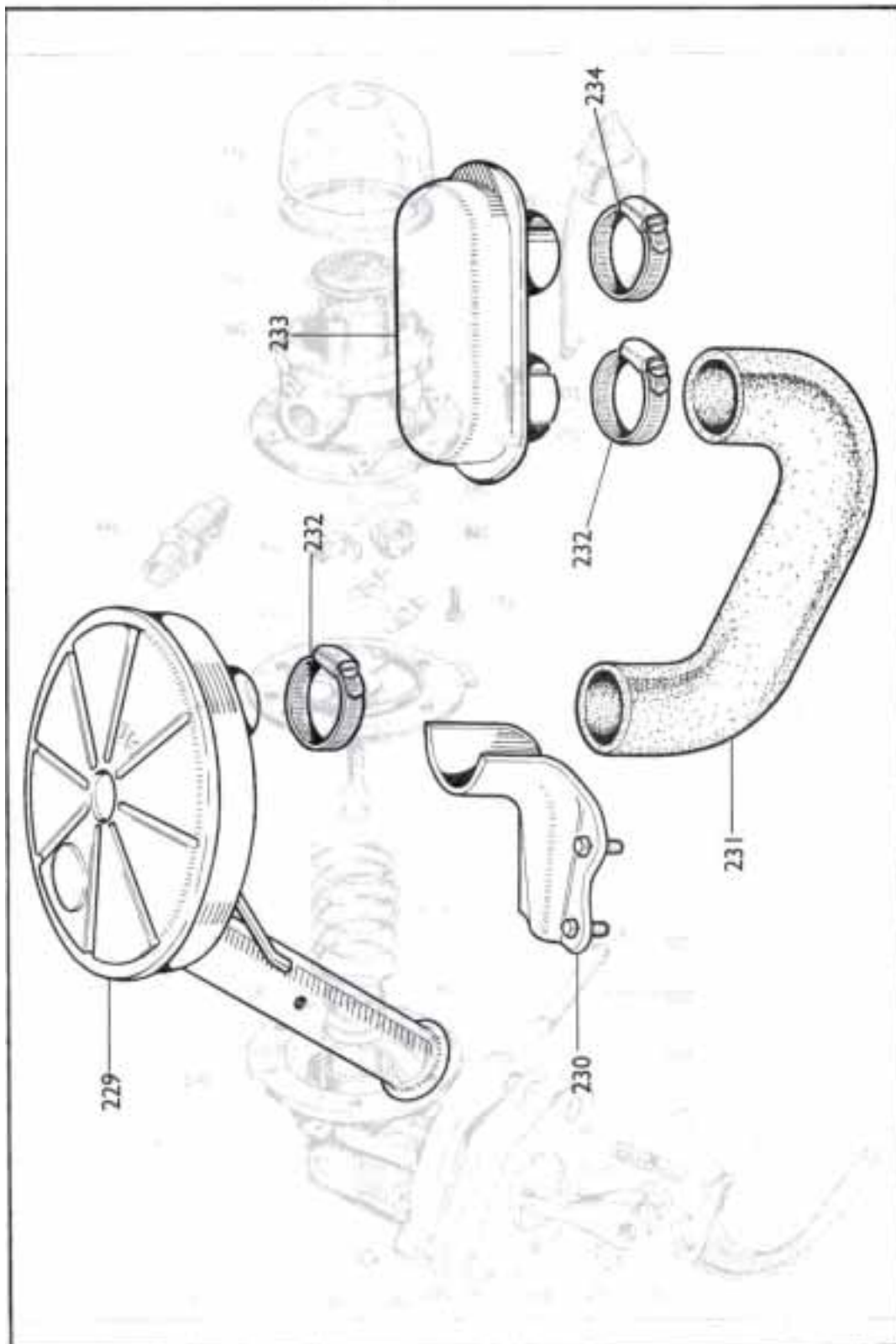


PLATE F

ENGINE (Motor) UNIT — PETROL 1494 c.c.

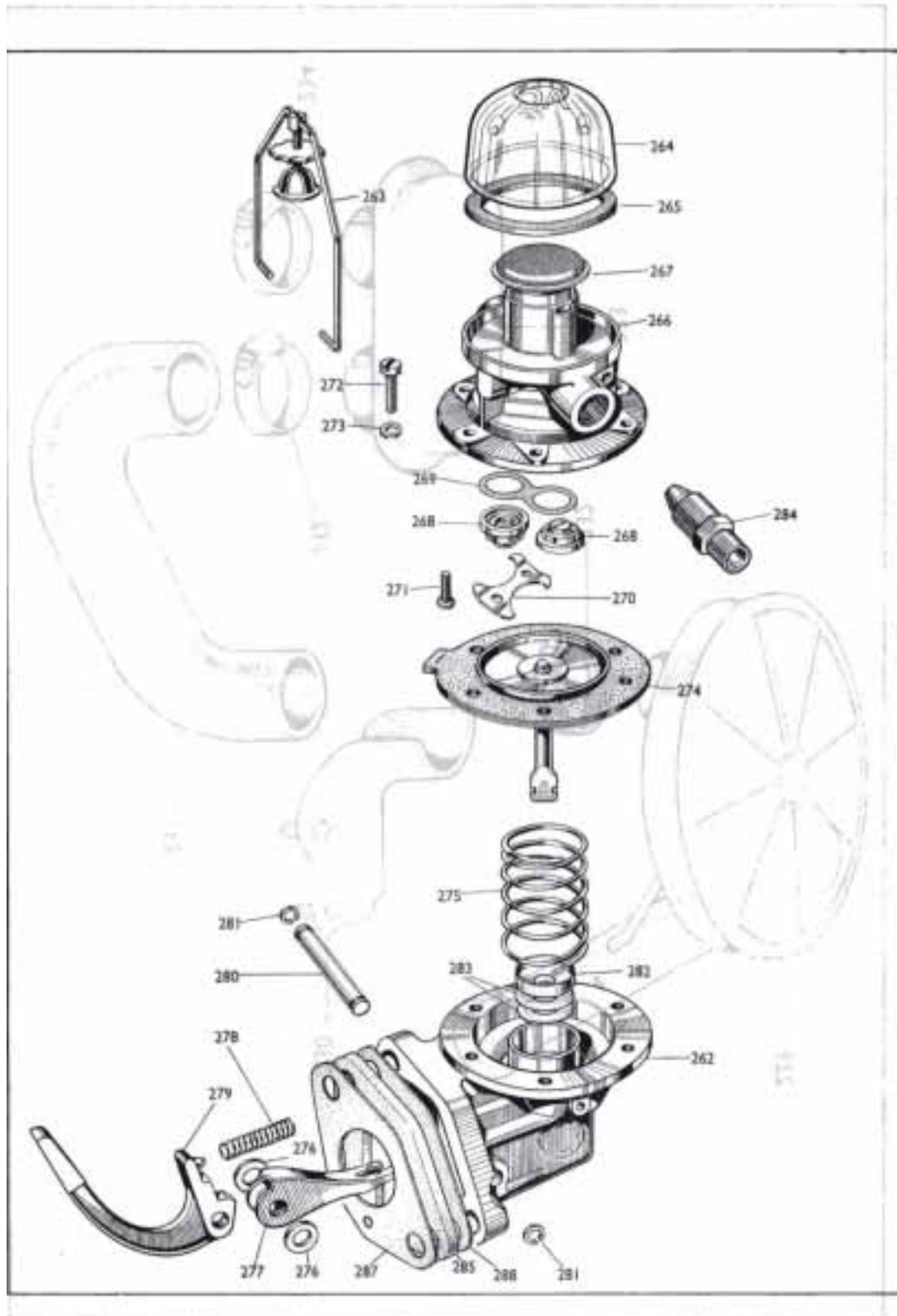


PLATE G

R

ENGINE (Motor) UNIT — PETROL 1494 c.c.

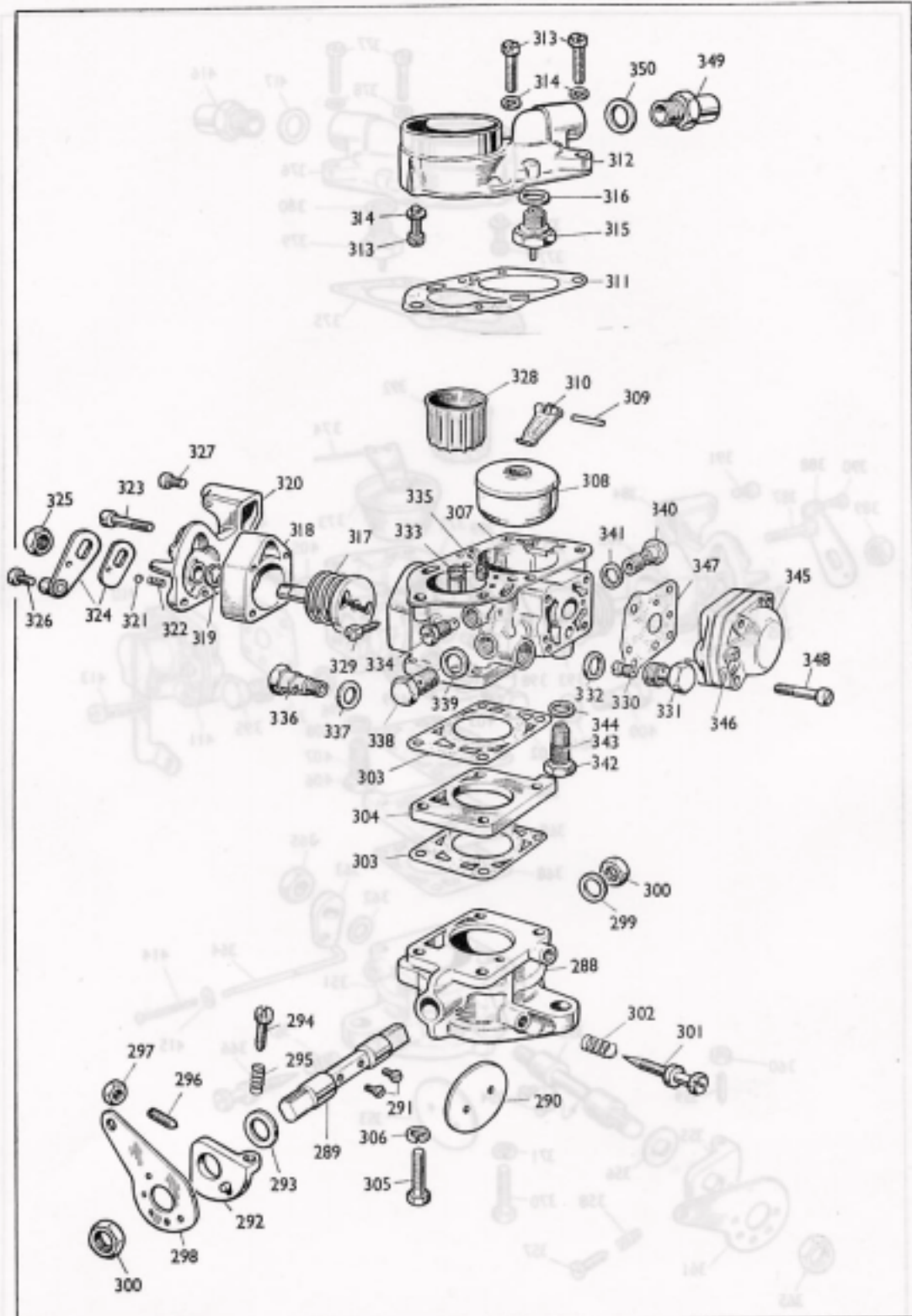


PLATE H

ENGINE (Motor) UNIT — PETROL 1494 c.c.

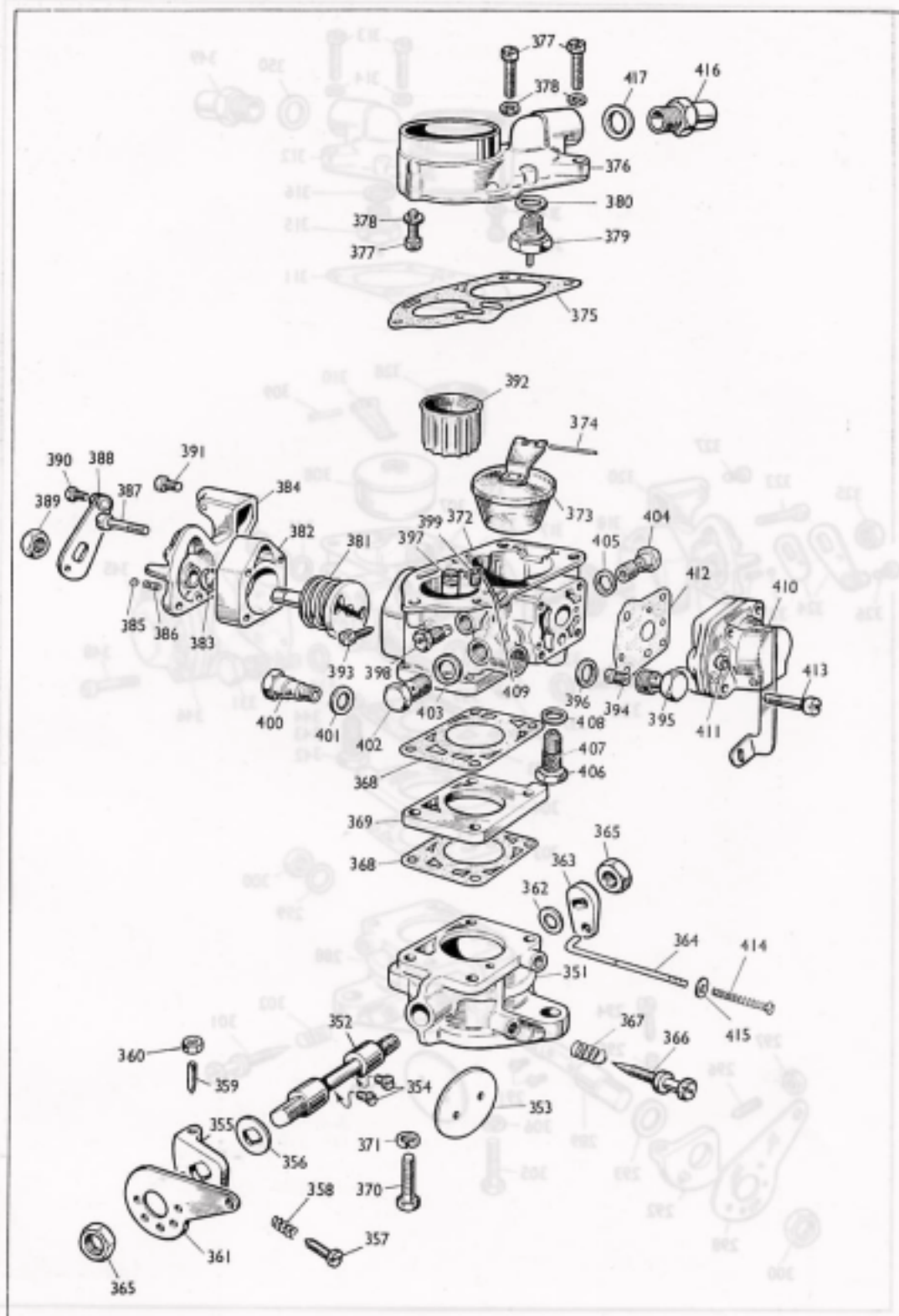


PLATE I

ENGINE (Motor) UNIT—PETROL 1494 c.c.

Plate Ref.	Part Number	DESCRIPTION	No. per Veh.	REMARKS
		Note A. Serial numbers of engines detailed in this section are prefixed "C" (CKD—"CIP")		
	5200292	ENGINE (Motor) UNIT	1	
		Note B. The above Engine (Motor) Unit is less the following: Induction (Intake) Manifold, Exhaust Manifold, Carburettor, Air Cleaner, Dynamo (Generator), Fan and Belt, Ignition Coil, Spark Plugs, Distributor, Starter, Fuel Pump and Clutch Unit. A replacement Engine (Motor) Unit is available in part exchange for the original assembly.		
A1	5220450 (5220964)	CYLINDER BLOCK c/w Bearing Caps	1	
A2	9805480	Plug (Ruster)—1" B.S.P.	1	
A3	9802041	Plug—1" B.S.P. } Core	2	
A4	9077046	Washer—1" copper } Plugs	2	
A5	P.102460 (5220785)	Sealing Cup—1 1/2" dia.	5	
A6	P.103756 (9101841)	Sealing Cup—1 1/2" dia.	1	
	P.107003 (9101808)	Sealing Plug—Dipstick Hole	1	
B7	P.48510	Bearing—Camshaft	2	
A8	9805031	Plug—1" B.S.P. } Oil	2	
A9	9800210	Plug—Special } Ways	2	
A10	9003093	Bolt—Front—5/8" UNF. x 3 1/2"	2	
A11	19107203	Bolt—Centre and Rear—5/8" UNF. x 2 1/2"	4	
A12	9067046	Washer—2" plain } Bearings	2	
A13	9600281	Washer—5/8" spring } Bearings	4	
B14	9809140	Sealing Disc—Camshaft—2 1/2" dia.	1	} Not fitted in original assembly—Service replacement only
	P.118812	Cylinder Liner	4	
D15	P.106950	Blanking Plate—Petrol Pump Aperture	1	
D16	P.106890	Gasket	1	
	19305051	Screw—5/8" UNF. x 1"	2	
	9661201	Washer—5/8" spring	2	
B17	5104513	PISTON ASSEMBLY (Standard Grade A)	4	
	5104514	Piston Assembly (Standard Grade B)	4	
	5104515	Piston Assembly (Standard Grade C)	4	
	5104516	Piston Assembly (Standard Grade D)	4	
	5104517	Piston Assembly (Standard Grade E)	4	
	5104518	Piston Assembly (Standard Grade F)	4	
	5104519	Piston Assembly (.005" Oversize)	4	
	5104523	Piston Assembly (.020" Oversize)	4	
	5104531	Piston Assembly (.040" Oversize)	4	
B18	5105705	Compression Ring (Standard)	4	
	5105706	Compression Ring (.005" Oversize) } Top	4	
	5105707	Compression Ring (.020" Oversize) } Groove	4	
	5105708	Compression Ring (.040" Oversize) } Groove	4	
B19	5105712	Compression Ring—Tapered (Standard)	4	
	5105713	Compression Ring—Tapered (.005" Oversize) } 2nd	4	
	5105714	Compression Ring—Tapered (.020" Oversize) } Groove	4	
	5105715	Compression Ring—Tapered (.040" Oversize) } Groove	4	
B20	5105719	Piston Ring—Scraper (Standard)	8	
	5105720	Piston Ring—Scraper (.005" Oversize) } 3rd and	8	
	5105721	Piston Ring—Scraper (.020" Oversize) } Bottom Grooves	8	
	5105722	Piston Ring—Scraper (.040" Oversize) } Bottom Grooves	8	
B21	5105645	Gudgeon (Piston) Pin (Top Limit)	4	
	5105646	Gudgeon (Piston) Pin (Medium Limit)	4	
	5105647	Gudgeon (Piston) Pin (Bottom Limit)	4	
B22	9204011	Circlip	8	
B23	P.48568	CONNECTING ROD—Low Bearing	4	} Used Prior to Engine No. C10790 and CKD Engine No. CB551
B24	P.103683	Bush—Small End	4	
B25	P.103686	Bolt—Special—5/8" UNF. } Big	8	
B26	9551054	Nut—Nylor—5/8" UNF. } End	8	

ENGINE (Motor) UNIT—PETROL 1494 c.c.

Plate Ref.	Part Number	DESCRIPTION	No. per Veh.	REMARKS
		ENGINE (Motor) UNIT—continued		
B27	5109550	Connecting Rod Big End Bearing—Set (Standard)	8lvs.	Used Prior to Engine No. C10790 and CKD Engine No. CB551
	5109551	Connecting Rod Big End Bearing—Set (.020" Undersize)	8lvs.	
	5109552	Connecting Rod Big End Bearing—Set (.040" Undersize)	8lvs.	
	5109553	Connecting Rod Big End Bearing—Set (.060" Undersize)	8lvs.	
	1207080	Connecting Rod—Less Bearing	4	Used on and After Engine No. C10790 and CKD Engine No. CB551
	P.103683	Bush—Small End	4	
	1206884	Bolt—Special— $\frac{1}{4}$ " UNF. } Big	8	
	9054026	Nut—Nylor— $\frac{1}{4}$ " UNF. } End	8	
	5109395 (5112014)	Connecting Rod Big End Bearing—Set (Standard)	8lvs.	
	5109396 (5112015)	Connecting Rod Big End Bearing—Set (.020" Undersize)	8lvs.	
	5109397 (5112016)	Connecting Rod Big End Bearing—Set (.040" Undersize)	8lvs.	
	5109398 (5112017)	Connecting Rod Big End Bearing—Set (.060" Undersize)	8lvs.	
B28	5109534	MAIN BEARING—SET (Standard)	6lvs.	
	5109535	Main Bearing—Set (.020" Undersize)	6lvs.	
	5109536	Main Bearing—Set (.040" Undersize)	6lvs.	
	5109537	Main Bearing—Set (.060" Undersize)	6lvs.	
B29	5109546 (5112972)	Thrust Washer—Set (Standard) } Main	2lvs.	
	5109547 (5112973)	Thrust Washer—Set (.005" Oversize) } Bearing	2lvs.	
B30	5105768	CRANKSHAFT ASSEMBLY (Standard)	1	Used Prior to Engine No. C10790 and CKD Engine No. CB551
	5105769	Crankshaft Assembly (.020" Undersize) ... Not supplied	1	
	5105770	Crankshaft Assembly (.040" Undersize) ... Not supplied	1	
	5105771	Crankshaft Assembly (.060" Undersize) ... Not supplied	1	
	5109961 (5220834)	Crankshaft Assembly (Standard)	1	Used on and after Engine No. C10790 and CKD Engine No. CB551
	5109962	Crankshaft Assembly (.020" Undersize) ... Not supplied	1	
	5109963	Crankshaft Assembly (.040" Undersize) ... Not supplied	1	
	5019964	Crankshaft Assembly (.060" Undersize) ... Not supplied	1	
B31	P.35401 (9200046)	Bush—Stemwheel Note. Undersize Crankshafts are supplied in part exchange for the original assemblies only.	1	
B32	P.103609 (1228027)	Timing Wheel (Sprocket)	1	Introduced on and after Engine No. C12854 and CKD CB626
B33	P.53751 (9146141)	Dowel—Flywheel	1	
B34	1201125	Crankshaft Fan Pulley	1	
B35	9213031	Key—Timing Wheel and Crankshaft Pulley	1	
B36	P.103610	Oil Thrower	1	
B37	P.103766	Starting Jaw	1	
B38	1202443	Washer—Starting Jaw	1	
	1208868	Washer—Starting Jaw	1	
A39	1207042	ENGINE (Motor) SUPPORT PLATE—Front	1	
A40	P.103612	Gasket	1	
	19505051	Screw— $\frac{1}{4}$ " UNF. \times $\frac{1}{2}$ " } Support Plate to	3	
	9661201	Washer— $\frac{1}{8}$ " spring } Cylinder Block	3	
B41	P.106976 (1206876)	FLYWHEEL AND STARTER RING (Gear) Note. A replacement Flywheel and Starter Ring (Gear) are available in part exchange for the original unit.	1	
B42	P.103618	Starter Ring (Gear)	1	See Cylinder Block Page 11 for Camshaft Bearings
B43	19506073	Bolt— $\frac{1}{2}$ " UNF. \times $\frac{1}{2}$ " } Flywheel to	4	
B44	P.103620	Lockplate } Crankshaft	2	
B45	P.113395 (1208794)	CAMSHAFT	1	
B46	P.118772	Thrust Plate	1	
B47	P.112147	Timing Wheel (Sprocket)	1	
B48	9213008	Timing Wheel Key	1	
B49	19506061	Bolt— $\frac{1}{2}$ " UNC. \times $\frac{1}{2}$ " } Timing Wheel to Camshaft	1	
B50	9096046	Retaining Washer	1	
B51	P.55844	Washer—Special	1	
	19504051	Screw— $\frac{1}{4}$ " UNF. \times $\frac{1}{2}$ " } Thrust Plate to	2	
	9661161	Washer— $\frac{1}{8}$ " spring } Cylinder Block	2	

ENGINE (Motor) UNIT — PETROL 1494 c.c.

Plate Ref.	Part Number	DESCRIPTION	No. per Veh.	REMARKS
		ENGINE (Motor) UNIT—continued		
B52	P.106923	Timing Chain Tensioner Blade	1	
B53	P.103732	Pivot Pin ... } Chain Tensioner Blade	1	
B54	9067014	Washer— $\frac{1}{2}$ " plain } to Cylinder Block	1	
B55	P.22296 (9226040)	TIMING CHAIN	1	
B56	P.103854 (9151405)	Adaptor—Oil Jet Pipe	1	} Used Prior to Engine No. C12109 and CKD-CB626
B57	P.114230 (1208782)	OIL JET PIPE	1	
	1208783	Adaptor—Oil Jet Pipe	1	} Used on and after Engine No. C12109 and CKD CB626
	1208784	Spring	1	
	9187001	Ball	1	
	1208782	Oil Jet Pipe	1	
B58	9156501	Retainer Nut— $\frac{1}{2}$ " UNF. } Oil Jet	1	
B59	9157100	Olive ... } Pipe	1	
A60	1207079	TIMING COVER	1	
A61	P.103667	Gasket	1	
	19505061	Screw— $\frac{3}{8}$ " UNF. \times $\frac{1}{2}$ "	8	
	19505071	Screw— $\frac{3}{8}$ " UNF. \times $\frac{1}{2}$ " ... } Timing Cover to	1	
	9660201	Washer— $\frac{3}{8}$ " spring ... } Cylinder Block	9	
A62	P.65236 (9087076)	Collar—Timing Cover Screw	1	
B63	P.106997	Pillar Stud	1	
	19505051	Bolt— $\frac{3}{8}$ " UNF.	3	
	19505081	Bolt— $\frac{3}{8}$ " UNF. \times $\frac{1}{2}$ "	1	
	9661201	Washer— $\frac{3}{8}$ " spring ... } Timing Cover to Front Plate	5	
	9510050	Nut— $\frac{3}{8}$ " UNF.	5	
	19504041	Screw— $\frac{1}{2}$ " UNF. \times $\frac{1}{4}$ "	1	
	9078008	Washer— $\frac{1}{2}$ " fibre	1	
B64-71	P.107855 (1206988)	OIL PUMP	1	
	1206988	Oil pump	1	
		Note. A replacement Oil Pump is available in part exchange for the original unit.		
B64		Oil Pump Body	1	} Not supplied } Used prior to Engine No. C6032
B65	P.48554	Driving Spindle c/w Rotor and Vane	1	
	5220340	Driving Spindle c/w Rotor and Vane	1	} Used on and after Engine No. C6032
B66	P.103673	Cover Plate	1	
	19604051	Screw— $\frac{1}{2}$ " UNC. \times $\frac{1}{4}$ " ... } Cover Plate	4	
	9661161	Washer— $\frac{1}{2}$ " spring ... } to Pump	4	
B67	P.107853	Driving Pinion	1	
B68	P.41587 (9146020)	Pin—Pinion to Shaft	2	
B69	P.107024	Filter	1	
B70	P.107025	Retainer—Filter	1	
B71	P.107023	Filter Cover	1	
	19505071	Screw— $\frac{3}{8}$ " UNF. \times $\frac{1}{4}$ " ... } Oil Pump to	2	
	9661201	Washer— $\frac{3}{8}$ " spring ... } Cylinder Block	2	
B72	P.48512	OIL PIPE—Pump to Cylinder Block	1	} Used prior to Engine No. C6032
B73	9156551	Nut— $\frac{1}{2}$ " B.S.P. } Oil	2	
B74	9157113	Olive ... } Pipe	2	
	1206897	Oil Pipe—Pump to Cylinder Block	1	} Used on and after Engine No. C6032
	9156551	Nut— $\frac{1}{2}$ " B.S.P. } Oil	1	
	9157113	Olive ... } Pipe	1	
	9156551	Nut— $\frac{1}{2}$ " B.S.P. } Oil	1	
	9157113	Olive ... } Pipe	1	
B75	P.48516	OIL PIPE—Rocker Oil Feed	1	
B76	9157102	Olive ... } Cylinder Block	1	
B77	9156506	Nut— $\frac{3}{8}$ " UNF. } End	1	

ENGINE (Motor) UNIT — PETROL 1494 c.c.

Plate Ref.	Part Number	DESCRIPTION	No. per Veh.	REMARKS
		ENGINE (Motor) UNIT—continued		
B78	9157102	Olive ...	1	
B79	9156051	Nut— $\frac{1}{8}$ " UNF. ...	1	
B80	9151200	Union—Cylinder Block ...	1	
B81	P.103734	Adaptor—Rocker Shaft ...	1	
A82	1210004 (1224266)	SUMP (Oil Pan) ...	1	See Note 1—Page 17
A83	9802041	Drain Plug— $\frac{1}{4}$ " B.S.P. ...	1	
A84	9077616	Washer— $\frac{1}{2}$ " Drain Plug ...	1	
A85	P.103871 (5220944)	Gasket—O.S. (R.H.) ...	1	Used Prior to Engine No. CS501
A86	P.103872 (5220944)	Gasket—N.S. (L.H.) ...	1	
	9003029	Screw— $\frac{1}{4}$ " UNF. \times $\frac{3}{8}$ " ...	18	
	P.103871 (5220944)	Gasket—O.S. (R.H.) ...	1	Used on and after Engine No. CS501
	P.103872 (5220944)	Gasket—N.S. (L.H.) ...	1	
	9003029	Screw— $\frac{1}{4}$ " UNF. \times $\frac{3}{8}$ " ...	14	
	19504061	Screw— $\frac{1}{4}$ " UNF. \times $\frac{1}{2}$ " ...	4	
	9067015	Washer— $\frac{1}{2}$ " plain ...	4	
A87	5220588	Gasket—Sump Ends and Bearing Caps ...	2	
D88	1206850	DIPSTICK (Oil Level)—SUMP (Oil Pan) ...	1	
D89	1202686	Dipstick Extension Tube ...	1	
D90	9176033	Clip—Dipstick Tube ...	1	
	19504041	Screw— $\frac{1}{4}$ " UNF. \times $\frac{1}{2}$ " ...	1	
	9510040	Nut— $\frac{1}{4}$ " UNF. ...	1	
	9607015	Washer— $\frac{1}{2}$ " plain ...	2	
D91	1201090	Steady—Dipstick Clip to Exhaust Branch ...	1	
	19504041	Screw— $\frac{1}{4}$ " UNF. \times $\frac{1}{2}$ " ...	1	
	9510040	Nut— $\frac{1}{4}$ " UNF. ...	1	
	9067015	Washer— $\frac{1}{2}$ " UNF. ...	1	
D92	1206796 (1218347)	OIL FILTER UNIT ... Tecalemit	1	
D93	K.25351	Filter Base c/w Tube ...	1	
D94	P.43848	Washer—Valves ...	2	
D95	P.114247	Relief Valve ...	1	
D96	K.24582	Balance Valve ...	1	
D97	P.49339	Washer—Plug ...	1	
D98	9803013	Plug ...	1	
D99	9122174	Sealing Ring ...	1	Used prior to Engine No. CS518
D100	K.24477	ELEMENT ...	1	
D101	9122107	Washer—Centre Bolt ...	1	
D102	K.24587	Centre Bolt ...	1	
D103	K.24588	Spring } Centre ...	1	
D104	9067289	Washer } Bolt ...	1	
D105	P.101298 (5030224)	Washer—Felt ...	1	
D106	K.24591	Plate—Pressure ...	1	
	K.24592	Circlip ...	1	
	1206796 (1218347)	OIL FILTER UNIT ... Tecalemit	1	See Note 2—Page 17
	5037925	Filter Head Assembly ...	1	
		Centre Tube ...	1	Not supplied
	5037926	Piston Relief Valve ...	1	
	5037927	Spring—Relief Valve ...	1	
	5037928	Cap—Relief Valve ...	1	
	9122127	Washer—Cap ...	1	
	9187012	Ball Balance Valve ...	1	
	5037929	Spring—Balance Valve ...	1	Used on and after Engine No. CS518
	5037930	Cap—Balance Valve ...	1	
	9122127	Washer—Cap ...	1	
	K.24477	ELEMENT ...	1	
	5037931	Centre Bolt Assembly ...	1	
	9122211	Washer—Centre Bolt ...	1	
		Container ...	1	Not supplied

ENGINE (Motor) UNIT — PETROL 1494 c.c.

Plate Ref.	Part Number	DESCRIPTION	No. per Veh.	REMARKS
		ENGINE (Motor) UNIT—continued		
	5037932	Spring	1	Used on and after Engine No. C5518
	9067435	Washer	1	
	9122210	Washer—Sealing	1	
	K.24591	Pressure Plate	1	
	P.49349	Circlip	1	
	9122174	Sealing Ring—Container	1	
	9803047	Plug—Drain	1	
	9077014	Washer—Plug	1	
		OIL FILTER UNIT Fram		Not supplied—For replacement of complete Filter use 1206796
D107		Filter Base c/w Tube	1	
D108	K.25352 (1218347)	ELEMENT	1	
D109	K.24477	Centre Bolt	1	
D110	K.24543	Gasket—Fibre—Centre Bolt	1	
D111	9078032	Spring—Element	1	
D112	K.24545	Washer—Centre Bolt	1	
D113	K.24546	Oil Seal—Bottom Plate	1	
D114	9122102	Bottom Location Plate	1	
D115	K.24548	Circlip—Centre Bolt	1	
	K.24549 (9206544)	Sealing Ring	1	
D116	9122174	Balance Valve	2	
D117	K.25353	Gasket—Valve	2	
D118	9122126	Relief Valve	1	
D119	K.24555	Drain Plug— $\frac{1}{8}$ " UNF. \times $\frac{1}{4}$ "	1	
D120	19507061	Gasket—Drain Plug	1	
D121	9078020	Gasket	1	
D122	1207973	Screw— $\frac{1}{8}$ " UNF. \times $1\frac{1}{4}$ "	4	Filter to Cylinder Block
	19505101	Washer— $\frac{1}{8}$ " spring	4	
	9661201	Washer— $\frac{1}{8}$ " plain	4	
	9067022	TAPPET (Valve Lifter) COVER	1	
A123	P.111850	Gasket	1	Cover to Cylinder Block
A124	P.103740	Screw— 1 " UNF. \times $\frac{1}{2}$ "	13	
	19504041	Washer— 1 " plain	13	
	9067015	CYLINDER HEAD	1	
A125	P.48598	Plug— 1 " B.S.P.	1	Not required when Heater fitted
A126	9805031			
A127	P.103721	Water Jet—Front	1	Early Models only
A128	P.103720	Water Jet—Centre	1	
A129	P.103719	Water Jet—Intermediate and Rear	2	
A130	P.103754 (1218451)	Tube—Push Rod	8	
A131	P.103754 (1218451)	Tube—Rocker Oil Feed	1	
A132	P.103693 (9101848)	Sealing Cup— $1\frac{1}{2}$ " dia.	1	
B133	5105616	Valve Guide (Standard)	4	Inlet (Intake)
	5105617 (5114667)	Valve Guide (.001" Oversize)	4	
	5105618	Valve Guide (.003" Oversize)	4	
B134	5105653 (5114671)	Valve Guide (Standard)	4	Exhaust
	5105654	Valve Guide (.001" Oversize)	4	
	5105655	Valve Guide (.003" Oversize)	4	
		ADD: Following Part Number 5105655 "Valve Guide—Exhaust"		
	5105685	Valve Seat Insert—Exhaust—Standard Size	4	Service Use only
	5105686	Valve Seat Insert—Exhaust—.002" Oversize	4	
	5105687	Valve Seat Insert—Exhaust—.005" Oversize	4	
	5105688	Valve Seat Insert—Exhaust—.010" Oversize	4	
B142A	P.103745 (1218593)	EXHAUST VALVE	4	
B143	P.48523	Valve Spring—Inner and Outer	8	

ENGINE (Motor) UNIT—PETROL 1494 c.c.

Plate Ref.	Part Number	DESCRIPTION	No. per Veh.	REMARKS	
		ENGINE (Motor) UNIT—continued			
B144	9107016	Sealing Ring	8		
B145	1206787	Valve Cup	8		
B146	P.84642 (5220327)	Valve Spring Cotter	8		
B147	1202187 (5112225)	TAPPET (Valve Lifter)	8		
B148	P.114228	Push Rod	8		
B149	P.106984	ROCKER SHAFT CARRIER	4		
A150	19105211	Bolt— $\frac{1}{2}$ " UNF. \times 2 $\frac{1}{2}$ "	8	} Carrier to	
A151	9067022	Washer— $\frac{1}{8}$ " plain	8		} Cylinder Head
B152	P.48515	ROCKER SHAFT—FRONT	1		
B153	P.48528	Rocker Shaft—Rear	1		
B154	P.88036 (9101807)	Plug—Rocker Shaft Ends	2		
B155	P.103637	Rocker Shaft Spring	2		
B156	P.103638	Rocker Shaft Spring—Outer	4		
B157	P.103912	Spring Retaining Clip	4		
B158	1206848	ROCKER—Nos. 1, 3, 5 and 7	4		
B159	1206847	Rocker—Nos. 2, 4, 6 and 8	4		
B160	P.103812	Adjusting Screw	8	} Used prior to Engine No. C9562, CKD-CB485	
B161	9520050	Locknut— $\frac{1}{2}$ " UNF.	8		
	P.118879	Adjusting Screw	8	} From Engine No. C9562, CKD-CB485	
	9520050	Locknut— $\frac{1}{2}$ " UNF.	8		
A162	1201092	ROCKER COVER	1		
A163	P.106897	Rocker Cover Gasket	1		
	3930383	Screw—No. 10 UNF. \times $\frac{1}{2}$ "	4	} Rocker Cover to	
	9663122	Washer— $\frac{1}{8}$ " shakeproof	4		} Cylinder Head
	9067012	Washer— $\frac{1}{8}$ " plain	4		
D164	P.115105	Oil Filler Cap Assembly	1		
	P.106963	WATER PUMP UNIT	1		
		Note. A replacement Water Pump is available in part exchange for the original unit.			
C165	P.103627	Impeller Body	1		
C166	9805031	Plug—Heater Connection	1		
C167	P.114229 (1214677)	Fan Pulley Centre	1		
C168	P.84837 (9198900)	*Bearing Unit	1		
C169	P.103640	*Screw—1" UNF. \times 1"—Special	1	} Bearing Unit	
C170	9661161	*Washer—1" spring	1		
C171	P.103641	*Impeller	1		
C172	P.88825	*Seal Unit	1		
C173	P.88402	*Bearing Unit Throver	1		
C174	P.103642	Cover Plate	1		
C175	P.103646	Cover Plate Gasket	1		
C176	39105243	Screw— $\frac{1}{2}$ " UNF. \times 1 $\frac{1}{2}$ " ckt.	1	} Cover Plate to	
C177	9661201	Washer— $\frac{1}{8}$ " spring	2		
C178	9510050	Nut— $\frac{1}{2}$ " UNF.	2	} Water Pump	
C179		Fan Pulley	1		
		Screw—1" UNF. \times 1"	1	} Fan to Pulley	
		Washer—1" spring	1		
	P.48520	WATER PUMP REPAIR KIT	1	} See Engine (Motor) Auxiliaries—Page 19 Includes items marked *	
C180	9166094	By-pass Hose	1		
C181	9781141	Hose Clip	2		
C182	P.103653	Gasket	1		
C183	19505181	Bolt— $\frac{1}{2}$ " UNF. \times 2 $\frac{1}{2}$ "	1	} Water Pump and Cover Plate to Cylinder Block	
	5220221	Bolt— $\frac{1}{2}$ " UNF. \times 1 $\frac{1}{2}$ "	3		
	9661201	Washer— $\frac{1}{8}$ " spring	3		
	9067023	Washer— $\frac{1}{8}$ " plain	3		
C184	1214652	THERMOSTAT	1	} See Note 5—Page 17	
C185	P.48514 (1218587)	Thermostat Housing Assembly	1		
C186	29806113	Stud—1" UNF. \times 1 $\frac{1}{2}$ "—Outlet Pipe	2		

ENGINE (Motor) UNIT — PETROL 1494 c.c.

Plate Ref.	Part Number	DESCRIPTION	No. per Veh.	REMARKS
		ENGINE (Motor) UNIT—continued		
C187	P.103658	Gasket	1	} See Cylinder Head — Page 15
		Stud	5	
	9661201	Washer— $\frac{3}{8}$ " spring	5	} See Thermostat Housing — Page 16
	9510050	Nut— $\frac{3}{8}$ " UNF.	5	
C188	9801642	Plug—No. 18 UNF. $\times \frac{1}{2}$ "	1	
C189	9078031	Washer— $\frac{1}{2}$ " fibre	1	
C190	1202680	WATER OUTLET PIPE	1	
C191	P.116888	Gasket	1	
		Stud	2	
C192	9661241	Washer— $\frac{1}{2}$ " spring	2	
C193	9510060	Nut— $\frac{1}{2}$ " UNF.	2	
D194	P.103633	DISTRIBUTOR DRIVE BRACKET	1	
D195	9107066	Distributor Bracket Oil Seal	1	
D196	29705113	Stud— $\frac{3}{8}$ " UNF. $\times 1\frac{1}{2}$ "	2	
	9661201	Washer— $\frac{3}{8}$ " spring	2	
	9510050	Nut— $\frac{3}{8}$ " UNF.	2	
D197	1200338 (1214554)	Lifting Bracket	1	
D198	P.103849 (1214765)	Slings Eye	1	
	9067037	Washer— $\frac{1}{2}$ " plain	1	
	9029145	Nut— $\frac{1}{2}$ " UNF.—Special	1	
		Note 1. Modified Sump 1210004 introduced to replace Sump P.103870 (Not Listed) and to accommodate larger capacity Oil Pump		
		Note 2. The Oil Filter Unit Part No. 1206796 when associated with Tecalemit No. FA.2704 was used on early vehicles up to Engine No. C5518. When associated with Tecalemit No. FA.2743 was used on later vehicles, on and after Engine No. C5518.		
		Note 3. Wax Type Thermostat 1214652 replaces Bellows type Thermostat P.117466 (Not Listed).		

ENGINE (Motor) AUXILIARIES — PETROL 1494 c.c.

Plate Ref.	Part Number	DESCRIPTION	No. per Veh.	REMARKS
		ENGINE (Motor) AUXILIARIES		
		Note. The following parts are not supplied with the Engine (Motor) Unit.		
		TOP OVERHAUL GASKET SET	1	See Note 1—Page 23
D199	5200291 (5220498)	INDUCTION (Intake) MANIFOLD	1	
D200	P.103714 (1218691)	Locking Ring } Induction	2	
D201	P.47665	Drain Pipe } Manifold	1	
D202	9157104	Olive ... } Drain	1	
D203	9156515	Nut— $\frac{1}{4}$ " B.S.P. } Pipe	1	
D204	1203346	EXHAUST MANIFOLD	1	
D205	1208757	Gasket (Joint)	1	
D206	29705243	Stud— $\frac{1}{8}$ " UNF. \times 3" } Induction to	4	
D207	9067023	Washer— $\frac{1}{8}$ " plain } Exhaust Manifold	4	
D208	9510053	Nut— $\frac{1}{8}$ " UNF. }	4	
D209	P.107822	Gasket (Joint)	1	
D210	29705133	Stud— $\frac{1}{8}$ " UNF. \times 1 $\frac{1}{2}$ " }	4	
D211	19105201	Bolt— $\frac{1}{8}$ " UNF. \times 2 $\frac{1}{2}$ " } Manifolds to Cylinder Head	2	
	9067023	Washer— $\frac{1}{8}$ " plain	6	
	9510050	Nut— $\frac{1}{8}$ " UNF.	4	
D212	29900249	Stud— $\frac{1}{4}$ " UNF. \times 2 $\frac{1}{2}$ " (See also Exhaust Section)—Exhaust Manifold to Exhaust Pipe	2	} See Exhaust System
		Flange }		
		Joint } Exhaust Manifold		
		Nut } to Exhaust Pipe		
		Washer }		
		CARBURETTOR		} See Carburettor—Page 20
D213	P.103781	Gasket (Joint)	1	
D214	29805133	Stud— $\frac{1}{8}$ " UNF./UNC. \times 1 $\frac{1}{2}$ " } Carburettor	2	
D215	1201188	Heat Deflector	2	
	9661201	Washer— $\frac{1}{8}$ " spring	2	
	9510050	Nut— $\frac{1}{8}$ " UNF.	1	
		CONTROLS		
E216	1203457	AIR SILENCER AND CLEANER AC-DeLco	1	} Special Order only— } Home Models. See also } Note 2—Page 23
E217	9023007	Wing Nut	1	
E218	9078077	Washer— $\frac{1}{2}$ " fibre	1	
E219	K.29858	Element and Elbow	1	
E220	K.29859	Element Sealing Gasket (Joint)	1	
E221	5037665	Oil Container	1	
E222	5037664	Silencer Assembly	1	
E223	29705092	Mounting Stud— $\frac{1}{8}$ " UNF. \times 1 $\frac{1}{4}$ "	1	
	9664202	Washer— $\frac{1}{8}$ " shakedown	1	
	9510050	Nut— $\frac{1}{8}$ " UNF.	1	
E224	1203533	Hose—Air Cleaner to Air Box	1	
E225	9782441	Clip—Hose to Air Cleaner	1	
E226	9782381	Clip—Hose to Air Box	1	
E227	1203532	Air Box—Carburettor	1	} Used prior to Chassis } No. 1500/-003350
E228	9780004	Clip—Air Box to Carburettor	1	
F229	1200153	AIR SILENCER AND CLEANER AC-DeLco	1	} See Note 3—Page 23
	9664202	Washer— $\frac{1}{8}$ " shakedown } Air Cleaner	3	
	9510050	Nut— $\frac{1}{8}$ " UNF. } to Body	3	
F230	1205994	Air Cleaner Bracket—Assembly	1	
	9067027	Washer— $\frac{1}{8}$ " plain—Bracket to Body	3	
F231	1205996	Hose—Air Cleaner to Air Box	1	} See Note 3— } Page 23
F232	9782381	Clip—Hose to Air Box	2	

ENGINE (Motor) AUXILIARIES — PETROL 1494 c.c.

Plate Ref.	Part Number	DESCRIPTION	No. per Veh.	REMARKS
		ENGINE (Motor) AUXILIARIES—continued		
F233	1207580	Air Box—Carburettor	1	} Used on and after Chassis No. 15001-003350 See Electrical Equipment
F234	9783341	Clip—Air Box to Carburettor	1	
		DYNAMO (Generator)		
C235	P.112178	Dynamo (Generator) Adjusting Strap	1	
D236	1206838	Dynamo (Generator) Pulley	1	
	1207030	Dynamo (Generator) Pulley Assembly	1	U.S.A. and Canada
D237	1206730	Dynamo (Generator) Support Bracket	1	
D238	19505061	Bolt— $\frac{1}{2}$ " UNF. \times $\frac{1}{2}$ " } Bracket to	2	
D239	9661201	Washer— $\frac{1}{8}$ " spring } Cylinder Block	2	
D240	19605071	Bolt— $\frac{3}{8}$ " UNC. \times $\frac{1}{2}$ " } Dynamo (Generator)	1	
D241	9067027	Washer— $\frac{3}{8}$ " plain } to Adjusting Strap	1	
D242	19505061	Screw— $\frac{3}{8}$ " UNF. \times $\frac{1}{2}$ " } Dynamo (Generator)	2	
D243	9661201	Washer— $\frac{1}{8}$ " spring ... } to	2	
D244	9510050	Nut— $\frac{3}{8}$ " UNF. ... } Support Bracket	2	
		STARTER		See Electrical Equipment
	19106223	Bolt— $\frac{1}{2}$ " UNF. \times $2\frac{1}{2}$ " }	2	
	9661241	Washer— $\frac{1}{2}$ " spring } Starter Motor to Cylinder Block	2	
	9510060	Nut— $\frac{1}{2}$ " UNF. ... }	2	
A245	9214001	ENGINE DRAIN TAP	1	
A246	1200069	Drain Tube c/w Adaptor	1	
A247	9151206	Union	1	
A248	9156058	Nut— $\frac{3}{8}$ " B.S.P. } Drain Tube to Cylinder Block	1	
A249	9157106	Olive ... }	1	
A250	9117043	Grommet—Drain Tube	1	
C251	1201140 (1218376)	FAN BLADE	1	See Note 6—Page 23
	1206843	Fan Pulley	1	
	19504061	Screw— $\frac{1}{2}$ " UNF. \times $\frac{1}{2}$ " } Fan to	4	
	9660161	Washer— $\frac{1}{2}$ " spring } Pulley	4	
D252	1206846	Belt—Fan and Dynamo (Generator)	1	
		DISTRIBUTOR		See Electrical Equipment
		Distributor Bracket		{ See Engine (Motor) Unit— Page 17
	19404051	Bolt— $\frac{1}{2}$ " UNC. \times $\frac{1}{2}$ " ... } Distributor	2	
	9086003	Washer— $\frac{1}{2}$ " double coil spring } to Bracket	2	
D253	1201187	SUCTION PIPE—Distributor Auto Control	1	
D254	9156050	Nut } Distributor	1	
D255	9157100	Olive } End	1	
D256	9156500	Nut } Carburettor	1	
D257	9157100	Olive } End	1	
D258	9176000	Clip—Suction Pipe to Cylinder Block	1	
		IGNITION COIL		See Electrical Equipment
D259	1208861	Ignition Coil Bracket	1	
	19505051	Screw— $\frac{3}{8}$ " UNF. \times $\frac{1}{2}$ " }	2	
	9510050	Nut— $\frac{3}{8}$ " UNF. ... } Coil to	2	
	9067027	Washer— $\frac{3}{8}$ " plain ... } Bracket	2	
	9661201	Washer— $\frac{3}{8}$ " spring ... }	2	
	19505051	Screw— $\frac{3}{8}$ " UNF. \times $\frac{1}{2}$ " }	2	
	9067027	Washer— $\frac{3}{8}$ " plain ... } Coil Bracket to Cylinder Head	2	
	9661201	Washer— $\frac{3}{8}$ " spring ... }	2	
		ENGINE (MOTOR) SUPPORT PLATE—FRONT		{ See Engine (Motor) Unit— Page 12
D260	1202644	Front Support Rubber—O.S. (R.H.)	1	
D261	1202645	Front Support Rubber—N.S. (L.H.)	1	
	9510050	Nut— $\frac{3}{8}$ " UNF. ... }	4	
	9664202	Washer— $\frac{3}{8}$ " lock } Rubber to Support Plate	4	
	9067027	Washer— $\frac{3}{8}$ " plain ... }	4	
	19505061	Bolt— $\frac{3}{8}$ " UNF. \times $\frac{1}{2}$ " ... }	4	
	9067023	Washer— $\frac{3}{8}$ " plain ... } Rubber to Bracket	4	
	9664202	Washer— $\frac{3}{8}$ " shakeproof ... }	4	
		ENGINE (Motor) REAR MOUNTING BRACKET		{ See Gearbox (Transmission) Unit

ENGINE (Motor) AUXILIARIES — PETROL 1494 e.e.

Plate Ref.	Part Number	DESCRIPTION	No. per Veh.	REMARKS
		ENGINE (Motor) AUXILIARIES—continued		
		OIL PRESSURE UNIT		See Electrical Equipment
	P.45432	PETROL (Fuel) PUMP AC-Delco	1	See Note 5—Page 23
G262		Body Assembly		Not supplied
G263	K.19260	Retainer—Filter Cover	1	
G264	K.19256	Glass Bowl	1	
G265	K.19258	Gasket	1	See Note 4—Page 23
G266	K.19262	Cover	1	
G267	K.19257	Filter Gauze	2	
G268	K.19263	Valve	2	See Note 4—Page 23
G269	K.19265	Gasket	1	See Note 4—Page 23
G270	K.19264	Valve Plate	1	
G271	9050095	Valve Screw	2	
G272	39303100	Cover Screw—No. 10 UNF. × ½"	6	
G273	9660121	Washer— $\frac{5}{16}$ " spring	6	
G274	K.21471	Diaphragm	1	See Note 4—Page 23
G275	K.9038 (K.10108)	Spring—Diaphragm	1	
G276	5220199	Washer—Rocker Pin	2	
G277	K.10481	Link	1	
G278	K.9039	Spring—Rocker Arm	1	
G279	K.24494	Rocker Arm	1	
G280	K.9033	Pin—Rocker	1	
G281	5220201	Clip—Rocker Pin	2	
G282	K.20322	Retainer—Oil Seal	1	
G283	K.17853	Washer—Oil Seal	2	
G284	9151211	Inlet and Outlet Union	2	
G285	P.103727	Heat Insulator	1	
G286	P.44994	Joint—Pump to Insulator	1	
G287	P.41602	Joint—Insulator to Block	1	
	29505111	Stud— $\frac{5}{16}$ " UNF. × 1½"	2	
	9661201	Washer— $\frac{5}{16}$ " spring	2	
	9510050	Nut— $\frac{5}{16}$ " UNF.	2	
	K.21463	PETROL (Fuel) PUMP—REPAIR KIT	1	See Note 4—Page 23
		PETROL (Fuel) PIPES		See Petrol (Fuel) System
	1046781 (1800089)	CARBURETTOR ASSEMBLY Solex	1	See Note 2—Page 23
H288	5037920	Throttle Chamber Assembly	1	
H289	K.30017	Throttle Spindle	1	
H290	K.25990	Throttle Butterfly	1	
H291	9050002	Throttle Butterfly Fixing Screw	2	
H292	K.25992	Throttle Abutment Plate	1	
H293	K.26027	Throttle Abutment Plate Distance Washer	1	
H294	K.12599 (5039460)	Throttle Slow Running Adjustment Screw	1	
H295	K.15882 (K.11432)	Throttle Slow Running Adjustment Screw Spring	1	
H296	K.11405 (5039452)	Throttle Stop Screw	1	
H297	9029000	Throttle Stop Screw Nut	1	
H298	1203543	Throttle Lever	1	
H299	L.809 (5200522)	Throttle Lever Distance Washer	1	
H300	K.11445	Throttle Spindle End Nut	2	
H301	5037825	Volume Control Screw	1	
H302	K.15882 (K.11432)	Volume Control Screw Spring	1	
H303	K.25991	Throttle Chamber Gasket	2	
H304	K.30025 (5040300)	Insulating Washer	1	
H305	9050020	Throttle Chamber Fixing Screw	4	
H306	L.765 (5200521)	Throttle Chamber Fixing Screw Washer	4	
H307	5037924	FLOAT CHAMBER COMPLETE	1	
H308	K.25994	Float	1	
H309	K.25995	Float Spindle	1	
H310	K.25996	Float Toggle	1	

ENGINE (Motor) AUXILIARIES — PETROL 1494 c.c.

Plate Ref.	Part Number	DESCRIPTION	No. per Veh.	REMARKS
		ENGINE (Motor) AUXILIARIES—continued		
H311	K.25997	Float Chamber Gasket	1	
H312	K.25998	Float Chamber Cover Assembly	1	
H313	9050018	Float Chamber Assembly Screw	3	
H314	L.765 (5200521)	Float Chamber Assembly Screw Washer	3	
H315	5102561 (5102559)	NEEDLE VALVE ASSEMBLY	1	
H316	K.12555 (9078074)	Needle Valve Washer	1	
H317-327	5037921	STARTER ASSEMBLY	1	
H317	5037922	Starter Valve Assembly	1	
H318		Starter Body		} Not supplied
H319		Circlip		
H320		Starter Cover		
H321	K.12546	Starter Valve Locating Ball	1	
H322	K.12547	Starter Valve Locating Ball Spring	1	
H323	9050009	Starter Body Fixing Screw	4	
H324	5037923	Starter Lever Assembly	1	
H325	K.11445	Starter Spindle End Nut	1	
H326	5037396	Starter Lever Cable Screw	1	
H327	K.12549 (K.12557)	Starter Lever Cable Locking Screw	1	
H328	5108649	CHOKE TUBE	1	
H329	K.11423	Choke Tube Fixing Screw	1	
H330	5102523	MAIN JET	1	
H331	K.13026	Main Jet Carrier Bolt	1	
H332	K.12553	Main Jet Carrier Bolt Washer	1	
H333	5102590	Main Jet Connection Bleed	1	
	5107412	Emulsion Tube	1	
H334	5102487	Auxiliary Jet	1	
H335	5102699	Auxiliary Jet Air Bleed	1	
H336	5102881	Petrol Jet (G.S.)	1	
H337	9078015	Petrol Jet Washer	1	
H338	5102594	Pump Jet	1	
H339	9078015	Pump Jet Washer	1	
H340	K.19650	Economy Jet Blank	1	
H341	9078015	Economy Jet Blank Washer	1	
H342	K.22582	Pump Non-Return Valve	1	
H343	K.22616	Pump Non-Return Valve Filter Gauze	1	
H344	9078015	Pump Non-Return Valve Washer	1	
H345	K.29994	Pump Assembly	1	
H346	L.1828	Pump Cover Fixing Screw	2	
H347	K.29997	Pump Base Washer	1	
H348	9050008	Pump Fixing Screw	4	
H349	9151402	Union	1	
H350	9077078	Washer	1	
	1201167	SUCTION PIPE ASSEMBLY—Carburettor to Distributor	1	
	9156050	Nut } Distributor	1	
	9157100	Olive } End	1	
	9156500	Nut } Carburettor	1	
	9157100	Olive } End	1	
	9176000	Suction Pipe Clip	1	

ENGINE (Motor) AUXILIARIES — PETROL 1494 e.e.

Plate Ref.	Part Number	DESCRIPTION	No. per Veh.	REMARKS	
		ENGINE (Motor) AUXILIARIES—continued			
		CARBURETTOR ASSEMBLY— Solex	1	See Note 3—Page 23	
1351	1800089	THROTTLE CHAMBER ASSEMBLY	1		
1352	K.30017	Throttle Spindle	1		
1353	K.25990	Throttle Butterfly	1		
1354	9050002	Throttle Butterfly Fixing Screw	2		
1355	K.25992	Throttle Abutment Plate	1		
1356	K.26027	Throttle Abutment Plate Distance Washer	1		
1357	K.12599 (5039460)	Throttle Slow Running Adjustment Screw	1		
1358	K.11432	Throttle Slow Running Adjustment Screw Spring	1		
1359	K.11405 (5039452)	Throttle Stop Screw	1		
1360	9029000	Throttle Stop Screw Nut	1		
1361	1203543	Throttle Lever	1		
1362	K.26027	Throttle Lever Distance Washer	1		
1363	5038906	Intermediate Lever	1		
1364	5038538	Pump Control Rod	1		
1365	K.11445	Throttle Spindle End Nut	2		
1366	5037825	Volume Control Screw	1		
1367	K.11432	Volume Control Screw Spring	1		
1368	K.25991	Throttle Chamber Gasket	2		
1369	K.30025 (5040300)	Insulating Washer	1		
1370	9050020	Throttle Chamber Fixing Screw	4		
1371	L.765 (5200521)	Throttle Chamber Fixing Screw Washer	4		
1372	K.30020	FLOAT CHAMBER	1		
1373	K.30024	Floater	1		
1374	K.25995	Floater Spindle	1		
1375	K.25997	Floater Chamber Gasket	1		
1376	K.25998	Floater Chamber Cover Assembly	1		
1377	9050018	Floater Chamber Assembly Screw	3		
1378	L.765 (5200521)	Floater Chamber Assembly Screw Washer	3		
1379	5102558 (5102559)	NEEDLE VALVE ASSEMBLY	1		
1380	9077084	Needle Valve Washer	1		
1381-391	5038907	STARTER ASSEMBLY	1		} Not supplied
1391	5037922	Starter Valve Assembly	1		
1382		Starter Body	1		
1383		Circlip	1		
1384		Starter Cover	1		
1385	K.12546	Starter Valve Locating Ball	1		
1386	K.12547	Starter Valve Locating Ball Spring	1		
1387	9050009	Starter Body Fixing Screw	4		
1388	5038908	Starter Lever Assembly	1		
1389	K.11445	Starter Spindle End Nut	1		
1390	5037396	Starter Lever Cable Screw	1		
1391	K.12549 (K.12557)	Starter Lever Cable Locking Screw	1		
1392	5108649	CHOKE TUBE	1		
1393	K.11423	Choke Tube Fixing Screw	1		
1394	5102525	MAIN JET	1		
1395	K.13026	Main Jet Carrier Bolt	1		
1396	9077071	Main Jet Carrier Bolt Washer	1		
1397	5102588	Main Jet Correction Bleed	1		
	5107412	Emulsion Tube	1		
1398	5102490	Auxiliary Jet	1		
1399	5102099	Auxiliary Jet Air Bleed	1		
1400	5102648 (5102881)	Petrol Jet (G.S.)	1		
1401	9077083	Petrol Jet Washer	1		
1402	5102625	Pump Jet	1		
1403	9077083	Pump Jet Washer	1		
1404	K.19650	Economy Jet Blank	1		
1405	9077083	Economy Jet Blank Washer	1		
1406	K.24512	Pump Bleed Valve	1		

ENGINE (Motor) AUXILIARIES — PETROL 1494 c.c.

Plate Ref.	Part Number	DESCRIPTION	No. per Veh.	REMARKS
		ENGINE (Motor) AUXILIARIES—continued		
1406	K.24512	Pump Bleed Valve	1	
1407	K.22416	Pump Filter Gauge	1	
1408	9077083	Pump Non-Return Valve Washer	1	
1409	5037407	Injector Assembly Tube	1	
	K.21749	Injector Assembly Washer	1	
	K.12569	Injector Assembly Fixing Screw	1	
1410	K.30027	PUMP ASSEMBLY	1	
		Pump Spring	1	Not supplied
1411	9050003	Pump Cover Fixing Screw... ..	2	
1412	K.29997	Pump Base Washer... ..	1	
1413	9050008	Pump Fixing Screw... ..	4	
1414	K.24509 (5040453)	Pump Control Rod Spring	1	
1415	K.22588	Pump Control Rod Washer	1	
1416	9151402	Union	1	
1417	9077078	Washer	1	
	K.26003	Flange Washer	1	
	1201187	SUCTION PIPE ASSEMBLY—Carburettor to Distributor	1	
	9156050	Nut } Distributor... ..	1	
	9157100	Olive } End... ..	1	
	9156500	Nut } Carburettor	1	
	9157100	Olive } End	1	
	9176000	Suction Pipe Clip	1	
	29805131	Stud— $\frac{1}{8}$ " UNF/UNC. $\times 1\frac{1}{2}$ "	2	
	1201188	Heat Deflector... ..	1	
	P.103781	Gasket (Joint)	1	
	9661201	Washer— $\frac{1}{8}$ " spring	2	
	9510050	Nut— $\frac{1}{8}$ " UNF.	2	
		Note 1. Top Overhaul Gasket Set includes: Cylinder Head, Top Water Pipe, Thermostat Housing, Tappet Cover, Rocker Cover, Carburettor, Induction and Exhaust Manifold, Water Pump and Exhaust Pipe Gaskets.		
		Note 2. Applicable to Home Petrol Models prior to Engine No. C9271 and Chassis Nos. 1500-/013788/013831-013833/013844-013846 and all Export Petrol Models.		
		Note 3. Applicable to Standard Home Petrol Models on and after Engine No. C9271, Chassis Nos. 1500-/013788/013831-013833/013844-013846.		
		Note 4. These items included in Repair Kit.		
		Note 5. A replacement Petrol (Fuel) Pump is available in part exchange for the original unit.		
		Note 6. Fan Blade 1201140 is no longer available, customers must order and fit:—		
		1218376 Fan Blade	1	} Locate between pulley and fan
		1218377 Distance Piece	1	
		19104101 Setscrew	4	

ENGINE (Motor) UNIT—PETROL
AND
ENGINE (Motor) AUXILIARIES—PETROL
1592 c.c.

ENGINE (Motor) UNIT — PETROL 1592 c.c.

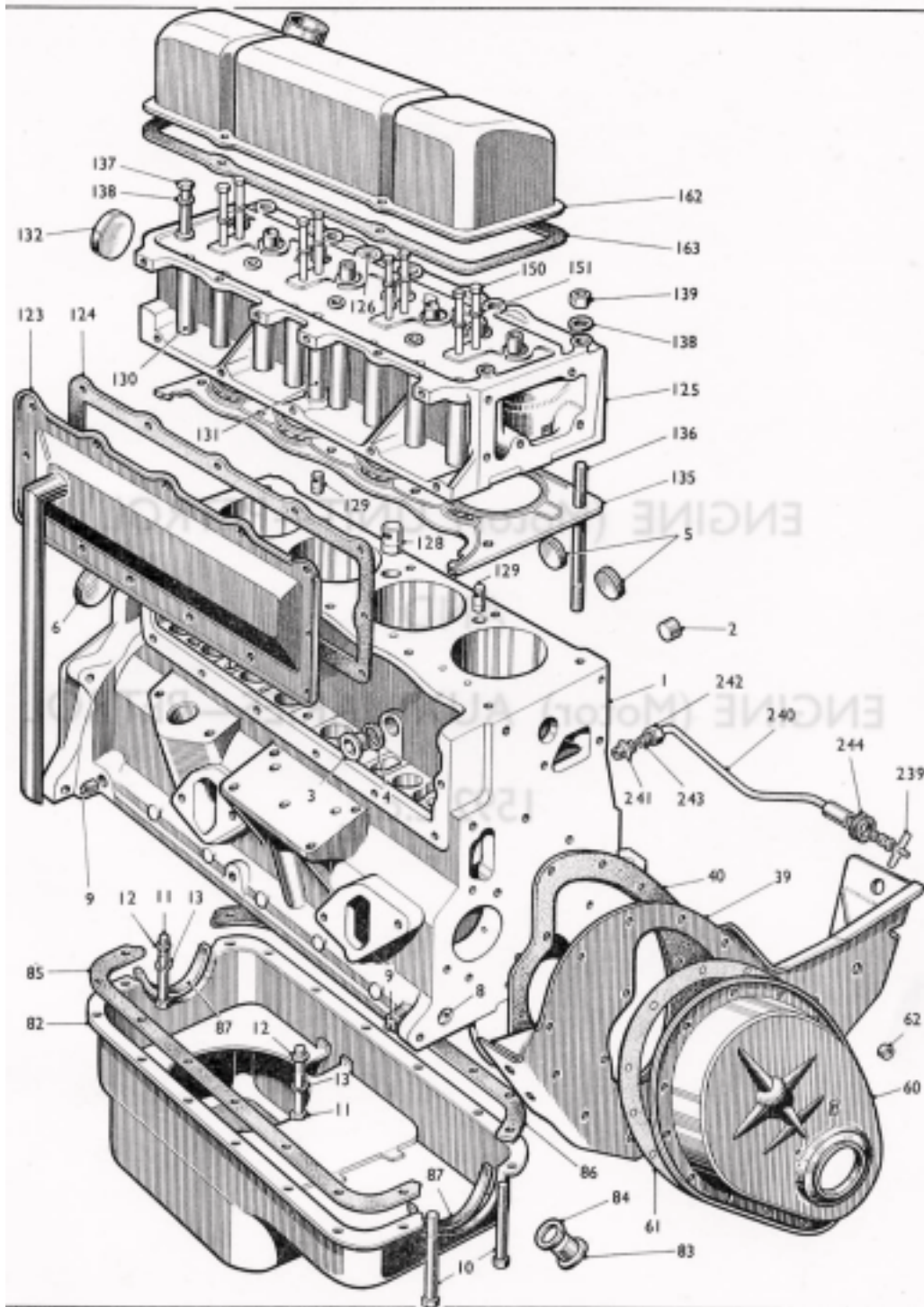


PLATE A

ENGINE (Motor) UNIT — PETROL 1592 c.c.

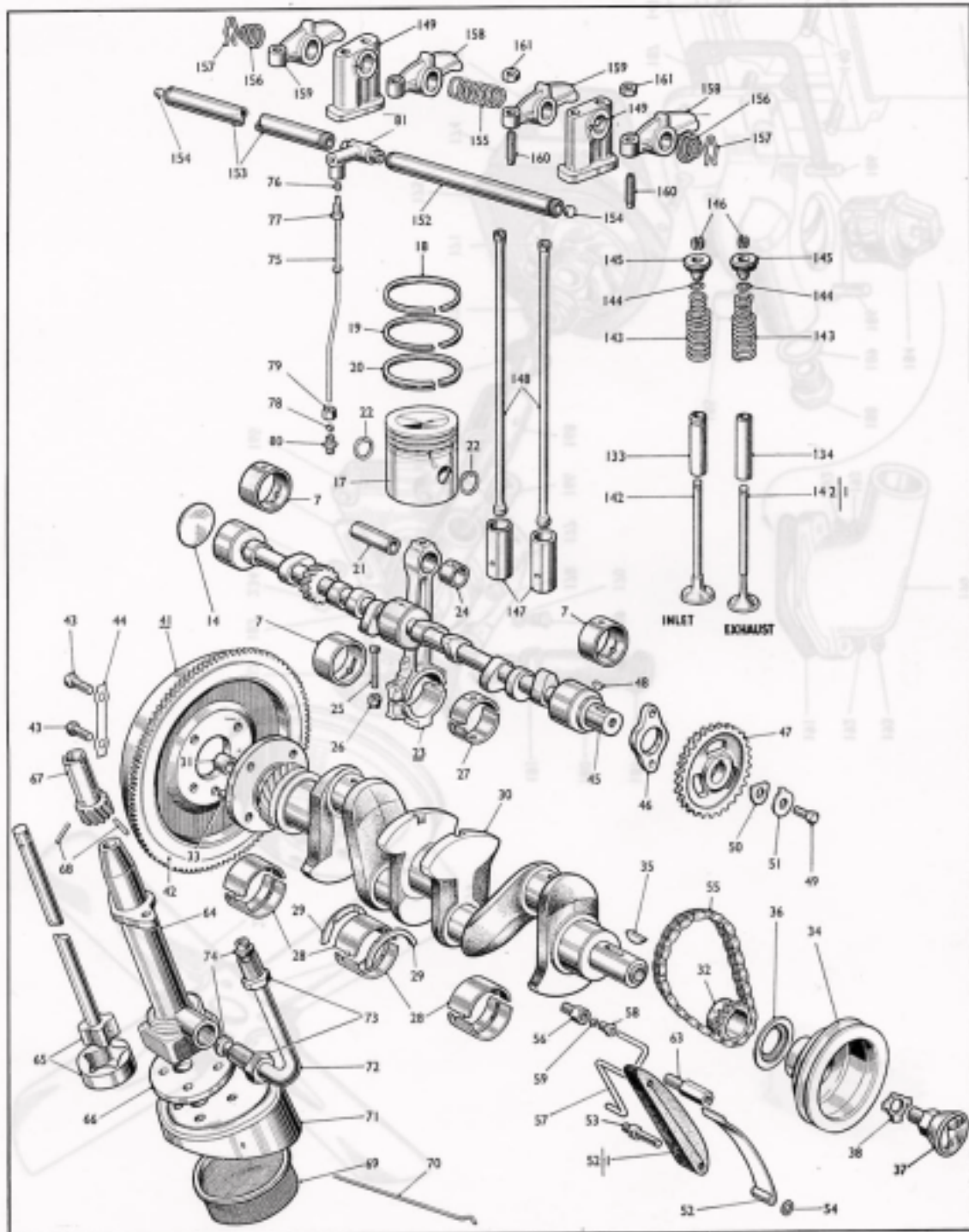


PLATE B

ENGINE (Motor) UNIT — PETROL 1592 c.c.

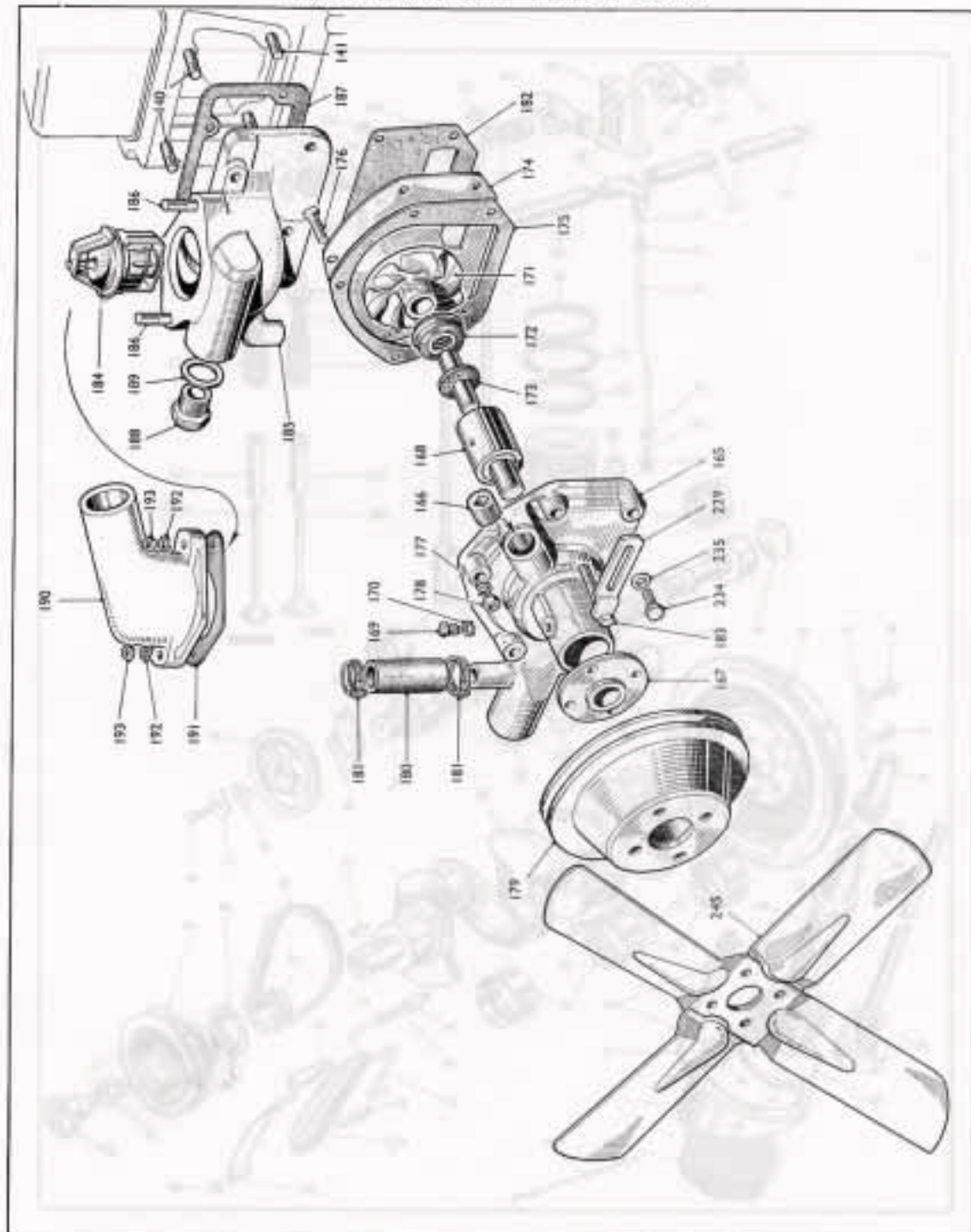


PLATE C

ENGINE (Motor) UNIT — PETROL 1592 c.c.

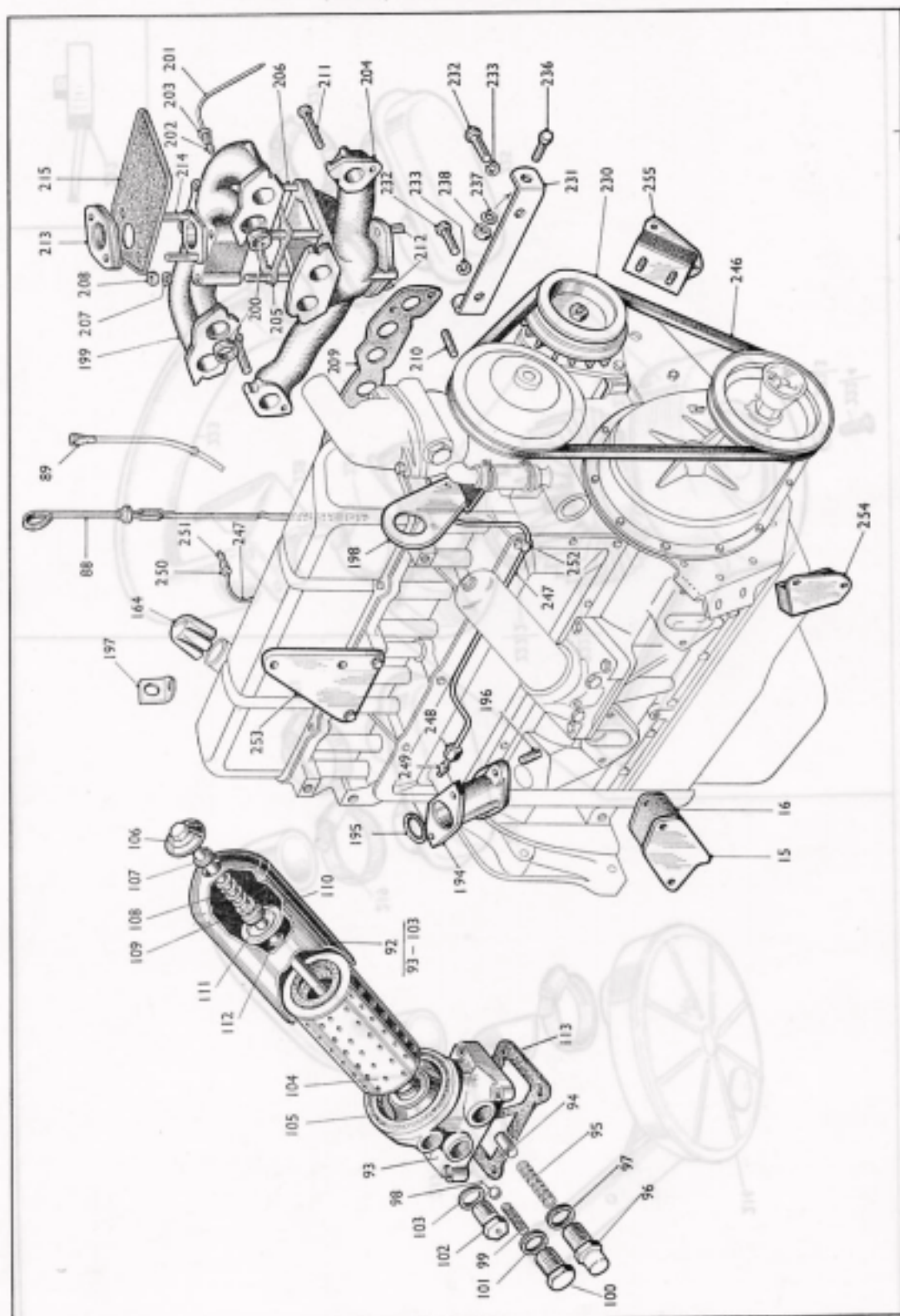


PLATE D

ENGINE (Motor) UNIT — PETROL 1592 c.c.

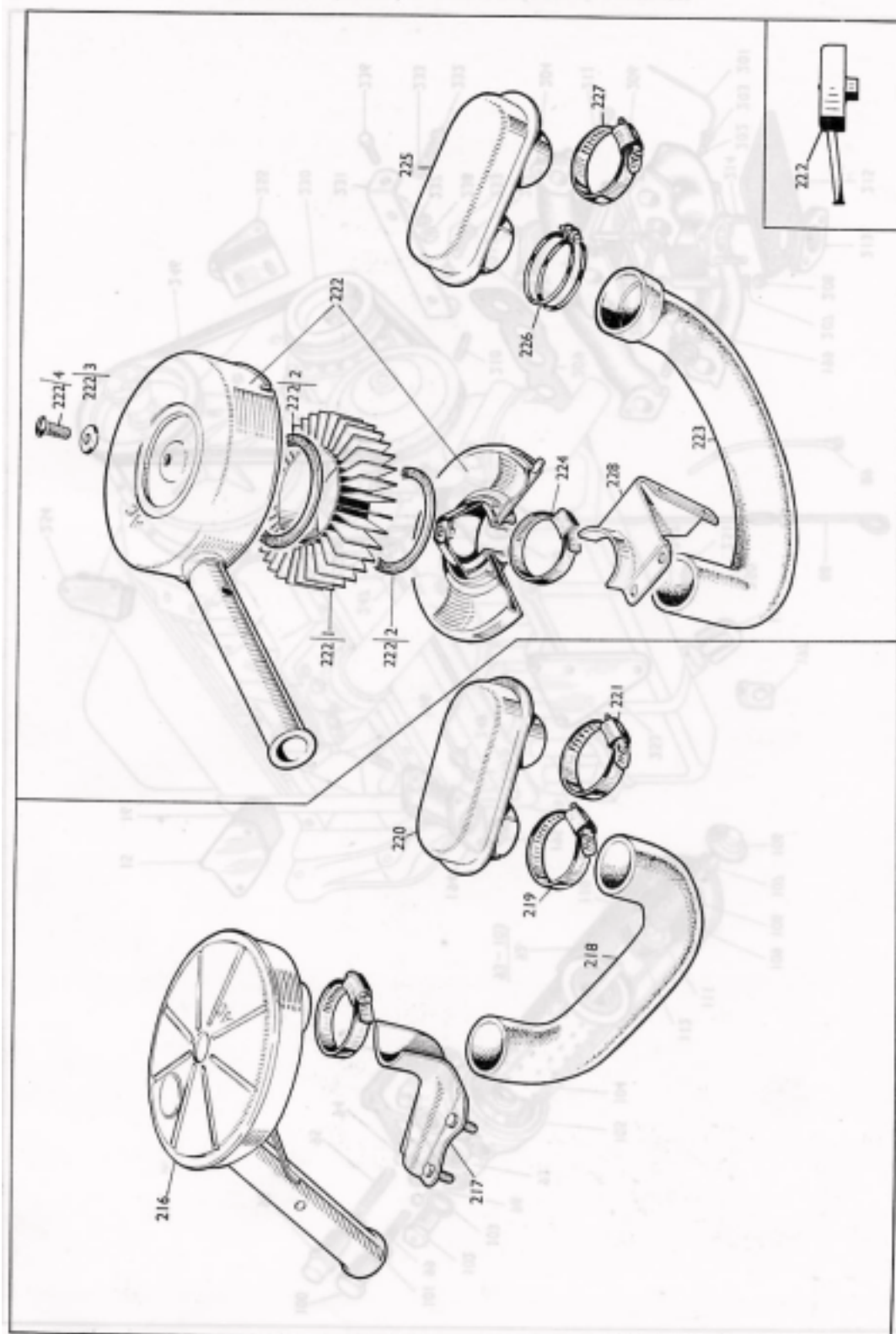


PLATE E

ENGINE (Motor) UNIT — PETROL 1592 c.c.

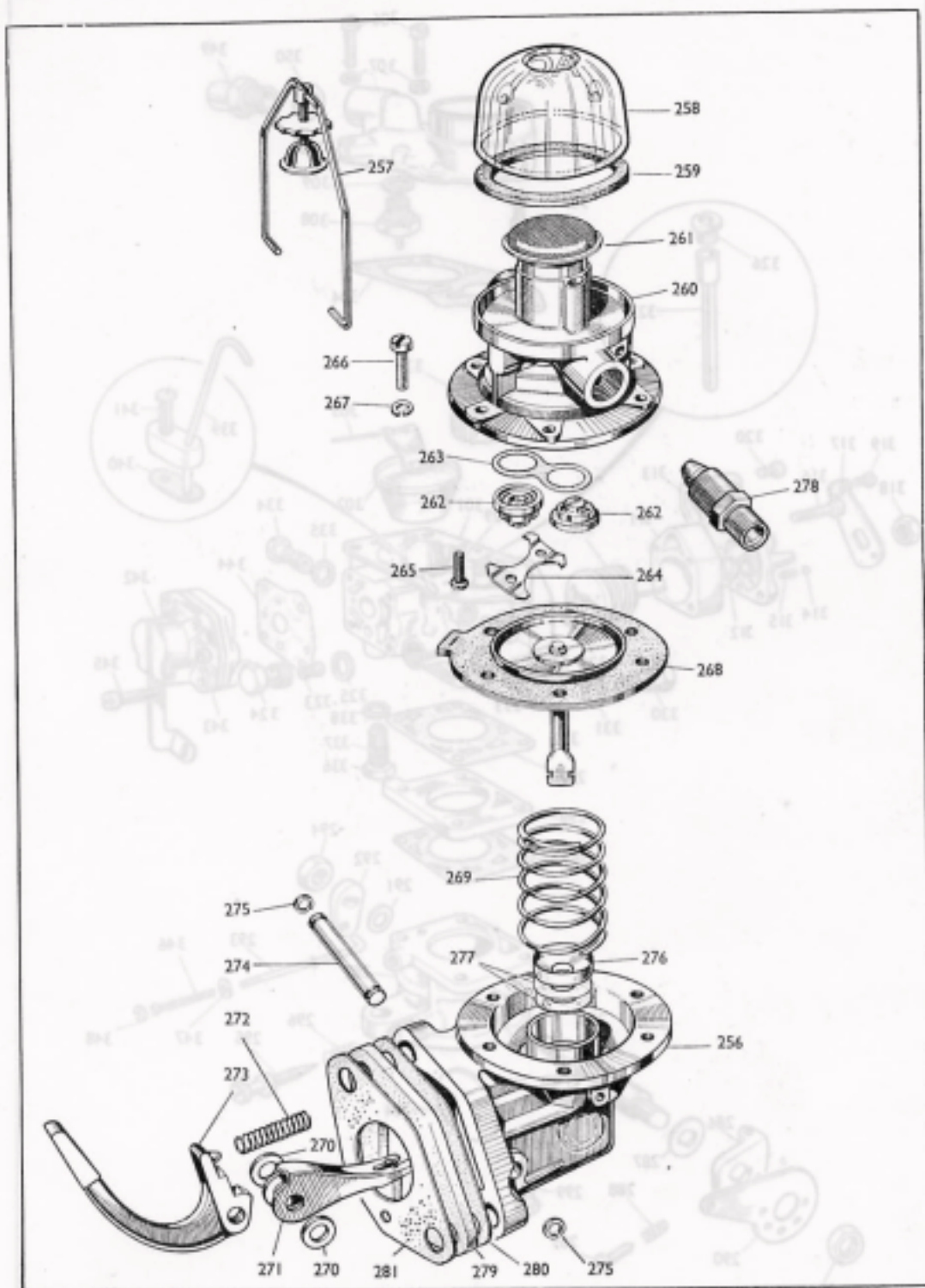


PLATE F

ENGINE (Motor) UNIT — PETROL 1592 c.c.

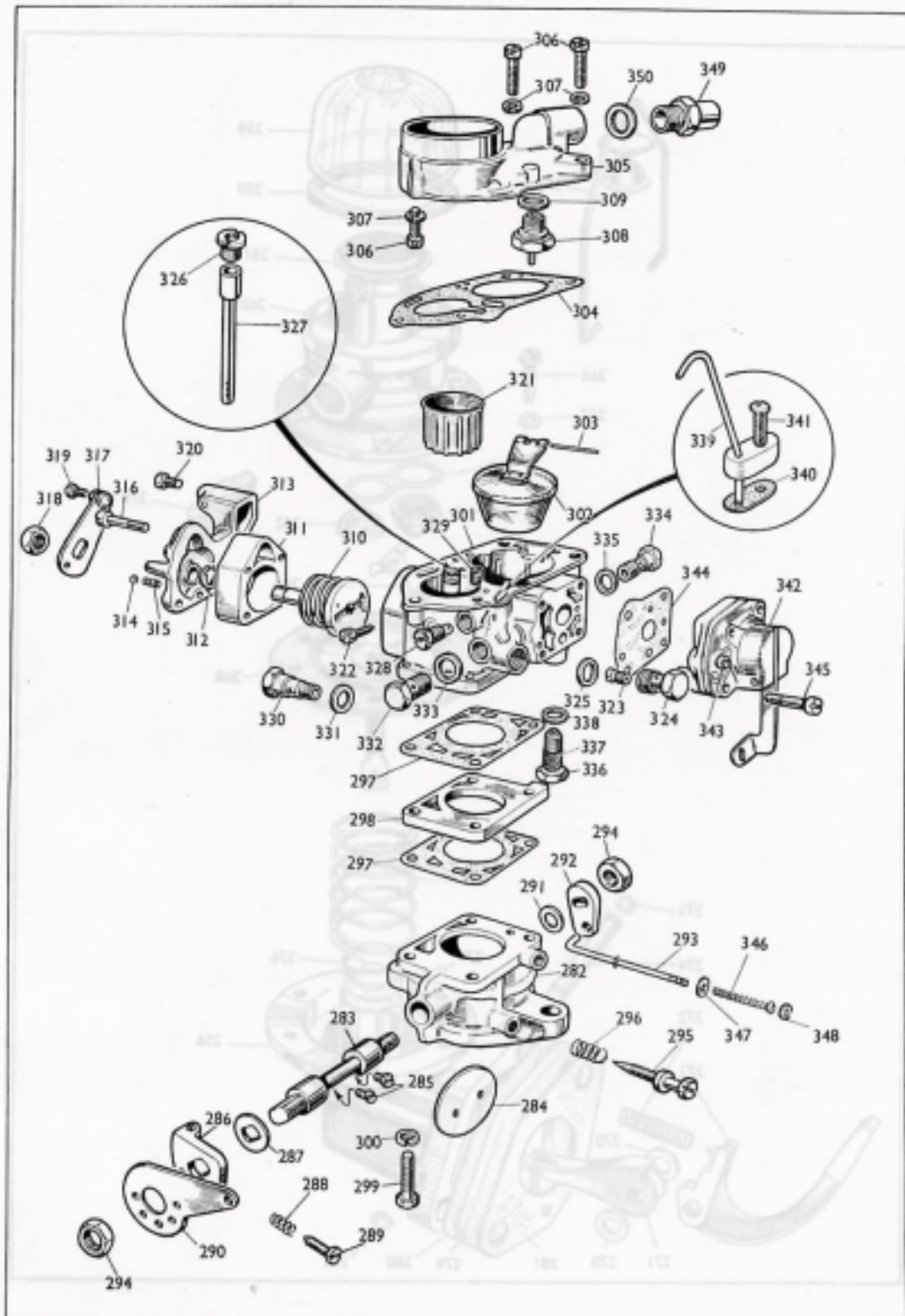


PLATE G

ENGINE (Motor) UNIT — PETROL 1592 c.c.

Plate Ref.	Part Number	DESCRIPTION	No. per Veh.	REMARKS	
		Note A. Serial Numbers of Engines detailed in this Section are prefixed "2C"—(CKD "2CB").			
	5200186	ENGINE (Motor) UNIT—VERTICAL THERMOSTAT ...	1	{ Used prior to — See Note 11—Page 40	
	5200725	ENGINE (Motor) UNIT—HORIZONTAL THERMOSTAT ...	1	{ Used on and after — See Note 11—Page 40	
		Note B. The above Engine (Motor) Units are less the following: Induction (Intake) Manifold, Exhaust Manifold, Carburettor, Air Cleaner, Dynamo (Generator), Fan and Belt, Ignition Coil, Spark Plugs, Distributor, Starter, Fuel Pump and Clutch Unit. Replacement Engine (Motor) Units are available in part exchange for the original assemblies.			
A1	5220404 (5220965)	CYLINDER BLOCK c/w Bearing Caps ...	1	} See Special Note A— Page 41	
A2	5220965	Cylinder Block c/w Bearing Caps ...	1		
A3	9805480	Plug (Heater)—1" B.S.P. ...	1	} Alternatives—Check Type before ordering	
A4	9077046	Washer—840" dia. × .048" thick } Core Plugs ...	2		
A5	9077616	Washer—748" dia. × .075" thick } ...	2		
A6	9101839 (5220785)	Sealing Cup—1½" dia. ...	5		
A7	P.103756 (9101841)	Sealing Cup—1½" dia. ...	1		
A8	9101840 (5220785)	Sealing Cup—Alternative ...	5		
A9	9101808	Sealing Plug—Dipstick Hole ...	1		
A10	P.48510	Bearing—Camshaft ...	3		
A11	9805001	Plug—½" B.S.P. } Oilways ...	2		
A12	9804210	Plug—Special } ...	2		
A13	9003093	Bolt—½" UNF. × 3½"—Front ...	2	} Main ... Bearings	
A14	19107203	Bolt—½" UNF. × 2½"—Centre and Rear ...	4		
A15	9067046	Washer—½" plain ...	2		
A16	9660281	Washer—½" spring ...	4		
A17	9809340	Sealing Disc—Camshaft ...	1		
A18	1206909	Cylinder Liner ...	4		} Cylinder Liner not fitted in original assembly. Service replacement only.
A19	P.106950	Blanking Plate—Petrol Pump Aperture ...	1		
A20	P.106890	Joint (Gasket) ...	1		
A21	19505051	Screw—½" UNF. × 1" } Blanking Plate to Block ...	1		
A22	9661201	Washer—½" spring ...	2		
A23	5109992 (5110397)	PISTON ASSEMBLY—Standard Size—Grade A ...	4	} Top ... Groove ... 2nd ... Groove ... 3rd ... Groove ...	
A24	5109993 (5110398)	Piston Assembly—Standard Size—Grade B ...	4		
A25	5109994 (5110399)	Piston Assembly—Standard Size—Grade C ...	4		
A26	5109995 (5110400)	Piston Assembly—Standard Size—Grade D ...	4		
A27	5109996 (5110401)	Piston Assembly—Standard Size—Grade E ...	4		
A28	5110001 (5110402)	Piston Assembly—030" Oversize ...	4		
A29	5109424	Compression Ring—Standard Size ...	4		
A30	5109428	Compression Ring—030" Oversize ...	4		
A31	5109431 (5112976)	Compression Ring—Standard Size ...	4		
A32	5109435	Compression Ring—030" Oversize ...	4		
A33	5109438	Piston Ring—Scraper—Standard Size ...	4		
A34	5109442	Piston Ring—Scraper—030" Oversize ...	4		
A35	5109445 (5110417)	Gudgeon (Piston) Pin (Top Limit) ...	4	} Alternatives	
A36	5109446	Gudgeon (Piston) Pin (Medium Limit) ...	4		
A37	5109447	Gudgeon (Piston) Pin (Bottom Limit) ...	4		
A38	5109448	Gudgeon (Piston) Pin (.003" Oversize) ...	4		
A39	9204013	Circlip ...	8	} Alternatives	
A40	1206890	CONNECTING ROD—Less Bearings ...	4		
A41	1206882 (5220846)	Bush—Small End ...	4		
A42	1206884 (1218004)	Bolt—Special ...	8		
A43	9034026	Nut—Nyloc, ½" UNF. ... } Big ...	8		
A44	9034025	Nut—Oddie, ½" UNF. ... } End ...	8		
A45	9034024	Nut—Phillips, ½" UNF. ... } ...	8		

ENGINE (Motor) UNIT — PETROL 1592 c.c.

Plate Ref.	Part Number	DESCRIPTION	No. per Veh.	REMARKS
		ENGINE (Motor) UNIT—continued		
B27	5109395 (5112014)	Connecting Rod Big End Bearing Set—Standard Size ...	1	} Engine set of 8 halves
	5109396 (5112015)	Connecting Rod Big End Bearing Set—020" Undersize ...	1	
	5109397 (5112016)	Connecting Rod Big End Bearing Set—040" Undersize ...	1	
	5109398 (5112017)	Connecting Rod Big End Bearing Set—060" Undersize ...	1	
B28	5109534	MAIN BEARING SET—Standard Size ...	1	} Used with Cylinder Block 5220404 only—See also Special Note A—Page 41
	5109535	Main Bearing Set—020" Undersize ...	1	
	5109536	Main Bearing Set—040" Undersize ...	1	
	5109537	Main Bearing Set—060" Undersize ...	1	
B29	5109546 (5112972)	Thrust Washer Set—Standard Size ...	1	} Engine Set of 2 Halves
	5019547 (5112973)	Thrust Washer Set—005" Oversize ...	1	
	5109548	Thrust Washer Set—one Standard Size and one .030" Oversize ...	1	
B30	5109961 (5220834)	CRANKSHAFT ASSEMBLY ...	1	Special Service Use only
B31	9200046	Bush—Stemwheel ...	1	
B32	P.103609 (1228027)	Timing Wheel (Sprocket) ...	1	
	1228028	Dumper Ring—Timing Wheel ...	1	
B33	9146141	Dowel—Flywheel ...	1	
B34	1201124	Crankshaft Fan Pulley ...	1	
B35	9213031	Key—Timing Wheel and Crankshaft Pulley—1.5" long ...	1	} Crankshaft
	9213040	Key—Timing Wheel and Crankshaft Pulley—1.75" long ...	1	
B36	P.103610	Oil Thrower ...	1	
B37	P.103766	Starting Jaw ...	1	
	1208868	Washer—Starting Jaw ...	1	
B38	1202443	Washer—Tab—Starting Jaw ...	1	
A39	1207042	ENGINE (Motor) SUPPORT PLATE—Front ...	1	
A40	P.103612	Joint (Gasket) ...	1	
	19505051	Screw— $\frac{5}{8}$ " UNF. \times $\frac{1}{2}$ " } Support Plate to ...	3	
	9661201	Washer— $\frac{5}{8}$ " spring } Cylinder Block ...	3	
B41	1206876	FLYWHEEL AND STARTER RING (Gear) ...	1	} Alternative as Assemblies
	1214622	Flywheel and Starter Ring (Gear) ...	1	
	1214641	Flywheel and Starter Ring (Gear) ...	1	} Associated British Foods Specification Only
B42	P.103618	Starter Ring (Gear) ...	1	
		Note. Replacement Flywheel and Starter Rings (Gears) are available in part exchange for the original.		
B43	19506073	Bolt— $\frac{1}{2}$ " UNF. \times $\frac{1}{2}$ " } Flywheel to ...	4	
B44	P.103620	Lockplate ... } Crankshaft ...	2	} Used prior to Engine No.: See Note 7—Page 40
B45	P.113395 (1208794)	CAMSHAFT ...	1	
	1208794	Camshaft ...	1	} Used on and after Engine No. See Note 7—Page 40
		Note. See Cylinder Block for Camshaft Bearings.		
B46	P.118772	Thrust Plate ...	1	
B47	P.112147	Timing Wheel (Sprocket) ...	1	
B48	9213008	Timing Wheel Key ...	1	
B49	19506061	Bolt— $\frac{1}{2}$ " UNC. \times $\frac{1}{2}$ " ...	1	
B50	9096046	Retaining Washer ... } Timing Wheel to Camshaft ...	1	
B51	P.55844	Washer—Special ...	1	
	19504051	Screw— $\frac{1}{2}$ " UNF. \times $\frac{1}{2}$ " } Thrust Plate to ...	2	
	9661161	Washer— $\frac{1}{2}$ " spring ... } Cylinder Block ...	2	
	P.106923	Timing Chain Tensioner Blade ...	1	} See Note 1—Page 40
B52	P.107711	Timing Chain Tensioner Blade ...	1	
B52/1	P.107710	Timing Chain Tensioner ...	1	} See Note 2—Page 40
B53	P.103732	Pivot Pin ... } Chain Tensioner Blade ...	1	
B54	9067014	Washer— $\frac{1}{2}$ " plain } to Cylinder Block ...	1	

ENGINE (Motor) UNIT — PETROL 1892 c.c.

Plate Ref.	Part Number	DESCRIPTION	No. per Veh.	REMARKS
		ENGINE (Motor) UNIT—continued		
B55	9226040	TIMING CHAIN	1	
B56	1208783	Adaptor—Oil Jet Pipe	1	
	1208784	Spring } Oil	1	
	9187001	Ball } Feed	1	
B57	1208782	OIL JET PIPE	1	
B58	9156501	Retaining Nut } Oil Jet	1	
B59	9157100	Olive } Pipe	1	
A60	1207079 (1208728)	TIMING COVER	1	Used prior to Engine No. See Note 8—Page 40
A61	1208728	Timing Cover	1	Used on and after Engine No. See Note 8—Page 40
	P.103667	Joint (Gasket)	1	
	19505061	Screw— $\frac{1}{8}$ " UNF. \times $\frac{1}{2}$ "	8	
A62	19505071	Screw— $\frac{1}{8}$ " UNF. \times $\frac{1}{2}$ "	1	Timing Cover to Cylinder Block
	9661201	Washer— $\frac{1}{8}$ " spring	9	
	P.65236 (9087076)	Collar—Timing Cover Screw	1	
B63	P.106997	Pillar Stud (Pedestal)	1	
	19505081	Screw— $\frac{1}{8}$ " U.N.F. \times $\frac{1}{2}$ "	1	
	19505051	Screw— $\frac{1}{8}$ " UNF. \times $\frac{1}{2}$ "	3	
A63	9510050	Nut— $\frac{1}{8}$ " UNF.	5	
	9078008	Washer— $\frac{1}{8}$ " fibre	1	Timing Cover to Front Plate
	9661201	Washer— $\frac{1}{8}$ " spring	5	
	19504041	Screw— $\frac{1}{8}$ " UNF. \times $\frac{1}{2}$ "	1	Used prior to—See Note 11—Page 40
	9510040	Nut— $\frac{1}{8}$ " UNF.	1	Used from—See Note 11—Page 40
	9067022	Washer— $\frac{1}{8}$ " plain	4	
	1206988	OIL PUMP	1	
		Note. A replacement Oil Pump is available in part exchange for the original.		
B64		Body		Not supplied
B65	5220340	Driving Spindle c/w Rotor and Vane	1	
B66	P.103673	Cover Plate	1	
	19604051	Screw— $\frac{1}{8}$ " UNC. \times $\frac{1}{2}$ "	4	Cover Plate to Pump
	9661161	Washer— $\frac{1}{8}$ " spring	4	
B67	P.107853	Driving Pinion	1	
B68	9144020	Pin—Pinion to Shaft	2	
B69	P.107024	Filter Unit	1	
B70	P.107025	Retainer—Filter	1	
B71	P.107023	Cover—Filter	1	
B72	19505071	Screw— $\frac{1}{8}$ " UNF. \times $\frac{1}{2}$ "	2	Oil Pump to Cylinder Block
	9661201	Washer— $\frac{1}{8}$ " spring	2	
	1206897	OIL PIPE—Pump to Cylinder Block	1	
B73	9156551	Olive } Pipe to	1	
	9157113	Nut } Pump	1	
B74	9156551	Nut } Pipe to	1	
B75	9157113	Olive } Block	1	
B76	P.48516	OIL PIPE—Rocker Oil Feed	1	
B77	9157102	Olive } Cylinder Block	1	
B78	9156051	Nut } End	1	
B79	9157102	Olive } Rocker Shaft	1	
B80	9156506	Nut } End	1	
B81	9151200	Union—Cylinder Block } Rocker	1	
B82	P.103754	Adaptor—Rocker Shaft } Oil Feed	1	
A83	1210004 (1224266)	SUMP (Oil Pan)	1	
A84	9802041	Drain Plug— $\frac{1}{2}$ " B.S.P.	1	
	9077616	Washer— $\frac{1}{8}$ " copper—Drain Plug	1	

ENGINE (Motor) UNIT — PETROL 1592 c.c.

Plate Ref.	Part Number	DESCRIPTION	No. per Veh.	REMARKS
		ENGINE (Motor) UNIT—continued		
A85	P.103871 (5220944)	Joint (Gasket)—O.S. (R.H.)	1	
A86	P.103872 (5220944)	Joint (Gasket)—N.S. (L.H.)	1	
	9003029	Screw— $\frac{1}{8}$ " UNF. \times $\frac{1}{4}$ "	14	
	9661161	Washer— $\frac{1}{8}$ " spring	14	} Sump to Cylinder Block
	19504061	Screw— $\frac{1}{8}$ " UNF. \times $\frac{1}{4}$ "	4	
	9067016	Washer— $\frac{1}{8}$ " plain	4	
	59410909	Screw— $\frac{1}{8}$ " UNF. \times $\frac{1}{8}$ " plain	4	
	5220588	Oil Seal—Bearing Caps	2	} Sump to
A87	1208707	Oil Seal—Bearing Caps	2	
D88	1206850	DIPSTICK (Oil Level)—SUMP (Oil Pan)	1	} Early Condition Only
D89	1202686	Dipstick Extension Tube	1	
	9178033	Clip—Dipstick Tube	1	} See Note 3 } Page 40
	19504041	Screw— $\frac{1}{8}$ " UNF. \times $\frac{1}{4}$ "	1	
	9510040	Nut— $\frac{1}{8}$ " UNF.	1	} Dipstick Clip to
	9067015	Washer— $\frac{1}{8}$ " plain	2	
	1201090	Steady	1	
	19504041	Screw— $\frac{1}{8}$ " UNF. \times $\frac{1}{4}$ "	1	
	9510040	Nut— $\frac{1}{8}$ " UNF.	1	
	9067015	Washer— $\frac{1}{8}$ " plain	1	
D92	1206796 (1218347)	OIL FILTER UNIT	Tecalemit	
D93	5037925	Filter Head Assembly	1	} See Note 5—Page 40
D94	5037926	Piston—Relief Valve	1	
D95	5037927	Spring—Relief Valve	1	
D96	5037928	Cap—Relief Valve	1	
D97	9122127	Cap Washer	1	
D98	9187012	Ball—Balance Valve— $\frac{1}{8}$ " dia.	1	
D99	5037929	Spring—Balance Valve	1	
D100	5037930	Cap—Balance Valve	1	
D101	9122127	Cap Washer	1	
D102	9803047	Plug—Drain	1	
D103	9077014	Washer—Plug	1	
D104	K.24477	ELEMENT	1	
D105	9122174	Sealing Ring—Container	1	
D106	5037931	Centre Bolt Assembly	1	
D107	9122211	Washer—Centre Bolt	1	
D108	5037932	Spring	1	
D109	9067435	Washer—Spring	1	
D110	9122210	Washer—Sealing	1	
D111	K.24591	Pressure Plate	1	
D112	P.49349	Circlip	1	
	1218347	OIL FILTER UNIT	Tecalemit	} See Note 6—Page 40
	5040539	Filter Head Assembly	1	
	5040540	Centre Tube	1	
	9122127	Relief Valve Assembly	1	
	5040541	Cap Washer	1	
	9122127	Balance Valve Assembly	1	
	9122127	Cap Washer	1	
	K.24477	ELEMENT	1	
	5037931	Centre Bolt Assembly	1	
	9122211	Centre Bolt Washer	1	
	5037932	Container	1	
	9067435	Spring	1	
	9122210	Washer—Plain	1	
	K.24591	Washer—Sealing	1	
	P.49349	Pressure Plate	1	
	K.24585	Circlip	1	
		Sealing Ring—Container	1	

ENGINE (Motor) UNIT — PETROL 1592 c.c.

Plate Ref.	Part Number	DESCRIPTION	No. per Veh.	REMARKS
		ENGINE (Motor) UNIT—continued		
		OIL FILTER UNIT Fram		} Not supplied } See Note 9— } Page 40
	5041315	Oil Filter Cartridge	1	
	5041316	Oil Filter Base	1	
	5041317	Relief Valve	1	
	5041318	Relief Valve Washer	1	
D113	1207973	Joint (Gasket)	1	} Used prior to Engine No. } See Note 9—Page 40
	1218624	Joint (Gasket)	1	
	19505101	Screw— $\frac{1}{8}$ " UNF. \times $1\frac{1}{4}$ " } Filter to	4	} See Note 9—Page 40 } Alternatives
	19105101	Screw— $\frac{1}{8}$ " \times $1\frac{1}{4}$ " } Cylinder Block	4	
	9661201	Washer— $\frac{1}{8}$ " spring	4	
	9067022	Washer— $\frac{1}{8}$ " plain	4	
A123	P.111850 (1235054)	TAPPET (Valve Lifter) COVER	1	
	1218698	Breather Hose—Tappet Cover to Air Box	1	} N/America only—Used on } and after Engine No. See } Note 10 up to Note 16— } Pages 40 and 41
	1218435	Tappet (Valve Lifter) Cover	1	
	1218575	Breather Adaptor	1	
	1228091	Tappet (Valve Lifter) Cover	1	
	1228091	Tappet (Valve Lifter) Cover	1	} N/America only—See } Note 16—Page 41
A124	P.103740	Joint (Gasket)	1	} Alternative
	19504041	Screw— $\frac{1}{4}$ " UNF. \times $\frac{1}{4}$ " } Tappet Cover	13	
	9067016	Washer— $\frac{1}{4}$ " spring	13	
	59410809	Screw—Sens— $\frac{1}{4}$ " UNF. \times $\frac{1}{4}$ " } to Block	13	
A125	P.48845	CYLINDER HEAD	1	} Not required when heater } fitted
A126	9805031	Plug— $\frac{1}{2}$ " B.S.P.	1	
A128	P.103720	Water Jet—Centre	1	} Early Condition
A129	P.103719	Water Jet—Intermediate and Rear	2	
A130	P.103754 (1218451)	Tube—Push Rod	8	} Early Condition
A131	P.103754 (1218451)	Tube—Rocker Oil Feed	1	
	1218451	Tube—Push Rod	8	} Late Condition
	1218451	Tube—Rocker Oil Feed	1	
A132	P.103693 (9101848)	Sealing Cap— $1\frac{1}{2}$ " dia.	1	} Inlet (Intake)
B133	5105616	Valve Guide—Standard Size	4	
	5105617 (5114667)	Valve Guide—001" Oversize	4	} Exhaust
	5105618	Valve Guide—003" Oversize	4	
B134	5105653 (5114671)	Valve Guide—Standard Size	4	} Exhaust
	5105654	Valve Guide—001" Oversize	4	
	5105655	Valve Guide—003" Oversize	4	
		ADD: Following Part Number 5105655 "Valve Guide—Exhaust"		
	5105873	Valve Seat Insert—Exhaust—Standard Size	4	} Service } Use only Engine No. } Page 40
	5105874	Valve Seat Insert—Exhaust—002" Oversize	4	
	5105875	Valve Seat Insert—Exhaust—005" Oversize	4	
	5105876	Valve Seat Insert—Exhaust—010" Oversize	4	
	29705103	Stud— $\frac{1}{8}$ " UNF. \times $1\frac{1}{4}$ " } to	1	} after Engine } No. See Note 11 up to } Note 12—Page 40
	29705093	Stud— $\frac{1}{8}$ " UNF. \times $1\frac{1}{4}$ " } Cylinder Head	2	
	19105223	Bolt— $\frac{1}{8}$ " UNF. \times $2\frac{1}{4}$ " }	2	} See Note 12— } Page 40
	9067023	Washer— $\frac{1}{8}$ " plain	2	
	19505061	Setscrew— $\frac{1}{8}$ " UNF. \times $\frac{1}{2}$ " } Thermostat Housing	2	
	19505071	Screw— $\frac{1}{8}$ " UNF. \times $\frac{1}{2}$ " } to Cylinder Head	1	
B142	1206872 (1218394)	INLET (Intake) VALVE	4	

ENGINE (Motor) UNIT — PETROL 1592 c.c.

Plate Ref.	Part Number	DESCRIPTION	No. per Veh.	REMARKS
		ENGINE (Motor) UNIT—continued		
B142/1	1206873 (1218383)	EXHAUST VALVE	4	
B143	P.48523	Valve Spring—Inner and Outer	8	
B144	9107016	Sealing Ring	8	
B145	1206787	Valve Cup } Valve	8	
B146	P.84642 (5220327)	Cotter—Valve Spring	8	
B147	1202187 (5112221)	TAPPET (Valve Lifter)	8	
B148	P.114228	Push Rod	8	
B149	P.106984	ROCKER SHAFT CARRIER	4	
A150	19105211	Bolt— $\frac{3}{8}$ " UNF. \times 2 $\frac{1}{2}$ " } Carrier to	8	
A151	9067022	Washer— $\frac{3}{8}$ " plain ... } Cylinder Head	8	
B152	P.48515	ROCKER SHAFT—Front	1	
B153	P.48525	Rocker Shaft—Rear	1	
B154	9101807	Plug—Rocker Shaft Ends	2	
B155	P.103637	Rocker Shaft Spring	2	
B156	P.103638	Rocker Shaft Spring—Outer	4	
B157	P.103912	Spring Retaining Clip	4	
B158	1206848	ROCKER—Nos. 1, 3, 5 and 7	4	
B159	1206847	Rocker—Nos. 2, 4, 6 and 8	4	
B160	P.118879	Adjusting Screw ... } Rocker	8	
B161	9520050	Locknut— $\frac{3}{8}$ " UNF. }	8	
A162	1201092 (1218606)	ROCKER COVER	1	} N/America only— See Note 10—Page 40
	1218703	Rocker Cover Assembly	1	
	1235070	Rocker Cover Assembly	1	} N/America only—See Note 16—Page 41
	1203542	Anchor Plate—Throttle Return Spring	1	
A163	P.106897	Joint (Gasket)—Rocker Cover	1	
	39303083	Screw—No. 10 UNF. \times $\frac{1}{2}$ " } Rocker Cover to	4	
	9663122	Washer— $\frac{3}{8}$ " shakeproof ... } Cylinder Head	4	
	9067012	Washer— $\frac{3}{8}$ " plain ... }	4	
D164	P.115105	Oil Filter Cap Assembly	1	} N/America only— See Note 10—Page 40
	1207074	Oil Filter Cap Assembly	1	
	P.106963	WATER PUMP ASSEMBLY	1	
		Note. A replacement Water Pump is available in part exchange for the original unit.		
C165	P.103627	Impeller Body	1	
C166	9805031	Plug— $\frac{1}{2}$ " gas—Heater Connection	1	
C167	1214677	Fan Pulley Centre	1	
	19504061	Screw— $\frac{1}{2}$ " UNF. \times $\frac{1}{2}$ " } Fan to	4	
	9660161	Washer— $\frac{1}{2}$ " spring } Pulley	4	
C168	P.84837 (9198900)	*Bearing Unit	1	
C169	P.103640	*Screw— $\frac{1}{2}$ " UNF. \times $\frac{1}{2}$ " special } Bearing	1	
C170	9660161	*Washer— $\frac{1}{2}$ " spring } Unit	1	
C171	P.103641	*Impeller	1	
C172	P.86825	*Seal Unit	1	
C173	P.88402	*Bearing Unit Thrower	1	
C174	P.103642	Cover Plate	1	
C175	P.103646	Joint (Gasket)—Cover Plate	1	
C176	39105243	Screw— $\frac{3}{8}$ " UNF. \times 1 $\frac{1}{2}$ " esk. }	1	} Used prior to: See Note 11—Page 40
C177	9661201	Washer— $\frac{3}{8}$ " spring ... }	1	
	9067023	Washer— $\frac{3}{8}$ " plain ... }	1	
C178	9510050	Nut— $\frac{3}{8}$ " UNF. ... } Cover Plate	1	
	39115241	Screw— $\frac{3}{8}$ " UNF. \times 1 $\frac{1}{2}$ " } Pump Body	1	} Used on and after: See Note 11— Page 40
	9661201	Washer— $\frac{3}{8}$ " spring ... }	2	
	9510050	Nut— $\frac{3}{8}$ " UNF. ... }	1	
		Fan Pulley		} See Engine (Motor) Auxiliaries—Page 43

ENGINE (Motor) UNIT — PETROL 1592 c.c.

Plate Ref.	Part Number	DESCRIPTION	No. per Veh.	REMARKS
	P.48520	ENGINE (Motor) UNIT—continued WATER PUMP REPAIR KIT	1	Includes items marked *
C180	9166094	Hose—By-pass }	1	{ Used prior to Engine No. See Note 11—Page 40
	9166100 (1218594)	Hose—By-pass } Water Pump	1	
	1218594 (1235977)	Hose—By-pass	1	{ Used on and after Engine No. See Note 11—Page 40
C181	9781141	Clip—Hose	2	{ No. See Note 12—Page 40
C182	P.103653	Joint (Gasket)	1	
C183	19505181	Bolt (Long)— $\frac{1}{8}$ " UNF. \times 2 $\frac{1}{2}$ "	1	{ Prior to Note 11—Page 40
	5220221	Bolt— $\frac{1}{8}$ " UNF. \times 1 $\frac{1}{2}$ "	3	
	9661201	Washer— $\frac{1}{8}$ " spring	2	
	9067023	Washer— $\frac{1}{8}$ " plain	2	
	19505121	Screw— $\frac{1}{8}$ " UNF. \times 1 $\frac{1}{2}$ "	3	
	9067023	Washer— $\frac{1}{8}$ " plain	3	{ On and after Note 11—Page 40
C184	1214652	THERMOSTAT	1	{ Prior to Engine No.—See Note 11—Page 40
	1218672	THERMOSTAT	1	{ From Engine No.—See Note 11—Page 40
C185	P.48514 (1218517)	Thermostat Housing Assembly	1	{ Prior to Engine No.—See Note 11—Page 40
C186	29806113	Stud— $\frac{1}{2}$ " UNF. \times 1 $\frac{1}{2}$ "—Outlet Pipe	2	{ See Note 11—Page 40
	1214647	Thermostat Housing	1	{ From Engine No.—See Note 11—Page 40
	9810806	Spring Dowel—Housing Flange	1	{ Note 11—Page 40
C187	P.103658	Joint (Gasket) }	1	{ Used prior to Engine No. See Note 11—Page 40
	1214651	Joint (Gasket) } Thermostat Housing	1	
		Stud		{ to Cylinder Head See Cylinder Head—Page 37
	9067023	Washer— $\frac{1}{8}$ " plain	5	{ Used up to Engine No.
	9510050	Nut— $\frac{1}{2}$ " UNF.	5	{ See Note 12—Page 40
	19105223	Bolt— $\frac{1}{8}$ " UNF. \times 2 $\frac{1}{2}$ "	2	{ Used on and after—See Note 12—Page 40
	9067023	Washer— $\frac{1}{8}$ " plain	2	
	19505061	Screw— $\frac{1}{8}$ " UNF. \times $\frac{1}{2}$ " } to Cylinder Head	2	
	5220692	Screw— $\frac{1}{8}$ " UNF. \times $\frac{1}{2}$ " }	1	
	9801642	Plug—No. 18 UNF. \times $\frac{1}{2}$ " } Thermometer	1	
C188	9078031	Washer—Fibre	1	{ Hole
C189	1202680	WATER OUTLET PIPE	1	{ Used prior to Engine No. See Note 11—Page 40
C191	P.116888	Joint (Gasket) }	1	{ See Thermostat Housing—Page 39
		Stud		
C192	9661241	Washer— $\frac{1}{2}$ " spring } Thermostat Housing	2	
C193	9510060	Nut— $\frac{1}{2}$ " UNF. } to Water Outlet Pipe	2	
	1214648	Water Outlet Pipe	1	{ See Note 11—Page 40
	1214649	Joint (Gasket) } Thermostat Housing	1	
	9067023	Washer— $\frac{1}{8}$ " plain } to Water Outlet Pipe	5	
	9510050	Nut— $\frac{1}{2}$ " UNF. }	5	

ENGINE (Motor) UNIT—PETROL 1592 c.c.

Plate Ref.	Part Number	DESCRIPTION	No. per Veh.	REMARKS
		ENGINE (Motor) UNIT—continued		
D194	P.103633 (5220936)	DISTRIBUTOR DRIVE BRACKET	1	
D195	9107066	Oil Seal—Distributor Bracket	1	
D196	29705113	Stud— $\frac{3}{8}$ " UNF. \times 1 $\frac{1}{2}$ "	2	} Early Condition
	9661201	Washer— $\frac{3}{8}$ " spring	2	
	9510050	Nut— $\frac{3}{8}$ " UNF.	2	
	59511609	Semi screw—Distributor Bracket to Cylinder Block	2	
	5220936	Distributor Drive Bracket	1	Late Condition
	19505081	Bolt— $\frac{3}{8}$ " UNF. \times 1"	2	} See Note 13 Also Electrical Equipment
	9067027	Washer— $\frac{3}{8}$ " plain	2	
D197	1214554	LIFTING BRACKET	1	
D198	P.103849 (1214765)	Slings Eye	1	} Used prior to Engine No. See Note 11
	1214765	Slings Eye	1	
	9067038	Washer— $\frac{1}{2}$ " plain	1	
	9029145	Nut—1" UNF. special	1	
		Note 1. Used prior to Engine Numbers listed in Note 2.		
		Note 2. Used on and after Engine Nos. 2C 3113 CKD Engine Nos. 2CB 165 North American Engine Numbers 2CNA 65.		
		Note 3. Used on all 1494 c.c. and early 1592 c.c. Engines up to Engine No. 2C 794.		
		Note 4. Used on and after Engine No. 2C 794.		
		Note 5. Used prior to Engine Nos. listed in Note 6.		
		Note 6. Used on and after Engine No. 2C 4064; Australian Engine Nos. 2CB 445; North American Engine No. 2CNA 85.		
		Note 7. Used on and after Engine No. 2C 6352; 2CB 435 Australia; 2CNA 138 U.S.A.-Canada.		
		Note 8. Introduction of Timing Cover incorporating an integral Oil Seal— Used on and after Engine No.— 2CO 7272; 2CB 538 Australia; 2CNA 150 U.S.A.-Canada.		
		Note 9. Used on and after Engine No.— to be advised.		
		Note 10. Introduction of Design Change to Tappet and Rocker Cover (special order only) incorporating Breather arrangement for North America only— Used on and after Engine No.— 2CNA 197.		
		Note 11. Introduction of a Horizontal Thermostat and associated details— Used on and after Engine No.— 2CO 7073; 2CB 522 Australia; 2CNA 150 U.S.A.-Canada.		
		Note 12. Used on and after Engine No.— 2CO 12512; 2CB 1699 Australia; 2CNA 225 North America.		
		Note 13. Customers ordering Early Condition Crankshaft Assembly 3109961 will receive Late Condition Crankshaft Assembly as detailed. 9213031 Key—1-5" long and 9213040 Key—1-75" long are serviced as separate items.		

ENGINE (Motor) UNIT—PETROL 1592 c.c.

Plate Ref.	Part Number	DESCRIPTION	No. per Veh.	REMARKS
		<p>Note 14. Used prior to introduction Nos. listed in Note 15.</p> <p>Note 15. Used in conjunction with the new "Push-on" Type Leads detailed in Section "S", Distributor Bracket P.103633 has two Distributor Fixing Holes whereas the Late Condition Bracket 5220936 has one Distributor fixing hole. Fitted on and after Engine Nos.: 2CO 4297; 2CO 15 North America; 2CO 71 Associated British Foods.</p> <p>Note 16. Introduction of a Tappet Cover and Rocker Cover for N. America only. Fitted from Engine No.—to be advised.</p> <p>Special Note A. You are advised that 5220404 Cylinder Block c/w Bearing Caps has been superseded by 5220965 Cylinder Block c/w Bearing Caps. When fitting 5220965 in place of 5220404 only the following Main Bearings and Thrust Washers may be fitted. They are NOT interchangeable with those fitted with 5220404 Cylinder Block.</p>		
	5114980	Main Bearing Set—Standard Size	1	Used with Cylinder Block 5220965 only
	5114981	Main Bearing Set—020' Undersize	1	
	5114982	Main Bearing Set—040' Undersize	1	
	5114983	Main Bearing Set—060' Undersize	1	
	5114986	Thrust Washer Set—Standard Size	1	
	5114987	Thrust Washer Set—005' Oversize	1	
	5114988	Thrust Washer Set—one Standard Size and one 030' Oversize	1	Special Service Use only

ENGINE (Motor) UNIT — PETROL 1592 c.c.

Plate Ref.	Part Number	DESCRIPTION	No. per Veh.	REMARKS
		ENGINE (Motor) AUXILIARIES		
		Note. The following parts are not supplied with Engine (Motor) Unit.		
	5220423	TOP OVERHAUL GASKET SET	1	
		Note. The above Gasket Set includes Cylinder Head, Top Water Pipe, Thermostat Housing, Tappet Cover, Rocker Cover, Induction and Exhaust Manifold, Water Pump Joints (Gaskets) and Valve Stem Seals.		
D199	1203347 (1218691)	INDUCTION (Intake) MANIFOLD	1	Early Condition
	1218691	INDUCTION (Intake) MANIFOLD	1	Late Condition—Standard
	1218692	INDUCTION (Intake) MANIFOLD	1	Late Condition, N/America
	1224291	Ventilation Valve	1	—Special Order only—
	1218694	Breather Hose—Ventilator to Air Box	1	See Note 6—Page 47
	1228004	Flame Trap	1	
	1228012	Breather Hose—Rocker Cover to Flame Trap	1	
	9166275	Breather Hose—Flame Trap to Air Box	1	Latest Condition—Special
	39313061	Screw—No. 10 UNF. × 1" } Flame Trap	1	Order only—N/America
	9557037	Nut—No. 10 UNF. ... } Support Sleeve	1	
	1235108	Support Sleeve	1	
D200	P.103714	Locating Ring—Induction Manifold	2	
D201	P.47665	Drain Pipe—Induction Manifold	1	
D202	9157104	Olive } Drain	1	
D203	9156515	Nut } Pipe	1	
D204	1203346	EXHAUST MANIFOLD	1	
D205	P.106987 (1208757)	Joint (Gasket)	1	
D206	29705243	Stud— $\frac{1}{2}$ " UNF. × 3" } Induction to	4	
D207	9067023	Washer— $\frac{1}{8}$ " plain ... } Exhaust Manifold	4	
D208	9510051	Nut— $\frac{1}{2}$ " UNF. ... }	4	
D209	P.107822	Joint (Gasket)	1	
D210	29705133	Stud— $\frac{1}{2}$ " UNF. × 1 $\frac{1}{2}$ "	4	
D211	19105151	Bolt— $\frac{1}{2}$ " UNF. × 1 $\frac{1}{2}$ " } Manifolds to Cylinder Head	2	
	9067023	Washer— $\frac{1}{8}$ " plain	6	
	9510050	Nut— $\frac{1}{2}$ " UNF.	4	
D212	29900249	Stud—1" UNF. × 2 $\frac{1}{2}$ " }	2	
		Flange		
		Joint		See Exhaust System
		Nut		
		Washer		
		CARBURETTOR		See Carburettor—Page 45
D213	P.103781	Joint (Gasket)	1	
D214	29805131	Stud— $\frac{1}{2}$ " UNF./UNC. × 1 $\frac{1}{2}$ " } Carburettor	2	
	9661201	Washer— $\frac{1}{8}$ " spring ... } to Induction	2	
	9510050	Nut— $\frac{1}{2}$ " UNF. ... } Manifold	2	
D215	1201188	Heat Deflector	1	
E216	1200153	AIR SILENCER AND CLEANER AC-DeKo	1	
	9664202	Washer— $\frac{1}{8}$ " shakeproof } Air Cleaner	3	
	9510050	Nut— $\frac{1}{2}$ " UNF. ... } to Body	3	
E217	1205994	Air Cleaner Bracket Assembly	1	Dry Type Air Cleaner
	9067027	Washer— $\frac{1}{8}$ " plain—Bracket to Body	3	for
E218	1205996	Hose—Air Cleaner	1	Home Petrol Models
E219	9783401	Clip—Hose	2	
E220	1207580	Air Box—Carburettor	1	
E221	9783341	Clip—Air Box to Carburettor	1	
E222	1207103	AIR SILENCER AND CLEANER AC-DeKo	1	
E222/1	5018483	Element	1	Paper Element Type Air
E222/2	9122182	Gasket—Rubber	2	Cleaner for Export Petrol
E222/3	9078077	Washer—Fibre—1"	1	Models
E222/4	9050115	Screw	1	

ENGINE (Motor) UNIT — PETROL 1592 c.c.

Plate Ref.	Part Number	DESCRIPTION	No. per Veh.	REMARKS
		ENGINE (Motor) AUXILIARIES—continued		
E223	1214892	Hose—Air Cleaner	1	{ N/America—Special Order only— See Note 6—Page P47 Paper Element Type Air Cleaner for Export Petrol Models
E224	9783461	Clip—Hose to Cleaner	1	
E225	1207580	Air Box—Carburettor	1	
	1218693	Air Box—Carburettor	1	
E226	9782381	Clip—Hose to Air Box	1	
E227	9783341	Clip—Air Box to Carburettor	1	
E228	1214890	Bracket—Assembly—Air Cleaner	1	
	19505051	Bolt— $\frac{3}{8}$ " UNF. \times $\frac{1}{2}$ " hex. } Air Cleaner Bracket	2	
	9067027	Washer— $\frac{3}{8}$ " plain } to	2	
	9664202	Washer— $\frac{3}{8}$ " shakeproof } Wheel Arch Panel	2	
	9664202	Washer— $\frac{3}{8}$ " shakeproof } Air Cleaner Bracket	2	
	9510050	Nut— $\frac{3}{8}$ " UNF. } to Panel Valance	2	
		DYNAMO (Generator)		See Electrical Equipment
C229	P.112178	Dynamo (Generator) Adjusting Strap	1	
	P.103911 (1214656)	Dynamo (Generator) Pulley	1	
D230	1207030	Dynamo (Generator) Pulley Assembly	1	U.S.A. and Canada
D231	1206770	Dynamo (Generator) Support Bracket	1	{ Associated British Foods Specification—Special Order only
	1206930	Dynamo (Generator) Support Bracket	1	
D232	19506061	Bolt— $\frac{1}{2}$ " UNF. \times $\frac{1}{2}$ " } Bracket to	2	
D233	9661241	Washer— $\frac{1}{2}$ " spring } Cylinder Block	2	
C234	19605071	Bolt— $\frac{3}{8}$ " UNC. \times $\frac{1}{2}$ " } Dynamo (Generator)	1	
C235	9067027	Washer— $\frac{3}{8}$ " plain } to Adjusting Strap	1	
D236	19505081	Screw— $\frac{3}{8}$ " UNF. \times $\frac{1}{2}$ " } Dynamo (Generator)	2	
D237	9661201	Washer— $\frac{3}{8}$ " spring } to	2	
D238	9510050	Nut— $\frac{3}{8}$ " UNF. } Support Bracket	2	
		STARTER		See Electrical Equipment
	19106223	Bolt— $\frac{1}{2}$ " UNF. \times $2\frac{1}{2}$ " }	2	
	9661241	Washer— $\frac{1}{2}$ " spring } Starter Motor to Cylinder Block	2	
	9510060	Nut— $\frac{1}{2}$ " UNF. }	2	
A239	9214001	ENGINE DRAIN TAP	1	
A240	1200069	Drain Tube c/w Adaptor	1	
A241	9151206	Union	1	{ Not fitted on Production after Engine Nos. 2CO2473 and 2CO 51 (A.B.F.)
A242	9156058	Nut } Drain Tube to Cylinder Block	1	
A243	9157106	Olive }	1	
A244	9117043	Grommet—Drain Tube	1	
C245	1201140 (1218376)	FAN BLADE	1	
C245/1	P.107799	Fan Pulley	1	{ See Note 2— See also Special Note A— Page 47
	19504061	Screw— $\frac{1}{2}$ " UNF. \times $\frac{1}{2}$ " } Fan to	4	
	9660161	Washer— $\frac{1}{2}$ " spring } Pulley	4	
D246	P.103652 (1214758)	Belt—Fan and Dynamo (Generator)	1	
	1218376	FAN BLADE	1	
	1218308	Fan Pulley	1	
	19104101	Bolt— $\frac{1}{2}$ " UNF. \times $1\frac{1}{2}$ " } Fan to	4	{ See Note 3— Page 47
	9660161	Washer— $\frac{1}{2}$ " spring } Pulley	4	
	1218309	Belt—Fan and Dynamo (Generator)	1	
	1218377	Distance Piece	1	
		DISTRIBUTOR		See Electrical Equipment
		Distributor Bracket		{ See Engine (Motor) Unit— Page 40
	19404051	Bolt— $\frac{1}{2}$ " UNC. \times $\frac{1}{2}$ " } Distributor	2	
	9086003	Washer— $\frac{1}{2}$ " double coil spring } to Bracket	2	

ENGINE (Motor) UNIT — PETROL 1592 c.c.

Plate Ref.	Part Number	DESCRIPTION	No. per Veh.	REMARKS
		ENGINE (Motor) AUXILIARIES—continued		
D247	1201187	SUCTION PIPE—Distributor Auto Control	1	
D248	9156050	Nut } Distributor... ..	1	
D249	9157100	Olive } End	1	
D250	9156500	Nut } Carburettor	1	
D251	9157100	Olive } End	1	
D252	9176000	Clip—Suction Pipe to Cylinder Block	1	
		IGNITION COIL		See Electrical Equipment
D253	1208861	Ignition Coil Bracket	2	
	19505051	Screw— $\frac{1}{8}$ " UNF. \times $\frac{1}{2}$ "	2	
	9510050	Nut— $\frac{1}{8}$ " UNF.	2	
	9067027	Washer— $\frac{1}{8}$ " plain	2	
	9661201	Washer— $\frac{1}{8}$ " spring—Coil to Bracket	2	
	19505051	Screw— $\frac{1}{8}$ " UNF. \times $\frac{1}{2}$ "	2	
	9067027	Washer— $\frac{1}{8}$ " plain	2	
	9661201	Washer— $\frac{1}{8}$ " spring	2	
		PETROL (Fuel) PUMP		{ See Petrol (Fuel) Pump— Page 44
		PETROL (Fuel) PIPES		{ See Petrol (Fuel) System
		Joint (Gasket)		{ See Petrol (Fuel) Pump— Page 44
		Insulator		
	29505111	Stud— $\frac{1}{8}$ " UNF. \times $1\frac{1}{2}$ " } Petrol (Fuel) Pump to Cylinder Block	2	
	9661201	Washer— $\frac{1}{8}$ " spring	2	
	9510050	Nut— $\frac{1}{8}$ " UNF.	2	
		ENGINE (Motor) SUPPORT PLATE—FRONT		
D254	1202644	Front Support Rubber—O.S. (R.H.)	1	
D255	1202645	Front Support Rubber—N.S. (L.H.)	1	
	9510050	Nut— $\frac{1}{8}$ " UNF.	4	
	9664202	Washer— $\frac{1}{8}$ " lock } Rubber to Support Plate	4	
	9067027	Washer— $\frac{1}{8}$ " plain	4	
	19505061	Bolt— $\frac{1}{8}$ " UNF. \times $\frac{1}{2}$ "	4	
	9067023	Washer— $\frac{1}{8}$ " plain	4	
	9664202	Washer— $\frac{1}{8}$ " shakeproof } Rubber to Bracket	4	
		ENGINE (Motor) REAR MOUNTING BRACKET		{ See Gearbox (Transmission) Unit
		OIL PRESSURE UNIT		{ See Electrical Equipment
	P.45432	PETROL (Fuel) PUMP AC-Delco	1	{ See Note 1—Also Note 4— Page 47 Not supplied
F256		Body Assembly		
F257	K.19260	Retainer—Filter Cover	1	
F258	K.19256	Glass Bowl	1	
F259	K.19258	*Gasket	1	
F260	K.19262	Cover	1	
F261	K.19257	Filter Gauze	1	
F262	K.19263	*Valve	2	
F263	K.19265	*Gasket	1	
F264	K.19264	Valve Plate	1	
F265	9050095	Valve Screw	2	
F266	39303100	Cover Screw—No 10 UNF. \times $\frac{1}{2}$ "	6	
F267	9660121	Washer— $\frac{1}{8}$ " spring	6	
F268	K.21471	*Diaphragm	1	
F269	K.9038 (K.10108)	Spring—Diaphragm	1	
F270	5220199	Washer—Rocker Pin	2	
F271	K.10481	Link	1	
F272	K.9039	Spring—Rocker Arm	1	
F273	K.24494	Rocker Arm	1	
F274	K.9033	Pin—Rocker	1	
F275	5220201	Clip—Rocker Pin	2	
F276	K.20322	Retainer—Oil Seal	1	

ENGINE (Motor) UNIT — PETROL 1592 c.c.

Plate Ref.	Part Number	DESCRIPTION	No. per Veh.	REMARKS
		ENGINE (Motor) AUXILIARIES—continued		
F277	K.17853	Washer—Oil Seal	2	
	1800218	PETROL (Fuel) PUMP—"UG" TYPE AC-Delco	1	Not supplied
	K.19260	Body Assembly	1	
	K.19256	Retainer—Glass Bowl	1	
	K.19258	Glass Bowl	1	
	K.19262	*Gasket	1	
	K.19257	Cover	1	
	K.19263	Filter Gauze... ..	1	
	K.19265	*Valve... ..	2	
	K.19264	*Gasket	1	
	9050095	Valve Plate	1	
	39303100	Valve Screw	2	
	9661121	Screw—No. 10 UNF. × ½" } Cover	6	
	K.21471	Washer—½" spring	6	
	K.10108	*Diaphragm	1	
	K.17853	Spring-Diaphragm	1	
	K.20322	Washer } Oil	2	
	5220199	Retainer } Seal	1	
	5031038	Washer—Rocker Pin	2	
	K.9039	Link	1	
	K.25587	Return Spring—Rocker Arm	1	
	K.9033	Rocker Arm	1	
	5220201	Pin—Rocker Arm	1	
F278	9151211	Circlip—Rocker Arm Pin	2	
F279	P.103727	Inlet and Outlet Union	2	
F280	P.44994	Heat Insulator	1	
F281	P.41602	Joint—Pump to Insulator } Petrol (Fuel) Pump	1	
		Joint—Insulator to Block } to	1	
		Stud—½" UNF. × 1½" } Cylinder Block	1	
		Washer—½" spring	1	
		Nut—½" UNF.	1	
	K.21463	PETROL (Fuel) PUMP—Repair Kit	1	
		PETROL (Fuel) PIPES	1	
	1800266	CARBURETTOR COMPLETE Solex	1	See Note 7—Page 47
	1800909	CARBURETTOR COMPLETE Solex	1	See Note 8—Page 47
		THROTTLE CHAMBER COMPLETE	1	
G282	5040291	Throttle Spindle	1	
G283	K.90017	Throttle Butterfly	1	
G284	K.25990	Throttle Butterfly Fixing Screw	2	
G285	9050002	Throttle Abutment Plate	1	
G286	5039459	Throttle Abutment Plate Distance Washer	1	
G287	K.26027	Throttle Slow Running Adjustment Screw	1	
G288	5039460	Throttle Slow Running Adjustment Screw Spring	1	
G289	K.11432	Throttle Lever	1	
G290	1203543	Throttle Lever Distance Washer	1	
G291	K.26027	Intermediate Lever	1	
G292	5038906	Pump Control Rod	1	
G293	5038994	Throttle Spindle End Nut	2	
G294	K.11445	Volume Control Screw	1	
G295	5037825	Volume Control Screw Spring	1	
G296	K.11432	Throttle Chamber Gasket	2	
G297	K.25991	Insulating Washer	1	
G298	5040300	Throttle Chamber Fixing Screw	4	
G299	9050020	Throttle Chamber Fixing Screw Washer... ..	4	
G300	L.765 (5200521)			

ENGINE (Motor) UNIT—PETROL 1592 c.c.

Plate Ref.	Part Number	DESCRIPTION	No. per Veh.	REMARKS
		ENGINE (Motor) AUXILIARIES—continued		
G301	5040294	FLOAT CHAMBER	1	
G302	K.30024	Float	1	
G303	K.25995	Float Spindle	1	
G304	K.25997	Float Chamber Gasket	1	
G305	K.25998	Float Chamber Cover Complete	1	
G306	9050018	Float Chamber Assembly Screw	2	
G307	L.765 (5200521)	Float Chamber Assembly Screw Washer	2	
G308	5102558	NEEDLE VALVE COMPLETE	1	
G309	9077084	Needle Valve Washer	1	
1110-320	5058907	STARTER COMPLETE	1	
G310	5057922	Starter Valve Complete	1	
G311		Starter Body	1	} Not supplied
G312		Circlip	1	
G313		Starter Cover	1	
G314	K.12546	Starter Valve Locating Ball	1	
G315	K.12547	Starter Valve Locating Ball Spring	1	
G316	9050009	Starter Body Fixing Screw	4	
G317	5058908	Starter Lever Complete	1	
G318	K.11445	Starter Spindle End Nut	1	
G319	5057396	Starter Lever Cable Screw	1	
G320	K.12549 (K.12557)	Starter Lever Cable Locking Screw	1	
G321	5108648	CHOKE TUBE	1	
G322	K.11423	Choke Tube Fixing Screw	1	
G323	5102522	MAIN JET	1	
G324	K.13026	Main Jet Carrier Bolt	1	
G325	9077071	Main Jet Carrier Bolt Washer	1	
G326	5102587	Main Jet Correction Bleed	1	
G327	5107412	Emission Tube	1	
G328	5102490	Auxiliary Jet	1	
G329	5102689	Auxiliary Jet Air Bleed	1	
G330	5102648	Petrol Jet (G.S.)	1	
G331	9077083	Petrol Jet Washer	1	
G332	5040298	Pump Jet	1	
G333	9077083	Pump Jet Washer	1	
G334	K.19650	Economy Jet Blank	1	
G335	9077083	Economy Jet Blank Washer	1	
G336	5040299	Pump Bleed Valve	1	
G337	K.22416	Pump Filter Gauge	1	
G338	9077083	Pump Non-Return Valve Washer	1	
G339	5039219	Injector Assembly Tube	1	
G340	K.21744	Injector Assembly Washer	1	
G341	K.12569	Injector Assembly Fixing Screw	1	
G342	5039786	PUMP COMPLETE	1	
G343	9050003	Pump Cover Fixing Screw	2	
G344	K.25997	Pump Base Washer	1	
G345	9050004	Pump Fixing Screw	4	
G346	K.24509 (5040453)	Pump Control Rod Spring	1	
G347	K.22581	Pump Control Rod Washer	1	
G348	9206005	Pump Control Rod Circlip	1	
G349	9151402	Union	1	
G350	9077078	Washer	1	
	K.26005	Flange Washer	1	

ENGINE (Motor) UNIT — PETROL 1592 c.c.

Plate Ref.	Part Number	DESCRIPTION	No. per Veh.	REMARKS
		ENGINE (Motor) AUXILIARIES—continued		
	1201187	SUCTION PIPE ASSEMBLY—Carburettor to Distributor ...	1	
	9156050	Nut } Distributor... ..	1	
	9157100	Olive } End... ..	1	
	9156500	Nut } Carburettor	1	
	9157100	Olive } End	1	
	9176000	Suction Pipe Clip	1	
	P.103781	Gasket—Carburettor to Manifold	1	
		Note 1. Replacement Petrol (Fuel) Pumps are available in part exchange for the original units.		
		Note 2. Used prior to introduction Nos. listed in Note 3.		
		Special Note A. Fan Blade 1201140, is no longer available. Customers must order and fit— 1218376 Fan Blade — 1 off; 1218377 Distance Piece—1 off (located between Pulley and Fan); 19104101 Setscrew — 4 off.		
		Note 3. Used on and after Chassis Nos.— Petrol Home Models 223536, Petrol Export Models 223417, 223420, 223426, 223458, 223459, 223463, 223465 onwards — CKD 274063.		
		Note 4. Used prior to introduction Nos. listed in Note 5.		
		Note 5. Used on and after Chassis Nos.— 229218 — CKD 276547.		
		Special Note B. Introduction of a design change to the Petrol (Fuel) Pump Flange Mounting position. Early type Petrol (Fuel) Pumps are fitted on the Rear Mounting Flange. Late type Petrol (Fuel) Pumps are fitted on the Forward Mounting Flange. Petrol (Fuel) Pumps are NOT interchangeable—supplies will be maintained of Early Type for Engines built prior to introduction of design change. See Fuel System (Petrol Models) for Petrol (Fuel) Pipe details.		
		Note 6. Introduction of New Breather Arrangement for North America only — Used on and after Engine No. 2CNA—197. Chassis No. 230412.		
		Note 7. Used prior to introduction Nos. listed in Note 8.		
		Note 8. Introduction of a design change to the Carburettor Fuel Inlet thread size in the Top Cover. The Petrol (Fuel) Pipe is also altered by changing the Carburettor Sleeve Unit from $\frac{3}{8}$ " to $\frac{1}{2}$ ". See also Fuel System (Petrol Models) for Pipe changes. Introduced from Engine Nos.— 2CO 3043 2CO 7 North America 2CO 51 Associated British Foods.		

ENGINE (Motor) UNIT—DIESEL
AND
ENGINE (Motor) AUXILIARIES—DIESEL
4·99

ENGINE (Motor) UNIT — DIESEL 4-99

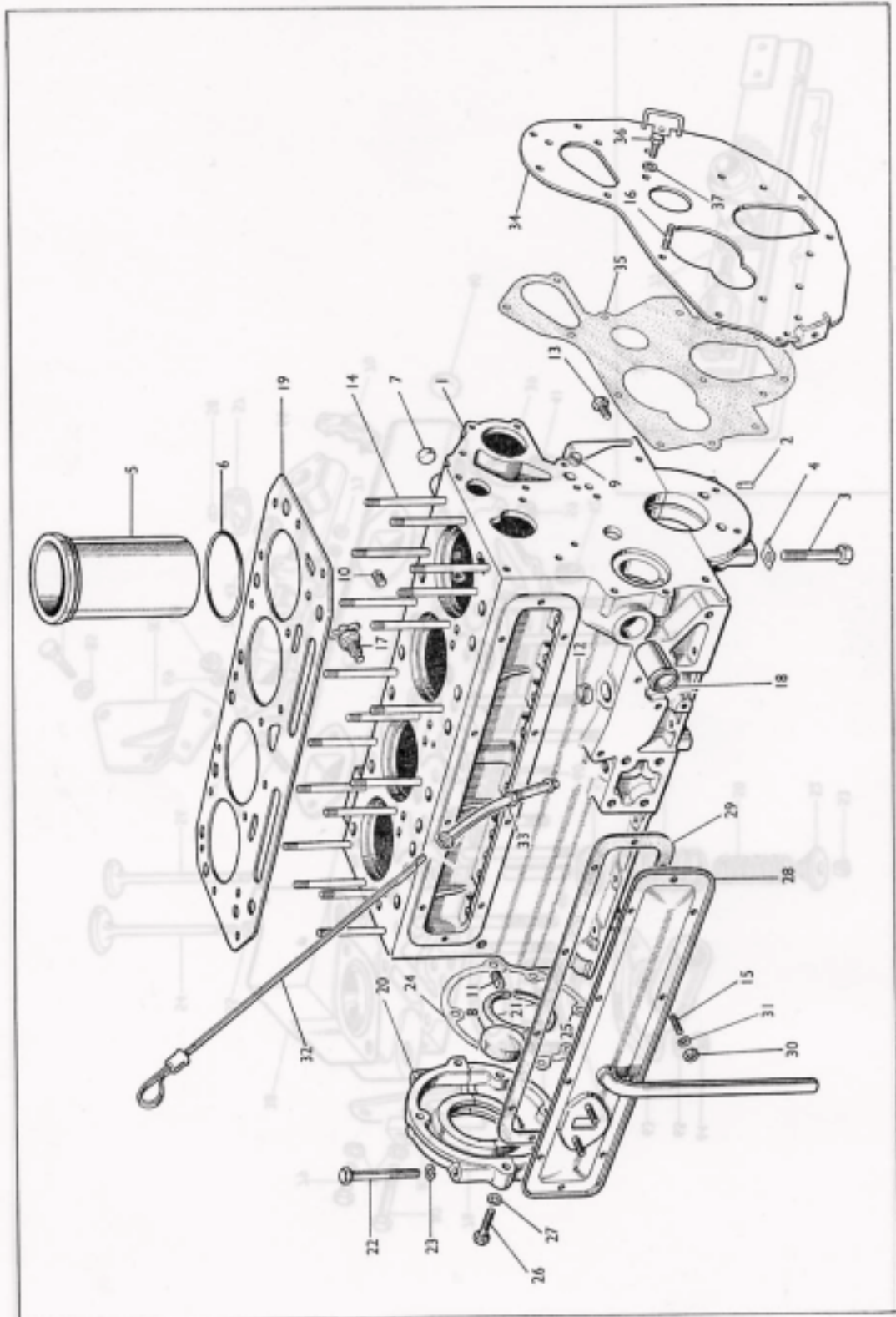


PLATE A

ENGINE (Motor) UNIT — DIESEL 4-99

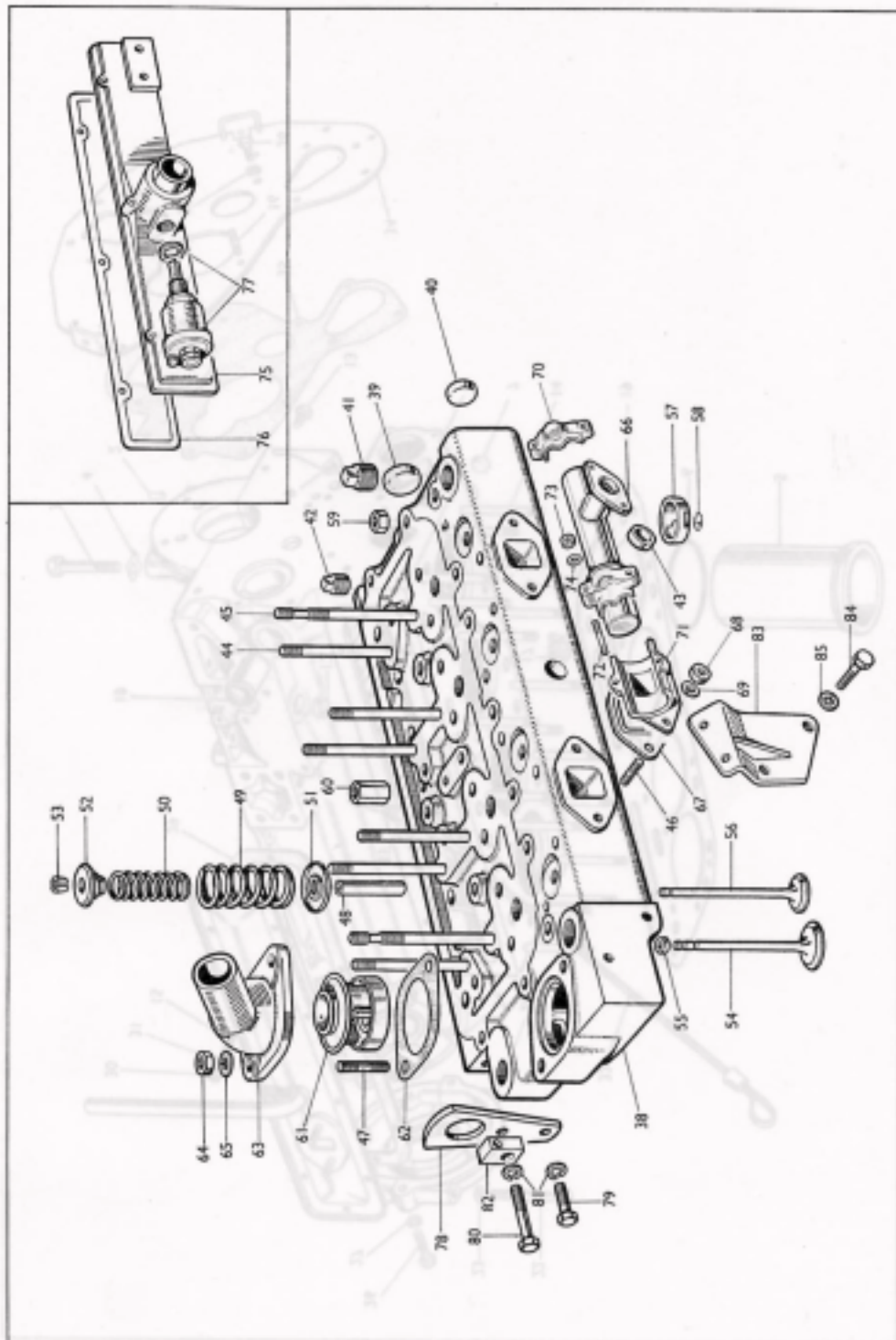


PLATE B

ENGINE (Motor) UNIT — DIESEL 4-99

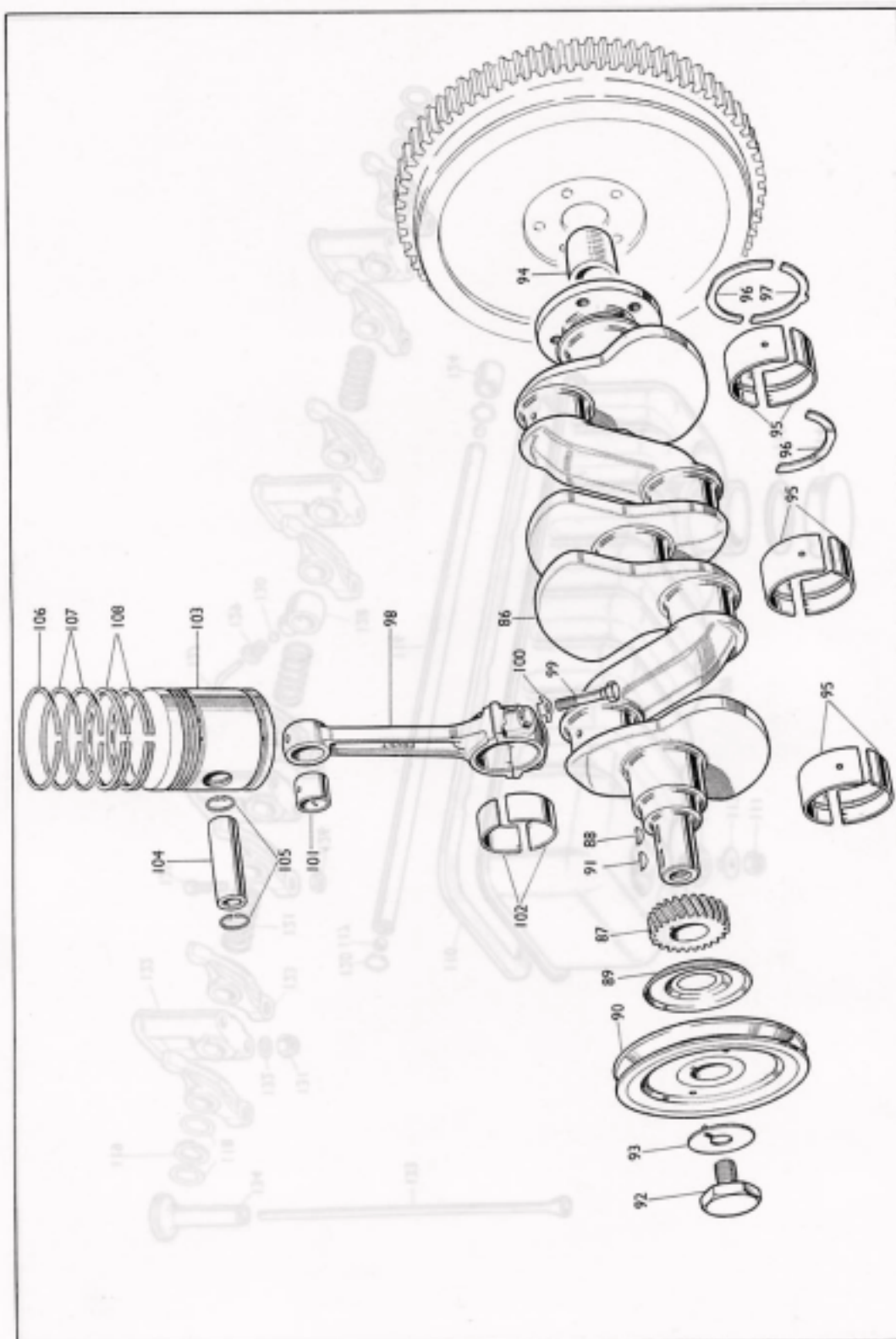


PLATE C

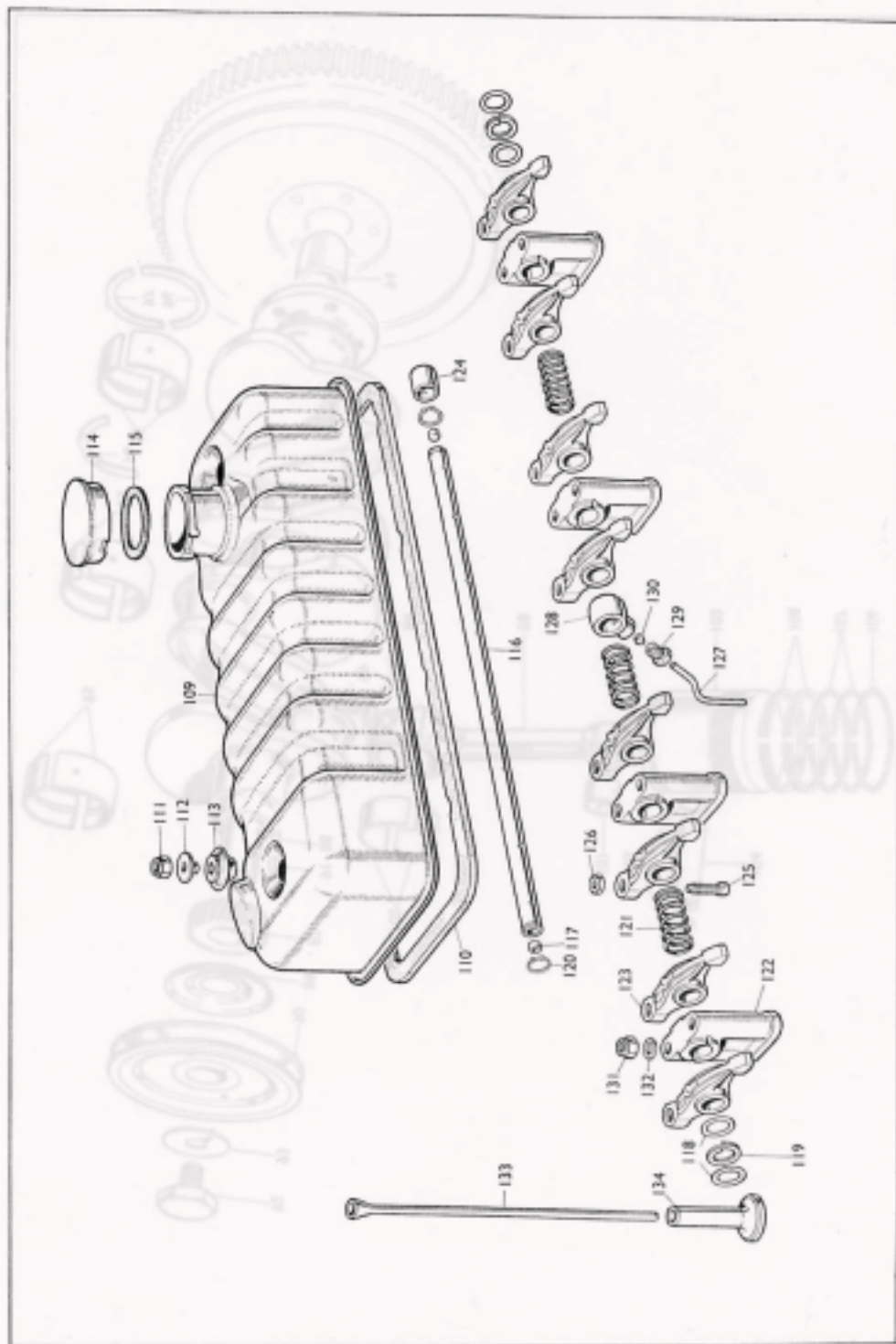


PLATE D

ENGINE (Motor) UNIT — DIESEL 4-99

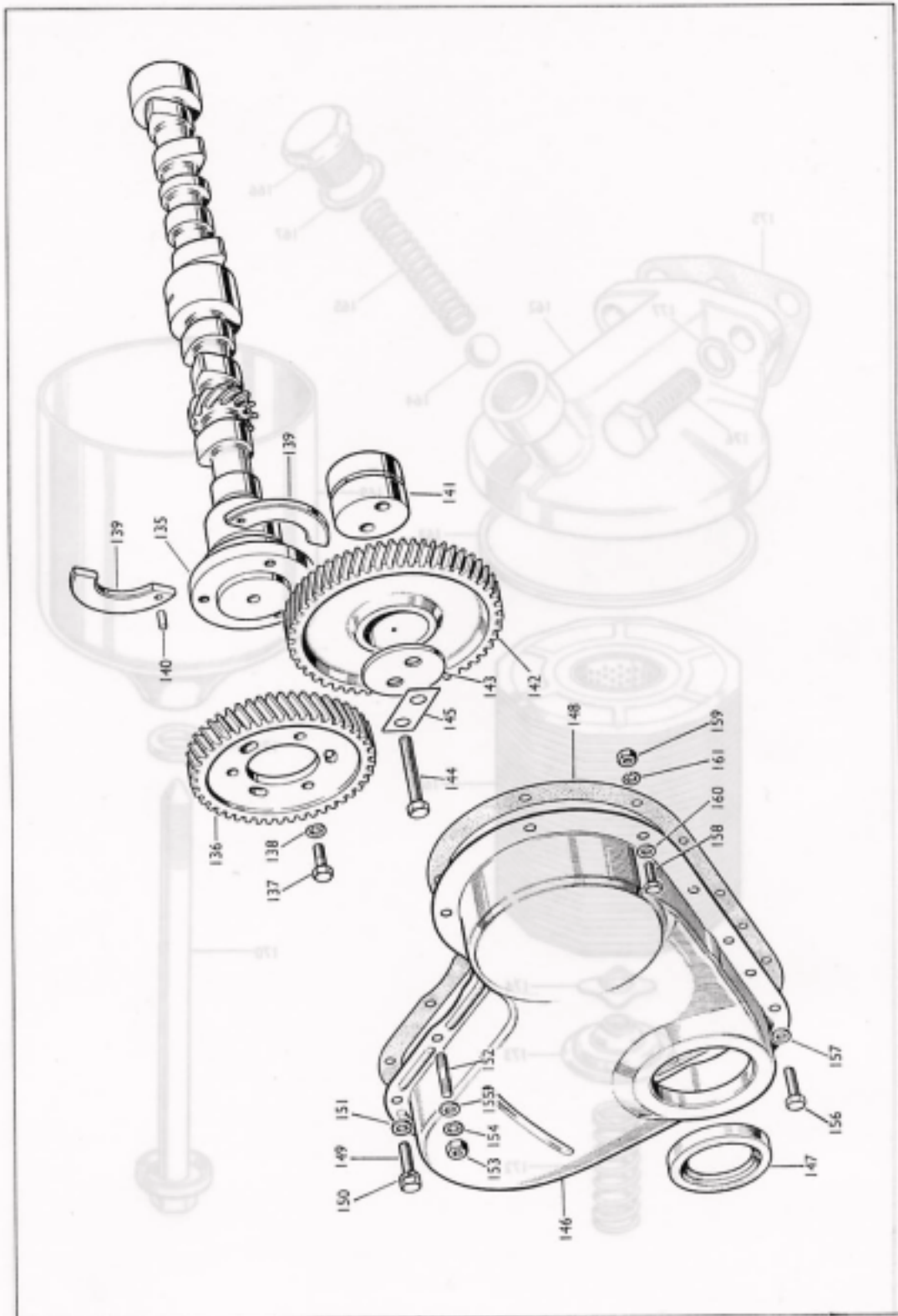


PLATE E

ENGINE (Motor) UNIT — DIESEL 4-99

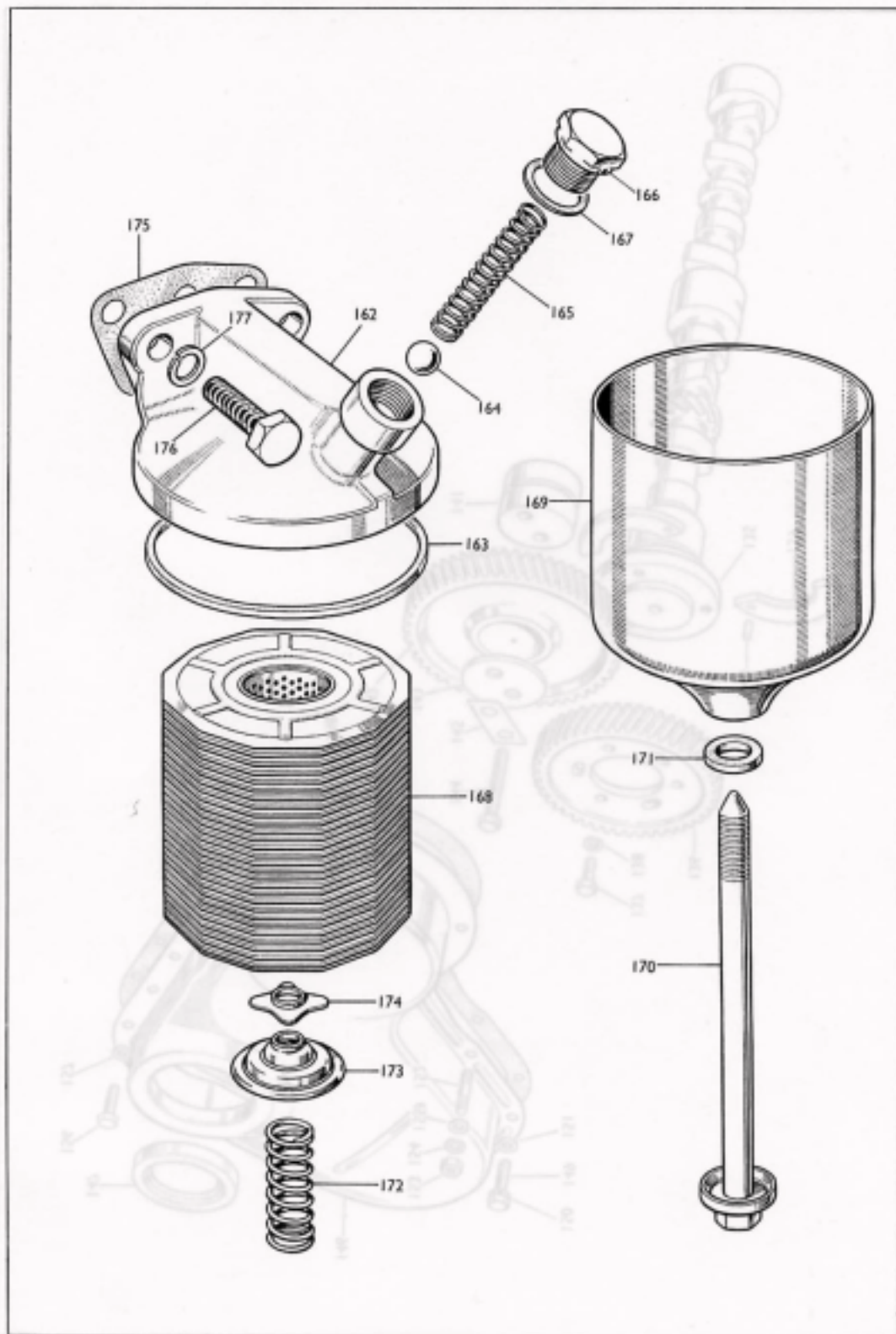


PLATE F

ENGINE (Motor) UNIT — DIESEL 4-99

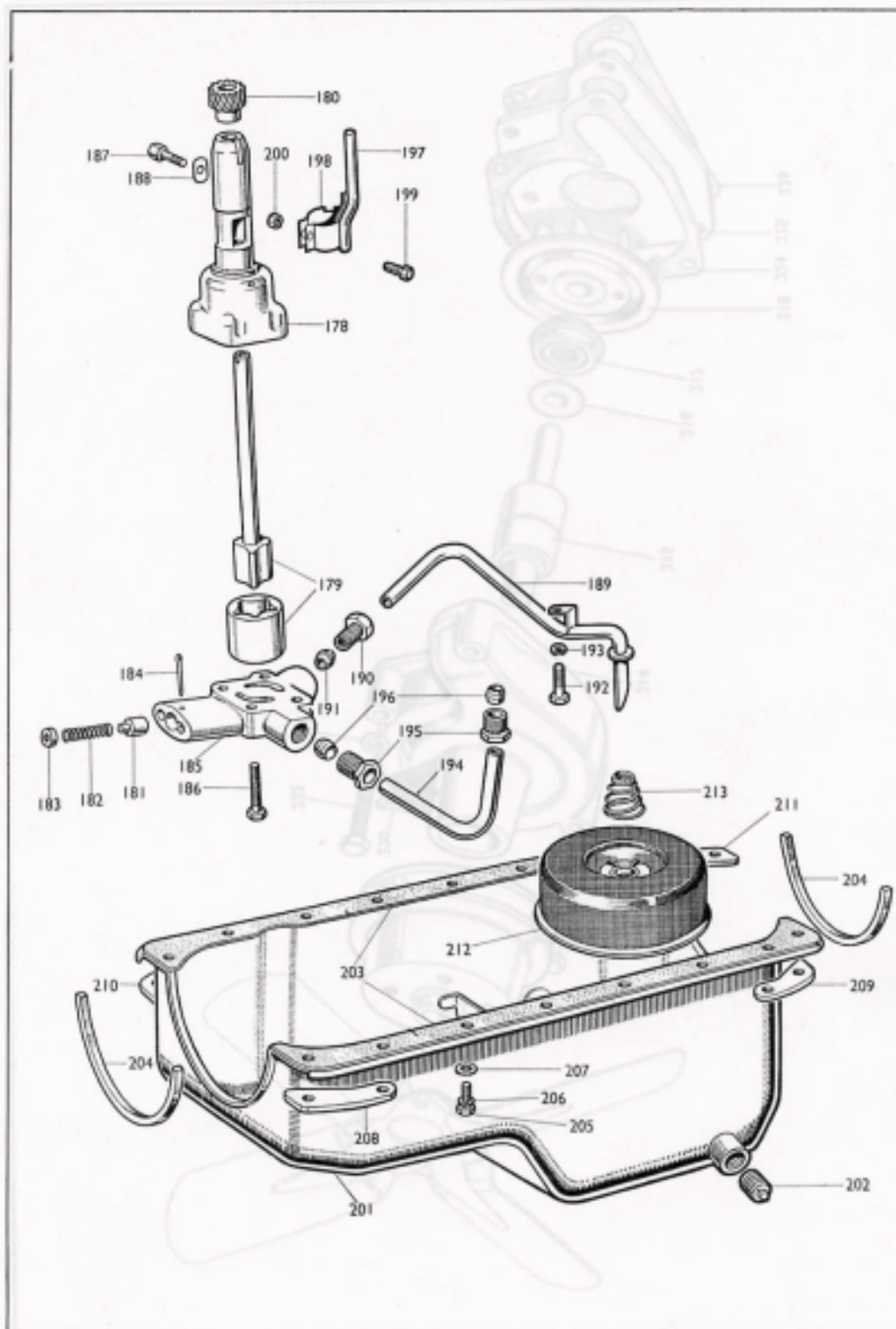


PLATE G

ENGINE (Motor) UNIT — DIESEL 4-99

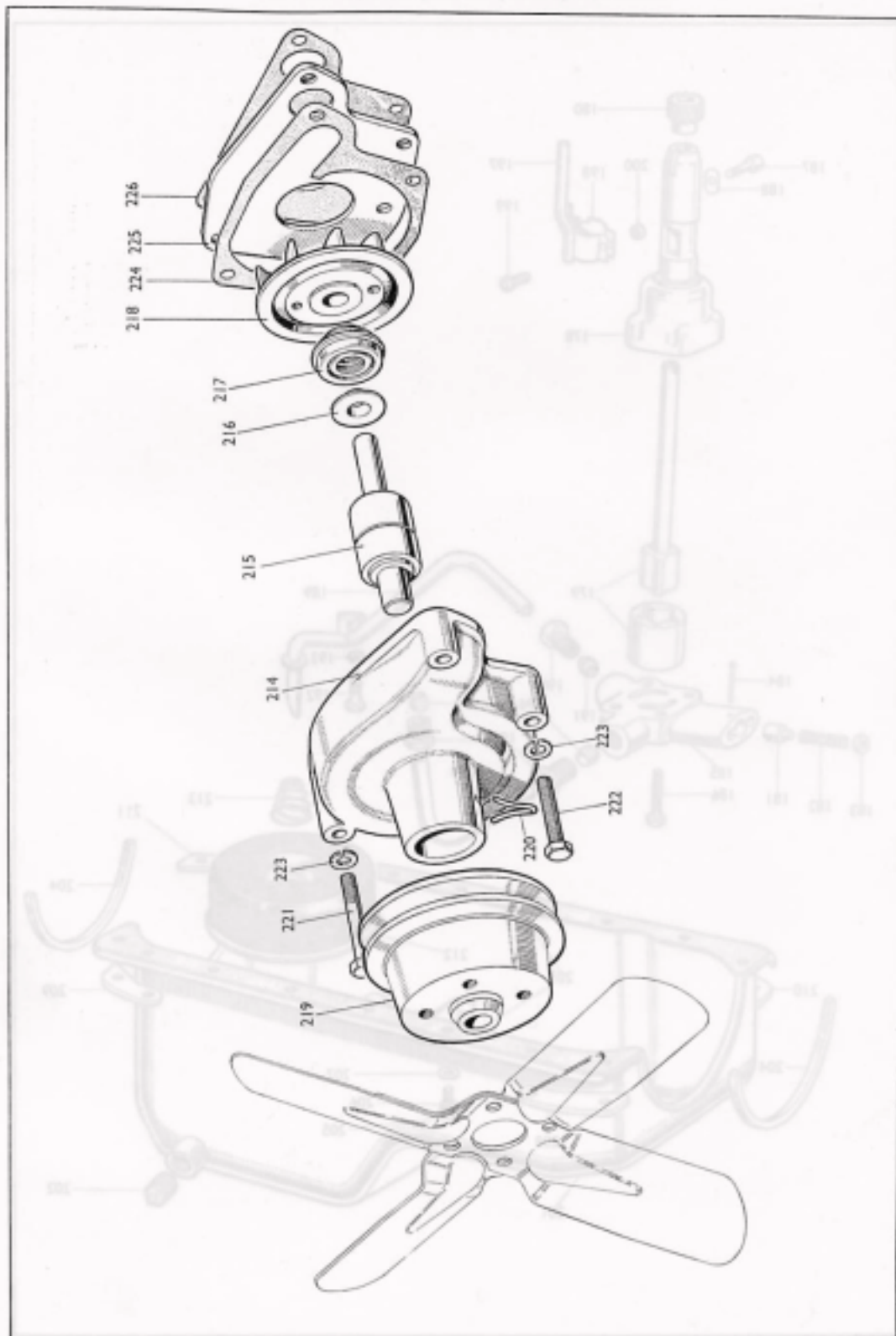


PLATE H

ENGINE (Motor) UNIT — DIESEL 4-99

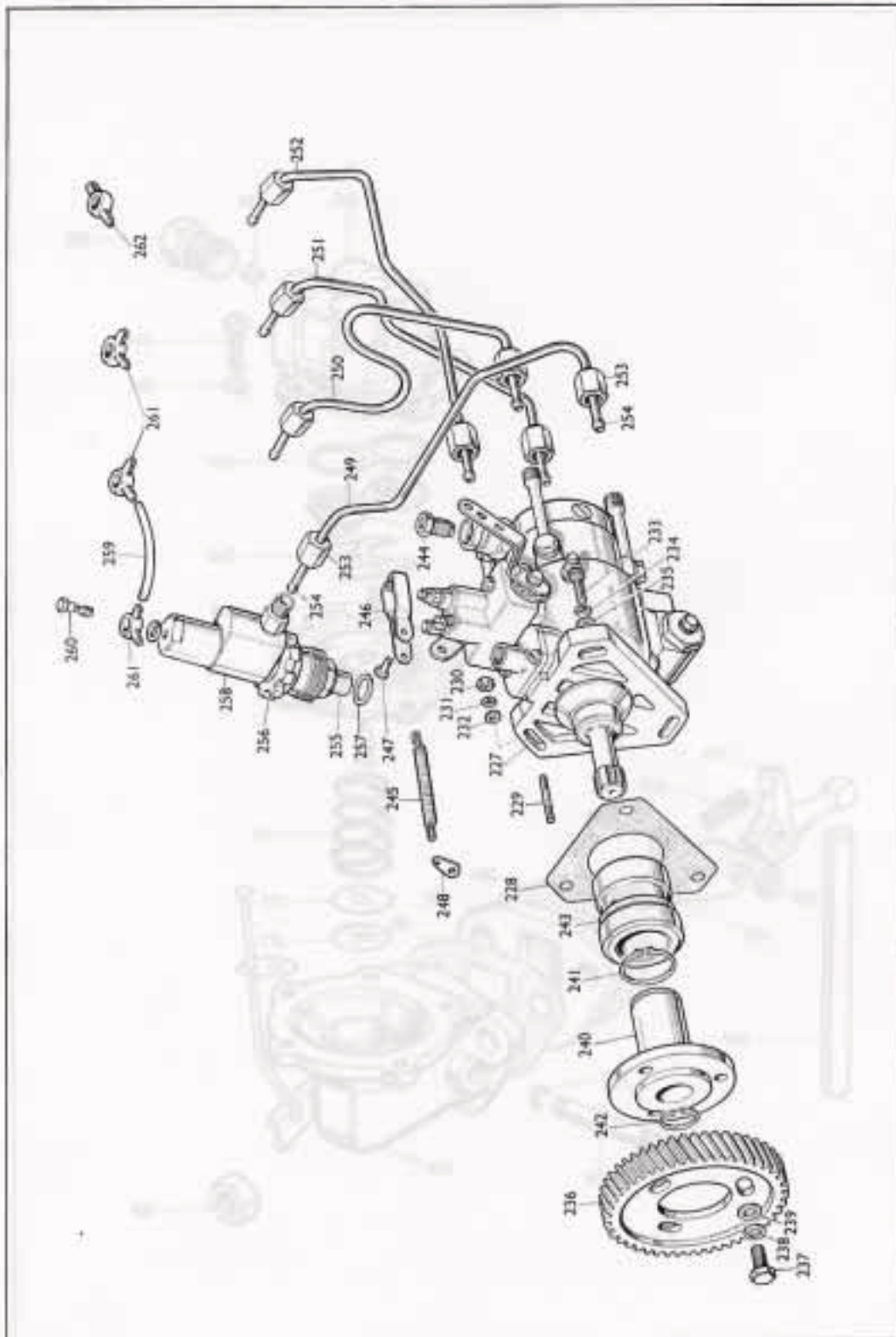


PLATE 1

ENGINE (Motor) UNIT — DIESEL 4-99

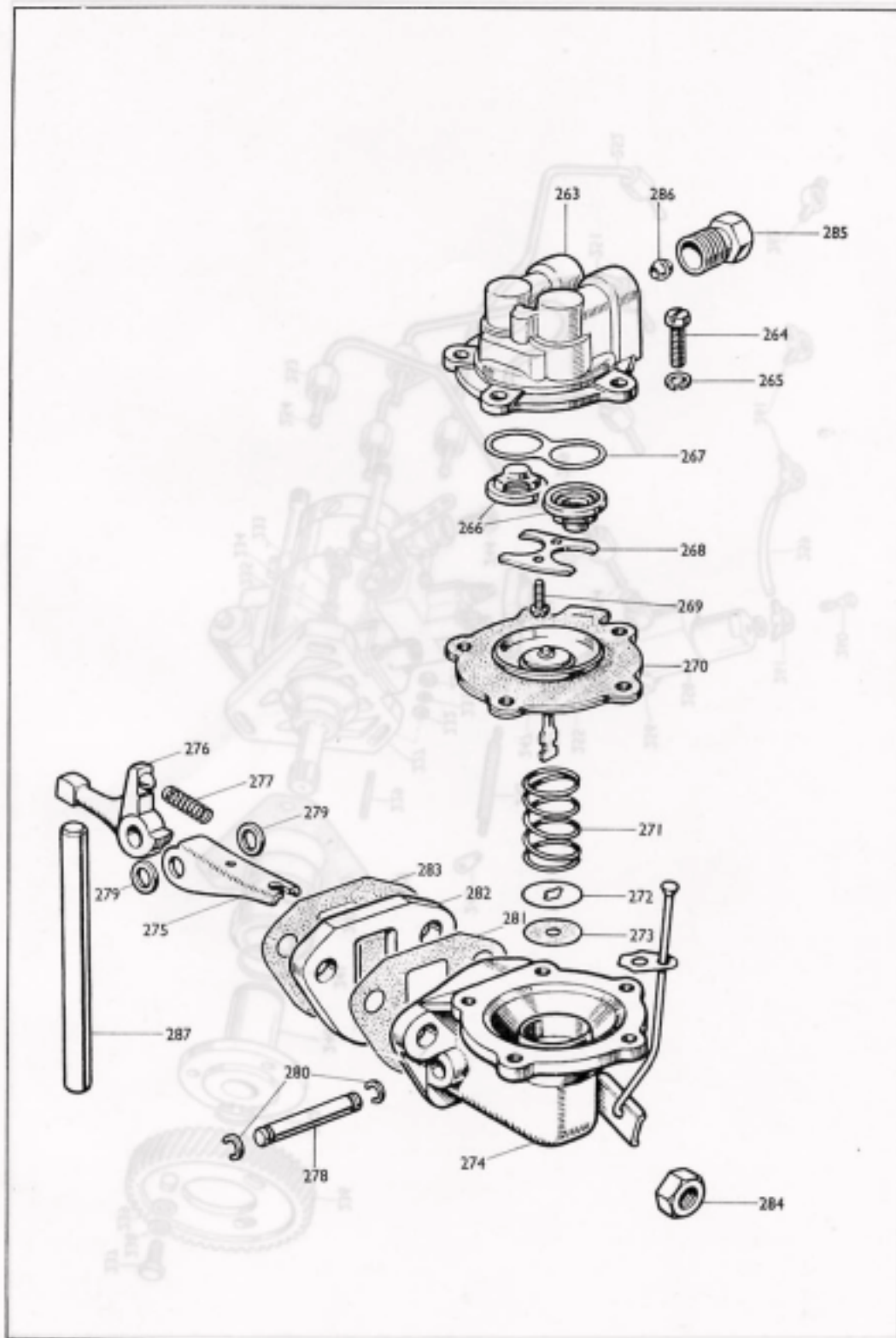


PLATE J

ENGINE (Motor) UNIT — DIESEL 4-99

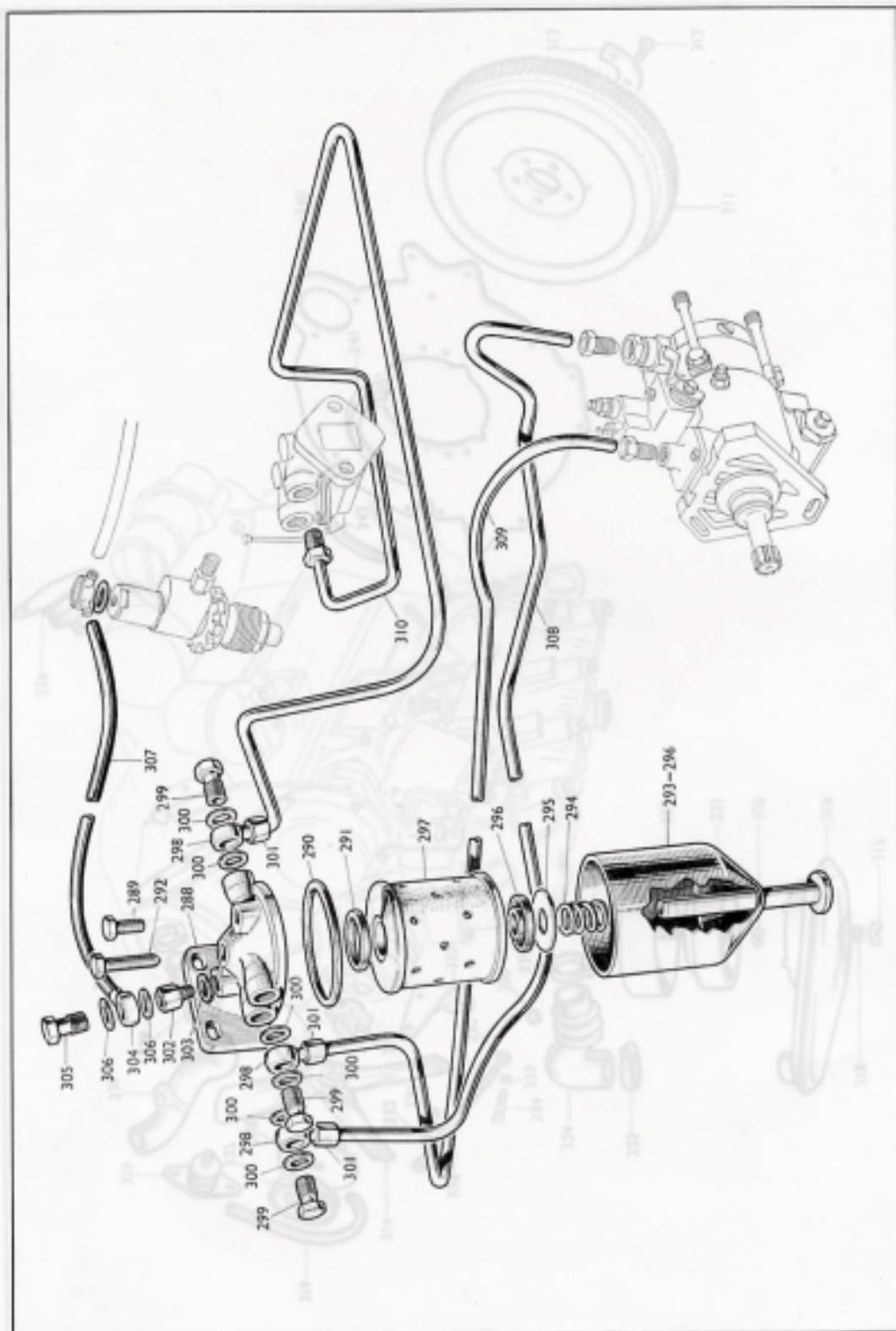


PLATE K

ENGINE (Motor) UNIT — DIESEL 4-99

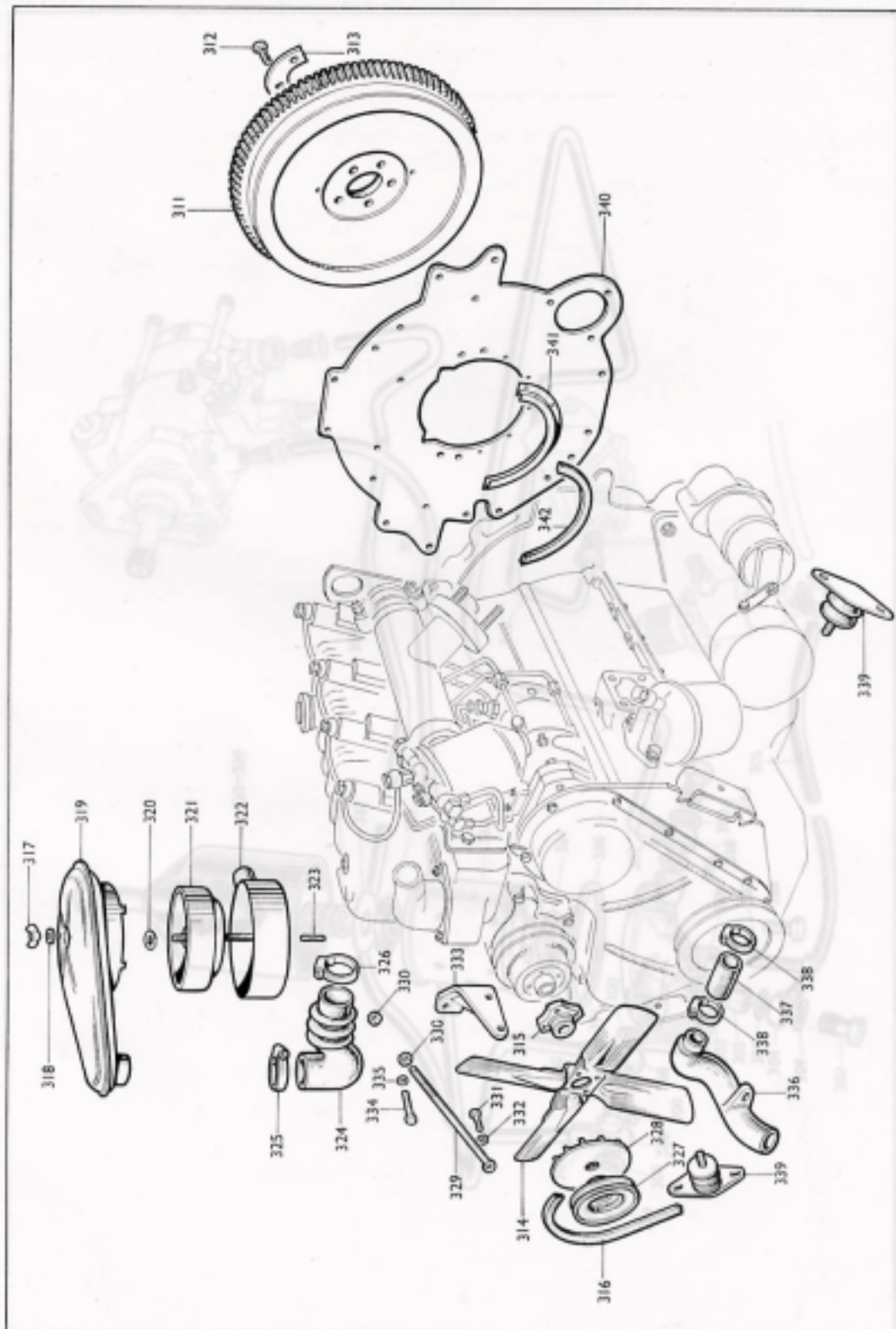


PLATE L

ENGINE (Motor) UNIT — DIESEL 4-99 — CYLINDER BLOCK

Plate Ref.	Part Number	DESCRIPTION	No. per Veh.	REMARKS
		Note A. Serial Numbers of Engines detailed in this Section commence at 700251.		
	120370 (1218137)	ENGINE (Motor) UNIT	1	Used prior to Engine No. 7050014
	1218137	ENGINE (Motor) UNIT	1	
A1	5033680 (5034326)	CYLINDER BLOCK ASSEMBLY	1	Used on and after Engine No. 7050014 See Notes 1, 2, 6—Page 6
	5034326	CYLINDER BLOCK ASSEMBLY	1	
	5034882	CYLINDER BLOCK ASSEMBLY	1	Used on and after Engine No. 7073979—See also Crankshaft Main Bearing Packs—Page 69
		Main Bearing Cap—Front Main Bearing Cap—Centre Main Bearing Cap—Rear		
A2	5032137	Drwal	6	Not supplied
A3	9003226	Setscrew— $\frac{1}{2}$ " UNC. \times 3 $\frac{1}{2}$ "	6	
A4	5033553	Tab Washer	6	Alternative
	5034664	Shim Washer	6	
A5	5033565	Cylinder Block Liner	4	See Note 2—Page 64
	5034327	Cylinder Block Liner	4	
A6	9107104	Seal—Cylinder Block Liner	4	See Note 3—Page 64
	5034328	Seal—Cylinder Block Liner	4	
	5034328	Seal—Cylinder Block Liner	6	See Note 7—Page 64
A7	9101830	Plug—Cylinder Block Water Jacket	1	
A17	5031646	Cylinder Block Drain Cock	1	
A18	5033504	Connection—Cylinder Block Water Inlet	1	
A8	9101849	Plug—Cylinder Block Camshaft Chamber—Rear	1	
A9	9101820	Plug—Cylinder Block Lubricating Oil Pressure Rail	2	
A10	9804410	Plug—Cylinder Block Lubricating Oil Pressure Switch Bore	1	See Electrical Equipment
		Cylinder Block Lubricating Oil Pressure Switch		
A11	9804420	Plug—Cylinder Block—Alternative Draincock Position	1	
A12	9101828	Plug—Cylinder Block—Tachometer Drive Facing	1	
A13	P.49375	Plug—Cylinder Block—L.H. Side	2	
A14	29900349	Stud—Cylinder Block to Cylinder Head	18	See Note 4 } See Note 5 } Page 64
	5034525	Stud—Cylinder Block to Cylinder Head	18	
A15	29900370	Stud—Cylinder Block to Tappet Inspection Cover	10	See Note 1 }
	5031820	Washer—Cylinder Block to Tappet Inspection Cover Stud	10	
A16	29705162	Stud—Cylinder Block to Engine Front Mounting Plate and Timing Gear Housing	1	
	5032839	Stud—Cylinder Block to Fuel Oil Injection Pump	2	
A19	5033566	CYLINDER HEAD GASKET	1	
A20-A23	5033567	COVER ASSEMBLY—CRANKSHAFT REAR END OIL SEAL	1 pr.	
A21	5033695	Oil Seal—Crankshaft Rear End	2	
A22	19105201	Setscrew— $\frac{1}{4}$ " UNF. \times 2 $\frac{1}{2}$ "	2	Crankshaft Rear End Cover Clamping
A23	5032689	Washer— $\frac{1}{4}$ " Spring	2	
A24	5033568 (5034854)	Joint—Crankshaft Rear End Cover to Block	1	Used prior to Engine No. 7073890
A25	5033569 (5034854)	Joint—Crankshaft Rear End Cover to Rear Main Bearing Cap	1	
	5034854	Joint—Cylinder Block to Rear Oil Seal Covers	1	Used on and after Engine No. 7073890
A26	19505111	Setscrew— $\frac{1}{4}$ " UNF. \times 1 $\frac{1}{2}$ "	6	
A27	5032689	Washer— $\frac{1}{4}$ " Spring	6	

ENGINE (Motor) UNIT — DIESEL 4-99 — CYLINDER BLOCK

Plate Ref.	Part Number	DESCRIPTION	No. per Veh.	REMARKS
		ENGINE (Motor) UNIT—continued		
A28	5033570	Tappet Inspection Cover	1	
A29	5033571	Joint	1	
A30	9510050	Stud	10	} See Cylinder Block - Page 63
	19505061	Nut— $\frac{1}{8}$ " UNF.	1	
A31	5032889	Washer— $\frac{1}{8}$ " Spring	10	} See Note 1
A32	5033572	Inspection Cover	1	
A33	5034295	DIPSTICK	1	
A34	5033574 (5033852)	ENGINE (Motor) MOUNTING PLATE—FRONT	1	} Used prior to Engine No. 7007316
	5033852	Engine (Motor) Mounting Plate—Front... ..	1	
A35	5033575	Joint	1	} Used on and after Engine No. 7007316
A36	19505061	Setscrew— $\frac{1}{8}$ " UNF. $\times \frac{1}{2}$ " } Engine Front	4	
A37	5032889	Washer— $\frac{1}{8}$ " Spring } Mounting Plate to	4	
		Washer— $\frac{1}{8}$ " Spring } Cylinder Block	4	
		Note 1. Later Cylinder Block Assemblies are fitted with 19505061 Setscrew—1 off in place of 29900370 Stud—1 off } Front Centre Hole 9510050 Nut—1 off } on Tappet Cover		
		Note 2. Used prior to Engine No. 7030750.		
		Note 3. Used on and after Engine No. 7030750.		
		Note 4. Used prior to Engine No. 7023750.		
		Note 5. Used on and after Engine No. 7023750.		
		Note 6. Cylinder Block Assembly 5033680 is no longer available. Customers must order and fit Cylinder Block Assembly—5034326 and Appropriate Parts.		
		Special Note A. Cylinder Block Assembly 5034326 Revised. Component Parts comprising of, now limited to those shown. Remaining items (Studs, Plugs, etc.) must be ordered separately.		
		Note 7. 5034328 Seal—Cylinder Block Liner. Quantity increased to 8-off from Engine No. 7030763.		

ENGINE (Motor) UNIT — DIESEL 4-99 — CYLINDER HEAD

Plate Ref.	Part Number	DESCRIPTION	No. per Veh.	REMARKS
		ENGINE (Motor) UNIT—continued		
	5033681	CYLINDER HEAD ASSEMBLY—MAJOR	1	See Notes 1 & 5—Pages 67 and 68
	5033830	Cylinder Head Assembly—Major	1	
B38	5033682 (5033831)	Cylinder Head Assembly—Minor	1	See Notes 5 & 6—Page 68
	5033831 (5034624)	Cylinder Head Assembly—Minor	1	See Note 1—Page 67
B39	9101838	Plug } Cylinder Head	1	See Notes 6, 9, 11 & 12—Page 68
B40	9101831	Plug } Rear Face	1	
B41	5032503	Plug } Cylinder Head	3	
B42	5032523	Plug } Top Face	4	
B43	9101828	Plug—Cylinder Head—L.H. Face	1	
B44	29705283	Stud—Short } Cylinder Head to	6	Also Secures Cylinder Head Cover
B45	29900366	Stud—Long } Rocker Shaft Bracket	2	
B46	29705113	Stud—Cylinder Head to Exhaust Manifold	4	
B47	29706122	Stud—Cylinder Head to Water Outlet Connection	2	Used prior to Engine No. 7033856
	29900352	Stud—Cylinder Head to Water Outlet Connection	2	Used on and after Engine No. 7033856
	29900400	Stud—Cylinder Head to Atomizer Retaining Flange—Long	4	See Note 6—Page 68
	29705123	Stud—Cylinder Head to Atomizer Retaining Flange	4	
	9510050	Nut—Atomizer Retaining Flange—Securing	8	
	5034624 (5034816)	CYLINDER HEAD ASSEMBLY—MINOR	1	See Notes 10 & 13 & Special Note B—Page 68
	5034816	Cylinder Head Assembly—Minor	1	
	9101838	Plug } Cylinder Head	1	
	9101831	Plug } Rear Face	1	
	5032503	Plug } Cylinder Head	3	
	5032523	Plug } Top Face	4	
	9101828	Plug—Cylinder Head—L.H. Face	1	
B48	5033576	Valve Guide—Inlet and Exhaust	8	Used prior to Engine No. 7050014
	5034640	Valve Guide—Inlet	4	Used on and after Engine No. 7050014
	5034149	Valve Guide—Exhaust	4	
	29705283	Stud—Short } Cylinder Head to	6	Also secures Cylinder Head Cover
	29900366	Stud—Long } Rocker Shaft Bracket	2	
	29705113	Stud } Cylinder Head to	4	See Note 6—Page 68
	29900371	Stud } Exhaust Manifold	4	See Note 10—Page 68
	29706122	Stud—Cylinder Head to Water Outlet Connection	2	Used prior to Engine No. 7033856
	29900352	Stud—Cylinder Head to Water Outlet Connection	2	Used on and after Engine No. 7033856
	29900400	Stud—Cylinder Head to Atomizer Retaining Flange—Long	4	See Note 6—Page 68
	29705123	Stud—Cylinder Head to Atomizer Retaining Flange	4	
	9510050	Nut—Atomizer Retaining Flange—Securing	8	
B49	5032756	Valve Spring—Outer } Inlet and	8	
B50	5032755	Valve Spring—Inner } Exhaust	8	
B51	5033577	Valve Spring Seat	8	
B52	5033578	Valve Spring Cap—Inlet	4	
	5033869	Valve Spring Cap—Exhaust	4	
B53	5032071	Cotter—Valve Spring Cap	8 prs.	

ENGINE (Motor) UNIT — DIESEL 4-99 — CYLINDER HEAD

Plate Ref.	Part Number	DESCRIPTION	No. per Veh.	REMARKS
		ENGINE (Motor) UNIT—continued		
B54	5033579	INLET (Intake) VALVE	4	
B55	9107005	Inlet Valve Seal	4	
B56	5033580	EXHAUST VALVE	4	
B57	5033874	Insert—Combustion Chamber	4	
B58	5033582	Washer—Insert Locking	4	
	1206973 (9217352)	Thermometer Adaptor	1	When Thermometer fitted
		CYLINDER HEAD GASKET		} See Cylinder Block— Page 63
		Stud—Cylinder Head to Cylinder Block		
B59	9029171	Nut—1" UNF.	13	
B60	9029172	Nut—1" UNF.	5	
B61	5033583	THERMOSTAT	1	} Used prior to Engine No. 7033856—See also
B62	5032263	Joint—Cylinder Head to Water Outlet Connection	1	
B63	5033564	Connection—Cylinder Head to Water Outlet	1	} See Cylinder Head Assy. (Minor)—Page 65
		Stud—Cylinder Head to Water Outlet Connection		
	5034507	Thermostat	1	} Used on and after Engine No. 7033856 } See Cylinder Head Assy. (Minor)—Page 65
	5034508	Ring—Sealing—Thermostat to Water Outlet Connection	1	
	5034509	Joint—Cylinder Head to Water Outlet Connection	1	
	5034510	Connection—Cylinder Head to Water Outlet	1	
		Stud—Cylinder Head to Water Outlet Connection		
B64	5032403	Nut	2	
B65	5032890	Washer	2	
B66	5033584 (5033832)	EXHAUST MANIFOLD	1	} Used prior to Engine No. 7007458—See also Note 8—Page 68
	5033832	Exhaust Manifold	1	
	5034623	Exhaust Manifold	1	} Used on and after Engine No. 7050014
		Exhaust Manifold	1	
B67	5033585	Joint	2	} See Cylinder Head Assembly (Minor)—Page 65
		Stud	2	
B68	5032401	Nut	4	
B69	5032886	Washer	4	
B70	5033688	Clamp	1	} Used prior to Engine No. 7007458
B71	5033687 (5033833)	Adaptor } Exhaust Manifold	2	
	5033833	Adaptor	2	
B72	29805162	Stud—Exhaust Manifold Adaptor to Clamp	4	} Used prior to Engine No. 7050014
B73	5032401	Nut	4	
B74	5032886	Washer } Retaining	4	} See Note 2 } Page 67
B75	5033672	INDUCTION MANIFOLD	1	
	5033854	Induction Manifold	1	} See Note 3 } Page 67
	5034335	Induction Manifold	1	
	19505041	Plug—Induction Manifold	1	} See Note 4—Page 67
	9077088	Washer—Cylinder Block Plug	1	
B76	5033673	Joint	1	
	19105121	Setscrew	4	} Used prior to Engine No. 7059346
	19505131	Setscrew	1	
	19105121	Setscrew	3	} Used on and after Engine No. 7059346 up to 7064982
	19105121	Induction Manifold	3	
	19105121	Setscrew	4	} Fitted from Engine No. 7064982
	19105181	Setscrew—Long	1	
	5032889	Washer	5	

ENGINE (Motor) UNIT — DIESEL 4-99 — CYLINDER HEAD

Plate Ref.	Part Number	DESCRIPTION	No. per Veh.	REMARKS
		ENGINE (Motor) UNIT—continued		
B77	P.46350 (5039241)	Heater—Cold Starting Aid	1	{ Used prior to Chassis No. 1500/-/003836—CKD 1500/-/700547
	5033855	Heater—Cold Starting Aid	1	{ Used on and after Chassis No. 1500/-/003836—CKD 1500/-/700547
	5034423	Heater—Cold Starting Aid	1	{ Used on and after Engine No. 7050819
		Union—Heater to Reservoir Pipe		{ See Fuel System—Diesel Models
B78	5033586	ENGINE LIFTING PLATE—FRONT AND REAR ...	2	
B79	19506061	Setscrew— $\frac{1}{2}$ " UNF, $\times \frac{1}{4}$ "	3	{ Also secures Dynamo Pivot Block
B80	19106121	Setscrew— $\frac{3}{4}$ " UNF, $\times \frac{1}{4}$ " } Engine Lifting Plate	1	
B81	5032890	Spring Washer	4	
B82	5033669	Dynamo Pivot Block	1	
B83	5033663	FUEL OIL FILTER SUPPORT BRACKET	1	
B84	19505061	Setscrew— $\frac{3}{4}$ " UNF, $\times 2"$ } Bracket to	2	
B85	5032889	Washer } Cylinder Head	2	
		Note 1. 5033681, Cylinder Head Assembly—Major and 5033682, Cylinder Head Assembly—Minor are no longer available and customers must order the special conversion parts to enable the new type Cylinder Head to be supplied with the appropriate Exhaust Manifold and Fuel Injection Pipes, etc. Details as follows:—		
		5033831 Cylinder Head Assembly (Minor) ...	1	
		5033832 Exhaust Manifold	1	
		5033833 Adaptor—Exhaust Manifold	2	
		K.28844 Banjo Connection—Fuel Pump—No. 1 Cylinder	1	
		5033824 Pipes—Fuel Injection Assembly—Nos. 1 to 4 Cylinders	1 set	
		9151027 Union—Nozzle Holder Connection ...	4	
		5033836 Flange—Fuel Oil Atomizer Retaining ...	4	
		9510050 Nut—Atomizer Flange Securing	8	
		This Conversion Kit will only be required when replacing the original Cylinder Head on Engines prior to Engine No. 7007458.		
		Note 2. Used prior to Chassis No. 1500/-/003836; CKD Chassis No. 1500/-/700547.		
		Note 3. Used on and after Chassis No. 1500/-/003836 up to but not including Engine No. 7032556.		
		Note 4. Used on and after Engine No. 7032556 up to but not including Engine No. 7050014:— Manifolds are interchangeable providing 19505041 Plug and 9077088 Washer are also fitted.		
		Special Note A. Exhaust Manifold Adaptor 5033687 is no longer available. Customers must now order and fit Part No. 5033833, 2 off.		

ENGINE (Motor) UNIT—DIESEL, 4-99—CYLINDER HEAD

Plate Ref.	Part Number	DESCRIPTION	No. per Veh.	REMARKS
		ENGINE (Motor) UNIT—continued		
		Note 5. These Assemblies are no longer available and customers must order 5033831 Cylinder Head Assembly (Minor) together with additional Parts required.		
		Note 6. Used on and after Engine No. 7007458 up to and including Engine No. 7050013.		
		Note 7. Supplies of 5033564 Connection—Cylinder Head Water Outlet are no longer available and Customers must order and fit the following:— 5034510 Connection—Cylinder Head Water Outlet—1 off; 29900352 Stud—Cylinder Head Water Outlet Connection—2 off.		
		Note 8. Supplies of 5033584 Exhaust Manifold are no longer available and Customers must order and fit the following:— 5033832 Exhaust Manifold 5033833 Adaptor.	1 2	
		Note 9. Used prior to Engine No. 7050014.		
		Note 10. Used on and after Engine No. 7050014. Introduction of a revised Cylinder Head Assembly—(Minor) 5034624. Parts comprising now limited to those shown—i.e., Plugs and Valve Guides (Inlet and Exhaust). Customers are now required to order all Studs separately. This revised condition is also to conform with design change to the Exhaust Manifold, and Customers will note that the Exhaust Manifold Adaptor is no longer required on late Engines. When fitting late condition Exhaust Manifold (5034623), Customers must also order and fit the late condition Exhaust Pipe Assembly. For Details shown, see Exhaust System.		
		Note 11. 5034289 Cylinder Head Kit (Minor) is no longer available.— Customers must now order items comprising separately:— See Fuel Injection Pump—Page 76 for Details of Fuel Injection Pump and relevant details.		
		Note 12. You are advised that Cylinder Head Assembly, Part No. 5033831, has been superseded by Part No. 5034624 and that this supersession is now in effect. Please refer to Note 10—Page 68 for instructions relevant to the fitting of the latest Cylinder Head (Minor) Assembly.		
		Note 13. Used on and after Engine No. 7050014 and prior to Engine No. 7072478.		
		Note 14. Used on and after Engine No. 7072478 (See Note 4—Page 71) and Special Note B—Page 68.		
		Special Note B. You are advised that Cylinder Head Assembly—Minor, Part No. 5034624, has been superseded by Cylinder Head Assembly—Minor Part No. 5034816. Customers ordering and fitting the Revised Cylinder Head Assembly—Minor are further advised that they must also order and fit the following two items:— 5032356 Olive } Rocker shaft 9156513 Nut } Oil Feed Pipe	1 1	

ENGINE (Motor) UNIT — DIESEL 4-99 — CRANKSHAFT

Plate Ref.	Part Number	DESCRIPTION	No. per Veh.	REMARKS
		ENGINE (Motor) UNIT—continued		
C86	5033587	CRANKSHAFT	1	
C87	5033588	Crankshaft Gear	1	
C88	5200253	Key—Crankshaft Gear	1	
C89	5033589	Flange—Crankshaft Oil Thrower... ..	1	
C90	5033872	Crankshaft Pulley	1	
C91	5200253	Key—Crankshaft Pulley	1	
C92	5033528 (5034831)	Screw } Crankshaft Pulley	1	
C93	5033550 (5034832)	Tab Washer } Retaining	1	
C94	9200046	Bush—Clutch Shaft Pilot	1	
C95	5150851	CRANKSHAFT MAIN BEARING PACK — TOP AND BOTTOM HALVES (Pre-Finished)—Standard Size ...	1	
	5150852	Crankshaft Main Bearing Pack—Top and Bottom Halves (Pre-Finished)—010° Undersize	1	Each Pack comprises 6 Halves Used prior to Engine No. 7073979—See also Note 1—Page 70
	5150853	Crankshaft Main Bearing Pack—Top and Bottom Halves (Pre-Finished)—020° Undersize	1	
	5150854	Crankshaft Main Bearing Pack—Top and Bottom Halves (Pre-Finished)—030° Undersize	1	
	5151515	Crankshaft Main Bearing Pack—Top and Bottom Halves (Pre-Finished)—Standard Size	1	
	5151516	Crankshaft Main Bearing Pack—Top and Bottom Halves (Pre-Finished)—010° Undersize	1	Each Pack comprises 6 Halves Used on and After Engine No. 7073979 and in conjunction with Cylinder Block 5034882—See also Note 1—Page 70
	5151517	Crankshaft Main Bearing Pack—Top and Bottom Halves (Pre-Finished)—020° Undersize	1	
	5151518	Crankshaft Main Bearing Pack—Top and Bottom Halves (Pre-Finished)—030° Undersize	1	
	5151515	Crankshaft Main Bearing Pack—Top and Bottom Halves (Pre-Finished)—Standard Size	1	
C96-C97	5150861	Thrust Washer Set—Standard	1	Each Engine Set comprises 1 Top Half and 2 Bottom Halves. Rear Main Bearing only
	5150862	Thrust Washer Set—007° Oversize	1	
C98	5033591 (5034343)	CONNECTING ROD ASSEMBLY	4	Used prior to Engine No. 7034969—See also Note 5 Page 70
C99	5033689	Setscrew } Connecting Rod	8	
C100	5033551	Tab Washer } Cap to Rod	8	
C101	5033690	Bush—Connecting Rod—Small End	4	
	5034343	Connecting Rod Assembly	4	
	5033689	Setscrew } Connecting Rod	8	
	5033551	Tab Washer } Cap to Rod	8	
	5034354	Bush—Connecting Rod—Small End	4	
	5034355	Connecting Rod Assembly	4	
	5033689	Setscrew } Connecting Rod	8	
	5033551	Tab Washer } Cap to Rod	8	
	5034356	Bush—Connecting Rod—Small End	4	Used on and after Engine No. 7034969
C102	5150856	BIG END BEARING SET—TOP AND BOTTOM (Pre-Finished)—Standard Size	1	Each set comprises 8 halves See also Note 1—Page 70
	5150857	Big End Bearing Set—Top and Bottom (Pre-Finished)—010° Undersize	1	
	5150858	Big End Bearing Set—Top and Bottom (Pre-Finished)—020° Undersize	1	
	5150859	Big End Bearing Set—Top and Bottom (Pre-Finished)—030° Undersize	1	
C103-C106	5033592 (5033841)	PISTON ASSEMBLY—c/w Gudgeon Pin, Rings and Circlips—Standard Size	4	Used prior to Engine No. 7007685—See also Notes 2, 3 and 4—Page 70
C104	5033593	Gudgeon Pin	4	
C105	9204011	Circlip	8	
C106	5033594	Piston Ring—Compression—(Chrome)—Standard Size—Top Groove	4	
		Piston Ring—Compression—(Chrome)—Standard Size—Bottom Groove	4	

ENGINE (Motor) UNIT — DIESEL 4-99 — CRANKSHAFT

Plate Ref.	Part Number	DESCRIPTION	No. per Veh.	REMARKS
		ENGINE (Motor) UNIT—continued		
C107	5033595	Piston Ring—Compression—(Tapered)—Standard Size—2nd and 3rd Grooves	8	Used prior to Engine No. 7007685—See also Notes 2, 3 and 4
C108	5033596	Piston Ring—Scraper—(Slotted)—Standard Size—4th and Bottom Grooves	8	
	5033841 (5034357)	Piston Assembly—c/w Gudgeon Pin, Rings and Circlips—Standard Size	4	See Note 6
	5034357	Piston Assembly—c/w Gudgeon Pin, Rings and Circlips—Standard Size	4	
	5033593	Gudgeon Pin	4	Used on and after Engine No. 7007685 up to but not including Engine No. 7034969—See also Notes 2, 3 and 4 (1" dia. Gudgeon Pin)
	9204011	Circlip	8	
	5033842	Piston Ring—Compression—(Chrome)—Standard Size—Top Groove	4	
	5033595	Piston Ring—Compression—(Tapered)—Standard Size—2nd and 3rd Grooves	8	
	5033843	Piston Ring—Scraper—(Slotted)—Standard Size—4th and Bottom Grooves	8	
	5034358	Piston Assembly—c/w Gudgeon Pin, Rings and Circlips—Standard Size	4	
	5034359	Gudgeon Pin	4	Used on and after Engine No. 7034969 up to but not including Engine No. 7039365 (1 1/8" dia. Gudgeon Pin)
	9204013	Circlip	8	
	5033842	Piston Ring—Compression—(Chrome)—Standard Size—Top Groove	4	
	5033595	Piston Ring—Compression—(Tapered)—Standard Size—2nd and 3rd Grooves	8	
	5033843	Piston Ring—Scraper—(Slotted)—Standard Size—4th and Bottom Grooves	8	
	5034511 (5034867)	Piston Assembly—c/w Gudgeon Pin, Rings and Circlips—Standard Size	4	
	5034359	Gudgeon Pin	4	Used on and after Engine No. 7039365 (1 1/8" dia. Gudgeon Pin)
	9204013	Circlip	8	
	5034498 (5033842)	Piston Ring—Compression—(Parallel)—Standard Size—Top Groove	4	See Note 7
	5034501	Piston Ring—Compression—(Tapered)—Standard Size—Top Groove	4	
	5034499	Piston Ring—Compression—(Internally Stepped)—Standard Size—2nd and 3rd Grooves	8	
	5034500	Piston Ring—Scraper—(Slotted)—Standard Size—4th and Bottom Grooves	8	
		FLYWHEEL AND STARTER RING (Gear) ASSEMBLY		See Page 81
		Note 1. Bearings are pre-finished to size stated and require no final fitting by hand.		
		Note 2. Pistons require topping before final assembly. Refer to Service Literature.		
		Note 3. Oversize Pistons are not available, as the Cylinder Liners cannot be rebored.		
		Note 4. Early Pistons are no longer available and demands for 5033592 Piston Assembly will be met by the supply of 5033841 Piston Assembly.		
		Note 5. 5033591 Connecting Rod is no longer available and demands will be met by the supply of 5034543 Connecting Rod Assembly. Internal diameter of Connecting Rod small end boss is increased from 1.003" to 1.065". Care must be taken when ordering Small End Bushes to ensure that the bush of correct outside diameter to suit the Connecting Rod is ordered.		
		Note 6. 5033841 Piston Assemblies are no longer available and demands will be met by the supply of 5034357 Piston Assembly.		
		Note 7. 5034501 Piston Ring can only be used in partially-worn cylinder bores.		

ENGINE (Motor) UNIT — DIESEL 4-99 — CYLINDER HEAD COVER

Plate Ref.	Part Number	DESCRIPTION	No. per Veh.	REMARKS
D109	5033597	ENGINE (Motor) UNIT—continued		
D110	5033598	CYLINDER HEAD COVER	1	
		Joint	1	} See Cylinder Head— Page 65
		Stud	1	
D111	5032411	} Cylinder Head Cover	2	} See Notes 1 and 3
	9552053		Nut	
D112	5033549	Washer	2	} See Notes 2 and 3
D113	5033691	Seal—Cylinder Head Cover Retaining Nut	2	
D114	5031983	Cap—Cylinder Head Cover Oil Filler	1	
D115	5033600	Joint—Oil Filler Cap	1	
D116	5033601	ROCKER SHAFT e/w PLUGS	1	
D117	5032499	End Plug	2	
D118	9067293	Washer	4	} Rocker
D119	9086037	Spring Washer } Shaft End	2	
D120	5031995	Circlip—Rocker Shaft Locating	2	
D121	5033602	Spring	3	
D122	5033603	} Rocker Shaft	4	} See Notes 1 and 3
	5033819		Bracket	
D123	5033604	ROCKER LEVER e/w BUSH	8	} See Notes 2 and 3
D124	5031856	Bush	8	
D125	5033529	Screw—Tappet Adjusting	8	
D126	9520050	Lock nut	8	
D127	5033605 (5034834)	PIPE—ROCKER SHAFT OIL FEED	1	
D128	9159014	Connection—Rocker Shaft Oil Feed Pipe	1	
D129	9156513	} Rocker Shaft Oil Feed	1	} See Note 4
D130	5032356		Olive } Pipe Connection	
		Stud		} See Cylinder Head— Page 65
D131	5032411	Nut	8	
	9552053	Nut	8	} See Notes 1 and 3
		to Cylinder Head	8	
D132	5034815	} Introduction of a Phillips nut	8	} See Notes 2 and 3
	5032886		Washer	
D133	5033606	Push Rod	8	} Used prior to Engine No. 7006677
	5033818	Push Rod	8	
D134	5033607	Tappet	8	} Used on and after Engine No. 7006677
	5033817	Tappet	8	
		Note 1. Used prior to Engine No. 7007458.		
		Note 2. Used on and after Engine No. 7007458.		
		Note 3. Supplies of 5033603 Bracket—Rocker Shaft are no longer available. Customers must order and fit 5033819 Bracket—Rocker Shaft—4 off together with 9552053 Nut—Cylinder Head Cover and Rocker Shaft Bracket Retaining—10 off (8 for Rocker Shaft and 2 for Cylinder Head Cover). 5033603 Bracket—Rocker Shaft and 5033819 Bracket—Rocker Shaft are not interchangeable.		
		Note 4. Quantity increased from 1 off to 2 off on and after Engine No. 7072478. See also Notes 13, 14 and Special Note B—Page 68.		

ENGINE (Motor) UNIT — DIESEL 4-99 — TIMING GEAR

Plate Ref.	Part Number	DESCRIPTION	No. per Veh.	REMARKS
		ENGINE (Motor) UNIT—continued		
E135	5033608 (5034744)	CAMSHAFT	1	
E136	5033609	Camshaft Gear	1	
E137	19505061	Setscrew—Camshaft Gear to Camshaft	3	
E138	5032889	Washer	3	
E139	5033610	Thrust Plate—Camshaft	2	Early Condition
	5034618	Thrust Plate—Camshaft	1	Late Condition
E140	9844407	Dowel—Thrust Plate to Cylinder Block	1	
E141	5033611	Hub—Idler Gear	1	
E142	5033612	Idler Gear c/w Bush	1	
	5033692	Bush	1	
E143	5033613	Retaining Plate—Idler Gear	1	
E144	19506161	Setscrew—Retaining Plate and Hub to Cylinder Block	2	
E145	9090029	Tab Washer	1	
		Fuel Injection Pump Drive Gear		{ See Fuel Oil Injection Equipment—Page 77
E146	5033614	TIMING GEAR HOUSING ASSEMBLY	1	{ Used prior to Engine No. 7007316
	5033850	Timing Gear Housing Assembly	1	{ Used on and after Engine No. 7007316
		Ring—Timing Gear Housing Fuel Pump Gear—Inspection Hole c/w Studs	1	} See Note 1
		Joint—Fuel Pump Gear Inspection Hole—Ring and Cover	2	
		Cover—Fuel Pump Gear Inspection Hole	1	
		Nut—Cover Retaining	4	
		Washer	1	
E147	9102121	Oil Seal—Timing Gear Housing	1	
E148	5033618	Joint—Timing Gear Housing to Engine Front Mounting Plate	1	{ Used prior to Engine No. 7007316
	5033851	Joint—Timing Gear Housing to Engine Front Mounting Plate	1	{ Used on and after Engine No. 7007316
		Engine Front Mounting Plate		{ See Cylinder Block—Page 63
E149	19505071	Setscrew	4	
E150	9660201	Washer	4	
E151	5033820	Washer	6	}{ See Cylinder Block—Page 63
E152		Stud	6	
E153	9510050	Nut	1	
E154	5032889	Spring Washer	1	
E155	5033820	Washer	1	
	29705132	Stud	1	
	5032889	Washer	1	
	5032886	Washer—Plain	1	
E156	19505071	Setscrew	4	
	9660201	Washer	4	
E157	5032886	Washer	1	
	5033820	Washer	3	
E158	19504051	Bolt	4	
E159	5032397	Nut	4	
E160	5033821	Washer	4	
E161	5032888	Spring Washer	4	
	5033871	Timing Pin	1	
		Note 1. Fitted to early vehicles only. When replacements are required, Part No. 5033614 Timing Gear Housing should be ordered.		

ENGINE (Motor) UNIT — DIESEL 4-99 — LUBRICATING OIL SYSTEM

Plate Ref.	Part Number	DESCRIPTION	No. per Veh.	REMARKS
		ENGINE (Motor) UNIT—continued		
F162	5037648	FILTER AC-Delco	1	} Used prior to Engine No. 7011104
F163	5037650	Headcasting	1	
F164	9122180	Joint—Headcasting to Container	1	
F165	P.72045 (9187013)	Ball	1	
F166	K.30050	Spring } By-Pass Valve	1	
F166	9801663	Plug	1	
F167	9078042	Joint Washer—By-Pass Valve Plug	1	
F168	K.30052	ELEMENT	1	
F169	5037649	Container Assembly	1	
F170	5037660	Bolt—Container to Headcasting	1	
F171	K.26007	Sealing Washer	1	
F172	K.22447	Element Pressure Plate Spring	1	
F173	K.29765	Element Pressure Plate	1	
F174	K.29766	Spider Plate—Element Centraliser	1	
	5038396	FILTER AC-Delco	1	} Not supplied
	5038397	Headcasting	1	
	9122180	Joint—Headcasting to Container	1	
		Ball	1	
		Spring } By-Pass Valve	1	
		Valve Seat }	1	
	K.30052	ELEMENT	1	
	5038398	Container Assembly	1	
	5038400	Bolt—Container to Headcasting	1	
	K.26007	Sealing Washer	1	
	5038399	Element Pressure Plate Spring	1	
	K.29765	Element Pressure Plate	1	
	K.29766	Spider Plate—Element Centraliser	1	
F175	5033889 (5034286)	Joint	1	
	29707133	Stud ... Filter to	2	
	5032400	Nut ... Block	2	
	5032891	Washer	2	
F176	5034286 (5034754)	Joint	1	} Late Models
	19507101	Setscrew } Filter to Block	2	
F177	5032891	Washer }	2	
	5033683	LUBRICATING OIL PUMP ASSEMBLY	1	
G178	5033620	Body	1	} Not supplied
G179	5033735	Driving Shaft c/w Inner Rotor Pin and Outer Rotor	1	
G180	5033622	Driving Gear	1	
G181	5033623	Plunger } Relief	1	
G182	5033624	Spring } Valve	1	
G183	5033625	Retaining Cap	1	
G184	9830810	Split Pin	1	
G185	5033626	Cover	1	
G186	P.49321	Socket Screw—Cover to Body	4	
G187	9003174	Setscrew—Block to Pump	1	
G188	5033548	Tab Washer	1	} Further Supplies Not Available
G189	5033627	SUCTION PIPE—LUBRICATING OIL	1	
G190	9156560	Nut } Suction Pipe	1	
G191	9157125	Olive } to Pump	1	
G192	19505041	Setscrew } Suction Pipe Support Clip	1	
G193	5032889	Washer } to Main Bearing Cap	1	

ENGINE (Motor) UNIT—DIESEL 4-99—LUBRICATING OIL SYSTEM

Plan Ref.	Part Number	DESCRIPTION	No. per Veh.	REMARKS
		ENGINE (Motor) UNIT—continued		
G194	5033628	DELIVERY PIPE—LUBRICATING OIL	1	
G195	9156554	Nut } Delivery Pipe to	2	
G196	9157116	Olive } Pump and Block	2	
G197	5033629	Pipe—Lubricating Oil Pump Gear Spray	1	
G198	5033686	Clip—Pump Gear Spray Pipe Support	1	
G199	19503051	Bolt } Support	1	
G200	9034029	Nut } Clip	1	
G201	5033630	LUBRICATING OIL—SUMP	1	See Note 1
	5034296	Lubricating Oil—Sump	1	See Note 2
G202	5032503	Drain Plug	1	
G203	5033631	Joint—Side } Sump	1 pc.	
G204	5033632	Joint—Front and Rear }	2	
G205	19505061	Setscrew } Sump and Sufferer to Block	8	
	5032683	Setscrew }	8	
G206	5032889	Washer } Sump to	16	
G207	5032890	Washer } Block	7	
	5033820	Washer }	7	
G208	5033633	Sufferer—Front } L.H. Side	1	
G209	5033634	Sufferer—Rear } of Sump	1	
G210	5033635	Sufferer—Front } R.H. Side	1	
G211	5033636	Sufferer—Rear } of Sump	1	
G212	5033637	SUMP STRAINER	1	
G213	5033638	Spring—Strainer Positioning	1	
		Note 1. Used prior to Engine No. 700079.		
		Note 2. Used on and after Engine No. 700078. The latest type Sump can only be used with the greaseless type Track Rod Ends.		

ENGINE (Motor) UNIT — DIESEL 4-99 — WATER PUMP

Plate Ref.	Part Number	DESCRIPTION	No. per Veh.	REMARKS
H214- H223	5033639 (5033844)	ENGINE (Motor) UNIT—continued		
	5033844 (5034755)	WATER PUMP ASSEMBLY	1	See Note 1
	5034755	Water Pump Assembly	1	See Notes 2 and 3
	5034872	Water Pump Assembly	1	See Notes 4 and 5
H214	5033640 (5033845)	Water Pump Assembly	1	See Note 6
	5033845	Body	1	See Note 1
	5034756	Body	1	See Notes 2 and 3
	5034759	Body	1	See Notes 4 and 5
	5034888	Insert	1	
H215	5033641	Body	1	See Note 6
	5034758	Shaft	1	See Notes 3 and 4
	5034873	Shaft	1	See Notes 4 and 5
	5034874	Shaft	1	See Note 6
	5034875	Bearing	2	
	5034875	Circlip—Bearing Retainer	1	
H216	5033642	Flange } Shaft	1	See Notes 3 and 4
	5034757	Flange }	1	See Note 4
H217	P.86825	Seal	1	See Notes 3 and 4
	5034761	Seal	1	See Note 4
H218	5033643 (5033846)	Impellor	1	See Note 1
	5033846	Impellor	1	See Notes 2 and 3
	5034760	Impellor	1	See Note 4
H219	5033644	Pulley	1	See Note 5
	5034876	Pulley	1	See Note 6
H220	5033685	Clip—Shaft Locating	1	
H221	19105161	Setscrew	2	See Note 1
H222	19505131	Setscrew } Body and Backplate	1	
	5032889	Washer } to	3	
	19105161	Setscrew } Cylinder Block	1	See Note 6
H223	5032889	Washer }	1	
H224	5033645 (5033849)	Joint } Body to	1	See Note 1
	5033849	Joint } Backplate	1	See Note 2
H225	5033646	Backplate	1	See Note 1
	5033848	Backplate	1	See Notes 2 and 5
	5034877	Backplate	1	See Note 6
H226	5033647	Joint } Backplate to	1	See Note 1
	5033847	Joint } Cylinder Block	1	See Note 2
	19505131	Setscrew	1	See Note 1
	5032889	Washer	1	
	19105161	Setscrew } Body and	1	See Notes 2 and 5
	19105181	Setscrew } Backplate	1	
	19105141	Setscrew } to	2	
	5032889	Washer } Cylinder Block	4	
	5032675	Setscrew	2	See Note 6
	19105161	Setscrew	1	
	5032889	Washer	3	
<p>Note 1. Used prior to Engine No. 7007458. Note 2. Used on and after Engine No. 7007458. Note 3. Used prior to Engine No. 7066156 (Chassis No. 232281, CKD—277555). Note 4. Used on and after Engine No. 7066156 (Chassis No. 232281, CKD—277555). Note 5. Used prior to Engine No. 7077737. Note 6. Used on and after Engine No. 7077737. Special Note A. Complete Water Pump Assemblies 5033639 and 5033844 have been superseded by complete Water Pump Assembly 5034755. Water Pump Body 5033845 is no longer available. Customers must now order and fit complete Water Pump Assembly 5034755. Remaining Parts of Water Pump Assemblies 5033639 and 5033844 are still available.</p>				

ENGINE (Motor) UNIT — DIESEL 4-99 — FUEL OIL INJECTION EQUIPMENT

Plate Ref.	Part Number	DESCRIPTION	No. per Veh.	REMARKS
		ENGINE (Motor) UNIT—continued		
1227	5037851 (5038175)	FUEL INJECTION PUMP ASSEMBLY	1	} See Note 1—See also Special Note A—Page 79 See Note 2 } See Note 3 } Page 79
	5038175	FUEL INJECTION PUMP ASSEMBLY	1	
	5042289	FUEL INJECTION PUMP ASSEMBLY	1	
	5041220	Piston	1	
	5042293	Steeve } Regulating	1	
	5042293	Steeve—Regulating	1	
	5041319	Washer—Regulating Sleeve	1	
	5039046	Filter	1	
	5042265	Valve—Plug—Sleeve—1.5 mm. Distance	A/R	
	5042157	Valve—Plug—Sleeve—1.75 mm. Distance—One Vee Groove	A/R	
	5042158	Valve—Plug—Sleeve—2 mm. Distance—Two Vee Grooves	A/R	
	5041224	Spring—Regulating	1	
	5038961	Connection—Fuel	1	
	9077044	Washer—Fuel Connection	1	
	5042160	Screw—Adjusting	1	
	5042161	Spring—Adjusting Screw	1	
	5042162	Washer—Plug	1	
	5042163	Spring—Torsion	1	
	5041320	Seal—Transfer Pump	1	
	5041321	Seal—Distributor Head	1	
	5042166	Head Vent Screw Assembly	1	
	5042165	Vent Screw	1	
	5041374	Cover—Adjusting	1	
	5038359	Gasket—Cover	1	
	5041375	Screw	2	
	9663123	Spring Washer } Cover	2	
	5042167 (5042557)	Seal—Drive Shaft	2	
	5042294	Gasket—Housing	1	
	5042295	Shaft Throttle	1	
	5042174	Seal—Shaft	1	
	5042296	Arm—Throttle	1	
	5042297	Plate—Vernier—Locking	1	
	5042313	Screw—Locking Plate	1	
	5042314	Washer—Shakeproof	1	
	5042304	Screw—Idling Adjusting	1	
	5042305	Screw—Max. Adjusting	1	
		Sleeve—Locking		Not supplied
	5041331	Nut—Adjusting Screw	2	
	5042307	Idling Stop Assembly	1	
	5042308	Nut—Locking	1	
	5042309	Washer—Sealing	1	
	5038129	Vent Screw	1	
	9077076	Washer—Vent Screw	1	
	5042299	Shaft—Shut-off	1	
	5042300	Seal—Shut-off Shaft	1	
	5042301	Lever—Shut-off	1	
	5042303	Washer—Shakeproof	1	
	5042313	Screw—Shut-off Lever	1	
	5042310	Plate—Stop	1	
	5038986	Gasket—Auto Advance Housing	1	
	5041333	Sealing Ring—Piston Plug	1	
	5041333	Sealing Ring—Piston Cap	1	
	5041235	Nut } Cap	1	
	5041332	Washer } Stud	1	
	9057070	Screw	1	
	5041241	Shim Washer, 0.2 mm.	A/R	
	5041242	Shim Washer, 0.5 mm.	A/R	
	5041243	Shim Washer, 1.0 mm.	A/R	

ENGINE (Motor) UNIT — DIESEL 4-99 — FUEL OIL INJECTION EQUIPMENT

Plate Ref.	Part Number	DESCRIPTION	No. per Veh.	REMARKS
		ENGINE (Motor) UNIT—continued		
	5041244	Shim Washer, 2-0 mm.	A/R	
	5041336	Sealing Ring—Stud	2	
	5041337	Washer—Stud	1	
	5038391	Banjo—Long	3	
	K.28844	Banjo—Short	1	
	9159502	Banjo Bolt	4	
	5041324	Washer	8	
1228	5033286	Joint	1	{ See Cylinder Block— Page 63
1229		Stud	1	
1230	9510050	Nut Fuel Injection Pump	2	
1231	5032889	Spring Washer to	2	
1232	5032886	Washer Cylinder Block	2	
1233	P.49335	Cap Screw	1	
1234	5032889	Spring Washer	1	
1235	5032886	Washer	1	
1236	5033648	GEAR—FUEL INJECTION PUMP DRIVE	1	
1237	19505061	Setscrew	3	
1238	5032889	Spring Washer Gear to Hub	3	
1239	5032886	Washer	3	
1240	5033649	HUB—FUEL INJECTION PUMP DRIVE GEAR	1	
1241	9205017	Circlip—Hub Retaining	1	
1242	9204008	Circlip—Quill Shaft Retaining	1	
1243	5033693	Hub Bearing	1	
1244		Connection—Fuel Oil Injection Pump—Inlet and Outlet Ports		{ See Note 1 Page 79
		Connection—Fuel Oil Injection Pump—Inlet and Outlet Ports		{ See Note 2— Page 79
				Not supplied
1245	5033661	Spring—Stop Control Return	1	
1246	5033662	Fork End—Stop Control Lever	1	
1247	9144052	Clevis Pin—Fork End	1	
1248	5033694	Plate—Stop Control Spring Anchor	1	{ Used prior to Engine No. 7059346
	5034715	Bracket—Stop Control Spring Anchor	1	{ See Note 3—See also Special Note B—Page 79
	5033679	PIPES—FUEL INJECTION ASSEMBLY Nos. 1 to 4	1 set	
1249	5033650	Fuel Injection Pipe—No. 1 Cylinder	1	{ See Note 1—See also Special Note "A"— Page 79
1250	5033651	Fuel Injection Pipe—No. 2 Cylinder	1	
1251	5033652	Fuel Injection Pipe—No. 3 Cylinder	1	
1252	5033653	Fuel Injection Pipe—No. 4 Cylinder	1	
	5033824	PIPES—FUEL INJECTION ASSEMBLY Nos. 1 to 4	1 set	
	5033825	Fuel Injection Pipe—No. 1 Cylinder	1	{ See Note 2—Page 79
	5033826	Fuel Injection Pipe—No. 2 Cylinder	1	
	5033827 (5034341)	Fuel Injection Pipe—No. 3 Cylinder	1	{ Used prior to Engine No. 7040450
	5034341	Fuel Injection Pipe—No. 3 Cylinder	1	{ Used on and after Engine No. 7040450
	5033828	Fuel Injection Pipe—No. 4 Cylinder	1	{ Used prior to Engine No. 7039350
	5034646	Fuel Injection Pipe—No. 4 Cylinder	1	{ Used on and after Engine No. 7039350

ENGINE (Motor) UNIT — DIESEL 4-99 — FUEL OIL INJECTION EQUIPMENT

Plate Ref.	Part Number	DESCRIPTION	No. per Veh.	REMARKS
		ENGINE (Motor) UNIT—continued		
		PIPES—FUEL INJECTION ASSEMBLY Nos. 1 to 4 ...	1 set	
	5034716	Fuel Injection Pipe—No. 1 Cylinder ...	1	See Note 3—See also Special Note "B"—Page 79
	5034717	Fuel Injection Pipe—No. 2 Cylinder ...	1	
	5034718	Fuel Injection Pipe—No. 3 Cylinder ...	1	
	5034719	Fuel Injection Pipe—No. 4 Cylinder ...	1	
1253	5034720	Fuel Injection Pipe—No. 4 Cylinder ...	1	
	9156062	Nut } Fuel Injection ...	8	
1254	5200191	Nipple } Pipe ...	8	
	5033264	Clip } ...	4	See Note 3—See also Special Note "B"—Page 79
	9050141	Bolt } Fuel Injection Pipe Clamping ...	2	
	5033791	Nut } ...	2	
	5033654	ATOMIZER—FUEL INJECTION ASSEMBLY ...	4	See Note 1—See also Special Note "A"—Page 79
	5033834	Atomizer—Fuel Injection Assembly ...	4	Engine No. 7007458 to Engine No. 7039849
	5034522	Atomizer—Fuel Injection Assembly (120 Atmos. Setting—Symbol "H") ...	4	Used on and after Engine No. 7039850
1255	5033655	Nozzle—Fuel Injection ...	4	
1256	5033513	Ring Nut } ...	4	See Note 1—See also Special Note "A"—Page 79
	5033836	Flange } Atomizer Retaining ...	4	
	5034523	Flange } ...	4	Used on and after Engine No. 7039850
1257	5032895	Washer—Atomizer Seating ...	4	
1258	5033656	HOLDER ASSEMBLY—ATOMIZER ...	4	See Note 1 } See Note 2 } Page 79
	5038174	Holder Assembly—Atomizer ...	4	
	5037886	Body ...	4	Not supplied
	5032741	Spindle ...	4	
	5032985	Spring ...	4	
	5037888	Cap—Nozzle Holder Spring ...	4	
	5037887	Nut—Spring Cap ...	4	
	9077073	Nut } Holder ...	4	
	5037889	Washer } Cap ...	4	
	9029006	Adjusting Screw—Nozzle Holder ...	4	
	9146180	Nut ...	4	
	9146181	Dowel—2-92 mm. } Nozzle Holder to Nozzle ...	A/R	
	9146182	Dowel—2-93 mm. } ...	A/R	
	5037890	Dowel—2-94 mm. } ...	A/R	
	9151026	Nut—Nozzle Retaining ...	4	
	9151027	Union } ...	4	
	9077072	Union } Nozzle Holder Connection ...	4	
	9159000	Washer } ...	4	
	9159538	Connection—Nozzle Holder Inlet ...	4	
	K.21947	Bolt } Inlet ...	4	
1259	5033657	Washer } Connection ...	4	
1260	9159529	ATOMIZER LEAK OFF PIPE ASSEMBLY ...	3	
	9077013	Bolt—Atomizer Leak off Pipe Banjo ...	4	
1261	5033507	Washer—Bolt—Atomizer Leak-off Pipe Banjo ...	8	
1262	5033856	Connection } Atomizer ...	3	For No. 4 Atomizer
	5037661	Connection } Leak off ...	1	
J263	5037662	FUEL LIFT PUMP ASSEMBLY ...	AC-Delco	
J264	5220204	Housing ...	1	See Note 4—Page 79
J265	9660121	Screw } Inlet and Outlet ...	5	
		Washer } Valve to Housing ...	5	

ENGINE (Motor) UNIT — DIESEL 4-99 — FUEL OIL INJECTION EQUIPMENT

Plate Ref.	Part Number	DESCRIPTION	No. per Veh.	REMARKS
		ENGINE (Motor) UNIT—continued		
J266	K.19263	Valve } Inlet and	2	} See Note 4
J267	K.19265	Joint } Outlet	1	
J268	K.19264	Plate—Valve Retaining	1	
J269	9050095	Screw—Retaining Plate to Housing	2	
	5043666	COVER AND VALVE ASSEMBLY	1	
	5043667	Cover Assembly	1	} See Note 5
	5043668	Valve Assembly	2	
	K.29656	Valve Seating Gasket	2	
J270	K.19776	DIAPHRAGM	1	} See Note 4 See Note 5
	5043669	Diaphragm	1	
J271	K.26303	Spring—Diaphragm Return	1	
J272	K.26304	Washer—Steel } Spring	1	
J273	K.26305	Washer—Rubber } Seating	1	
J274	K.26301	Body Assembly c/w Priming Lever	1	
	K.26302	Priming Lever Set	1	
J275	K.26308	Diaphragm Operating Lever	1	
J276	5037663	Rocker Arm	1	
J277	5220234	Return Spring	1	
J278	K.9033	Pin	1	
J279	9067212	Washer	2	
J280	5220201	Retainer	2	
J281	P.44187	Joint—Lift Pump to Distance Piece	1	
J282	5033658	Distance Piece—Lift Pump to Tappet Cover	1	
J283	5033659 (7100219)	Joint—Distance Piece to Tappet Cover	1	
J284	9029200	Nut } Lift Pump	2	
	5032889	Washer } Retaining	2	
J285	9156537	Nut } Lift Pump	1	
J286	5033304	Olive } Outlet Peet	1	
J287	5033660	Operating Push Rod—Lift Pump... ..	1	
	5033525	Plug—Fuel Pump—Idling Stop Screw Hole	1	
		Note 1. Used prior to Engine No. 7007458. See also Special Note "A".		
		Note 2. Used on and after Engine No. 7007458 up to Engine No. 7059346.	1 set	
		Note 3. Used on and after Engine No. 7059346. See also Special Note "B".		
		Special Note 'A'. Fuel Injection Pump Assembly 5037851 is no longer available—Demands will be met by the supply of Fuel Injection Pump Assembly 5038175. When fitting 5038175 Fuel Injection Pump as a replacement for Early Type 5037851 it will also be necessary to order and fit the following details listed below:—		
		5033824 Pipes—Fuel Injection Assembly Nos. 1 to 4	1 set	
		5033834 Atomizer—Fuel Injection Assembly ...	4	
		5033836 Flange—Atomizer Retaining	4	
		5033829 Fuel Pipe—Lift Pump to Filter	1	
		Customers must also refer to Notes 6 to 9 and 11—Page 68 for Cylinder Head Conversion Details.		
		Special Note 'B'. Fuel Injection Pump Assemblies are not interchangeable. Early Types will be supplied with relevant Pipe Details for Engines built prior to Engine No. 7059346. Check Type before ordering.		
		Note 4. Early Condition—Valves retained by Retaining Plates and Screws.		
		Note 5. Late Condition—Valves "Staked-in". Fuel Lift Pumps are fully interchangeable as complete assemblies.		

ENGINE (Motor) UNIT — DIESEL 4-99 — FUEL OIL FILTER

Plate Ref.	Part Number	DESCRIPTION	No. per Veh.	REMARKS
	5038159	ENGINE (Motor) UNIT—continued		
		FUEL OIL FILTER ASSEMBLY AC-Delco	1	
K.288	5038161	Cover Assembly	1	
K.289	9803046	Drain Plug	1	
	9077013	Drain Plug Gasket	1	
K.290	9122173	Cover Gasket	1	See Note 1
K.291	9122149	Element Top Seal	1	
K.292	9000105	Cover Bolt	1	
	9077021	Cover Bolt Washer	1	
	5038160	Non-Return Valve	1	
	K.30048	Non-Return Valve Gasket	1	
K.293-296	5037901	Shell Assembly	1	
K.294	5037894	Element Retaining Spring	1	
K.295	9067425	Washer—Element Spring	1	
K.296	5037912	Gasket	1	
K.297	5037896	ELEMENT	1	
K.298	9159016	Connection	3	} Used prior to Engine No. 7059346
K.299	9159531	Bolt	3	
K.300	5032898	Washer	6	
K.301	9156069	Nut	3	
	5033304	Olive } Pipe	3	
	5034712	Connection	3	
	5034713	Bolt	3	} See Note 4
	5032909	Washer	6	
K.302	5033664	Non-Return Valve—Fuel Filter Overflow	1	
K.303	9077019	Washer	1	
K.304	9159013	Connection	1	
K.305	9159530	Bolt	1	} Fuel Filter Overflow Banjo
K.306	9077019	Washer	2	
	5033837	Bolt	2	} Fuel Filter to Support Bracket
	9552053	Nut	2	
	9067416	Washer	2	
	9122213	Washer—Rubber	4	
	5032886	Washer—Plain	2	
		FUEL OIL FILTER SUPPORT BRACKET		See Page 67
K.307	5033665	Fuel Pipe—Atomizer Leak-off to Filter	1	
K.308	5033666	Fuel Pipe—Filter to Pump	1	See Note 3
	5034714	Fuel Pipe—Filter to Pump	1	See Note 4
K.309	5033822	Fuel Pipe—Pump Return to Filter	1	See Note 3
	5034721	Fuel Pipe—Pump Return to Filter	1	See Note 4
	9156537	Nut } Pipe—Filter	2	} See Note 3
	5033304	Olive } to Pump	2	
K.310	5033668	Fuel Pipe	1	See Note 2
	5033829	Fuel Pipe } Lift Pump to Filter	1	See Note 3
	5034710	Fuel Pipe }	1	See Notes 4 and 5
	5034711	Clip—Fuel Pipe to Induction Manifold	1	} See Note 5
	5034770	Fuel Pipe—Lift Pump to Filter	1	
	5034771	Clip—Fuel Pipe to Induction Manifold	1	
	5034833	Fuel Pipe—Lift Pump to Filter	1	
	5034711	Clip—Fuel Pipe to Induction Manifold	1	
	5032003	Clip—Pipe to Rear Lifting Plate Setscrew	1	
	19506051	Setscrew } Fuel Oil Pipe Clip	1	} See Notes 4 & 5
	5032890	Washer } to Cylinder Block	1	
	5034711	Clip—Fuel Pipe to Induction Manifold	1	
		Note 1. Also included with 5037896 Element.		
		Note 2. Used prior to Engine No. 7007458.		
		Note 3. Used on and after Engine No. 7007458, Up to and including Engine No. 7059346.		
		Note 4. Used on and after Engine No. 7059346.		
		Note 5. You are advised that Fuel Pipes Part Nos. 5034770 & 5034710 are no longer available and customers must order and fit Fuel Pipe 5034833 together with Clip Part No. 5034711.		

ENGINE (Motor) AUXILIARIES — DIESEL 4-99

Plate Ref.	Part Number	DESCRIPTION	No. per Veh.	REMARKS
		Note. The following parts are not supplied with the Engine (Motor) Unit.		
	5033670 { (5034870) (5034871)	JOINTS AND GASKETS—COMPLETE ENGINE SET ...	1	{ Used prior to Engine No. 7007316—See Note 9—Page 84
	5033857	Joints and Gaskets—Complete Engine Set ...	1	{ Used on and after Engine No. 7007316
	5033671 (5034870)	Joints and Gaskets—Removal of Head (Top Overhaul) ...	1	
L311	1205343	FLYWHEEL AND STARTER RING (Gear) ASSEMBLY ...	1	See Notes 4 & 6 } Pages 83
	1206880	Flywheel and Starter Ring (Gear) Assembly ...	1	See Notes 5 & 6 } and 84
	1205324	Starter Ring (Gear) ...	1	
L312	19507073	Screw— $\frac{3}{8}$ " UNF. \times $1\frac{1}{2}$ " } Flywheel to ...	5	
L313	1202960	Lockplate ... } Crankshaft ...	1	
	1219068	FAN BLADE ...	1	
	1205484	Fan Pulley Centre ...	1	{ See Note 7—
	19104101	Bolt ...	4	Page 84
	9660161	Washer ...	4	
L316	1203235	Belt } Fan and ...	1	See Note 1 } Page 83
	1206814	Belt } Dynamo ...	1	See Note 2 }
L317-	1203457	AIR SILENCER AND CLEANER ... AC-Delco	1	
L322				
L317	9023007	Wing Nut ...	1	
L318	9078077	Washer ...	1	
L319	K.29858	Element and Elbow ...	1	
L320	K.29859	Element Seating Gasket ...	1	
L321	5037665	Oil Container ...	1	
L322	5037664	Silencer Assembly ...	1	
L323	29705092	Mounting Stud— $\frac{3}{8}$ " UNF. \times $1\frac{1}{2}$ " ...	1	
	9664202	Washer— $\frac{3}{8}$ " shakeproof } Air Cleaner ...	1	
	9510050	Nut— $\frac{3}{8}$ " UNF. ... } to Body ...	1	
L324	1214165	Hose—Air Cleaner to Inlet Manifold ...	1	
L325	9782401	Clip—Hose to Air Cleaner ...	1	
L326	9782401	Clip—Hose to Inlet Manifold ...	1	

ENGINE (Motor) AUXILIARIES — DIESEL 4-99

Plate Ref.	Part Number	DESCRIPTION	No. per Veh.	REMARKS
		ENGINE (Motor) AUXILIARIES—continued		
		DYNAMO (Generator)		See Electrical Equipment
L327	1206870	*Dynamo (Generator) Pulley	1	{ Used prior to Chassis No. 1500/-,008876; CKD 71392
	1207030	Dynamo (Generator) Pulley	1	{ Used on and after Chassis No. 1500/-,008876; CKD 71392
L328	P.107447	*Dynamo (Generator) Ventilator	1	See Note 1 } Page 83
L329	1203231	Dynamo (Generator) Adjusting Link	1	
	1219032	Dynamo (Generator) Adjusting Link	1	See Note 2 } Page 83
L330	9520060	Nut—Adjusting Link	2	
L331	19605061	Screw— $\frac{5}{8}$ " UNC. \times 1"	1	{ Used prior to Chassis No. 1500/-,008876; CKD 71392
	19605081	Screw— $\frac{5}{8}$ " UNC. \times 1" } Dynamo (Generator) to Adjusting Link	1	{ Used on and after Chassis No. 1500/-,008876; CKD 71392
L332	9661201	Washer— $\frac{5}{8}$ " spring	1	{ Used prior to Chassis No. 1500/-,008876; CKD 71392
L333	1203234	Dynamo (Generator) Support Bracket—Rear	1	
	1207051	Dynamo (Generator) Support Bracket—Rear	1	{ Used on and after Chassis No. 1500/-,008876; CKD 71392
L334	19405101	Screw— $\frac{5}{8}$ " UNC. \times 1 $\frac{1}{4}$ " } Bracket	2	{ See Cylinder Head—Page 67
L335	9661201	Washer— $\frac{5}{8}$ " spring ... } to Block	2	
		Dynamo (Generator) Pivot Block		{ See Cylinder Head—Page 67
	9088160	*Dynamo (Generator) Distance Piece	1	{ Used prior to Chassis No. 1500/-,008876; CKD 71392
	9088159 (9088191)	Distance Piece—Adjusting Link to Dynamo (Generator)	1	{ Used on and after Chassis No. 1500/-,008876; CKD 71392
	9088162	Distance Piece—Support Bracket to Dynamo (Generator)	1	
	19505081	Screw— $\frac{5}{8}$ " UNF. \times 1"—Dynamo (Generator) to Support Bracket—Rear	1	{ Used prior to Chassis No. 1500/-,008876; CKD 71392
	19105131	Bolt— $\frac{5}{8}$ " UNF. \times 1 $\frac{1}{4}$ " } Dynamo (Generator) to Support Plate—Front	1	
	19105151	Bolt— $\frac{5}{8}$ " UNF. \times 1 $\frac{1}{4}$ " } to Support Plate—Front	1	{ Used on and after Chassis No. 1500/-,008876; CKD 71392
	9510050	Nut— $\frac{5}{8}$ " UNF. plain } Dynamo (Generator)	2	{ Used in conjunction with C40L Dynamo—Diesel Models only
	9661201	Washer— $\frac{5}{8}$ " spring } Fixing	2	
	1207030	Dynamo (Generator) Pulley	1	{ Used in conjunction with C40L Dynamo—Diesel Models only
	9088191	Dynamo (Generator) Distance Piece	2	
	9088162	Dynamo (Generator) Distance Piece	1	{ Used in conjunction with C40L Dynamo—Diesel Models only
	19105151	Bolt— $\frac{5}{8}$ " UNF. \times 1 $\frac{1}{4}$ "—Dynamo to Support Bracket—Rear	1	
		*Note. The following four details replace part numbers marked * when Lucas type C45 Heavy Duty Dynamo (Generator) is fitted to Special Order.		
	1206810	Dynamo (Generator) Pulley	1	{ Fitted on and after Chassis Nos.—Diesel Models—223672—CKD—USA 274171 onwards
	P.89160	Dynamo (Generator) Ventilator	1	
	9088161	Dynamo (Generator) Distance Piece	1	
	19105151	Bolt— $\frac{5}{8}$ " UNF. \times 1 $\frac{1}{4}$ "—Dynamo (Generator) to Support Bracket—Rear	1	

ENGINE (Motor) AUXILIARIES — DIESEL 4-99

Photo Ref.	Part Number	DESCRIPTION	No. per Veh.	REMARKS
		ENGINE (Motor) AUXILIARIES—continued		
		STARTER		See Electrical Equipment
	19106161	Bolt— $\frac{1}{2}$ " UNF. \times 2"	3	
	9067034	Washer— $\frac{1}{2}$ " plain	3	} Starter and Rear Engine
	9661241	Washer— $\frac{1}{2}$ " spring	3	
	9510060	Nut— $\frac{1}{2}$ " UNF.	3	} Plate to Clutch Housing
L336	1202910	ENGINE (Motor) INLET PIPE	1	
	9088160	Distance Piece—Inlet Pipe	1	} These details replace Part No. 1208300 } Bottom Hose, which is no longer available— } See Radiator
	19105121	Bolt— $\frac{3}{8}$ " UNF. \times $1\frac{1}{2}$ "	1	
	9067023	Washer— $\frac{3}{8}$ " plain	1	
	9664202	Washer— $\frac{3}{8}$ " shakeproof	1	
	9510050	Nut— $\frac{3}{8}$ " UNF.	1	
L337	9166112	Hose—Engine (Motor) to Inlet Pipe	2	
L338	9782241	Hose Clip	4	
		ENGINE (Motor) MOUNTING PLATE—FRONT		} See Engine (Motor) Unit—Page 64
L339	1202634	Front Mounting Rubber	2	
	9510060	Nut— $\frac{1}{2}$ " UNF.	2	} Rubbers to
	9664242	Washer— $\frac{1}{2}$ " locking	2	
	19505061	Bolt— $\frac{3}{8}$ " UNF. \times $1\frac{1}{2}$ "	4	} Mounting Plate
	9067023	Washer— $\frac{3}{8}$ " plain	4	
	9664202	Washer— $\frac{3}{8}$ " shakeproof	4	} Rubbers to Bracket
L340	1202961	ENGINE (Motor) MOUNTING PLATE—REAR	2	
	P.53751 (9146141)	Dowel	1	} Engine (Motor)
	19506081	Screw— $\frac{1}{2}$ " UNF. \times 1"	6	
	9661241	Washer— $\frac{1}{2}$ " spring	6	} Mounting Plate to
L341	1202956	Dust Cover Assembly—Engine (Motor) Mounting Plate	1	
L342	1202959	Seal—Dust Cover	1	} Cylinder Block
	19503041	Screw—No. 10 UNF. \times $\frac{1}{2}$ " hex. hd.	5	
	9661121	Washer— $\frac{3}{8}$ " spring	5	} Dust Cover to Rear Engine (Motor) Mounting Plate
		ENGINE (Motor) REAR MOUNTING BRACKETS		
		Note 1. Used prior to Chassis Nos. listed in Note 2.		} See Gearbox (Transmission) Unit
		Note 2. Used on and after Chassis Nos. 1500(-)/010709-010722-010729-010736-010755-010763-010770-010774-010777-010781-010786-010788-010793-010801-010803-010805-010809-010813-010822-010827-010829-010831-010834-010840-010842-010843-010845-010855-010857-010862-010868-010870-010873-010876-010881-010887-010894-010896-010901-010903-010932-010939-010945-010954-010962-010990-011043-onwards. CKD 71681.		
		Note 3. Customers' vehicles fitted with the intermediate condition of one Hose 1208300 will require Inlet Pipe 1202910 and relevant parts as listed above together with Hose 1202703 — 1 off.		
		Note 4. Used prior to Chassis Nos. listed in Note 5.		
		Note 5. Used in conjunction with the 1500 Series II Petrol Clutch and ancillary parts (See Clutch and Controls Section "F") on and after Chassis Nos. 1500(-)/219533-219745/219747-219750/219752-219772/219774-219787/219789-219790/2-219796/219798-onwards. CKD from 1500(-)/272839.		

ENGINE (Motor) AUXILIARIES — DIESEL 4-99

Plate Ref.	Part Number	DESCRIPTION	No. per Veh.	REMARKS
		ENGINE (Motor) AUXILIARIES—continued		
		Note 6. Replacement Flywheel and Starter Ring (Gear) Assemblies are available in part exchange for the original units.		
		Note 7. 1219068 Fan Blade and Associated Details now replace all previous Fan Assemblies, i.e.:-		
		1201140 Fan Blade	1	
		1203484 Fan Pulley Centre	1	
		19104101 Bolt— $\frac{1}{4}$ " UNF. \times $1\frac{1}{2}$ " } Fan and Centre	4	
		9660161 Washer— $\frac{1}{4}$ " Spring } Pulley	4	
		1214583 Fan Blade	1	
		1214584 Packing	1	
		1203484 Fan Pulley	1	
		19104121 Bolt	4	
		9660161 Washer	4	
		1218376 Fan Blade	1	
		1218377 Distance Piece	1	
		1214584 Packing	1	
		1203484 Fan Pulley	1	
		19104101 Setscrew	4	
		9660161 Washer	4	
		Note 8. We now advise you that Part No. 1208862—Dynamo Adjusting Link is no longer available. Customers must order and fit Part No. 1219032.		
		Note 9. You are advised that 5033670 Joints and Gaskets—Complete Engine Set has been superseded by 5034870 Joints and Gaskets—Top Overhaul AND 5034871 Joints and Gaskets—Bottom Overhaul.		

ACCELERATOR CONTROLS

ACCELERATOR CONTROLS — PETROL ENGINE (1494 c.c. and 1592 c.c.)

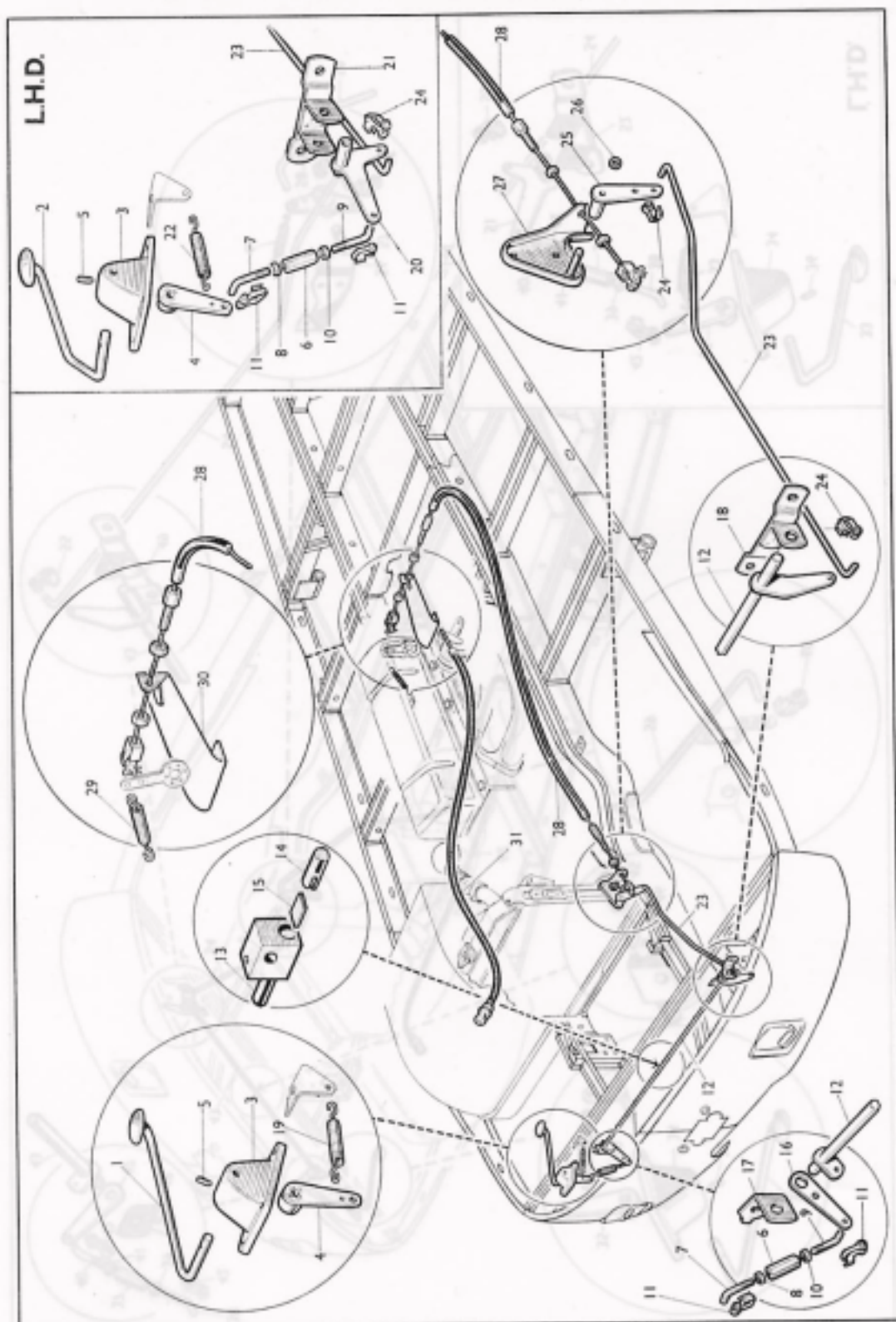


PLATE A

ACCELERATOR CONTROLS — DIESEL ENGINE (4-99)

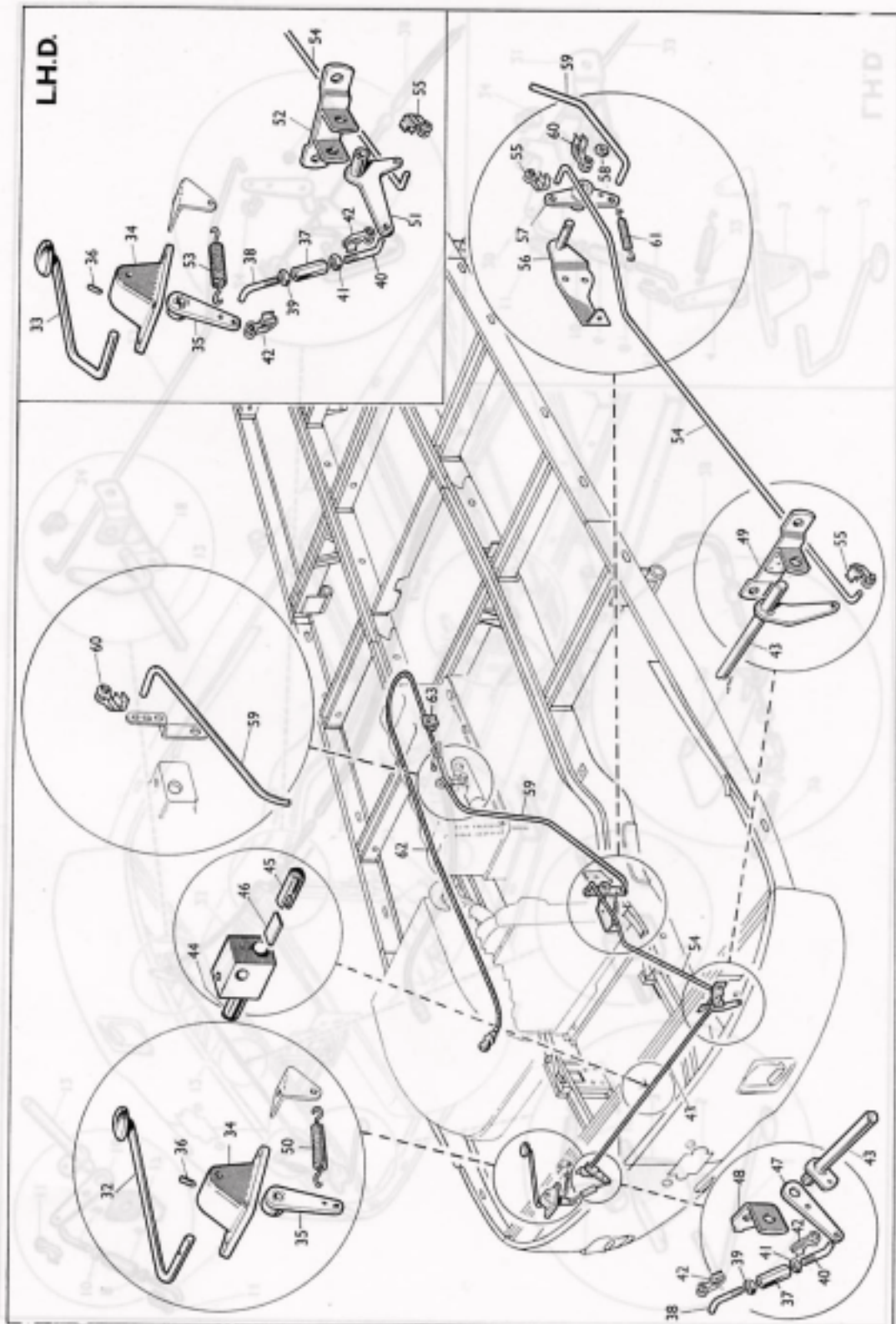


PLATE B

ACCELERATOR CONTROLS — PETROL ENGINES (1494 c.c. and 1592 c.c.)

Plate Ref.	Part Number	DESCRIPTION	No. per Veh.	REMARKS
A1	1203374	ACCELERATOR PEDAL ASSEMBLY—R.H.D.	1	
A2	1208311	Accelerator Pedal Assembly—L.H.D.	1	
A3	1202725	Fulcrum Housing	1	
	19505061	Screw— $\frac{1}{8}$ " UNF. \times $\frac{1}{2}$ "	1	} Early Models only
	9067028	Washer— $\frac{1}{8}$ " plain—Distance Piece	1	
	9664202	Washer— $\frac{1}{8}$ " shakeproof	2	
		Downward Pedal Stop—L.H.D.	1	
A4	1202727	Operating Lever Assembly	1	
A5	9843314	Grooved Pin	1	See Note 2—Page 88
	9810087	Spiral Pin	1	See Note 3—Page 88
	19504051	Screw— $\frac{1}{2}$ " UNF. \times $\frac{1}{2}$ "	2	} Fulcrum Housing to Chassis
	9067016	Washer— $\frac{1}{2}$ " plain	2	
	9664162	Washer— $\frac{1}{2}$ " shakeproof	2	
		TURNBUCKLE—CENTRE	1	
A6	1202760	Turnbuckle End—R.H. Thread	1	
A7	1202754	Nut—R.H. Thread	1	
A8	9520040	Nut—R.H. Thread	1	} Used prior to Chassis No. 1500/-004564
A9	1202752	Turnbuckle End—L.H. Thread	1	
	1205657	Turnbuckle End—L.H. Thread	1	} Used on and after Chassis No. 1500/-004564
A10	9029131	Nut—L.H. Thread	1	
A11	1202763	Linkage Clip	2	} Used prior to Chassis No. 1500/-004564
A12	1202979	CROSS SHAFT ASSEMBLY	1	
	1205659	Cross Shaft Assembly	1	} Used on and after Chassis No. 1500/-004564—See Note 1—Page 88
A13	1214894	Cross Shaft Assembly—O.S. (R.H.)	1	} 1500 Series II—See Note 1 Page 88
A14	1214895	Cross Shaft Assembly—N.S. (L.H.)	1	
A15	1214898	Keeper Plate—Cross Shaft	1	
A16	1203378	Cross Shaft Lever—R.H.	1	
	19504051	Screw— $\frac{1}{2}$ " UNF. \times $\frac{1}{2}$ "	1	
	9510040	Nut— $\frac{1}{2}$ " UNF.	1	
	9664162	Washer— $\frac{1}{2}$ " shakeproof	1	
	9067036	Washer— $\frac{1}{2}$ " plain—Cross Shaft	2	
A17	1202983	SUPPORT BRACKET—CROSS SHAFT—R.H.	1	} R.H.D.
	19505041	Screw— $\frac{1}{2}$ " UNF. \times $\frac{1}{2}$ "	1	
	9664202	Washer— $\frac{1}{2}$ " shakeproof	1	
A18	1202984	Support Bracket Assembly—Cross Shaft—L.H.	1	} R.H. to Chassis
	19505041	Screw— $\frac{1}{2}$ " UNF. \times $\frac{1}{2}$ "	2	
	9664202	Washer— $\frac{1}{2}$ " shakeproof	2	
A19	P.101981	RETURN SPRING—ACCELERATOR PEDAL	1	} L.H.D.
A20	1203379	BELL CRANK LEVER ASSEMBLY	1	
	1205656	Bell Crank Lever Assembly	1	
A21	1202995	Support Bracket Assembly	1	} L.H.D.
	9144017	Jaw Pin	1	
	9067014	Washer— $\frac{1}{2}$ " plain	1	
A22	P.101981	RETURN SPRING—ACCELERATOR PEDAL	1	
A23	1203536	CONTROL ROD—LOWER	1	
A24	1202763	Linkage Clip	2	
A25	1203547	Relay Lever Assembly	1	
A26	9067023	Washer—Relay Lever to Shaft	2	
A27	1203544	Support Bracket Assembly—Upper	1	
	19504041	Screw— $\frac{1}{2}$ " UNF. \times $\frac{1}{2}$ "	2	} Bracket to Radiator...
	9664162	Washer— $\frac{1}{2}$ " shakeproof	2	

ACCELERATOR CONTROLS — PETROL ENGINES (1494 c.c. and 1592 c.c.)

Plate Ref.	Part Number	DESCRIPTION	No. per Veh.	REMARKS
A28	1215446	ACCELERATOR CABLE	1	
A29	P.110093	Spring—Throttle Return	1	
A30	1203534	Cable Abutment Bracket	1	
	19605051	Bolt— $\frac{1}{8}$ " UNC. \times $\frac{1}{2}$ " } Abutment Bracket	2	
	9067023	Washer— $\frac{1}{8}$ " plain } to Induction Pipe	2	
A31		Choke Control Assembly		Not supplied
	5037694	Knob and Wire ... } R.H.D.	1	
	5037695	Body and Tube ... }	1	
	1046975	Clip—Choke Cable to Lifting Eye—R.H.D.	1	
		Choke Control Assembly		Not supplied
	5037696	Knob and Wire ... } L.H.D.	1	
	5037697	Body and Tube ... }	1	
		Note 1. Used prior to the re-introduction of "One-Piece" Cross Shaft 1205659 from Chassis No. 227586—CKD 275791.		
		Note 2. Used prior to introduction Nos. listed in Note 3.		
		Note 3. Used on and after Chassis Nos.:— Assembled—R.H.D. 231098 Assembled—L.H.D. 231624 C.K.D.—R.H.D. 277099 C.K.D.—L.H.D. 277297.		

ACCELERATOR CONTROLS — DIESEL ENGINE (4-99)

Plate Ref.	Part Number	DESCRIPTION	No. per Veh.	REMARKS
B32	1203374	ACCELERATOR PEDAL ASSEMBLY—R.H.D.	1	
B33	1203375	Accelerator Pedal Assembly—L.H.D.	1	
B34	1205987	Fulcrum Housing	1	
	19604061	Screw— $\frac{1}{2}$ " UNC. \times $\frac{1}{2}$ "	1	} Upward Pedal Stop
	9550040	Locknut— $\frac{1}{2}$ " UNC.	1	
	19505061	Screw— $\frac{3}{8}$ " UNF. \times $\frac{1}{2}$ "	1	
	9067028	Washer— $\frac{3}{8}$ " plain	1	
	9664202	Washer— $\frac{3}{8}$ " shakeproof	1	} Downward Pedal Stop—L.H.D.
B35	1202727	Operating Lever Assembly	1	
B36	9843314	Grooved Pin	1	} See Note 2—Page 90
	9810087	Spiral Pin	1	
	19504051	Screw— $\frac{1}{2}$ " UNF. \times $\frac{1}{2}$ "	2	} Fulcrum Housing to Chassis
	9067016	Washer— $\frac{1}{2}$ " plain	2	
	9664162	Washer— $\frac{1}{2}$ " shakeproof	2	
B37	1202760	TURNBUCKLE—CENTRE	1	
B38	1202754	Turnbuckle End—R.H. Thread	1	
B39	9520040	Nut—R.H. Thread	1	} Used prior to Chassis No. 1500/-/001520
B40	1202752	Turnbuckle End—L.H. Thread	1	
	1205657	Turnbuckle End—L.H. Thread	1	} Used on and after Chassis No. 1500/-/001520
B41	9029131	Nut—L.H. Thread	1	
B42	1202763	Linkage Clip	2	} Used prior to Chassis No. 1500/-/001520
B43	1202979	CROSS SHAFT ASSEMBLY	1	
B44	1214894	Cross Shaft Assembly—O.S. (R.H.)	1	} 1500 Series II—See Note 1—Page E4
B45	1214895	Cross Shaft Assembly—N.S. (L.H.)	1	
B46	1214898	Keeper Plate—Cross Shaft	1	
	1205659	Cross Shaft Assembly	1	} Used on and after Chassis No. 1500/-/001520—See also Note 1—Page E4
	1203378	Cross Shaft Lever—R.H.	1	
	19504051	Screw— $\frac{1}{2}$ " UNF. \times $\frac{1}{2}$ "	1	} R.H. Lever to Retaining Plate R.H.D.
	9510040	Nut— $\frac{1}{2}$ " UNF.	1	
	9664162	Washer— $\frac{1}{2}$ " shakeproof	1	
	9067036	Washer— $\frac{1}{2}$ " plain—Cross Shaft	1	
B48	1202983	SUPPORT BRACKET—CROSS SHAFT—R.H.	1	
	19505041	Screw— $\frac{3}{8}$ " UNF. \times $\frac{1}{2}$ "	1	} Support Bracket—R.H. to Chassis
	9664202	Washer— $\frac{3}{8}$ " shakeproof	1	
B49	1202984	Support Bracket Assembly—Cross Shaft—L.H.	1	
	19505041	Screw— $\frac{3}{8}$ " UNF. \times $\frac{1}{2}$ "	2	} Support Bracket—L.H. to Chassis
	9664202	Washer— $\frac{3}{8}$ " shakeproof	2	
B50	P.101981	RETURN SPRING—ACCELERATOR PEDAL	1	
B51	1203379	BELL CRANK LEVER ASSEMBLY	1	} Used prior to Chassis No. 1500/-/001520
	1205656	Bell Crank Lever Assembly	1	
B52	1202995	Support Bracket Assembly	1	} L.H.D.
	9144017	Jaw Pin	1	
	9067054	Washer— $\frac{1}{2}$ " plain	1	
	P.101981	RETURN SPRING—ACCELERATOR PEDAL	1	
B54	1203176	CONTROL ROD—LOWER	1	
B55	1202763	Linkage Clip	2	
B56	1203172	Support Bracket Assembly—Upper	1	
	19504041	Screw— $\frac{1}{2}$ " UNF. \times $\frac{1}{2}$ "	3	} Upper Support Bracket
	9664762	Washer— $\frac{1}{2}$ " shakeproof	3	
B57	1203170	RELAY LEVER ASSEMBLY	1	
B58	9067023	Washer—Relay Lever to Shaft	2	

ACCELERATOR CONTROLS — DIESEL ENGINE (4-99)

Plate Ref.	Part Number	DESCRIPTION	No. per Veh.	REMARKS
B59	1203169	CONTROL ROD—UPPER	1	Used prior to Chassis No. 1500/-001520
	1205654	Control Rod—Upper	1	
	1219054	Control Rod—Upper	1	
				Used on and after Engine No. 7059346—See also Special Note B—Page 77
B60	1202763	Linkage Clip ...	2	Used prior to Chassis No. 1500/-001520
	1202763	Linkage Clip ...		
	9086003	Washer— $\frac{1}{2}$ " spring	1	Used on and after Chassis No. 1500/-001520
	9067015	Washer— $\frac{1}{2}$ " plain	1	
B61	P.110094	SPRING—RELAY LEVER	1	
B62	1203445	ENGINE STOP CONTROL—R.H.D.	1	
	1203446	Engine Stop Control—L.H.D.	1	
B63	1205339	Clip ...	1	
	39306060	Screw— $\frac{1}{2}$ " UNF. \times $\frac{1}{2}$ "	1	Control to Engine
	9660241	Washer— $\frac{1}{2}$ " spring	1	
		<p>Note 1. Used prior to the re-introduction of "One-Piece" Cross Shaft 1205659 from Chassis No. 227586—CKD 275791.</p> <p>Note 2. Used prior to introduction Nos. listed in Note 3.</p> <p>Note 3. Used on and after Chassis Nos. — Assembled — R.H.D. 232060 Assembled — L.H.D. 231637 CKD — R.H.D. 277435 CKD — L.H.D. 277435.</p>		

CLUTCH AND CONTROLS

CLUTCH AND CONTROLS

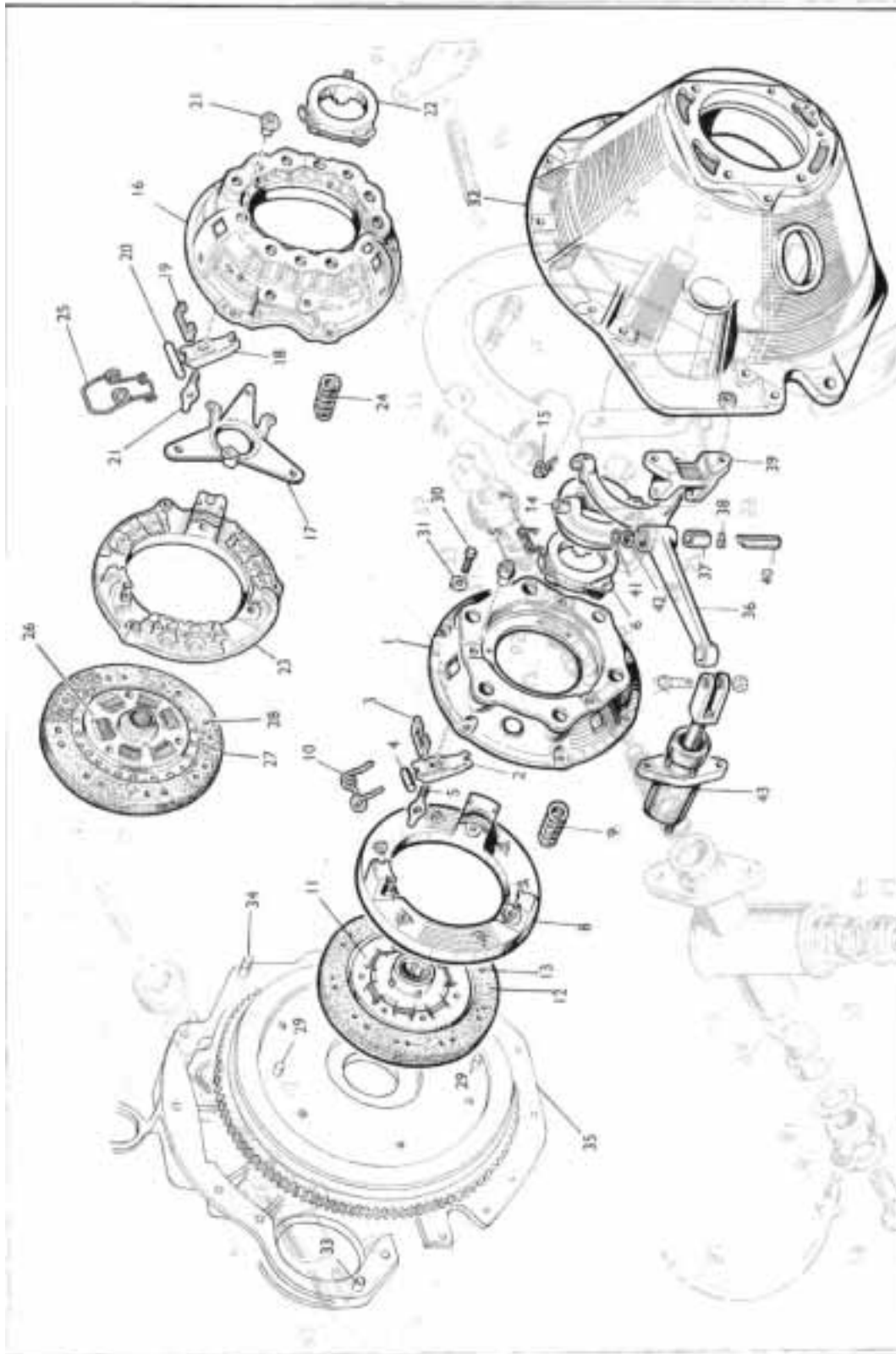


PLATE A

CLUTCH AND CONTROLS

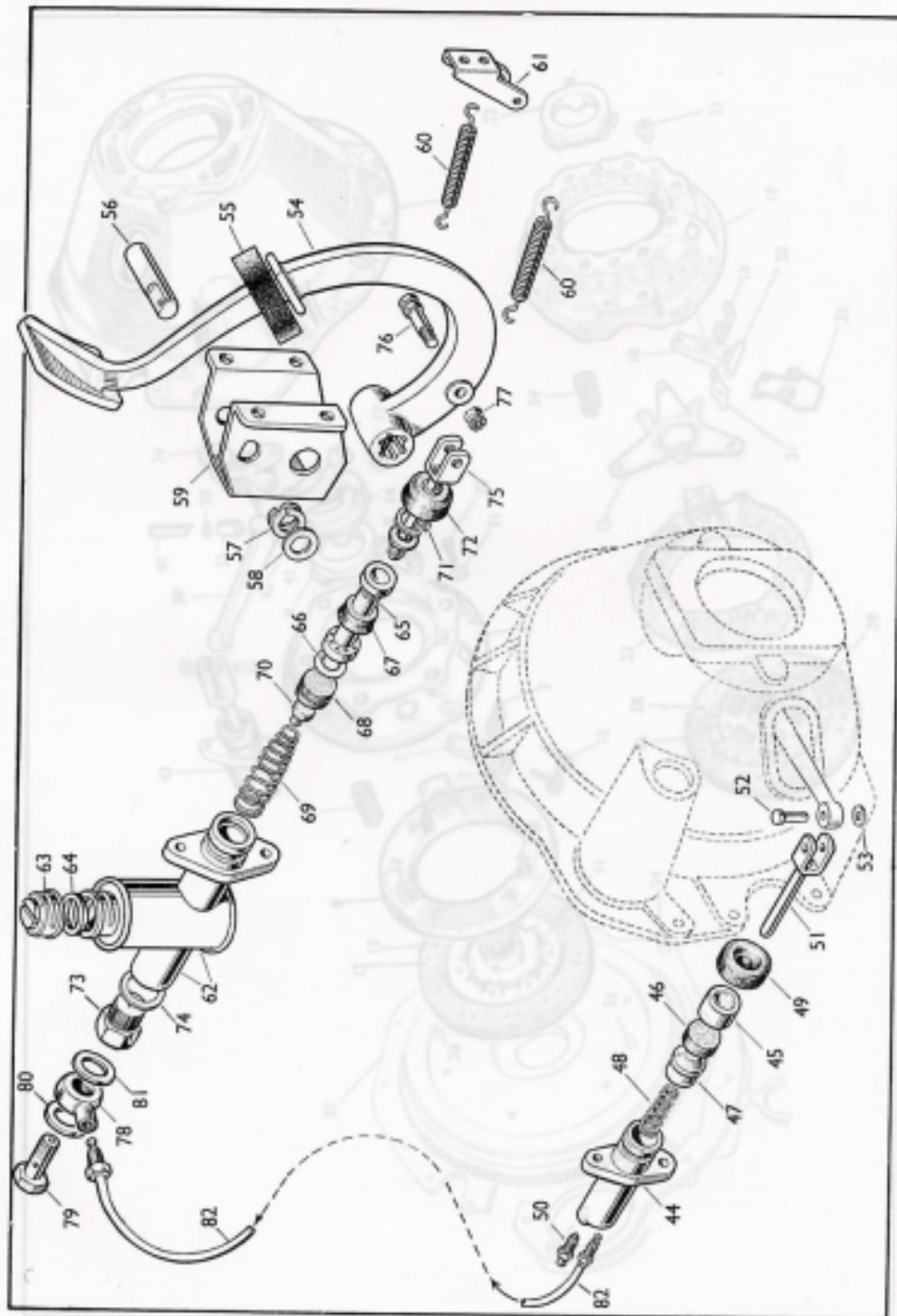


PLATE B

CLUTCH AND CONTROLS

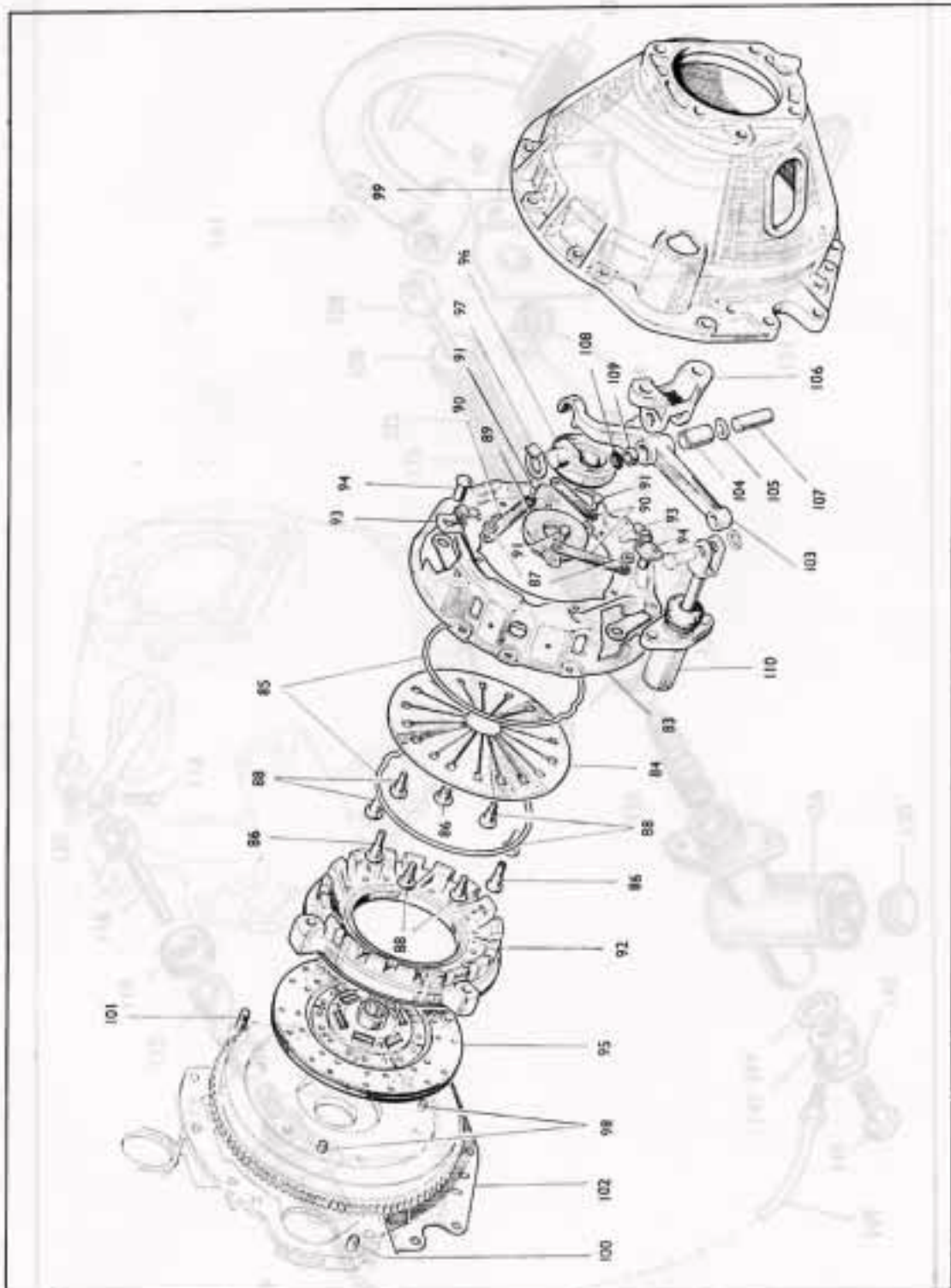


PLATE C

CLUTCH AND CONTROLS

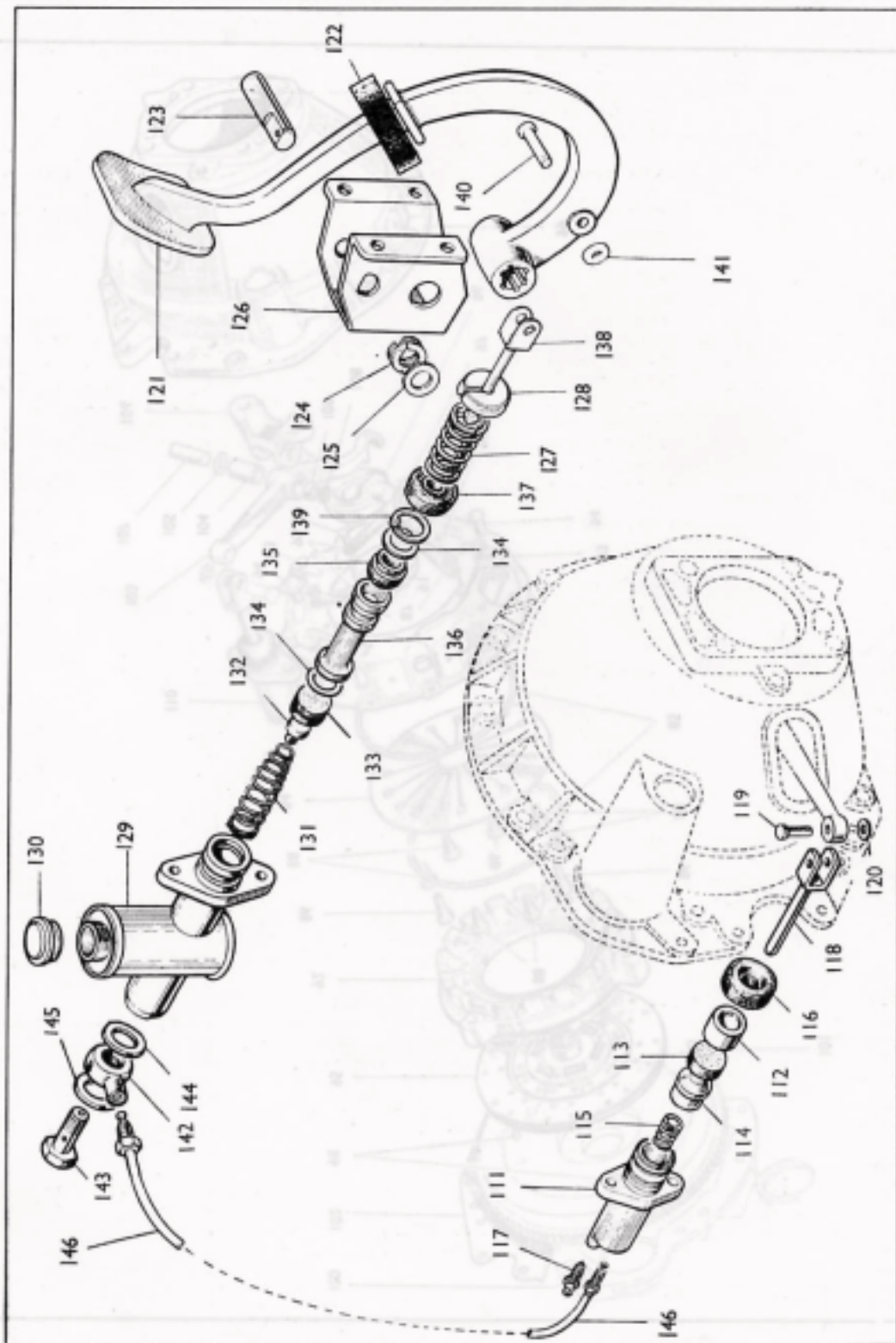


PLATE D

CLUTCH AND CONTROLS

Plate Ref.	Part Number	DESCRIPTION	No. per Veh.	REMARKS
		FOR DETAILS OF DIAPHRAGM SPRING CLUTCH (CHASSIS No. 30000 ONWARDS) SEE PAGES 105-107.		
	K.26443 (1046593)	*COVER ASSEMBLY	1	See Note 8—Page 103 See Note 8—also Special Note A—Page 103
	1046593	*COVER ASSEMBLY	1	
A1	K.20323	Cover	1	
A2	K.22755	Release Lever	3	
A3	K.9058	Strut	3	
A4	K.9056	Pin	3	
A5	K.20326	Eyebolt and Nut	3	
A6	K.24527	Release Lever Plate	1	See Note 1— Page 102
A7	K.3877	Release Lever Plate Retainer	1	
A8	K.20325	Pressure Plate	1	See Special Note A— Page 103
A9	K.21421	Thrust Spring (Cream)	6	
	K.21127	Thrust Spring (Light Grey)	6	
A10	K.21447	Anti-Rattle Spring	3	
A11	1046597	*DRIVEN PLATE ASSEMBLY	1	
A12	K.26445	Facing Package (2 Facings and Rivets)	1	
A13	K.19298	Rivet	22	
A14	K.20720	*RELEASE BEARING AND CUP ASSEMBLY	1	
A15	P.44417	Release Bearing Retainer	2	
	1800016	*COVER ASSEMBLY	1	See Note 2—Page 102
A16	5038379	Cover and Strap Assembly	1	
	5038384	Ferrule	3	
	9003046	Bolt— $\frac{1}{8}$ " UNF. \times $\frac{1}{2}$ " } Strap to Pressure Plate	3	
	9660201	Washer— $\frac{1}{8}$ " spring }	3	
A17	5038381	Spider	1	
	P.49364	Screw—Special ... } Spider to	3	
	9660161	SWasher— $\frac{1}{2}$ " spring } Cover	3	
A18	5038382	Release Lever	3	
A19	K.9058	Strut	3	
A20	K.9056	Pin	3	
A21	K.20326	Eyebolt and Nut } Release Lever	3	
A22	K.24527	Plate	1	
A23	5038380	Pressure Plate	1	
A24	5038377	Thrust Spring (Dark Blue/White)	3	
	5038378	Thrust Spring (Orange)	6	
A25	5038383	Anti-Rattle Spring	3	
A26	1800300	*DRIVING PLATE ASSEMBLY	1	
A27	5039667	Facing Package (2 Facings and Rivets)	1	
A28	K.19298	Rivet	22	
	K.20720	*RELEASE BEARING AND CUP ASSEMBLY	1	
	P.44417	Release Bearing Retainer	2	
		*Note. Replacement Clutch Assemblies, Driven Plates, and Release Bearings are available in part exchange for the original units.		
A29	P.86143	Dowel	2	See Note 3—Page 102
	P.86143	Dowel	3	
A30	19505061	Screw— $\frac{1}{8}$ " UNF. \times $\frac{1}{2}$ " } Clutch to	6	
A31	9660201	Washer— $\frac{1}{8}$ " spring } Flywheel	6	
A32	1208368 (1218214)	CLUTCH HOUSING	1	See Note 6— Page 103
	1208418 (1218214)	Clutch Housing	1	
	19106183	Bolt— $\frac{1}{2}$ " UNF. \times 2 $\frac{1}{2}$ " } Clutch Housing to	1	
	19506101	Screw— $\frac{1}{2}$ " UNF. \times 1 $\frac{1}{2}$ " } Cylinder Block	3	
	9067036	Washer— $\frac{1}{2}$ " plain	5	Petrol Models
	9661241	Washer— $\frac{1}{2}$ " spring	5	
	9510060	Nut— $\frac{1}{2}$ " UNF. ... } Clutch Housing to	2	
A33	P.103709	Dowel	1	
A34	P.103710	Dowel Bolt	1	

CLUTCH AND CONTROLS

Plate Ref.	Part Number	DESCRIPTION	No. per Veh.	REMARKS
	1214255	Cover—Starter Pinion	1	} Special Order } only for } Petrol Models
	1214253	Clip—Starter Pinion Cover	1	
	19106223	Bolt— $\frac{1}{2}$ " UNF. \times 2 $\frac{1}{2}$ "—Starter Motor	2	
	1202966	CLUTCH HOUSING	1	} Diesel } Models
	P.53751	Dowel	2	
	19106121	Bolt— $\frac{1}{2}$ " UNF. \times 1 $\frac{1}{2}$ " } Clutch Housing	7	
	9067034	Washer— $\frac{1}{2}$ " plain } to	7	
	9661241	Washer— $\frac{1}{2}$ " spring } Engine Plate	7	
	9510060	Nut— $\frac{1}{2}$ " UNF.	7	
	19606111	Screw— $\frac{1}{2}$ " UNC. \times 1 $\frac{1}{2}$ " } Clutch Housing to Gearbox	3	
	19606151	Screw— $\frac{1}{2}$ " UNC. \times 1 $\frac{1}{2}$ " } Casing—See also Clutch	1	
	9664242	Washer— $\frac{1}{2}$ " shakeproof } Withdrawal Lever Bracket	3	
A35	P.106938	Clutch Cover Plate	1	
	19604041	Bolt— $\frac{1}{2}$ " UNC. \times $\frac{1}{2}$ " } Clutch Housing	5	
	9067015	Washer— $\frac{1}{2}$ " plain } to Cover Plate	5	
	1207095 (1228163)	Clutch Cover Plate	1	} Petrol Models—Used } on and after } Engine No. C5501
	19605051	Bolt— $\frac{1}{2}$ " UNC. \times $\frac{1}{2}$ " } Clutch Housing	5	
	9067023	Washer— $\frac{1}{2}$ " plain } to Cover Plate	5	
	1207096	Stiffener	1	
	1207097	Stiffener	1	
	19105081	Bolt— $\frac{1}{2}$ " UNF. \times 1" }	4	} See Note 6— } Page 103
	19605041	Screw— $\frac{1}{2}$ " UNF. \times $\frac{1}{2}$ " } Clutch Housing... ..	1	
	9067023	Washer— $\frac{1}{2}$ " plain } to Cover Plate	5	
	9510050	Nut— $\frac{1}{2}$ " UNF.	4	
	1219015	Gaiter—Clutch Housing—R.H.D. Petrol Models	1	} Special Order } Only
	1219019	Gaiter—Clutch Housing—L.H.D. Diesel Models	1	
	1219015	Gaiter—Clutch Housing—Petrol Models	1	} L.H.D.—Special Order— } U.S.A.—Austria— } Scandinavia only } See Page 83
	1219019	Gaiter—Clutch Housing—Diesel Models	1	
	1219017	Shield—Cover Plate—R.H.	1	
	1219018	Shield—Cover Plate—L.H.	1	
	1214266 (1218678)	CLUTCH WITHDRAWAL LEVER	1	
	P.89659	Bush	1	} Petrol Models
A36	1214261 (1202741)	Clutch Withdrawal Lever	1	
A37	P.89659	Bush	1	} Diesel Models
A38	9075033	Thrust Washer } Withdrawal	1	
A39	P.108551	Bracket ... } Lever	1	} See Note 1— } Page 102
	9075033	Thrust Washer } Withdrawal	1	
	1207442	Bracket } Lever	1	} See Note 2— } Page 102
	19606151	Screw— $\frac{1}{2}$ " UNC. \times 1 $\frac{1}{2}$ " }	1	
	19606101	Screw— $\frac{1}{2}$ " UNC. \times 1 $\frac{1}{2}$ " } Withdrawal Lever Bracket	1	
	9664242	Washer— $\frac{1}{2}$ " shakeproof } and Clutch Housing	1	
	9067036	Washer— $\frac{1}{2}$ " plain }	1	
A40	P.53238	Fulcrum Pin—Withdrawal Lever	1	} See Note 7—Page 103 } Not supplied
A41	9067046	Washer— $\frac{1}{2}$ " plain } Fulcrum Pin	1	
A42	9120039	Washer—Felt } to Bracket	1	
A43	1203562	SLAVE CYLINDER	1	
B44		Body	1	
B45	K.25922	Piston	1	
B46	K.25923	*Cup	1	
B47	5037786	Cup Spreader	1	
B48	5037785	Spring	1	

CLUTCH AND CONTROLS

Plate Ref.	Part Number	DESCRIPTION	No. per Veh.	REMARKS
		SLAVE CYLINDER--continued		
B49	K.25925	*Boot ...	1	
B50	K.23631	Bleeder Screw ...	1	
	P.48678	SLAVE CYLINDER REPAIR KIT ...	1	Includes Items Marked *
B51	1203637	Push Rod ...	1	Petrol Models 1500 Series I
	1206903	Push Rod ...	1	Petrol Models 1500 Series II
	1203636	Push Rod ...	1	See Note 1 } Page 102
	1215590	Push Rod ...	1	See Note 2 }
	19105121	Bolt— $\frac{1}{8}$ " UNF. \times 1 $\frac{1}{4}$ " } Slave Cylinder ...	2	} Petrol Models
	9664202	Washer— $\frac{1}{8}$ " shakeproof } to ...	2	
	9510050	Nut— $\frac{1}{8}$ " UNF. } Clutch Housing ...	2	
	19105141	Bolt— $\frac{1}{8}$ " UNF. \times 1 $\frac{1}{4}$ " } ...	2	} Diesel Models
	9664202	Washer— $\frac{1}{8}$ " shakeproof } Slave Cylinder to Engine ...	2	
	9510050	Nut— $\frac{1}{8}$ " UNF. } ...	2	
B52	9144022	Jaw Pin ... } Withdrawal Lever to ...	1	
B53	9067022	Washer— $\frac{1}{8}$ " plain } Slave Cylinder Push Rod ...	1	
B54	1210263	CLUTCH PEDAL—R.H.D. ...	1	} See Note 4— Page 102
	1210262	Clutch Pedal—L.H.D. ...	1	
	1216630	Clutch Pedal—R.H.D. ...	1	} See Note 5— Page 103
	1216628	Clutch Pedal—L.H.D. ...	1	
B55	1205471	Sealing Pad—Pedal ...	1	
B56	1202494	Pedal Shaft ...	1	
	9217027	Greaser—Pedal Shaft ...	1	
B57	9086015	Washer— $\frac{1}{4}$ " spring } Shaft to ...	1	
B58	9067075	Washer— $\frac{1}{4}$ " plain } Bracket ...	1	
B59	1202493	Pedal Bracket ...	1	} See Note 4—Page 102 } See Special Note B } Pages } Note 5 & Note 9 } 102,103
	1216648 (1219050)	Bracket—Pedal Fulcrum ...	1	
	1216664	Stiffener—Bracket ...	1	
	1219050	Bracket—Pedal Fulcrum ...	1	} See Note 9— Page 103
	1216664	Stiffener—Bracket ...	2	
	19505061	Screw— $\frac{1}{8}$ " UNF. ...	4	
	9660201	Washer— $\frac{1}{8}$ " spring } Bracket to ...	4	
	9510050	Nut— $\frac{1}{8}$ " UNF. } Crossmember ...	2	
	9029204	Nut— $\frac{1}{8}$ " UNF. ...	2	
B60	1202495	Return Spring ...	2	} Used Prior to— } See Note 9— Page 103
B61	1202492	Anchor Bracket—Return Spring ...	1	
	19504041	Screw— $\frac{1}{4}$ " UNF. \times $\frac{1}{4}$ " } Anchor Bracket to Crossmember ...	2	
	9660161	Washer— $\frac{1}{4}$ " spring } ...	2	
	9067015	Washer— $\frac{1}{4}$ " plain } ...	2	
	1219052	Return Spring ...	1	} See Note 9— Page 103
	1219051	Cap—Return Spring ...	1	
	P.115153	MASTER CYLINDER—CLUTCH ...	1	See Note 7—Page 103
B62		Cylinder and Tank ...	1	Not supplied
B63	K.25514	Filler Cap ...	1	
B64	9079097	*Filler Cap Washer ...	1	
B65	5037533	Piston ...	1	
B66	K.25518	*Piston Washer ...	1	
B67	K.26242	*Main Cup ...	1	
B68	K.25520	*Secondary Cup ...	1	
B69	K.29804	Return Spring ...	1	
B70	5030173	Return Spring Retainer ...	1	
B71	K.29578	*Circlip—Stop ...	1	
B72	K.25524	*Boot ...	1	
B73	K.29496	End Plug ...	1	
B74	K.25525	*End Plug Gasket ...	1	
B75	K.29579	Push Rod ...	1	

CLUTCH AND CONTROLS

Plate Ref.	Part Number	DESCRIPTION	No. per Veh.	REMARKS
	P.48837 (5038191)	MASTER CYLINDER REPAIR KIT	1	Includes Items Marked *
B76	1202522	Jaw Pin } Master Cylinder	1	
B77	1202521	Nut } to Pedal	1	
	9144022	Clevis Pin } Master Cylinder	1	Used on and after Chassis No. 233414—CKD 277801
	9067022	Washer ... } to Pedal	1	
	19505071	Screw— $\frac{1}{8}$ " UNF. \times $\frac{1}{2}$ "	2	} Master Cylinder to Bracket
	9660201	Washer— $\frac{1}{8}$ " spring	2	
	9510050	Nut— $\frac{1}{8}$ " UNF.	2	
		Protection Plate—Master Cylinders		
B78	9159231	Banjo Connection	1	} Diesel Models
B79	9159532	Banjo Bolt	1	
B80	9077068	Gasket—Large	1	} Diesel Models
B81	9077025	Gasket—Small	1	
B82	9163237	PIPE (Line)—R.H.D.	1	} Petrol Models
	9163238	Pipe (Line)—L.H.D.	1	
	9163241	Pipe (Line)—R.H.D.	1	} Diesel Models
	9163240	Pipe (Line)—L.H.D.	1	
	9163304	Pipe (Line)—L.H.D.—Master Cylinder to Clutch Slave Cylinder	1	} Diesel Models—L.H.D.
	9163301	Pipe (Line)—L.H.D.—Master Cylinder to Clutch Slave Cylinder	1	
	9151504	Adaptor	2	} Special Order
	9077017	Washer—Slave Cylinder	1	
	5200303	Washer—Master Cylinder	1	} U.S.A. and Austria Scandinavia only
	P.54741	Clip—Clutch Pipe to Frame	2	
	P.75920	Clip—Clutch Pipe to Sidemember	2	} Petrol Models
	P.54741	Clip—Clutch Pipe to Sidemember	2	
	K.18999	Clip—Clutch Pipe to Sidemember	2	} Diesel Models—R.H.D.
	9744089	Tapping Screw—No. 10 \times $\frac{1}{4}$ "	4	
	9744089	Tapping Screw—No. 10 \times $\frac{1}{4}$ "	5	} Diesel Models—L.H.D.
	P.75920	Clip	1	
	19503042	Screw—No. 10 UNF. \times $\frac{1}{2}$ "	1	} Petrol Models
	9660121	Washer— $\frac{1}{8}$ " spring	1	
	9510051	Nut—No. 10 UNF.	1	} Diesel Models
	P.54741	Clip	2	
	19503042	Screw—No. 10 UNF. \times $\frac{1}{2}$ "	2	} Diesel Models
	9660121	Washer— $\frac{1}{8}$ " spring	2	
	9510051	Nut—No. 10 UNF.	2	
		Note 1. Used on all 1500 Series I Models and 1500 Series II Diesel up to Chassis Numbers listed in Note 2.		
		Note 2. Used on all 1500 Series II Petrol Models and 1500 Series II Diesel Models on and after Chassis Nos. 1500/-/219533-219745/219747-219750/219752-219772/219774-219787/219789-219790/219792-219796/219798 onwards. CKD Chassis No. 1500/D/272839. All 2500 Series.		
		Note 3. Used on and after 1500 Series II Diesel Chassis Nos. Listed in Note 2 and all 2500 Series Diesel.		
		Note 4. Used on 1500 Series I—All Models—and 1500 Series II—All Models—prior to introduction of 1500 Series IIA and 2500 Series—See also Note in Preliminary Section.		

CLUTCH AND CONTROLS

Plate Ref.	Part Number	DESCRIPTION	No. per Veh.	REMARKS
		<p>Note 5. Used on and after introduction of 1500 Series IIA and 2500 Series — See also Note in Preliminary Section.</p> <p>Note 6. Clutch Housings 1208368 and 1208418 are no longer available and are replaced by Clutch Housing 1218214. When ordering Clutch Housing 1218214 it will be necessary to order and fit the following:—</p> <p>19105081 Bolt—$\frac{1}{8}$" UNF. \times 1" 4</p> <p>19695041 Screw—$\frac{1}{8}$" UNF. \times $\frac{1}{2}$" 1</p> <p>9067023 Washer—$\frac{1}{8}$" plain 5</p> <p>9510050 Nut—$\frac{1}{8}$" UNF. 4</p> <p>Note 7. Replacement Slave and Master Cylinders are available in part exchange for the original units.</p> <p>Note 8. Clutch Cover Assembly K.26443 is no longer available. Customers must now order and fit Clutch Cover Assembly 1046593.</p> <p>Special Note A. Clutch Cover Assemblies are interchangeable as complete assemblies. Detailed components are identical with the exception of Thrust Spring; Early type Thrust Spring, K.21421—(Olive Colour) will still be supplied for replacement purposes:— Late type Thrust Spring K.21127 (Light Grey) must be used in sets of 6, when replacing early type.</p> <p>Note 9. Used on and after Chassis Nos.:— VT 228886. CKD—276438.</p> <p>Special Note B. Bracket—Pedal Fulcrum Part No. 1216648 is no longer available. Customers must now order and fit the latest condition, i.e.:—</p> <p>1219050 Bracket—Pedal Fulcrum 1</p> <p>1216664 Stiffener—Bracket 1</p> <p>1219052 Return Spring 1</p> <p>1219051 Cap—Return Spring 1</p>		

CLUTCH AND CONTROLS

Plate Ref.	Part Number	DESCRIPTION	No. per Veh.	REMARKS	
		NOTE. THIS SECTION IS APPLICABLE TO CHASSIS SERIES 30000 ONWARDS—SEE PAGES 99-103. FOR EARLIER CONDITION			
C83	1800752	*COVER ASSEMBLY	1	Not supplied	
C84	5042956	Cover c/w Straps	1		
C85	5042955	Diaphragm Spring	1		
C86	5042929	Fulcrum Ring	2		
C87	5043467	Locating Pin—Diaphragm Spring to Release Plate Strap	3		
C88	5042954	Washer—Locating Pin	3		
C89	5042957	Shouldered Rivet—Diaphragm Spring to Cover	6		
C90	5042958 (5044570)	Release Plate	1		
C91	5042997	Strap—Release Plate to Cover	3		
C92	5042997	Rivet—Release Plate to Strap	3		
C93	5042959	Pressure Plate	1		
C94	5042960	Clip—Pressure Plate	3		
C95	5042961	Rivet—Clip to Pressure Plate	3		
C95	1800751	*DRIVEN PLATE ASSEMBLY	1		
	5039667	Facing Package (2 Facings and Rivets)	1		
	K.19298	Rivet	10		
C96	1800600	*RELEASE BEARING AND CUP ASSEMBLY	1		
C97	1800542	Release Bearing Retainer	2		
		*Note. Replacement Clutch Cover Assemblies, Driven Plates, and Release Bearings are available in Part Exchange for Original Units.			
C98	P.86143	Dowel	3	Petrol Models, Special Order only, Associated British Foods	
	19505061	Screw } Clutch to Flywheel	6		
	9661202	Washer	6		
	1228110	CLUTCH HOUSING	1		
C99	1208418 (1218214)	CLUTCH HOUSING	1	Petrol Models	
	19106183	Bolt— $\frac{1}{2}$ " UNF. \times 2 $\frac{1}{2}$ "	1		
	19506101	Screw— $\frac{1}{2}$ " UNF. \times 1 $\frac{1}{2}$ "	3		
	9067036	Washer— $\frac{1}{2}$ " plain	5		
	9661241	Washer— $\frac{1}{2}$ " Spring	5		
	5220703	Nut— $\frac{1}{2}$ " UNF.	2		
C100	9146156	Dowel	1		
C101	P.103710	Dowel Bolt	1		
	1202966	CLUTCH HOUSING	2		Diesel Models
	9146141	Dowel	2		
	19106121	Bolt— $\frac{1}{2}$ " UNF. \times 1 $\frac{1}{2}$ "	2		
	9067034	Washer— $\frac{1}{2}$ " plain	7		
	9661241	Washer— $\frac{1}{2}$ " spring	7		
	5220703	Nut— $\frac{1}{2}$ " UNF.	7		
	1228109	Starter Cover	1	See Note 1—Page 107 Used with Eclipse Drive Starter Motor only Petrol Models Diesel Models	
	19609031	Bolt— $\frac{3}{8}$ " UNC. \times $\frac{1}{2}$ "	3		
	9067009	Washer— $\frac{1}{2}$ " plain	3		
	29900426	Stud— $\frac{1}{2}$ " UNF./UNC. \times 1 $\frac{1}{2}$ "	1		
	29900425	Stud— $\frac{1}{2}$ " UNF./UNC. \times 2 $\frac{1}{2}$ "	1		
	59622601	Screw— $\frac{1}{2}$ " UNC. \times 1 $\frac{1}{2}$ "	3		
	9067036	Washer— $\frac{1}{2}$ " plain	4		
	9661242	Washer— $\frac{1}{2}$ " spring	1		
	5220703	Nut— $\frac{1}{2}$ " UNF.	1		
C102	1207095 (1228163)	Cover—Clutch Housing	1		
	19505081	Bolt— $\frac{3}{8}$ " UNF. \times 1"	4		
	19605041	Screw— $\frac{3}{8}$ " UNC. \times $\frac{1}{2}$ "	1		
	9067023	Washer— $\frac{3}{8}$ " plain	4		
	5220701	Nut— $\frac{3}{8}$ " UNF.	4		

CLUTCH AND CONTROLS

Plate Ref.	Part Number	DESCRIPTION	No. per Veh.	REMARKS	
	1219015	Gaiter—Clutch Housing—R.H.D.—Petrol Models	1	} Special Order only	
	1219019	Gaiter—Clutch Housing—L.H.D.—Diesel Models	1		
	1219015	Gaiter—Clutch Housing—Petrol Models	1	} Special Order only and for U.S.A. Austria and Scandinavia only See Page 83	
	1219019	Gaiter—Clutch Housing—Diesel Models	1		
	1219017	Shield—Cover Plate	1		
	1219018	Shield—Cover Plate Note: For Dair Cover—Diesel Engine	1		
C103	1218678	CLUTCH WITHDRAWAL LEVER	1		
C104	P.89659	Bush	1		
C105	9075033	Thrust Washer } Withdrawal	1		
C106	1206605	Bracket } Lever	1		
	59623401	Screw—1" UNC. x 2 1/2"	2	} Petrol Models } Diesel Models	
	59622601	Screw—1" UNC. x 1 1/2"	1		
	19606101	Screw—1" UNC. x 1 1/2" } Withdrawal Lever Bracket and Clutch Housing to	1		
	9664242	Washer—1" shakeproof } Gearbox Casing	1		
	9067036	Washer—1" plain	2		
C107	P.53238	Fulcrum Pin—Withdrawal Lever	1		
C108	9067046	Washer—Plain } Fulcrum Pin	1		
C109	9120039	Washer—Felt } to Bracket	1		
C110	1223552	SLAVE CYLINDER—CLUTCH	1		
D111		Body	1	Not supplied	
D112	K.25922	Piston	1		
D113	K.25923	*Cup	1		
D114	5037786	Cup Spreader	1		
D115	5037785	Spring	1		
D116	K.25925	*Bowl	1		
D117	P.42903	Blender Screw	1		
	5038192	REPAIR KIT—SLAVE CYLINDER	1		
D118	1205637	PUSH ROD	1		} Petrol Models } Diesel Models
	1219076	Push Rod	1		
	19105131	Bolt—3/8" UNF. x 1 1/2"	2		} Petrol Models } Diesel Models
	19105141	Bolt—3/8" UNF. x 1 1/2"	2		
	9664202	Washer—3/8" spring } Slave Cylinder to Clutch Housing (Petrol) and Slave Cylinder to Engine (Diesel)	2		
	5220701	Nut—3/8" UNF.	2		
D119	9144022	Jaw Pin } Slave Cylinder	1		
D120	9067022	Washer } to Push Rod	1		
D121	1216630	CLUTCH PEDAL—R.H.D.	1		
	1216628	Clutch Pedal—L.H.D.	1		
D122	1205471	Sealing Pad—Pedal	1		
D123	1202494	Pedal Shaft	1		
	9217027	Greaser—Pedal Shaft	1		
D124	9086015	Washer	1		
D125	9067075	Washer	1		
D126	1202493	Pedal Bracket	1		
	1219050	Bracket—Pedal Fulcrum	1		
	1216664	Stiffener—Bracket	2		
	19508061	Screw	4		
	9660201	Washer } Bracket to	4		
	9510050	Nut } Crossmember	2		
	9029204	Nut	2		
D127	1219052	Return Spring	1		
D128	1219081	Cap—Return Spring	1		

CLUTCH AND CONTROLS

Plate Ref.	Part Number	DESCRIPTION	No. per Veh.	REMARKS
D129	1219092	MASTER CYLINDER (.70" Bore)—CLUTCH	1	Not supplied
D130	5042059	Barrel and Tank Assembly	1	
D131	5039215	Filler Cap	1	
D132	5030173	Spring	1	
D133	5039214	Spring Retainer	1	
D134	5039213	*Primary Cup	1	
D135	5039211	*Piston Washer	1	
D136	5040409	*Secondary Cup	1	
D137	K.21524	Piston	1	
D138	K.29578	*Boot	1	
D139	K.29579	Push Rod	1	
		*Circlip	1	
	5040359	REPAIR KIT—MASTER CYLINDER	1	
D140	9144022	Clevis Pin } Master Cylinder	1	Petrol Models—R.H.D. Petrol Models—L.H.D. Diesel Models—R.H.D. Diesel Models—L.H.D. Special Order only for Austria, U.S.A. and Scandinavia
D141	9067101	Plain Washer } to Pedal	1	
	19505071	Setcrew	2	
	9660201	Spring Washer } Master Cylinder to Bracket	2	
	9510051	Nut	2	
D142	9159226	Banjo Connection	1	
D143	9159532	Banjo Bolt	1	
D144	9077017	Gasket	1	
D145	9077025	Gasket	1	
D146	9163365	Pipe—Clutch Master Cylinder to Slave Cylinder	1	
	9163301	Pipe—Clutch Master Cylinder to Slave Cylinder	1	
	9163005	Pipe—Clutch Master Cylinder to Slave Cylinder	1	
	9163304	Pipe—Clutch Master Cylinder to Slave Cylinder	1	
	9151504	Adapter	2	
	9077017	Washer—Slave Cylinder	1	
	9077068	Washer—Master Cylinder	1	
	P.54741	Clip—Clutch Pipe to Frame	2	
	P.75920	Clip	2	
	P.54741	Clip } Clutch Pipe to Side Member	2	
	K.18999	Clip	2	
	9744089	Tapping Screw	4	
	9744089	Tapping Screw	5	
	9179007	Clip	1	
	9747089	Screw	1	
	9067023	Washer	1	
	P.75920	Clip	1	
	P.54741	Clip	1	
	19503042	Screw } Clutch Pipe Clip to Valance	1	
	9660121	Washer	1	
	9510031	Nut	1	

Note 1. Special Order only for Associated British Foods.

GEARBOX (Transmission) UNIT

GEARBOX (Transmission) UNIT



PLATE A

GEARBOX (Transmission) UNIT

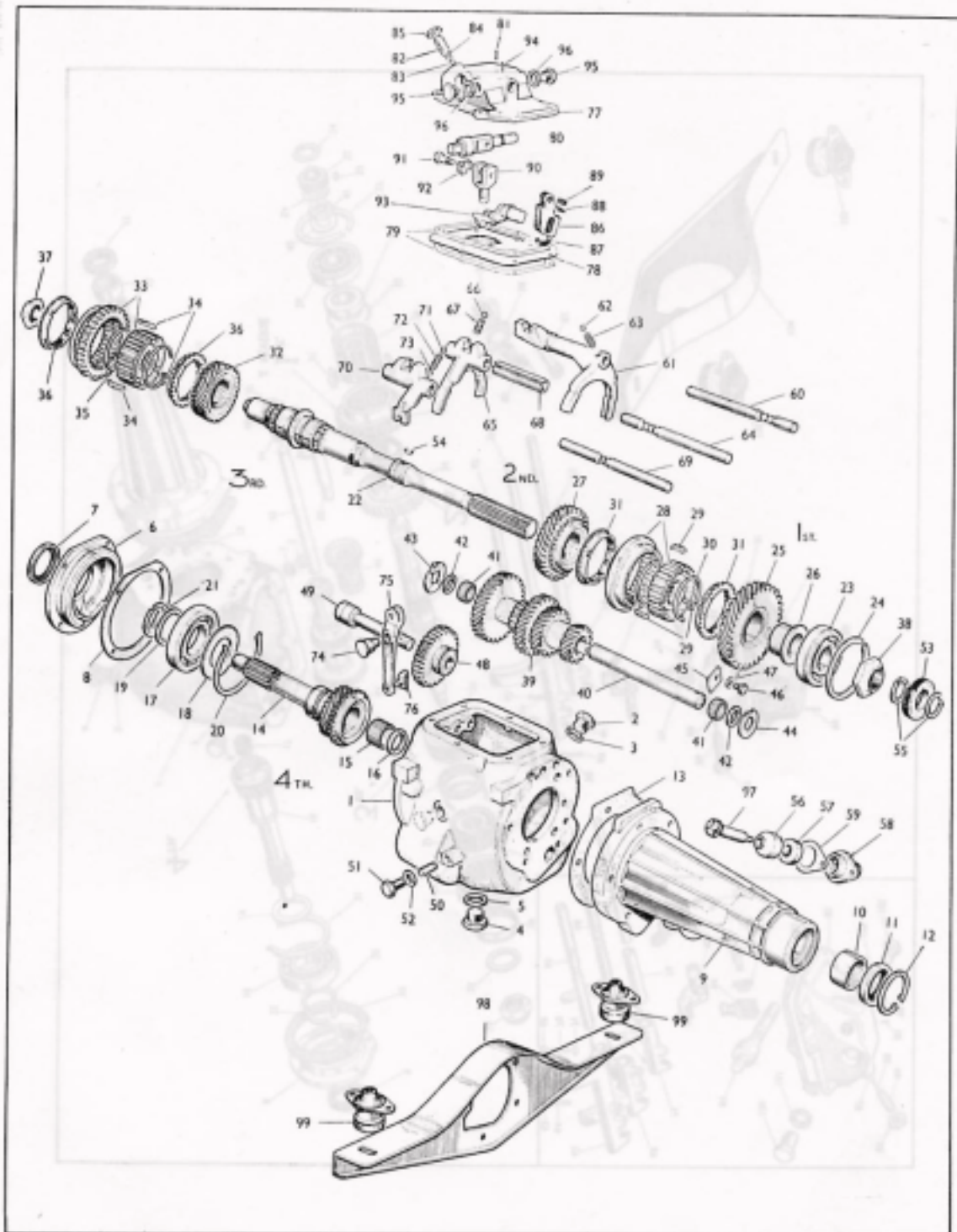


PLATE B

GEARBOX (Transmission) UNIT

Plate Ref.	Part Number	DESCRIPTION	No. per Veh.	REMARKS
		FOR DETAILS OF ALL SYNCHROMESH GEARBOX (CHASSIS No. 30000 ONWARDS) SEE PAGES 119-121.		
	5200298 (5200462)	GEARBOX (Transmission) UNIT	1	
	5200340 (5200462)	Gearbox (Transmission) Unit	1	
	5200462	Gearbox (Transmission) Unit	1	See Notes 3 and 7 } Pages 116 and 117
	5200465	Gearbox (Transmission) Unit	1	
	1207165 (1216610)	Casing	1	See Note 1 } See Note 2 } See Note 4 }
	1207164 (1216611)	Casing	1	
A1	1216611	Casing	1	} See Note 2—Page 116
A2	9801943	Plug ... } Gearbox	1	
A3	9077616	Washer } Filler	1	} See Note 1—Page 116
A4	9801943	Plug } Gearbox	1	
A5	9077616	Washer } Drain	1	} See Note 1—Page 116
A6	9801642	Plug ... } Gearbox	1	
A7	9078033	Washer } Blanking	1	} See Note 1—Page 116
	P.108160	Dipstick	1	
A8	P.102536	FRONT COVER	1	} See Note 1—Page 116
A9	9102093	Oil Seal—Front Cover	1	
A10	P.88568	Gasket	1	} Front Cover to Casing
	19609061	Screw— $\frac{1}{8}$ " UNC. \times 1"	4	
	9664202 (9664203)	Washer— $\frac{1}{8}$ " shakeproof	4	} REAR COVER
	P.108101 (1216108)	REAR COVER	1	
A11	1216108	Rear Cover	1	} Bush
A12	P.108103	Bush	2	
A13	9102070	Oil Seal } Rear	1	} Cover
A14	P.108154	Gasket } Cover	1	
	9204029	Clip—Oil Seal	1	} ENGINE (Motor) SUPPORT BRACKET—Rear
A15	29900401	ENGINE (Motor) SUPPORT BRACKET—Rear	1	
	19405121	Stud— $\frac{1}{8}$ " UNF. \times 1 $\frac{1}{8}$ "	1	} Rear Cover and
	9664202 (9664203)	Bolt— $\frac{1}{8}$ " UNC. \times 1 $\frac{1}{8}$ "	4	
	9510050	Washer— $\frac{1}{8}$ " shakeproof	5	} Engine (Motor) Support
	9067023	Nut— $\frac{1}{8}$ " UNF.	2	
	1202541	Washer— $\frac{1}{8}$ " plain	1	} Bracket to Casing
A16	9187205	PRIMARY (Clutch) SHAFT (Stemwheel)	1	
A17	9188040	Roller } Primary (Clutch)	27	} Shaft
A18	P.55508 (9071086)	Bearing } Shaft	1	
A19	9067352	Shield	1	} Abutment Washer—1-578" \times 1-93" \times -0625" to -0615"
A20	9071150	Abutment Washer—1-578" \times 1-93" \times -060" to -058"	1	
	9071151	Abutment Washer—1-578" \times 1-93" \times -058" to -056"	1	} Primary (Clutch) Shaft
	9071152	Abutment Washer—1-578" \times 1-93" \times -056" to -054"	1	
	9071158	Abutment Washer—1-578" \times 2-06" \times -060" to -058"	1	} Bearing
	9071159	Abutment Washer—1-578" \times 2-06" \times -056" to -054"	1	
A21	P.55506	Retaining Ring	1	} Lock Ring
A22	P.55507	Lock Ring	1	
	1202356 (5220490)	MAINSHAFT	1	} See Note 3—Page 116
	5220490	Mainshaft c/w Nut and Washer	1	
	1214085	Nut } 3rd and	1	} 4th Hub
	9067480	Washer } 4th Hub	1	
	1205876 (5220433)	Mainshaft	1	} Mainshaft c/w Nut and Washer
	5220433 (5220620)	Mainshaft c/w Nut and Washer	1	
	1214085	Nut } 3rd and	1	} 4th Hub
	9067480	Washer } 4th Hub	1	
A23	5220620	Mainshaft c/w Nut and Washer	1	} See Note 4—Page 116
A24	1214085	Nut } 3rd and	1	
A25	9067480	Washer } 4th Hub	1	} Mainshaft
A26	9197000	Bearing } Mainshaft	1	
A27	P.55516	Retaining Ring } Mainshaft	1	

GEARBOX (Transmission) UNIT

Plate Ref.	Part Number	DESCRIPTION	No. per Veh.	REMARKS
		GEARBOX (Transmission) UNIT—continued		
	1205532	1st SPEED WHEEL (Gear)	1	See Note 3 See Note 3 & Special Note "A" See Note 4 See Note 1 See Note 2 See Note 1 See Note 2
	1216575	1st Speed Wheel (Gear) (Loaded)	1	
A28	1216037 (1217967)	1st Speed Wheel (Gear)	1	
	1202354	Synchro Hub	1	
A29	1205877	Synchro Hub	1	
	1202355	Distance Piece	1	
A30	1205878	Distance Piece } 2nd Speed	1	
A31	1200435	Shifting Plate	3	
A32	1200025	Circlip	2	
A33	P.116396	Baulking Ring	1	
A34	1202916 (1226264)	2nd SPEED WHEEL (Gear)	1	
A35	1205099 (1226263)	3rd SPEED WHEEL (Gear)	1	
A36	P.105318	Synchro Hub and Sleeve	1	
A37	P.79453	Shifting Plate ... } 3rd and	3	
A38	1200025	Circlip ... } 4th Speed	2	
A39	P.116396	Baulking Ring	2	
	1202371	Spring Ring—116"/115" thick	1	Selective Assembly See Note 1—Page 116
	1202370	Spring Ring—118"/117" thick	1	
	P.109410	Spring Ring—120"/119" thick } 3rd and 4th Hub	1	
	P.109411	Spring Ring—122"/121" thick	1	
	P.109412	Spring Ring—124"/123" thick	1	
	1200442 (1214047)	Distance Piece—148"/147" thick	1	Selective Assembly
	1200443 (1214048)	Distance Piece—145"/144" thick	1	
	1200444 (1214049)	Distance Piece—142"/141" thick } 3rd and 4th Hub	1	
	1200445 (1214050)	Distance Piece—139"/138" thick	1	
	9205018	Circlip	1	See Note 1—Page 116
	P.55514	Distance Piece	1	
A40	P.108106	Tab Washer ... } Mainshaft Securing	1	
	1210201	Tab Washer ... } 1st and 2nd Speed Gears	1	See Note 2—Page 116
A41	9029209	Nut	1	
	1202544	LAYSHAFT CLUSTER (Countershaft Gears)	1	See Note 3 See Note 3 & Special Note A See Note 4
	1216574	Layshaft Cluster (Countershaft Gears)	1	
A42	1216038 (1217855)	Layshaft Cluster (Countershaft Gears)	1	
A43	P.79465 (1235274)	Layshaft Spindle	1	
A44	9187205	Roller	54	
A45	P.27766	Abutment Ring	1	
A46	P.55541 (5220795)	Thrust Washer—Front ... } Layshaft (Countershaft)	1	
A47	P.55542 (5220876)	Thrust Washer—Rear	1	
A48	P.55543	Thrust Washer—Rear (Floating)	1	
	1214319	REVERSE IDLER WHEEL	1	See Note 3—Page 116 See Note 4—Page 116
A49	1216039	Reverse Idler Wheel	1	
A50	P.79466	Reverse Wheel Shaft	1	
A51	9084019	Locking Plate	1	
	19604031	Screw— $\frac{1}{4}$ " UNC. \times $\frac{1}{4}$ "	1	
	9664162	Washer— $\frac{1}{4}$ " shakproof	1	
	P.113466	SPEEDOMETER DRIVING WHEEL (Gear)	1	See Note 1—Page 116 See Note 2—Page 116
A52	1207200	Speedometer Driving Wheel (Gear)	1	
A53	9213001	Key ... } Speedometer	1	
A54	9205052 (9205053)	Circlip } Driving Wheel	2	
	P.108155 (9089043)	Distance Piece—Mainshaft	1	See Note 1—Page 116 See Page 116
		SPEEDOMETER DRIVING PINION	1	
A55	P.108159	Bearing—Speedometer Pinion	1	
A56	9102005	Seal—Speedometer Drive	1	
A57	P.117694	Adaptor—Speedometer Cable	1	

GEARBOX (Transmission) UNIT

Plate Ref.	Part Number	DESCRIPTION	No. per Veh.	REMARKS
		GEARBOX (Transmission) UNIT—continued		
A58	P.88869 (1219684)	Gasket	2	
	19604041	Screw— $\frac{1}{4}$ " UNC. \times $\frac{1}{4}$ " } Adaptor	2	
	9661161	Washer— $\frac{1}{4}$ " spring	2	
A59	P.79468	1st and 2nd SELECTOR SHAFT (Shift Rod)	1	See Note 3 } Page
A60	1216044	1st and 2nd Selector Shaft (Shift Rod)	1	See Note 4 } 116
A61	P.87309	Shift Fork	1	See Note 3 } 116
A62	1217953	Shift Fork } 1st and 2nd	1	See Note 4 } 116
A63	9187006	Ball— $\frac{1}{4}$ " dia. } Selector	1	
A64	P.55557	Spring—Ball	1	
A65	1205772	3rd and 4th SELECTOR SHAFT (Shift Rod)	1	See Note 3 } Page
A66	1205769	3rd and 4th Selector Shaft (Shift Rod)	1	See Note 4 } 116
A67	P.79470	Shift Fork	1	See Note 3 } 116
A68	1202759	Shift Fork	1	See Note 4 } 116
A69	9187006	Ball— $\frac{1}{4}$ " dia. } 3rd and 4th Selector	1	
A70	P.55557	Spring—Ball	1	
A71	9071000	Shims (020°)—Ball Spring }	A/R	
A72	P.79469	REVERSE SELECTOR SHAFT (Shift Rod)	1	See Note 3 } Page
A73	1216043	Reverse Selector Shaft (Shift Rod)	1	See Note 4 } 116
A74	P.79472	Shift Fork	1	See Note 3 } 116
A75	1216041	Shift Fork	1	See Note 4 } 116
A76	P.86920	Distance Piece } Reverse Selector	1	
A77	9187006	Ball— $\frac{1}{4}$ " dia. }	1	
A78	P.55557	Spring—Ball	1	
A79	P.110338	TOP COVER—GEARBOX (Transmission) UNIT	1	See Note 1 } Page 116
	1205982	Top Cover—Gearbox (Transmission) Unit	1	See Notes 2 & 3 } 116
A80	1205885 (1223506)	Top Cover—Gearbox (Transmission) Unit	1	See Note 4 } 116
	1223506	Top Cover—Gearbox (Transmission) Unit	1	
	1205974	Oil Shield	1	
A81	P.87227	Gasket	1	Used with P.110338
	1205886	Gasket	1	Used with 1205982
A82	1205973	Gasket	1	Used with 1205885 and 1223506
	19604061	Screw— $\frac{1}{4}$ " UNC. \times $\frac{1}{4}$ " } Top Cover	8	Used with P.110338
	19604061	Screw— $\frac{1}{4}$ " UNC. \times $\frac{1}{4}$ " } to Casing	6	Used with 1205982
	9664162	Washer— $\frac{1}{4}$ " shakeproof	8	Used with P.110338
	9664162	Washer— $\frac{1}{4}$ " shakeproof	6	Used with 1205982
A83	1202546 (1214419)	Change Speed (Gear Shift) Lever Shaft	1	See Note 3—Page 116
	1214419	Change Speed (Gear Shift) Lever Shaft	1	
A84	1205889	Change Speed (Gear Shift) Lever Shaft	1	See Note 4—Page 116
A85	P.79868 (9146031)	Locating Pin—Lever Shaft	1	
A86	P.102368	Detent Ball Holder	1	
A87	9187006	Ball— $\frac{1}{4}$ " dia. } Neutral	1	
A88	P.81086	Spring—Ball } Detent	1	
A89	9520070	Nut— $\frac{1}{8}$ " UNF.—Detent Ball Holder	1	
A90	1216052	Selector (Shift) Lever—External	1	See Note 4—Page 116
A91	P.108112	Hook Bolt	1	
A92	P.81034	Tab Washer } Lever to Safety Latch	1	
A93	9510040	Nut— $\frac{1}{4}$ " UNF.	1	
A94	P.110339	Change Speed (Gear Shift) Lever—Internal	1	See Note 8—Page 117
	1224448	Change Speed (Gear Shift) Lever—Internal	1	See Note 9—Page 117
	P.53593	Shim—Lever to Shaft	A/R	
A95	9003070	Bolt—Special— $\frac{1}{4}$ " UNF. } Lever to	1	
A96	P.110127	Lockwasher ... } Shaft	1	
A97	P.112088	Selector (Shift) Safety Latch	1	See Note 3—Page 116
A98	1215148	Selector (Shift) Safety Latch	1	See Note 4—Page 116
A99	P.79479 (9146030)	Locating Pin—Safety Latch	1	

GEARBOX (Transmission) UNIT

Plate Ref.	Part Number	DESCRIPTION	No. per Veh.	REMARKS
		GEARBOX (Transmission) UNIT—continued		
A100	9803029	Plug ... } Overdrive	1	} See Note 4— Page 116
A101	9078033	Washer } Switch Hole	1	
A102	9803029	Plug } Reverse Light	1	
A103	9078033	Washer } Switch Hole	1	
		ITEMS NOT INCLUDED IN GEARBOX ASSEMBLY		
	P.113462	SPEEDOMETER PINION { With 5-125 to 1 } Ratio { Axle Ratio } 4 to 15	1	{ With 6-50/6-70 × 15-6 Ply Tyres
	P.113463	Speedometer Pinion { With 5-125 to 1 } Ratio { Axle Ratio } 4 to 16	1	{ With 6-70 × 15-6 Ply Tyres
	P.113463	Speedometer Pinion { With 5-125 to 1 } Ratio { Axle Ratio } 4 to 16	1	{ With 6-00/6-40 × 15-6 Ply Tyres
	P.113464	Speedometer Pinion { With 5-625 to 1 } Ratio { Axle Ratio } 4 to 17	1	{ With 6-00/6-40 × 15 or 6-50/6-70 × 15-6 Ply Tyres
A104	1202523	ENGINE (Motor) SUPPORT BRACKET—REAR	1	See Page 113
A105	1202690	Engine (Motor) Support Bracket Fixings	2	
	19106241	Mounting Rubber—Rear	2	
	9067042	Bolt— $\frac{1}{2}$ " UNF. × 3"	2	
	9067249	Washer— $\frac{1}{2}$ " plain } Mounting Rubber to	2	
	9571063	Washer— $\frac{1}{2}$ " plain } Support Bracket	4	
	19505051	Nut— $\frac{1}{2}$ " Nyloc	2	
	9660201	Screw— $\frac{3}{8}$ " UNF.	4	
	9510050	Washer— $\frac{3}{8}$ " spring } Mounting Rubber to Frame	4	
		Nut— $\frac{3}{8}$ " UNF.	4	
		Note 1. Used prior to Chassis Nos. Listed in Note 2.		
		Note 2. Used on and after Chassis Nos.:— 1500/-/006324/ 006329-006331-006334/006336-006345/006396-006398/ 006427-006429/006433-006435/006440-006442/006445- 006447/006457-006459/006483-006485/006497-006499/ 006503-006506/006528-006530/006552-006554/006555- 006557/006572-006574 onwards, CKD Chassis No. 1500/-/71021.		
		Note 3. Used prior to introduction of 1500 Series IIA and 2500 Series—See also Note in Preliminary Section.		
		Note 4. Used on and after introduction of 1500 Series IIA and 2500 Series—See also Note in Preliminary Section.		
		Note 5. Used prior to Gearbox Nos. and Chassis Nos. listed in Note 6.		

GEARBOX (Transmission) UNIT

Plate Ref.	Part Number	DESCRIPTION	No. per Veh.	REMARKS
		<p>Note 6. Used on and after Gearbox Numbers:— Petrol : 20/1133 Diesel : 21/545. CKD Australia Engine No. 2CB44 and Chassis No. 1500/-/218750. CKD Chassis No. 1500/-/272671. Certain vehicles after Chassis No. 1500/-/218750 and up to Chassis No. 1500/-/219546 were fitted with the early condition but all vehicles on and after Chassis No. 1500/-/219546 are fitted with the late condition. Check Before Ordering.</p> <p>Note 7. When fitting Gearbox Assembly 5200462 for vehicles fitted with a Dust Cover on the Propellor Shaft, it will be necessary to remove the dust cover or fit Propellor Shaft 1216183—See Propellor Shaft. It will also be necessary to ensure that Shift Lever 1214420 and Fixings—Shown in Gearbox (Transmission) Controls—Early Models are also used.</p> <p>Special Note A. These details are introduced for SPECIAL SERVICE REPLACEMENT ONLY and cannot be used to replace 1st Speed Wheel (Gear) 1216037 or Layshaft Cluster 1216038.</p> <p>Note 8. Used prior to Gearbox Nos.:— Petrol Models 7820 Diesel Models 2276.</p> <p>Note 9. Used on and after Gearbox Nos. listed in Note 8.</p>		

GEARBOX (Transmission) UNIT — ALL SYNCHROMESH

Plate Ref.	Part Number	DESCRIPTION	No. per Veh.	REMARKS
		NOTE. THIS SECTION IS APPLICABLE TO CHASSIS SERIES 30000 ONWARDS—FOR DETAILS OF EARLIER CONDITION SEE PAGES 113-117.		
	5200627 (5200705)	GEARBOX (Transmission) UNIT	1	SPECIAL NOTE: Reference should be made to Publication No. 6601229 Gearbox (Standard Transmission) Unit — for component details of 5200705
B1	1224500	Casing	1	
B2	9801043	Plug ... } Gearbox	1	
B3	5220713	Washer ... } Filler	1	
B4	9801043	Plug ... } Gearbox	1	
B5	5220713	Washer ... } Drain	1	
B6	1224586	FRONT COVER	1	
B7	9102080	Oil Seal—Front Cover	1	
B8	1224595	Gasket	1	
	25900442	Stud— $\frac{1}{8}$ " UNF/UNC. } Front Cover	4	
	9661201	Washer— $\frac{1}{8}$ " spring } to Casing	4	
	5220704	Nut— $\frac{1}{8}$ " UNF.	4	
B9	1216120	REAR COVER	1	
B10	5220886	Bush	2	
B11	9102070	Oil Seal } Rear Cover	1	
B12	9204029	Circlip	1	
		ENGINE (Motor) SUPPORT BRACKET—Rear		See Page 121
B13	P.108154	Gasket	1	Petrol Models and Early Diesel Models
	19405121	Bolt— $\frac{1}{2}$ " UNC. \times 1 $\frac{1}{2}$ " } Rear Cover and Engine (Motor)	5	
	9067023	Washer— $\frac{1}{2}$ " plain	2	
	9664202	Washer— $\frac{1}{2}$ " shakeproof } Support Bracket to Casing	5	
	19405121	Bolt— $\frac{1}{2}$ " UNC. \times 1 $\frac{1}{2}$ " }	4	
	9067023	Washer— $\frac{1}{2}$ " plain	2	Late Diesel Models
	9664202	Washer— $\frac{1}{2}$ " shakeproof	4	
	9003190	Dowel Bolt— $\frac{1}{2}$ " UNC. \times 1 $\frac{1}{2}$ " } Mounting Bracket and } Gearbox Casing	1	
	9084077	Tab Washer	1	
B14	1229455	PRIMARY (Clutch) SHAFT (Steerwheel)	1	
B15	9187220	Rollers	23	
B16	1224578	Collar } Primary (Clutch) Shaft	1	
B17	9188040	Bearing	1	
B18	9071086	Shield	1	
B19	9067352	Abutment Washer—1-578" \times 1-93" \times 0.025" to 0.615" }	1	Selective Assembly
	9071150	Abutment Washer—1-578" \times 1-93" \times 0.60" to 0.58" }	1	
	9071151	Abutment Washer—1-578" \times 1-93" \times 0.58" to 0.56" } Primary }	1	
	9071152	Abutment Washer—1-578" \times 1-93" \times 0.56" to 0.54" } (Clutch) }	1	
	9071158	Abutment Washer—1-578" \times 2-06" \times 0.60" to 0.58" } Shaft	1	
	9071159	Abutment Washer—1-578" \times 2-06" \times 0.56" to 0.54" } Bearing	1	
	1224593	Retaining Ring	1	
B21	P.55507	Lock Ring	1	
B22	1229418	MAINSHAFT	1	
B23	9197000	Bearing—Mainshaft	1	
B24	P.55516	Retaining Ring—Bearing	1	
B25	1224537	1st SPEED WHEEL (Gear)	1	
B26	1224545	Distance Piece—1st Speed Wheel (Gear)	1	
B27	1224530	2nd SPEED WHEEL (Gear)	1	
B28	1228905	Synchro Hub and Sleeve—1st and 2nd Speed	1	
B29	1224547	Shifting Plate	3	
B30	1224540	Circlip ... } 1st and 2nd Speed	2	
B31	5220875	Baulking Ring	2	
B32	1224532	3rd SPEED WHEEL (Gear)	1	
B33	1228906	REVERSE WHEEL AND 3rd — 4th SYNCHRO HUB	1	
B34	1224544	Shifting Plate	3	
B35	1224540	Circlip	2	
B36	5220875	Baulking Ring	2	
B37	1217970	Nut—3rd and 4th Speed Hub	1	

GEARBOX (Transmission) UNIT — ALL SYNCHROMESH

Plate Ref.	Part Number	DESCRIPTION	No. per Veh.	REMARKS
		GEARBOX (Transmission) UNIT—ALL SYNCHROMESH— continued		
B38	9029206	Nut—Mainshaft Rear Bearing	1	
	1210201	Tab Washer—Mainshaft Rear Nut	1	
B39	1224512	LAYSHAFT CLUSTER (Countershaft Gears)...	1	
B40	1224502	Layshaft Spindle	1	
B41	9187205	Roller ... } Layshaft	54	
B42	P.27766	Abutment Ring (Countershaft)	2	
	1224503	Thrust Washer—060/058" }	1	} Selective Assembly
	1224504	Thrust Washer—063/061" } Front } Layshaft	1	
B43	1224505	Thrust Washer—066/064" } (Countershaft)	1	
	1224506	Thrust Washer—069/067" }	1	
B44	5220868	Thrust Washer—Rear	1	
B45	1224509	Locking Plate	1	
B46	19604031	Screw— $\frac{1}{2}$ " UNC. \times $\frac{1}{4}$ "	1	
B47	9664162	Washer— $\frac{1}{4}$ " shakeproof	1	
B48	1229538	REVERSE IDLER WHEEL	1	} Early Late
	1235278	Reverse Idler Wheel	1	
B49	1224513	Spindle—Reverse Idler	1	
B50	9146192	Pin—260/257" dia. \times $1\frac{1}{2}$ " long }	1	
B51	19909031	Screw— $\frac{1}{2}$ " UNF. \times $\frac{1}{4}$ " ... } Reverse Idler Spindle	1	
B52	9078012	Washer— $\frac{1}{2}$ " Fibre	1	
B53	1207200	SPEEDOMETER DRIVING WHEEL (Gear)	1	
B54	9213001	Key ... } Speedometer	1	
B55	9209053	Circlip } Driving Wheel	2	} See Page 121
		SPEEDOMETER DRIVING PINION	1	
B56	P.108159	Bearing—Speedometer Pinion	1	
B57	9103005	Seal—Speedometer Drive	1	
B58	P.117694	Adapter—Speedometer Cable	1	
B59	1219684	Gasket	1	
	19404041	Screw— $\frac{1}{2}$ " UNC. \times $\frac{1}{4}$ " } Adaptor	2	
	9661161	Washer— $\frac{1}{4}$ " spring	2	
B60	1229302	1st and 2nd SELECTOR SHAFT (Shift Rod)	1	
B61	1229303	Shift Fork	1	
B62	9187008	Ball— $\frac{1}{2}$ " dia. } 1st and 2nd Selector	1	
B63	P.82493	Spring—Ball	1	
B64	1229302	3rd and 4th SELECTOR SHAFT (Shift Rod)	1	
B65	1229301	Shift Fork	1	
B66	9187008	Ball— $\frac{1}{2}$ " dia. } 3rd and 4th Selector	1	
B67	P.82493	Spring—Ball	1	
B68	1224599	Distance Piece	1	
B69	1229305	REVERSE SELECTOR SHAFT (Shift Rod)	1	
B70	1229304	Shift Fork	1	
B71	9187008	Ball— $\frac{1}{2}$ " dia. } Reverse	1	
B72	P.82493	Spring—Ball } Selector	1	
B73	9071002	Shim—020"	A/R	
B74	1224501	Pivot—Relay Lever	1	
B75	1219876	Relay Lever c/w Pin } Reverse Gear	1	
B76	1220204	Shoe—Relay Lever	1	
B77	1223586	TOP COVER—GEARBOX (Transmission) UNIT	1	
B78	1228226	Oil Shield	1	
B79	1205973	Gasket ... } Top Cover and Oil	2	
	19604061	Screw— $\frac{1}{2}$ " UNC. \times $\frac{1}{4}$ " } Shield to Casing	6	
	9664163	Washer— $\frac{1}{4}$ " shakeproof	6	
B80	1205889	Change Speed (Gear Shift) Lever Shaft	1	
B81	9146031	Locating Pin—Lever Shaft	1	
B82	P.102368	Detent Ball Holder	1	
B83	9187006	Ball— $\frac{1}{4}$ " dia. } Neutral	1	
B84	P.81086	Spring—Ball } Detent	1	
B85	5220705	Locknut— $\frac{1}{2}$ " UNF.—Detent Ball Holder	1	

GEARBOX (Transmission) UNIT — ALL SYNCHROMESH

Plate Ref.	Part Number	DESCRIPTION	No. per Veh.	REMARKS
		GEARBOX (Transmission) UNIT—ALL SYNCHROMESH— continued		
B86	1216052	Change Speed (Gear shift) Lever—External	1	
B87	P.108112	Hook Bolt	1	
B88	P.81034	Tabwasher ... } Lever to Safety Latch	1	
B89	9510040	Nut— $\frac{1}{2}$ " UNF.	1	
B90	P.110339	Change Speed (Gear shift) Lever—Internal	1	
B91	9003070	Bolt—Special— $\frac{1}{2}$ " UNF. ... } Lever to	1	
B92	P.110127	Lockwasher ... } Shaft	1	
B93	1228224	Selector (Shift) Safety Latch	1	
B94	9146030	Locating Pin—Safety Latch	1	
B95	9803029	Plug ... } Overdrive	1	
B96	9078033	Washer } Switch Hole	1	
	9803029	Plug } Reverse Light	1	
	9078033	Washer } Switch Hole	1	
		ITEMS NOT INCLUDED IN GEARBOX ASSEMBLY		
B97	P.113462	SPEEDOMETER PINION { With 5-125 to 1 } Ratio Axle Ratio } 4 to 15	1	{ With 6-50/6-70 \times 15 6 Ply Tyres (Passenger)
	P.113463	Speedometer Pinion { With 5-125 to 1 } Ratio Axle Ratio } 4 to 16	1	{ With 6-00/6-40/6-70 \times 15 6 Ply Tyres (Commercial) —See Note 1
	P.113464	Speedometer Pinion { With 5-625 to 1 } Ratio Axle Ratio } 4 to 17	1	{ With 6-00/6-40/6-50/6-70 \times 15 6 Ply Tyres (Commercial)
B98	1202523	ENGINE (Motor) SUPPORT BRACKET—Rear	1	{ Petrol and Early Diesel Models only
	1236575	ENGINE (Motor) SUPPORT BRACKET—Rear Engine (Motor) Support Bracket Fixings	1	Late Diesel Models See Page 119
B99	1202690	Mounting Rubber—Rear	2	
	19106241	Bolt, $\frac{1}{2}$ " U.N.F. \times 3"	2	
	9067042	Washer— $\frac{1}{2}$ " plain } Mounting Rubber	2	
	9067249	Washer— $\frac{1}{2}$ " plain } to Support Bracket	4	
	9571063	Nut— $\frac{1}{2}$ " Nyloc	2	
	19505051	Screw— $\frac{3}{8}$ " U.N.F.	4	
	9660201	Washer— $\frac{3}{8}$ " spring } Mounting Rubber to Frame	4	
	9510050	Nut— $\frac{3}{8}$ " U.N.F.	4	
		Note 1. For Associated British Foods—Special Order only.		

GEARBOX (Transmission) CONTROLS

GEARBOX (Transmission) CONTROLS



PLATE A

GEARBOX (Transmission) CONTROLS

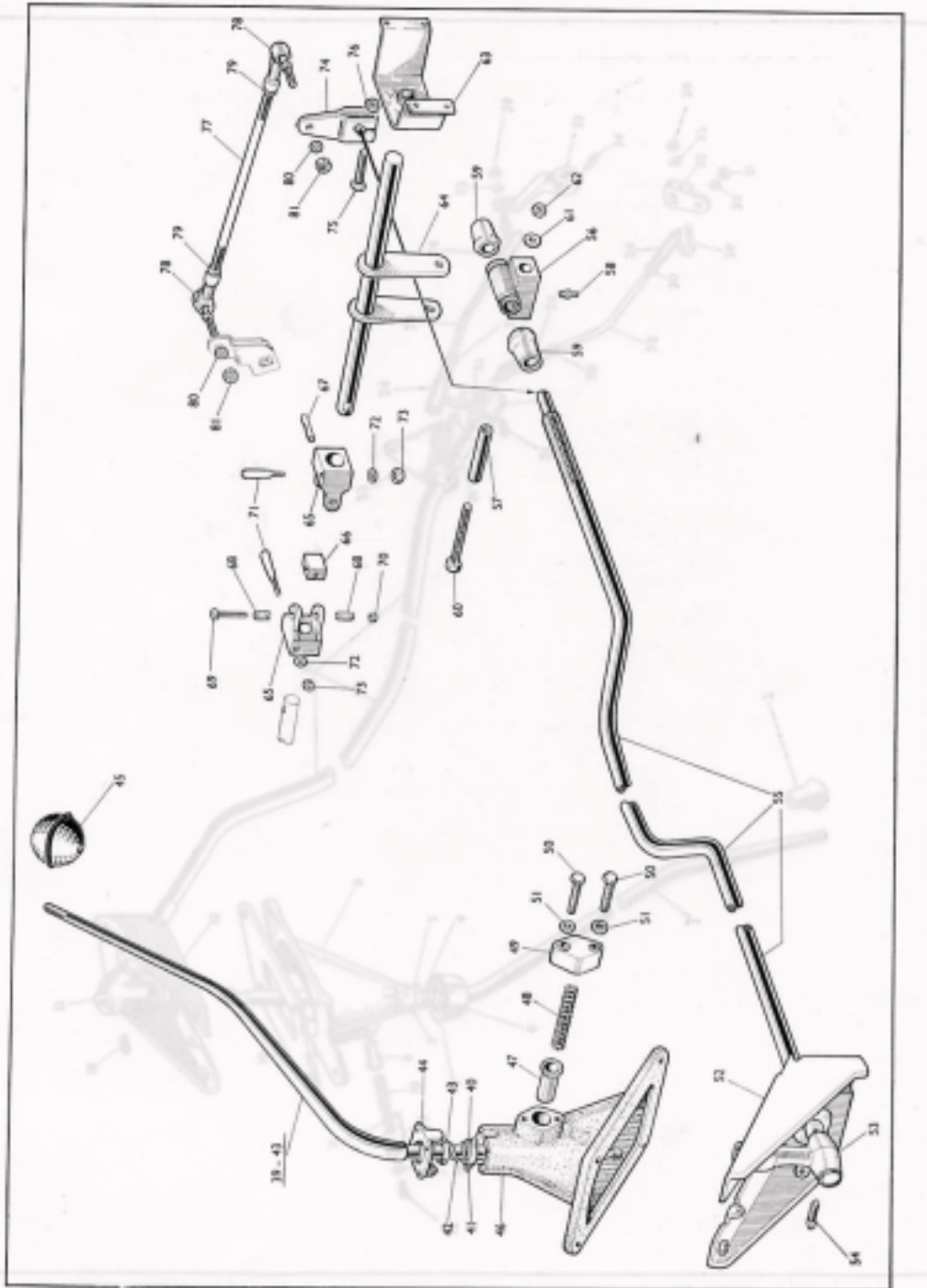


PLATE B

GEARBOX (Transmission) CONTROLS

Plate Ref.	Part Number	DESCRIPTION	No. per Veh.	REMARKS
		GEARBOX (Transmission) CONTROLS — EARLY MODELS Used prior to introduction of 1500 Series IIA and 2500 Series— See also Note in Preliminary Section.		
A1-A5	1202218	CHANGE SPEED (Gear Shift) LEVER ASSEMBLY ...	1	
A2	P.102391	Spherical Ball ...	1	
A3	9146112	Pin ...	1	
A4	P.115144	Spring ...	1	
A5	P.106391	Closing Disc—Fulcrum Support ...	1	
A6	P.101794	Cap—Fulcrum Support ...	1	
A7	P.106392	Knob—Change Speed Lever ...	1	
A8	1202217	FULCRUM HOUSING ...	1	
A9	P.55489	Plunger ...	1	
A10	1201820	Plunger Spring ...	1	
A11	P.118845	Auxiliary Spring ...	1	Late Models
	1205904	Auxiliary Spring Outer ...	1	
A12	1205016	Plate—Spring ...	1	
A13	19604051	Screw— $\frac{1}{2}$ " U.N.C. \times $\frac{3}{4}$ " } Plate to ...	2	
A14	9660161	Washer— $\frac{1}{2}$ " spring ... } Support ...	2	
A15	1202653	Fulcrum Housing Support Bracket Assembly ...	1	
A16	1208022	Restricting Gate ...	1	
	19505091	Screw— $\frac{3}{8}$ " U.N.F. \times $1\frac{1}{2}$ " } Fulcrum Housing ...	4	
	9664202	Washer— $\frac{3}{8}$ " shakeproof } to Floor and ...	4	
	9067101	Washer— $\frac{3}{8}$ " plain ... } Support Bracket ...	4	
	19505061	Screw— $\frac{3}{8}$ " U.N.F. \times $1\frac{1}{2}$ " } Support Bracket ...	2	
	9664202	Washer— $\frac{3}{8}$ " shakeproof } to Floor ...	2	
A17	1202220	Change Speed Lever Ball Socket ...	1	
A18	P.101063	Screw—Ball Socket to Shaft ...	1	
A19	1202662	CHANGE SPEED (Gear Shift) ROD ...	1	Petrol Models
	1203192	Change Speed (Gear Shift) Rod—R.H.D. ...	1	Diesel Models
	1203193	Change Speed (Gear Shift) Rod—L.H.D. ...	1	
	1205371	Sleeve—Rubber—Gear Change Rod ...	1	
A20	1202670	Coupling Assembly—Change Speed Rod—R.H.D. ...	1	
	1202671	Coupling Assembly—Change Speed Rod—L.H.D. ...	1	
A21	P.101063	Screw—Coupling to Rod ...	1	
A22	1205926	Change Speed Rod Support Bracket Assembly—Rear—R.H.D. ...	1	Petrol Models
	1205929	Change Speed Rod Support Bracket Assembly—Rear—L.H.D. ...	1	
	1205928	Change Speed Rod Support Bracket Assembly—Rear—R.H.D. ...	1	Diesel Models
	1205930	Change Speed Rod Support Bracket Assembly—Rear—L.H.D. ...	1	
	P.68139	Distance Piece ...	2	
	19104061	Bolt— $\frac{1}{2}$ " U.N.F. \times $\frac{1}{2}$ " } Support Bracket ...	2	
	9664242	Washer— $\frac{1}{2}$ " shakeproof } Fixing ...	2	
	9510060	Nut— $\frac{1}{2}$ " U.N.F. ... } ...	2	
A23	1202677	GEAR CHANGE ROD ...	1	
A24	P.101092	Ball Joint ...	2	
A25	9520050	Nut— $\frac{3}{8}$ " U.N.F.—Ball Joint to Rod ...	2	
A26	9510050	Nut— $\frac{3}{8}$ " U.N.F. ... } Ball Joint ...	1	
A27	9664202	Washer— $\frac{3}{8}$ " shakeproof } to Lever ...	2	
A28	1202676	SELECTOR ROD ...	1	
A29	P.101092	Ball Joint ...	2	
A30	9520050	Nut— $\frac{3}{8}$ " U.N.F.—Ball Joint to Rod ...	2	
A31	9510050	Nut— $\frac{3}{8}$ " U.N.F. ... } Ball Joint ...	2	
A32	9664202	Washer— $\frac{3}{8}$ " shakeproof } to Rod ...	2	
A33	1202222	SHIFT LEVER—GEARBOX (Transmission) ...	1	See Note 1— Page 128
A34	P.101063	Screw—Lever to Shaft ...	1	

GEARBOX (Transmission) CONTROLS

Plate Ref.	Part Number	DESCRIPTION	No. per Veh.	REMARKS
		GEARBOX (Transmission) CONTROLS—continued		
	1214420	Shift Lever—Gearbox (Transmission)	1	} See Note 2— Page 128
	P.101105	Bolt—Cotter	1	
	9067015	Washer— $\frac{1}{2}$ " plain } Lever to Shaft	1	
	9510040	Nut— $\frac{1}{2}$ " U.N.F. }	1	
A35	1202420	SELECTOR LEVER—GEARBOX (Transmission)—R.H.D. ...	1	
	1202421	Selector Lever—Gearbox (Transmission)—L.H.D. ...	1	
A36	P.108112	Hook Bolt	1	
A37	P.81034	Tab Washer } Lever to Selector Safety Latch	1	
A38	9510040	Nut— $\frac{1}{2}$ " UNF. }	1	
		Note 1. Used prior to Gearbox and Chassis Nos. listed in Note 2.		
		Note 2. Used on and after Gearbox Nos.:— Petrol: 6639/20 Diesel: 3621/21 and Chassis No. 1500/-/015087 CKD Chassis No. 1500/-/72305.		
		Special Note. Certain Vehicles after Chassis No. 1500/-/015087 and up to Chassis No. 1500/-/017292 were fitted with the early condition, but all vehicles on and after Chassis No. 1500/-/017292 are fitted with the late condition. Check Type Before Ordering.		

GEARBOX (Transmission) CONTROLS

Plate Ref.	Part Number	DESCRIPTION	No. per Veh.	REMARKS	
		GEARBOX (Transmission) CONTROLS — LATE MODELS Used on and after introduction of 1500 Series IIA and 2500 Series — See also Note in Preliminary Section.			
B39-B43	1216203	CHANGE SPEED (Gear Shift) LEVER ASSEMBLY ...	1	Not supplied	
B40		Spherical Ball ...	1		
B41	9146189	Pin ...	1		
B42	W.13290	Spring ...	1		
B43	1208550	Cap—Ball Spring ...	1		
B44	1208551	Retaining Cap—Fulcrum Support ...	1		
	19604061	Screw— $\frac{1}{4}$ " UNC. \times $\frac{1}{2}$ " } Cap to ...	4		
	9664162	Washer— $\frac{1}{2}$ " shakeproof } Fulcrum Support	4		
B45	1216207	Knob—Change Speed Lever ...	1		
	9133216	Clip ...	1		
B46	1216208	FULCRUM HOUSING ...	1		
B47	1208554	Plunger ...	1		
B48	1216209	Plunger Spring } Reverse Stop ...	1		
B49	1208556	Cap—Spring ...	1		
B50	19404121	Screw— $\frac{1}{4}$ " UNC. \times $\frac{1}{2}$ " ...	2		
B51	9664162	Washer— $\frac{1}{2}$ " shakeproof ...	2		
B52	1208557	Fulcrum Housing Support Bracket Assembly ...	1		
	19505061	Screw— $\frac{1}{8}$ " UNF. \times $\frac{1}{2}$ " } Support Bracket	2		
	9664202	Washer— $\frac{1}{8}$ " shakeproof } to Floor ...	2		
	19505091	Screw— $\frac{1}{8}$ " UNF. \times $\frac{1}{4}$ " } Fulcrum Housing	4		
	9664202	Washer— $\frac{1}{8}$ " shakeproof } to Floor and ...	4		
	9067022	Washer— $\frac{1}{8}$ " plain } Support Bracket	4		
B53	1208559	Change Speed Lever Ball Socket ...	1		
B54	P.101063	Screw—Ball Socket to Shaft ...	1		
B55	1216211	CHANGE SPEED (Gear Shift) ROD ...	1		Petrol Models
	1216212	Change Speed (Gear Shift) Rod—R.H.D. ...	1		
	1216213	Change Speed (Gear Shift) Rod—L.H.D. ...	1		Diesel Models
B56	1216214 (1219069)	Trunnion Assembly—Change Speed Rod ...	1		
B57	1216215 (1219070)	Bush—Trunnion ...	1		
B58	9217013	Greaser—Trunnion ...	1		
B59	1216216	Gaiter—Rubber—Trunnion ...	2		
B60	19505201	Screw— $\frac{1}{8}$ " UNF. \times $2\frac{1}{2}$ " ...	1		
B61	9664201	Washer— $\frac{1}{8}$ " shakeproof } Trunnion to Relay Shaft Levers	1		
B62	9510050	Nut— $\frac{1}{8}$ " UNF. ...	1		
B63	1216200	Change Speed Rod Support Bracket Assembly—Rear	1		
	9747089	Screw—Tapping— $\frac{1}{8}$ " \times $\frac{1}{2}$ " } Support Bracket	4		
	9067023	Washer— $\frac{1}{8}$ " plain } to Frame ...	4		
B64	1216218	RELAY SHAFT ASSEMBLY ...	1		
B65	1216221	Coupling—Relay Shaft ...	2		
B66	1216222	Yoke ...	1		
B67	1216223	Pin ...	1		
B68	1216224	Pivot Pin ...	2		
B69	39802280	Screw—No. 8 UNC. \times $1\frac{1}{2}$ " } Coupling	1		
B70	9034033	Nut—No. 8 UNC. ... } Pin ...	1		
B71	P.101105	Bolt—Cotter ...	2		
B72	9067015	Washer— $\frac{1}{2}$ " plain ...	2		
B73	9510040	Nut— $\frac{1}{2}$ " UNF. ...	2		
B74	1216217	Selector Lever ...	1	Price to Chassis No. 30000 On and after Chassis No. 30000	
	1219075	Selector Lever ...	1		
B75	19105120	Bolt— $\frac{1}{8}$ " UNF. \times $1\frac{1}{2}$ " ...	1		
	9067023	Washer— $\frac{1}{8}$ " plain } Lever to Change Speed Rod	2		
B76	9510050	Nut— $\frac{1}{8}$ " UNF. ...	1		

GEARBOX (Transmission) CONTROLS

Plate Ref.	Part Number	DESCRIPTION	No. per Veh.	REMARKS
		GEARBOX (Transmission) CONTROLS—continued		
B77	1216227	SELECTOR ROD ASSEMBLY	1	{ Prior to Chassis No. 300000 On and after Chassis No. 300000
	1219081	Selector Rod Assembly	1	
B78	1216226	Ball Joint	2	
B79	9520050	Locknut— $\frac{1}{8}$ " UNF.	2	
B80	9664202	Washer— $\frac{1}{8}$ " shakeproof	2	
B81	9510050	Nut— $\frac{1}{8}$ " UNF. ... } Ball Joints to Levers	2	

PROPELLOR SHAFT

PROPELLOR SHAFT

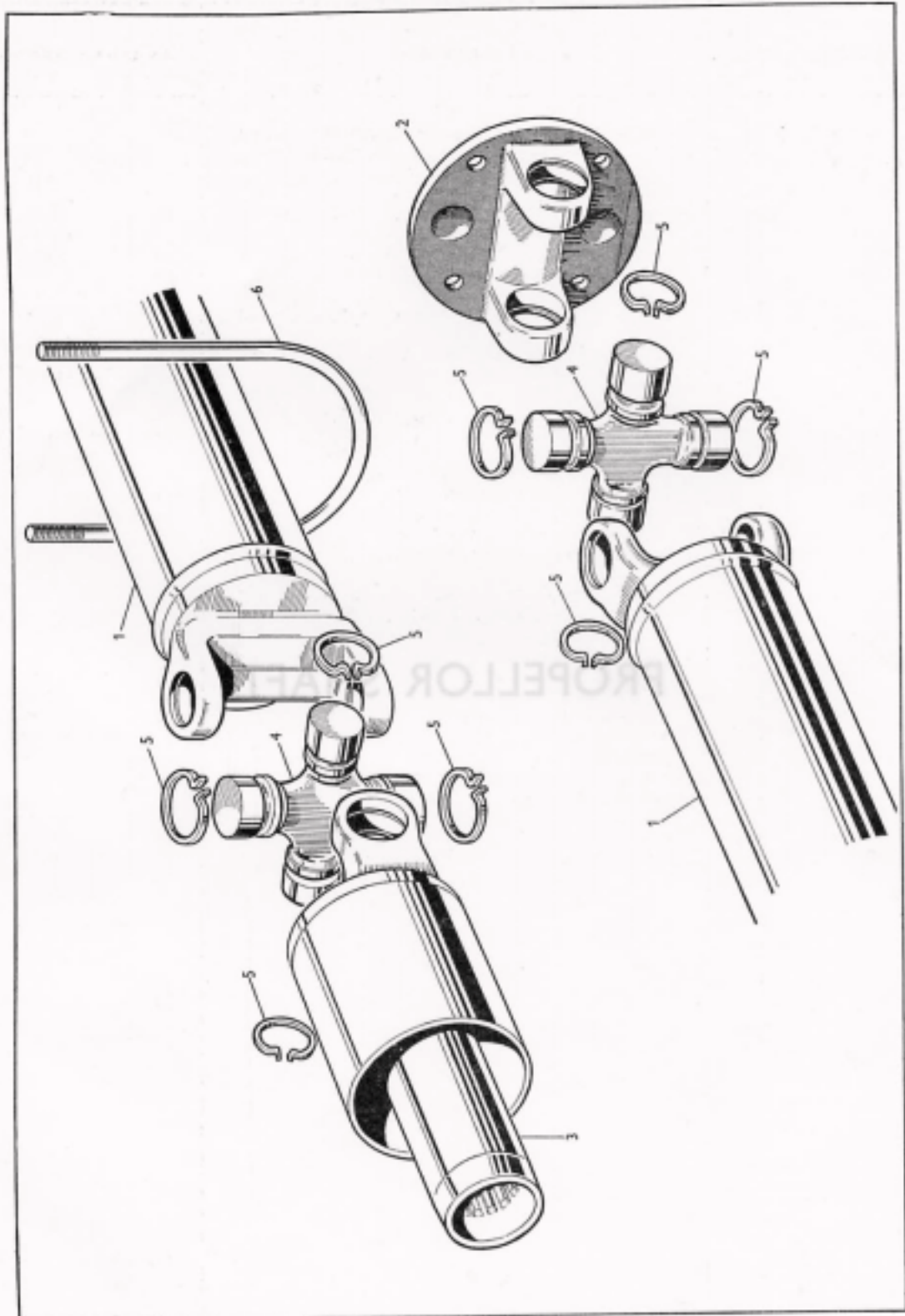


PLATE A

PROPELLOR SHAFT

Plate Ref.	Part Number	DESCRIPTION	No. per Veh.	REMARKS
	1205111	PROPELLOR SHAFT (Overall Length 40-03"—Coupling O/D 3-44")	1	} Not supplied } See Note 1—Page 134 } See Rear Axle
A1		Tubular Shaft Assembly	1	
A2	K.9279	Flange Yoke	1	
A3	K.25149 (5040140)	Sleeve Yoke Assembly	1	
A4	5038495	Journal and Bearing Pack	2	
A5	K.10099	Snap Ring	8	
	9003047	Bolt— $\frac{3}{8}$ " UNF. \times $\frac{1}{2}$ " } Shaft to	4	
		Washer } Driver Coupling		
		Nut } (Companion Flange)		
	1215314 (1216183)	Propeller Shaft	1	
		Tubular Shaft Assembly	1	
	5039569	Flange Yoke	1	
	5039568	Sleeve Yoke Assembly	1	
	5039570	Journal and Bearing Pack	2	
	9204098	Snap Ring	8	
		Bolt } Shaft to Driver		
	9664242	Washer— $\frac{1}{2}$ " shakeproof } Coupling	4	
	9510060	Nut— $\frac{1}{2}$ " UNF. ... } (Companion Flange)	4	
	1216183	Propeller Shaft (Overall Length 40-935"—Coupling O/D 3-81") ...	1	See Note 5—Page 134
	1219085	Propeller Shaft	1	} Not supplied } See Note 6—Page 134 } See Rear Axle } See Note 3 } Page 134 } See Note 4 }
		Tubular Shaft Assembly	1	
	5039569	Flange Yoke	1	
	5039568	Sleeve Yoke Assembly	1	
	5039570	Journal and Bearing Pack	2	
	9204098	Snap Ring	8	
	5043292	Lubricator (Grease Nipple)	2	
		Bolt } Shaft to Driver		
	9664242	Washer— $\frac{1}{2}$ " shakeproof } Coupling	4	
	9510060	Nut— $\frac{1}{2}$ " UNF. ... } (Companion Flange)	4	
A6	9009005 (9009095)	PROPELLOR SHAFT GUARD	1	
	9009095	Propeller Shaft Guard	1	
	9510050	Nut— $\frac{3}{8}$ " UNF.	4	
	9660201	Washer— $\frac{3}{8}$ " spring } Guard to Frame	2	
	9067027	Washer— $\frac{3}{8}$ " plain }	4	

PROPELLOR SHAFT

Plate Ref.	Part Number	DESCRIPTION	No. per Veh.	REMARKS
		<p>Note 1. Petrol/Diesel Home Vehicles up to Chassis No. 300000 and Diesel Export Vehicles up to Chassis No. 1500 Series II V.T.D. 217594.</p> <p>Note 2. Petrol Export Vehicles First Production 1500 Series II up to Chassis No. 300000 and all Diesel Export Vehicles on and after Chassis No. 1500 Series II V.T.D. 217594 up to Chassis No. 300000.</p> <p>Note 3. Used prior to Chassis No. listed in Note 4.</p> <p>Note 4. Used on and after Chassis No. 1500-/012060 and C.K.D. Chassis No. 1500-/71867.</p> <p>Note 5. Used in conjunction with modified Gearbox Rear Cover—Part No. 1216108 (See Gearbox (Transmission) Unit—Early Models). The Component Parts of Propellor Shaft 1215314 are as listed for Shaft Part No. 1215314, but the Dust Cover is not fitted. Early Condition Propellor Shaft (1215314) can be used with Modified Gearbox Rear Cover (1216108) providing the Dust Cover is removed.</p> <p>Note 6. Used on all vehicles after Chassis No. 300000, i.e., those fitted with Gearbox (Transmission) Unit—All Synchronesh.</p>		

REAR AXLE

REAR AXLE

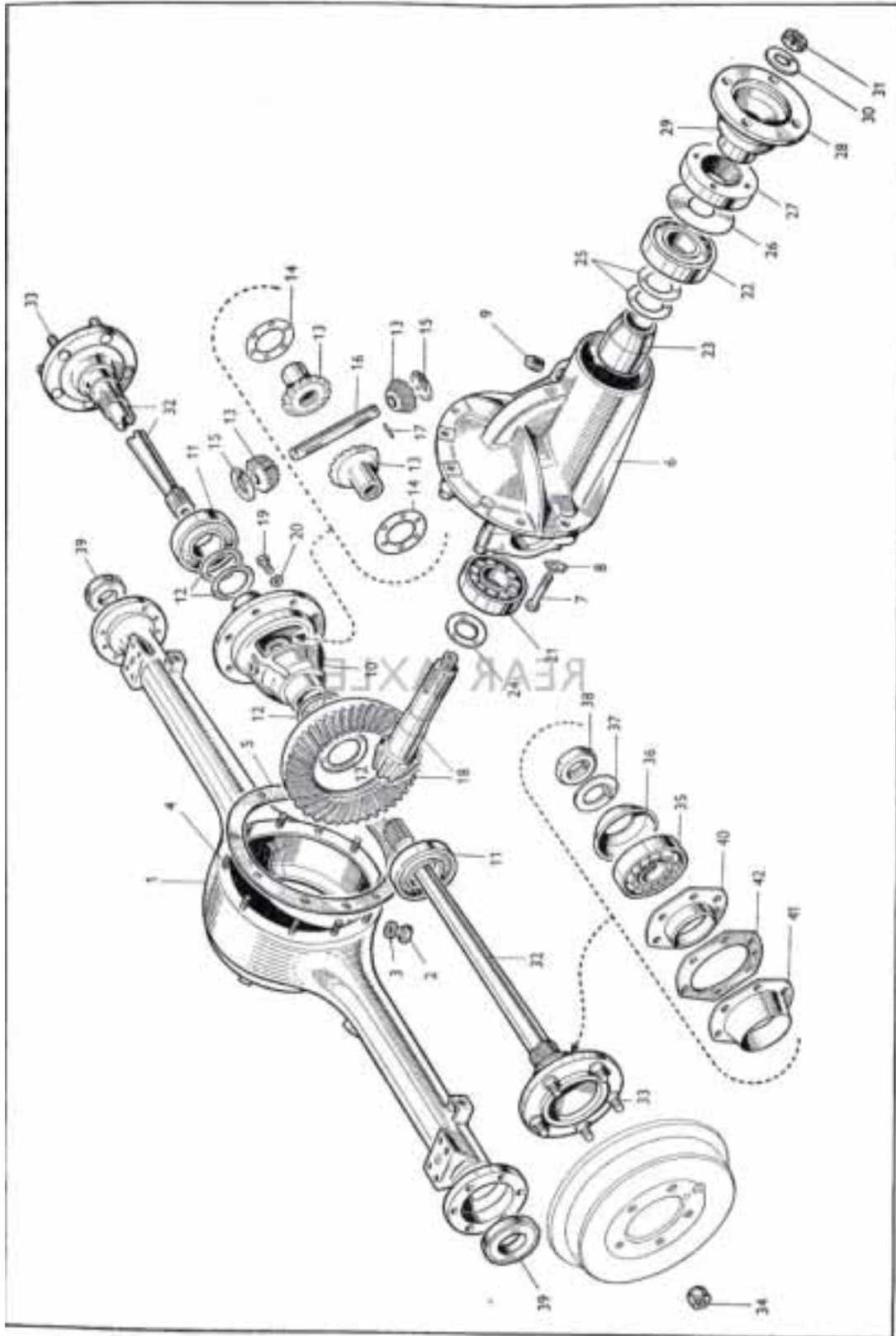


PLATE A

REAR AXLE

Plate Ref.	Part Number	DESCRIPTION	No. per Veh.	REMARKS
		REAR AXLE UNIT		Not supplied
A1	1205774	Casing Assembly	1	1500 Series I and II
	1215654	Casing Assembly	1	2500 Series
A2	9801043	Drain Plug— $\frac{1}{2}$ " B.S.P.	1	
A3	9077616	Drain Plug Washer	1	
A4	29505092	Stud— $\frac{3}{8}$ " UNF. \times $1\frac{1}{2}$ "	10	
	9660201	Washer— $\frac{3}{8}$ " spring	10	
	9510050	Nut— $\frac{3}{8}$ " UNF.	10	
A5	P.83367	Joint (Gasket)	1	
	1200696	DIFFERENTIAL UNIT—Ratio 5-125 to 1	1	See Note 1
	1200695	Differential Unit—Ratio 5-625 to 1	1	See Note 2
	1210147	Differential Unit—Ratio 5-125 to 1	1	See Note 3
	1210148	Differential Unit—Ratio 5-625 to 1	1	See Note 4
A6	P.48763	Housing (Carrier) c/w Bearing Caps	1	
A7	9003083	Bolt—Special— $\frac{7}{8}$ " UNF.	4	
A8	1201798	Tabwasher	4	
A9	9804060	Plug—Housing Oil Level— $\frac{1}{2}$ " B.S.P.	1	
A10	1203370	Differential Box (Housing)	1	
A11	P.42839 (9192078)	Differential Bearing	2	
	P.79837 (9071096)	Shim—010"	A/R	
A12	P.79838 (9071095)	Shim—005" Differential Bearing	A/R	
	P.79839 (9071094)	Shim—003"	A/R	
A13-A17	5200245	DIFFERENTIAL WHEEL (Gear) AND PINION SET	1	
A14	1207646	Thrust Washer—Differential Wheel (Gear)	2	
A15	1207647	Thrust Washer } Differential	2	
A16	P.83376	Cross Pin } Pinion	1	
A17	P.79858	Lock Pin	1	
A18	5200244	CROWN WHEEL (Ring Gear) AND BEVEL PINION—Ratio 5-125 to 1	1	Standard—Except 2500 Diesel
	5200243	Crown Wheel (Ring Gear) and Bevel Pinion—Ratio 5-625 to 1	1	2500 Diesel—Special Order only Other Models
A19	9003197	Bolt—Special } Crown Wheel (Ring Gear) to	8	
A20	P.55587	Lockwasher } Differential Box (Housing)	8	
A21	9192052	Bearing—Inner } Bevel	1	
A22	P.43523 (9192030)	Bearing—Outer } Pinion	1	
A23	P.116640	Distance Piece—Pinion Bearings	1	
	1202296	Distance Washer	1	Ratio 5-625 to 1 only
	P.101262 (9071084)	Shim—020"	A/R	
A24	P.56444 (9071083)	Shim—010" } Pinion Inner Bearing	A/R	
	P.79941 (9071082)	Shim—005"	A/R	
	P.79942 (9071081)	Shim—003"	A/R	
	P.79943 (9071066)	Shim—010" } Pinion Outer	A/R	
A25	P.19072 (9071065)	Shim—005" } Bearing	A/R	
	P.55304 (9071064)	Shim—003"	A/R	
A26	P.79835 (9071063)	Shield	1	
A27	9102107	Oil Seal—Bevel Pinion	1	
A28	1200697	DRIVER COUPLING (Companion Flange)	1	See Notes 1 and 2
	P.111775 (1229149)	Driver Coupling (Companion Flange)	1	See Notes 3 and 4
A29	P.75692	Oil Thrower—Coupling (Flange)	1	
		Bolt—Propeller Shaft to Driver Coupling (Companion Flange)		See Propeller Shaft

REAR AXLE

Plate Ref.	Part Number	DESCRIPTION	No. per Veh.	REMARKS
		DIFFERENTIAL UNIT—continued		
	9664202	Washer— $\frac{3}{8}$ " shakeproof	4	} See Note 1 and 2— Page 139
	9510050	Nut— $\frac{3}{8}$ " UNF. ...	4	
	9003069	Bolt— $\frac{1}{2}$ " UNF. \times $1\frac{1}{2}$ "	4	} See Notes } See Propellor 3 and 4 } Shaft Page 139
		Washer ...	4	
		Nut ...	4	
		Washer— $\frac{1}{2}$ " plain	1	
A30	P.55398	Nut— $\frac{1}{2}$ " UNF.—Nylor	1	} Coupling (Flange) to Bevel Pinion
A31	9034021		1	
A32	1202696 (1218182)	AXLE SHAFT c/w STUDS	2	1500 Series I and II
	1215672 (1218184)	Axle Shaft c/w Studs	2	2500 Series
A33	P.109941	Stud ...	10	} Road to Propellor Shaft
A34	P.109919	Nut— $\frac{1}{2}$ " UNF. ...	10	
A35	P.40006 (9188015)	Bearing } Axle ...	2	} 1500 Series I and II 2500 Series
	9188020	Bearing } Shaft ...	2	
A36	P.109911	Shield ...	2	} 1500 Series I and II
A37	316561 (1229537)	Lockwasher } Axle Shaft ...	2	
A38	P.109942 (9029079)	Locknut } Bearing ...	2	
A39	9102121	Oil Seal ...	2	
	1215657	Shield ...	2	} 2500 Series
	1215659	Lockwasher } Axle Shaft ...	2	
	9029068	Locknut } Bearing ...	2	
	9102143	Oil Seal ...	2	
A40	1203196	Carrier } Oil ...	2	} 1500 Series I and II 2500 Series
	1215658	Carrier } Seal ...	2	
A41	1201966	Oil Catcher ...	2	} 1500 Series I and II
A42	1201967 (1229701)	Joint (Gasket) ...	6	
	1229701	Joint (Gasket)—(.006" thick—Grey)	2	
	1229696	Joint (Gasket)—(.010" thick—Brown)	2	
	19505081	Bolt— $\frac{3}{8}$ " UNF. \times $1\frac{1}{2}$ "	8	
	1201870	Dowel Bolt ...	4	
	9660201	Washer— $\frac{3}{8}$ " spring	12	
	9664242	Washer— $\frac{1}{2}$ " shakeproof	4	
	9664202	Washer— $\frac{3}{8}$ " shakeproof	8	
	9510050	Nut— $\frac{3}{8}$ " UNF. ...	12	
	1201967 (1229701)	Joint (Gasket) ...	6	
	1229701	Joint (Gasket)—(.006" thick—Grey)	2	
	1229696	Joint (Gasket)—(.010" thick—Brown)	2	
	19105161	Bolt— $\frac{3}{8}$ " UNF. \times $1\frac{1}{2}$ "	8	
	1215660	Dowel Bolt ...	4	
	9660201	Washer— $\frac{3}{8}$ " spring	12	
	9664242	Washer— $\frac{1}{2}$ " shakeproof	4	
	9664202	Washer— $\frac{3}{8}$ " shakeproof	8	
	9510050	Nut— $\frac{3}{8}$ " UNF. ...	12	
		BRAKES		See Brakes and Controls

REAR AXLE

Plate Ref.	Part Number	DESCRIPTION	No. per Veh.	REMARKS
		<p>Note 1. 1200695 (5-125 : 1) Standard. 1500 Series I—All Models. 1500 Series II—Home Petrol and Diesel Models prior to Chassis No. 224296. 1500 Series II—Export Diesel Models prior to Chassis No. 1500-/217594—See Special Note "A".</p> <p>Note 2. 1200695 (5-625 : 1)—Special Order only. 1500 Series I—All Models. 1500 Series II—Home Petrol and Diesel Models prior to Chassis No. 224296. 1500 Series II—Export Diesel Models prior to Chassis No. 1500-/217594—See Special Note "A".</p> <p>Note 3. 1210147 (5-125 : 1). 1500 Series II—Export Petrol Models—Standard—on and after commencement of Series II. 1500 Series II—Export Diesel Models—Standard—on and after Chassis No. 1500-/217594. 2500 Series—All Petrol Models—Standard. 2500 Series—All Diesel Models—Special Order only—See Special Note "A".</p> <p>Note 4. 1210148 (5-625 : 1). 1500 Series II—All Export Petrol Models—Special Order only—Chassis No.—Commencement of Series II. 1500 Series II—All Export Diesel Models—Special Order only—on and after Chassis No. 1500-/217594. 2500 Series—All Petrol Models—Special Order only. 2500 Series—All Diesel Models, Standard—See Special Note "A".</p> <p>Special Note "A". The modification dealt with by Notes 1, 2, 3 and 4, cover the introduction of the New Type Driver Coupling P.111775, which is secured to the propeller shaft by ½" UNF. Bolts—Differential Units of the later type must have the coupling bolts fitted during the assembly of the Coupling.</p> <p>In conjunction with this coupling change, a new Propeller Shaft is introduced under Part No. 1215314. The modification was introduced on Export Diesel CKD Packs and all Export Petrol Models from the commencement of Series II.</p> <p>Introduction of this change on all Home Models, is from Chassis No. 224296, and in addition, the following were also modified to the latest condition:— Chassis Nos. 219845/6-219887/8-219891/2-220007/11-223677/8-223680/1-224122 onwards.</p>		

ROAD WHEELS

ROAD WHEELS

Plate Ref.	Part Number	DESCRIPTION	No. per Veh.	REMARKS
	1205422 (1219041)	ROAD WHEEL—5K = 15 Rim	4	{ 1500 Series and Associated British Foods Specification—Special Order only—See also Note 1
	1219041	Road Wheel—5K = 15 Rim	4	
		Tyre 6-00/6-40 = 15-6 Ply		{ Not supplied. 1500 Series I and II Van Models—Standard
		Tyre—6-50/6-70 = 15-6 Ply		{ Not supplied. 1500 Series I and II Passenger Van Models—Special Order only
		Tyre—6-70 = 15-6 Ply		{ Not supplied. 2500 Series, Associated British Foods Specification—Special Order only
	P.108625	Valve—Grommet Type	4	Not supplied
		Nave Plate (Wheel Cover)		
		Wheel Retaining Nut		
		Note 1. Spare Wheel is supplied with Production Vehicles to Special Order only.		See Rear Axle

FRONT SUSPENSION

FRONT SUSPENSION

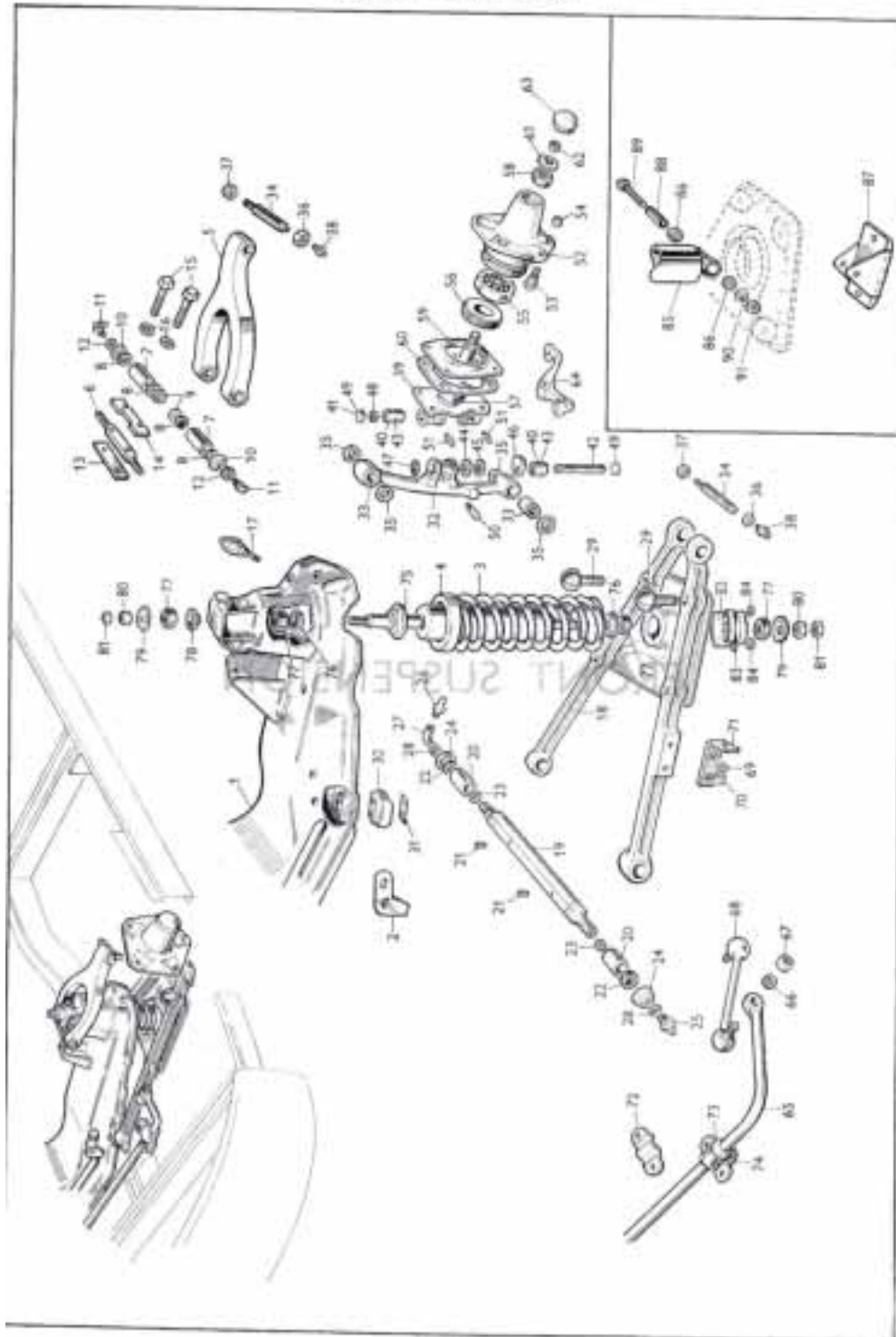


PLATE A

FRONT SUSPENSION

Plate Ref.	Part Number	DESCRIPTION	No. per Veh.	REMARKS
A1	1205100 (1214343)	FRONT SUSPENSION CROSSMEMBER	1	See Note 1 } Page 148
	1214343	Front Suspension Crossmember	1	See Note 2 } Page 148
	1216580	Front Suspension Crossmember	1	See Note 4 } Page 148
	9603218	Bolt— $\frac{1}{2}$ " UNF. \times 2 $\frac{1}{2}$ "	4	See Note 3 } Page 148
	9660322	Washer— $\frac{1}{2}$ " spring	4	
	9664322	Washer— $\frac{1}{2}$ " shakeproof	4	
	9067510	Washer— $\frac{1}{2}$ " plain	4	
	P.83613	Shim	A/R	See Note 3—Page 148
	1202352	Steering Stop—O.S. (R.H.)	1	See Note 5 } Page 148
A2	1202353	Steering Stop—N.S. (L.H.)	1	
	19506073	Screw— $\frac{1}{2}$ " UNF. \times 1"	4	
	9067041	Washer— $\frac{1}{2}$ " plain	4	
	9664242	Washer— $\frac{1}{2}$ " shakeproof	4	See Note 6 } Page 148
A3	1205283	Coil Spring (12-3" Free Length)	2	
	1205844 (1208614)	Coil Spring	2	
	1208614	Coil Spring	2	
A4	1205598	Packer— $\frac{1}{2}$ " Thick—Coil Spring	2	See Note 7 } Page 148
	P.101040	UPPER LINK c/w FULCRUM PIN—O.S. (R.H.)	1	See Note 5 }
A5	P.101041	Upper Link c/w Fulcrum Pin—N.S. (L.H.)	1	
	P.48375	Fulcrum Pin Kit } Upper	2	
A6		Fulcrum Pin } Link	2	
A7		Bush	4	} Not supplied separately— Use P.48375
A8	9122106	Seal	8	
A9	9071032	Collar	4	
A10	P.101051	Cap	4	
A11	9217028	Greaser	4	} Upper Fulcrum Pin
A12	9078019	Washer	4	
A13	P.110356	Attachment Plate	2	
A14	P.83613	Shim	A/R	
A15	19107243	Bolt— $\frac{5}{8}$ " UNF. \times 3"	4	See Note 3 } Page 148
	19107223	Bolt— $\frac{5}{8}$ " UNF. \times 2 $\frac{1}{2}$ "	4	
A16	9664282	Washer— $\frac{3}{4}$ " shakeproof	4	See Note 4 }
A17	P.103994	Rebound Rubber—Upper Link	2	
	9067256	Washer— $\frac{1}{2}$ " plain	2	
	9664242	Washer— $\frac{1}{2}$ " shakeproof	2	
	9510060	Nut— $\frac{1}{2}$ " UNF.	2	} Rebound Rubber Fixing
	5200324	LOWER LINK c/w FULCRUM PIN—O.S. (R.H.)	1	
	5200325	Lower Link c/w Fulcrum Pin—N.S. (L.H.)	1	
A18	5200346	Lower Link c/w Fulcrum Pin—O.S. (R.H.)	1	
	5200347	Lower Link c/w Fulcrum Pin—N.S. (L.H.)	1	} Home—See Note 8— Page 148
	1207162 (5200324)	Lower Link c/w Fulcrum Pin—O.S. (R.H.)	1	
	1207163 (5200325)	Lower Link c/w Fulcrum Pin—N.S. (L.H.)	1	} Home—See Note 9— Page 149
	5200324	Lower Link c/w Fulcrum Pin—O.S. (R.H.)	1	
	5200325	Lower Link c/w Fulcrum Pin—N.S. (L.H.)	1	} Export—See Note 11 Page 149
	1214051	Spring Pan	2	
	1205362	Spring Pan	2	} Export—See Note 8 Page 148
	5200242	Fulcrum Pin Kit } Lower	2	
		Fulcrum Pin } Link	2	} See Note 9 } Page 149 See Note 10 }
A19		Bush	4	
A20		Dowel	4	
A21	9146146	Seal	4	
A22	9122119	"O" Ring	4	} Note Supplied separately— Use 5200242
A23	9107046	Cap	4	
A24	P.101831	Greaser—Front	2	
A25	9217025	Greaser—Rear	2	
A26	9217025	Greaser—Rear	2	} Fulcrum Pin
A27	P.88622	Greaser Adaptor	2	
A28	9078019	Washer—fibre	4	

FRONT SUSPENSION

Plate Ref.	Part Number	DESCRIPTION	No. per Veh.	REMARKS
		LOWER LINK c/w FULCRUM PIN—continued		
	29706123	Stud—1" UNF. x 1 1/4"	4	
	9067037	Washer—1" plain	4	
	9664242	Washer—1" shakeproof	4	
	9510063	Nut—1" UNF.	4	
	P.106446	Bolt—Spring Pan to Shock Absorber Bracket	4	
A29	1205696	Bump Rubber Assembly—Lower Link	4	See Note 10 } Page 149 See Note 11 }
	9067037	Washer—1" plain	4	
	9664242	Washer—1" shakeproof	4	} See Note 11—Page 149
	9510063	Nut—1" UNF.	4	
	P.116003 (1205393)	Bump Rubber Assembly—Lower Link	4	
	9067037	Washer—1" plain	4	See Note 12 } —Page 149
	9664242	Washer—1" shakeproof	4	
	9510063	Nut—1" UNF.	4	
	1205393	Bump Rubber Assembly—Lower Link	4	
	9067037	Washer—1" plain	4	See Note 8— } Page 148
	9664242	Washer—1" shakeproof	4	
	9510063	Nut—1" UNF.	4	
A30	1202334	Clamp Plate Assembly	4	
	9003201	Bolt—1" UNF. x 2-13"	8	} Lower Fulcrum Pin to Crossmember...
A31	9090057	Lockplate	4	
	1203672	STUB CARRIER ASSEMBLY—O.S. (R.H.)	1	
A32	1203673	Stub Carrier Assembly—N.S. (L.H.)	1	
A33	P.83521	Bush	4	
A34	P.109818	Eye Bolt } Carrier	4	
A35	9122121	Seal	8	
A36	9601421	Locknut—1/2" Whit.	4	} Carrier
A37	9540090	Nut—5/8" UNF. slotted	4	
A38	9217025	Greaser	4	} Eyebolt
	1205106 (1224272)	STUB AXLE ASSEMBLY—O.S. (R.H.)	1	
A39	1205107 (1224273)	Stub Axle Assembly—N.S. (L.H.)	1	
	5200348 (1224272)	Stub Axle Assembly—O.S. (R.H.)	1	
	5200349 (1224273)	Stub Axle Assembly—N.S. (L.H.)	1	
A40		Bush	4	} Not supplied separately— Use 5200286 or 5200326
A41	9808280	Sealing Disc—Upper—28 mm.	2	
	5200286 (5200326)	SWIVEL (King) PIN KIT	2	} Also included in Kit 5200286 and 5200326
	5200326	Swivel (King) Pin Kit	2	
A42		Swivel (King) Pin	2	} See Note 13 } Page 149 See Note 14 }
A43		Bush	2	
A44	1203656	Sealing Washer	4	} Not supplied separately— Use 5200286 or 5200326
A45	1203654	Thrust Washer	2	
A46	1205051	Bearing Washer	2	} Swivel (King) Pin
A47	9122134	Sealing Ring	2	
A48	9122143	Ring—Pressure Relief Hole	2	
A49	9808280	Sealing Disc—28 mm.	4	
A50	P.101105 (1229323)	Cotter Bolt	2	} Swivel (King)
	9664162	Washer—1" shakeproof	2	
	9510040	Nut—1" UNF.	2	} Pin
A51	9217025	Greaser—Swivel (King) Pin	4	
A52	1202086	HUB c/w ROAD WHEEL BOLTS	2	
A53	P.106971	Bolt	10	} Road
A54	P.106919	Nut—1" UNF.	10	
A55	9192118	Inner Bearing	2	} Wheel
A56	9102136	Oil Seal	2	
A57	P.108006	Distance Piece—Hub Inner Bearing	2	} Hub
A58	9192060	Outer Bearing—Hub	2	
A59	P.83620	Oil Catcher—Hub	2	

FRONT SUSPENSION

Plate Ref.	Part Number	DESCRIPTION	No. per Veh.	REMARKS
A60	P.83617	Joint (Gasket) ...	2	
	19506083	Screw— $\frac{1}{2}$ " UNF. \times 1"	4	
	9664242	Washer— $\frac{1}{2}$ " shakeproof	8	
	9510063	Nut— $\frac{1}{2}$ " UNF.	4	
	19107213	Bolt— $\frac{1}{2}$ " UNF. \times 2 $\frac{1}{2}$ "	4	
	9664282	Washer— $\frac{1}{2}$ " shakeproof	8	
	9555073	Nut— $\frac{1}{2}$ " UNF. Oddie	4	
A61	P.116252	Lockwasher ...	2	
A62	9540100	Nut— $\frac{1}{2}$ " UNF. slotted	2	
A63	P.115138	Hub Cap ...	2	
	1202332	STEERING ARM—O.S. (R.H.)	1	
A64	1202333	Steering Arm—N.S. (L.H.)	1	
A65	1205245	STABILIZER BAR ...	1	1500 Series I and II
	1216599	Stabilizer Bar ...	1	2500 Series
A66	9660281	Washer— $\frac{1}{2}$ " spring	2	
A67	9510070	Nut— $\frac{1}{2}$ " UNF.	2	
	1203594	Link—O.S. (R.H.)	1	
A68	1203595	Link—N.S. (L.H.)	1	
A69	9660281	Washer— $\frac{1}{2}$ " spring	2	
A70	9510070	Nut— $\frac{1}{2}$ " UNF.	2	
A71	1205233	Bracket—Stabilizer Link	2	
	19106103	Bolt— $\frac{1}{2}$ " UNF. \times 1 $\frac{1}{2}$ "	4	1500 Series I and II
	9664242	Washer— $\frac{1}{2}$ " shakeproof	4	
	9510063	Nut— $\frac{1}{2}$ " UNF.	4	
	1205289	Bracket—Stabilizer Link	2	
	19106113	Bolt— $\frac{1}{2}$ " UNF. \times 1 $\frac{1}{2}$ "	4	2500 Series
	9660242	Washer— $\frac{1}{2}$ " spring	4	
	9510063	Nut— $\frac{1}{2}$ " UNF.	4	
A72	1203620	Bracket ...	2	
A73	P.116710	Support Rubber	2	1500 Series I and II
	1216600	Support Rubber	2	2500 Series
A74	1203619	Clip ...	2	
	19506071	Bolt— $\frac{1}{2}$ " UNC. \times $\frac{1}{2}$ "	4	
	9660241	Washer— $\frac{1}{2}$ " spring	4	
A75	1205056	SHOCK ABSORBER	2	
A76	K.26437	Washer—Inner	4	See Note 9—Page 149
A77	K.26436	Mounting Rubber—Inner and Outer	8	
A78	K.26439	Spigotted Washer—Centre	2	
A79	K.26438	Washer—Outer	4	
A80	9510060	Nut— $\frac{1}{2}$ " UNF.	4	
A81	9520060	Locknut— $\frac{1}{2}$ " UNF.	4	See Note 9—Page 149
A82	P.118844	Mounting Plate c/w Screws—Upper	2	
A83	P.118843	Mounting Plate c/w Washers—Lower	2	
A84	9551043	Nut— $\frac{1}{2}$ " UNF. Nylon	4	
A85	1205348 (5200428)	SHOCK ABSORBER	2	
	9082039	Washer ...	2	
	9082043	Mounting Washer	2	
	9123810	Mounting Rubber	4	See Note 10—Page 149
	9510060	Nut ...	2	
	9520060	Locknut ...	2	
A86	9123800	Mounting Rubber—Bottom Fixing	4	
	5200428	Shock Absorber	2	
	9082039	Washer ...	2	
	9082043	Mounting Washer	2	
	9123810	Mounting Rubber	4	See Note 4—Page 148
	9510060	Nut ...	2	
	9520060	Locknut ...	2	
	9123800	Mounting Rubber—Bottom Fixing	4	

FRONT SUSPENSION

Plate Ref.	Part Number	DESCRIPTION	No. per Veh.	REMARKS
		SHOCK ABSORBER—continued		
A87	1205365	Mounting Bracket Assembly	2	} See Note 10—Page 149
A88	9087157	Distance Tube	2	
A89	19106161	Bob—1" UNF. x 2"	2	
A90	9660241	Washer—1" spring	2	
A91	9510060	Nut—1" UNF.	2	
	9664242	Washer—1" shakeproof	4	
	9510060	Nut—1" UNF.	4	
		Shock Absorber to Mounting Bracket to Spring Pan		
		Note 1. Used prior to Chassis No. 1500/-011089, CKD Chassis No. 1500/-71657, Part No. 1205100 Front Suspension Crossmember is no longer available. Demands will be met by the supply of 1214343 Front Suspension Crossmember. For Vehicles fitted with 1205283 or 1205844 Coil Springs (Notes 5 and 6) it will also be necessary to order 1208614 Coil Spring (Note 7).		
		Note 2. Used on and after Chassis No. 1500/-011089, CKD Chassis No. 1500/-71657, up to, but not including Chassis Nos. listed in Note 4.		
		Note 3. Used prior to introduction of 1500 Series IIA and 2500 Series—See also Note in Preliminary Section.		
		Note 4. Used on and after introduction of 1500 Series IIA and 2500 Series—See also Note in Preliminary Section.		
		Note 5. Used prior to Chassis Nos. listed in Note 6. (Early Production vehicles were fitted with Coil Spring of 11'6" free length and Packer 1'22" thick.) Replacement of either Coil Spring or Packer must be made with both the later details, i.e., 1205283 Coil Springs and 1205598 Packer.		
		Note 6. Used on and after Chassis Nos.—Home, 1500/-001755-001760-001800-001802-001804-001811-001816-001820-001821-001833-001845-001849-001850-001856-001858-001862-001864. Export 1500/-002094. Up to but not including Chassis Nos. listed in Note 7. Part No. 1205844 Coil Spring is no longer available. Demands will be met by the supply of 1208614 Coil Spring (Note 7).		
		Note 7. Used on and after Chassis Nos. 1500/-009250/009256-009260/009331-009336/009372-009376/009379-009386/009407-009415/009429-009438.		
		Note 8. Used on and after Chassis Nos.— Home : 1500/-004123; Export : 1500/-002094.		

FRONT SUSPENSION

Plate Ref.	Part Number	DESCRIPTION	No. per Veh.	REMARKS
		<p>Note 9. Used prior to Chassis No. (Home) 1500/-004123.</p> <p>Note 10. Used on and after Chassis Nos.— Home : 1500/-004123; Export : 1500/-000000. Certain early Export Vehicles were fitted with Home Type Lower Link Assemblies and Shock Absorbers. Identification may be established by checking the Lower Shock Absorber Ficing as follows:— The Home "Stem" Type is as illustrated in "Body" of drawing preceding this Section. The Export "Eye" Type is secured to the Spring Pan by a Mounting Bracket and Distance Tube as illustrated in "inset" of drawing preceding this Section. Check Type before ordering.</p> <p>Note 11. Used prior to Chassis Nos:— Home : As listed in Note 12; Export : 1500/-002094, See Note 10.</p> <p>Note 12. Used on and after Chassis Nos.— Home: 1500/-001755-001760-001800-001802-001804-001811-001816-001820/001821-001833-001845-001849/001850-001856-001858-001862-001864 and up to, but not including Chassis No. 1500/-004123. Export : 1500/-002094.</p>		

REAR SUSPENSION

REAR SUSPENSION

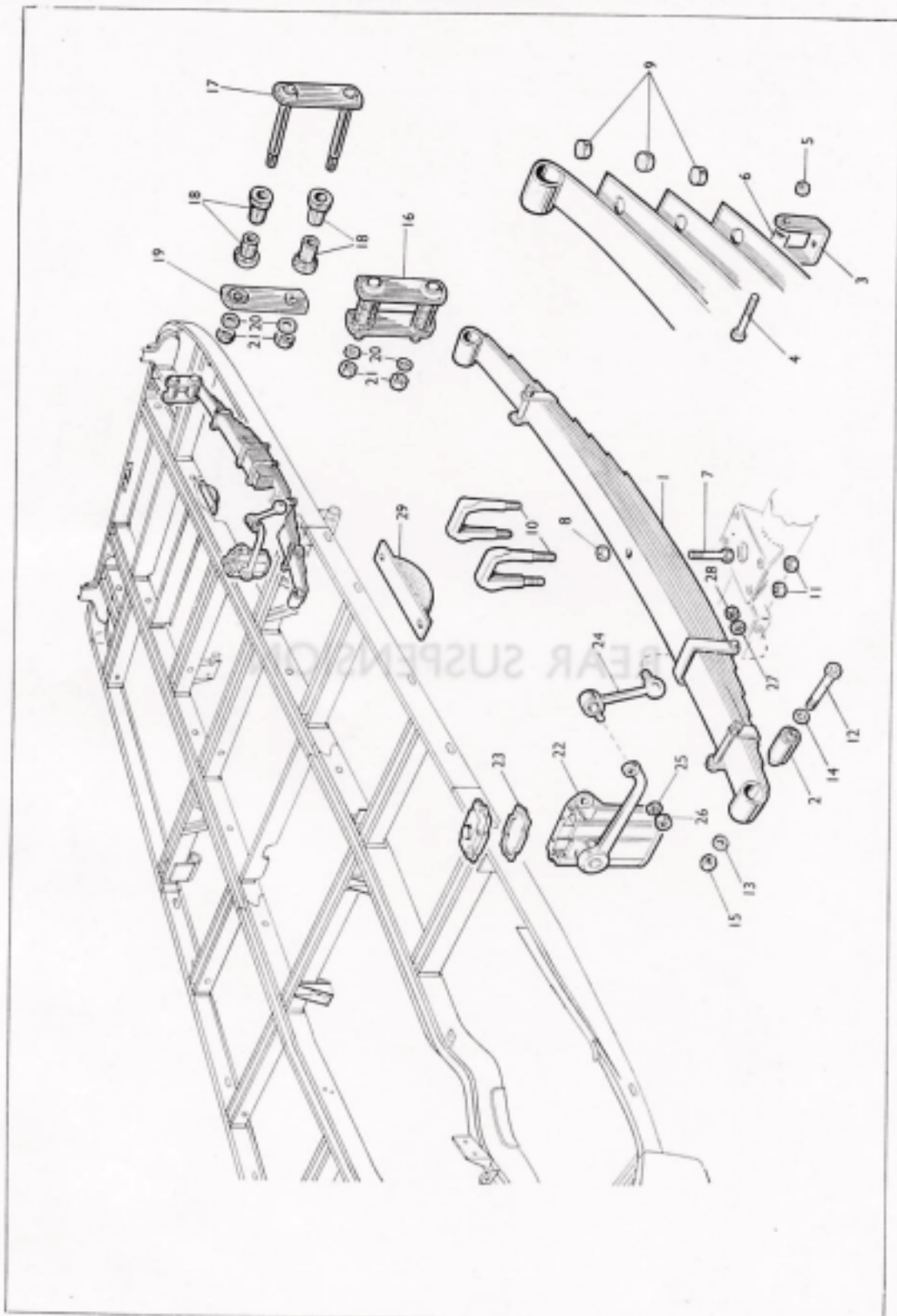


PLATE A

REAR SUSPENSION

Plate Ref.	Part Number	DESCRIPTION	No. per Veh.	REMARKS	
A1-A9	1205246	REAR SPRING—BUSHED	2	} 1500 Series I and II	
	5037938	Leaf No. 1 (Top)—Bushed	2		
A2	9199113	Bush—Front End	2		
	5037939	Leaf No. 2	2		
	5037940	Leaf No. 3	2		
	5037941	Leaf No. 4	2		
	5037942	Leaf No. 5—With Clips	2		
	5037943	Leaf No. 6	2		
	5037944	Leaf No. 7	2		
	5037945	Leaf No. 8—With Clips	2		
	5037946	Leaf No. 9	2		
A3	5037947	Clip for Leaf No. 5	4		
	5037948	Clip for Leaf No. 8	2		
A4	5037560	Clip Bolt	6		
A5	9510040	Clip Bolt Nut	6		
A6	K.16539	Distance Tube	6		
A7	5037949	Dowel Bolt	2		
A8	9510060	Dowel Bolt Nut	2		
A9	P.84770	Thrust Button	16		
	1216554	REAR SPRING—BUSHED—	2		} 2500 Series—Used prior to Chassis No. 231180—CKD 277129
	5040347	Leaf No. 1 (Top)—Bushed	2		
	9199113	Bush—Front End	2		
	5040348	Leaf No. 2	2		
	5040349	Leaf No. 3	2		
	5040350	Leaf No. 4	2		
	5040351	Leaf No. 5	2		
	5040352	Leaf No. 6	2		
	5040353	Leaf No. 7	2		
	5040354	Leaf No. 8	2		
	5040355	Leaf No. 9	2		
	5040356	Clip for Leaf No. 5	4		
	5040357	Clip for Leaf No. 8	2		
	5039164	Clip Bolt c/w Nut	6		
	9510040	Clip Bolt Nut	6		
	K.16539	Distance Tube	4		
	5040358	Dowel Bolt c/w Nut	2		
	9510060	Dowel Bolt Nut	2		
	P.84770	Thrust Button	16		

REAR SUSPENSION

Plate Ref.	Part Number	DESCRIPTION	No. per Veh.	REMARKS
		REAR SPRING—continued		
	1219067	Rear Spring—Bushed	2	2500 Series—Used from Chassis No. 231180—CKD 277129. And Associated British Foods—Special Order only
	5042360	Leaf No. 1 (Top)—Bushed	2	
	9100113	Bush—Front End	2	
	5042361	Leaf No. 2	2	
	5042362	Leaf No. 3	2	
	5042363	Leaf No. 4	2	
	5042364	Leaf No. 5—With Clips	2	
	5042365	Leaf No. 6	2	
	5042366	Leaf No. 7	2	
	5042367	Leaf No. 8—With Clips	2	
	5042368	Leaf No. 9	2	
	5042369	Clip for Leaf No. 5	4	
	5042370	Clip for Leaf No. 8	2	
	5042371	Clip for Bolt c/w Nut	6	
	9510040	Clip—Bolt Nut	6	
	5042372	Distance Tube	4	
	5042374	Dowel Bolt c/w Nut	2	
	9510060	Dowel Bolt Nut	2	
	P.84770	Thrust Button	16	
A10	1203164	"U" Bolt—Spring to Axle Casing	4	Early Models—Not supplied
A11	9555073	"U" Bolt Nut	8	
A12	19109281	Bolt	2	
A13	9664382	Washer— $\frac{1}{8}$ " shakeproof	4	
A14	9067065	Washer— $\frac{1}{8}$ " plain	2	
A15	9510090	Nut— $\frac{1}{8}$ " UNF.	2	
A16		SHACKLE ASSEMBLY		
A17	1207320	Shackle c/w Bolts	2	
A18	1207430	Bush—Rubber	8	
A19	1207432	Shackle Plate	2	
A20	9664322	Washer— $\frac{1}{4}$ " shakeproof	4	
A21	9510080	Nut— $\frac{1}{4}$ " UNF.	4	
A22-A26	1203158	SHOCK ABSORBER c/w LINK—O.S. (R.H.)	1	Early Models Late Models
	1203159	Shock Absorber c/w Link—N.S. (L.H.)	1	
A23	K.23362	Lid Gasket	2	
A24	1203162	Link	2	
A25	9660281	Washer— $\frac{1}{8}$ " spring	2	
A26	9510070	Nut— $\frac{1}{8}$ " UNF.	2	
	19107121	Bolt— $\frac{1}{8}$ " UNF. $\times 1\frac{1}{2}$ "	4	
	9067265	Washer— $\frac{1}{8}$ " plain	8	
	9571073	Nut— $\frac{1}{8}$ " UNF. Nyloc	4	
A27	9664322	Washer— $\frac{1}{4}$ " shakeproof	2	
	9024037	Nut— $\frac{1}{4}$ " UNF. square	2	
A28	9510080	Nut— $\frac{1}{4}$ " UNF.	2	
A29	P.108414	BUFFER	2	
	1950061	Screw— $\frac{1}{4}$ " UNF.	4	
	9664242	Washer— $\frac{1}{4}$ " shakeproof	4	
	9068016	Washer— $\frac{1}{4}$ " plain	4	

STEERING AND CONTROLS

STEERING AND CONTROLS

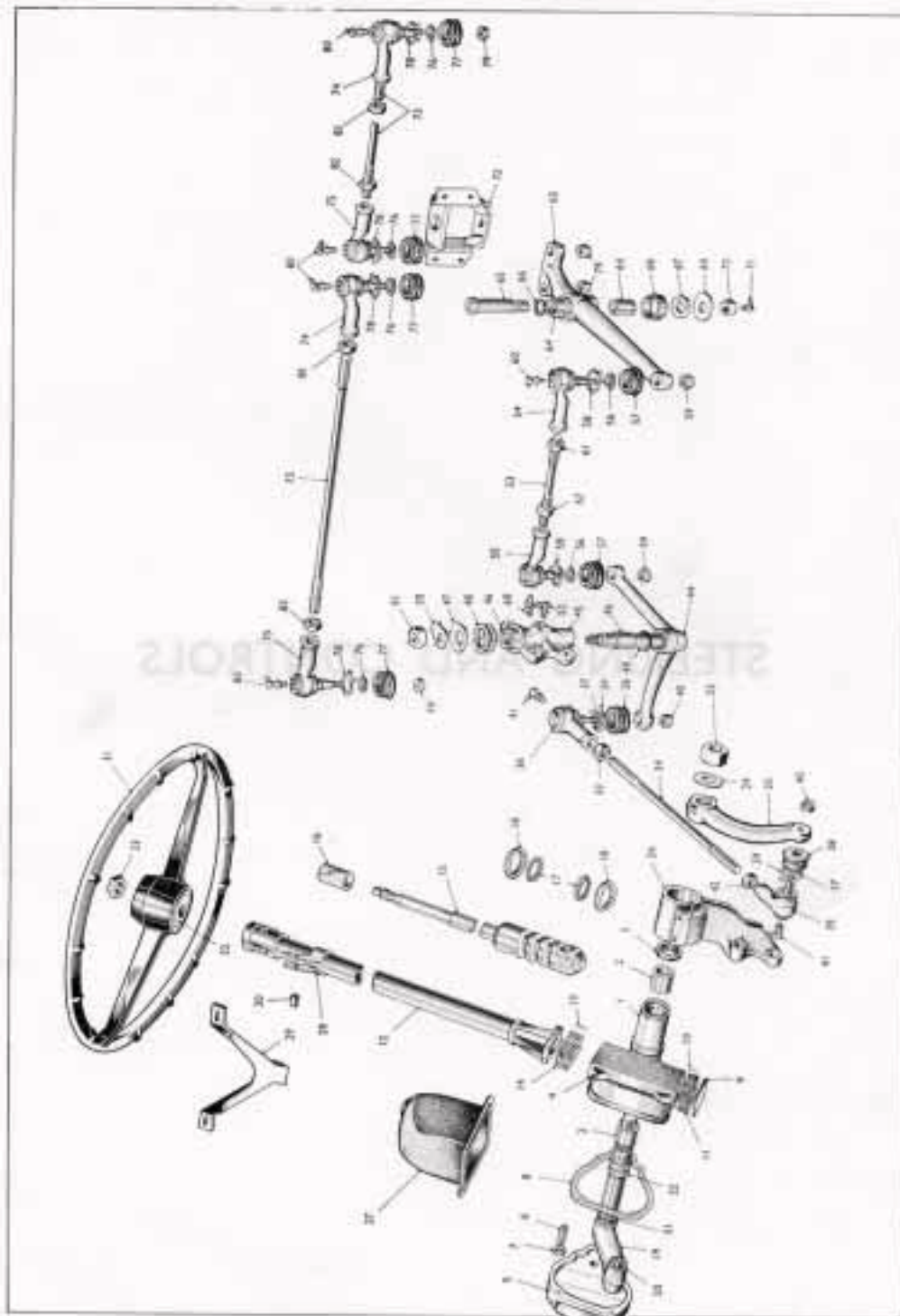


PLATE A

STEERING AND CONTROLS

Plate Ref.	Part Number	DESCRIPTION	No. per Veh.	REMARKS
	1202396	STEERING GEAR ASSEMBLY—R.H.D.	1	
	1202397	Steering Gear Assembly—L.H.D.	1	
A1-A4	5037634	Steering Box Assembly—R.H.D.	1	
	5037635	Steering Box Assembly—L.H.D.	1	
A2	P.23515	Bush	2	
A3	9102053	Oil Seal	1	
A4	9804030	Oil Plug—Square Head	1	Early Models Late Models
	L.179	Oil Plug—Hexagon Head	1	
	L.180	Oil Plug—Washer	1	
A5	5037642	SIDE COVER	1	
A6	5037653	Thrust Screw	1	
A7	9028016	Locknut	1	
A8	5037643	Joint	1	
	19505091	Bolt— $\frac{1}{2}$ " UNF. \times $\frac{1}{4}$ "	4	
	9660201	Washer— $\frac{1}{2}$ " spring	4	
A9	5037644	END COVER	1	
	K.21391	End Cover Shim—0024"	A/R	
A10	K.21392	End Cover Shim—005"	A/R	
	K.21393	End Cover Shim—010"	A/R	
A11	K.21394 (5041199)	End Cover Joint	1	
	19505061	Bolt— $\frac{1}{2}$ " UNF. \times $\frac{1}{2}$ " } End	4	
	9660201	Washer— $\frac{1}{2}$ " spring } Cover	4	
A12	5037640	OUTER TUBE AND SOCKET ASSEMBLY	1	
	K.21391	Outer Tube Shim—0024"	A/R	
A13	K.21392	Outer Tube Shim—005"	A/R	
	K.21393	Outer Tube Shim—010"	A/R	
A14	K.21394 (5041199)	Outer Tube Joint	1	
	19505071	Bolt— $\frac{1}{2}$ " UNF. \times $\frac{1}{2}$ " } Outer	4	
	9660201	Washer— $\frac{1}{2}$ " spring } Tube	4	
	9119527	Oil Filler Plug Rubber	1	
A15	5037636	INNER SHAFT AND CAM ASSEMBLY—R.H.D.	1	
	5037637	Inner Shaft and Cam Assembly—L.H.D.	1	
A16	5037654	Felt Bush	1	
A17	5037645	Ball Cage Assembly	2	
A18	5037646	Ball Cup	2	
A19	5037638	ROCKER SHAFT ASSEMBLY	1	
A20	5037639	Cam Roller Assembly	1	
A21	5037657	Thrust Washer } Rocker	1	
A22	5037658	Bellville Washer } Shaft	6	
A23	9510140	Nut— $\frac{1}{2}$ " UNF.—Drop Arm Securing	1	
A24	9067329	Tab Washer—Drop Arm	1	
A25	1202398	DROP ARM—R.H.D.	1	
	1202399	Drop Arm—L.H.D.	1	
A26	1202400	STEERING BOX TRUNNION—R.H.D.	1	
	1202401	Steering Box Trunion—L.H.D.	1	
	19106131	Bolt— $\frac{1}{2}$ " UNF. \times $\frac{1}{4}$ " } Trunion to	2	
	9664242	Washer— $\frac{1}{2}$ " shakeproof } Steering Box	2	
	19106301	Bolt— $\frac{1}{2}$ " UNF. \times $\frac{3}{16}$ "	1	
	19106241	Bolt— $\frac{1}{2}$ " UNF. \times $\frac{3}{8}$ " } Trunion to Frame	1	
	19106261	Bolt— $\frac{1}{2}$ " UNF. \times $\frac{3}{16}$ "	2	
	9067041	Washer— $\frac{1}{2}$ " plain	4	
	9664242	Washer— $\frac{1}{2}$ " shakeproof } Trunion to Frame	7	
	9510060	Nut— $\frac{1}{2}$ " UNF.	3	
A27	2203744	Grommet—R.H.D. } Steering	1	
	2203745	Grommet—L.H.D. } Column—Lower	1	
A28	1202701	Support Clip	1	
	P.53486	Packing—Support Clip } Steering	2	Used prior to Chassis No. 227757—CKD 275905— See also Note 1—Page 139
A29	1203004	Support Bracket ... } Column—Upper	1	
A30	P.109206	Distance Piece	1	

STEERING AND CONTROLS

Plate Ref.	Part Number	DESCRIPTION	No. per Veh.	REMARKS
	19104121	Bolt—1" UNF. x 1 1/4"	1	Used prior to Chassis No. 227757—CKD 275905— See also Note 1—Page 159
	9664162	Washer—1" shakeproof	1	
	9510040	Nut—1" UNF.	1	
	1219048	Support Clip	1	
	1203004	Support Bracket	1	
	1219049	Distance Piece	1	
	19104141	Bolt—1" UNF. x 1 1/4"	2	
	9664162	Washer—1" shakeproof	2	
	9510041	Nut—1" UNF.	2	
	19505051	Bolt—3/8" UNF. x 1 1/2"	2	
	9067023	Washer—3/8" plain	2	Used on and after Chassis No. 227757—CKD 275905 See also Note 1—Page 159
	9664202	Washer—3/8" shakeproof	2	
A31	1202918	STEERING WHEEL	1	
A32	P.45498	Contact Plate	1	
A33	P.101989 (9029179)	Nut—Steering Wheel to Steering Unit	1	
		Horn Push	1	*See Electrical Section
		Flasher Controls	1	
	1205980	SIDE STEERING ROD ASSEMBLY	1	
A34		Intermediate	1	Not supplied
A35	5037566	Socket Assembly—R.H. Thread	1	
A36	5037819	Socket Assembly—L.H. Thread	1	Used prior to Chassis No. 1500-/007497;
A37	5037568	Washer	2	CKD Chassis No. 1500-/71214
A38	5037579	Dust Cover	2	
A39	5037580	Clip	2	
A40	5037820	Nut—3/8" UNF. slotted	2	Examine thread of Track
A41	9217015	Greaser	2	Rod Sockets before ordering
A42	9520091	Locknut—R.H. Thread	1	
A43	9029152	Locknut—L.H. Thread	1	
	1207737	SIDE STEERING ROD ASSEMBLY	1	
		Intermediate	1	Not supplied
	5038243	Socket Assembly—R.H. Thread	1	
	5038245	Socket Assembly—L.H. Thread	1	Used on and after Chassis No. 1500-/007497—CKD Chassis No. 1500-/71214;
	5037568	Washer	2	Examine thread of Track
	5038247	Dust Cover	2	Rod Sockets before ordering
	5037604	Clip	2	
	5037820	Nut—3/8" UNF. slotted	2	
	9520091	Locknut—R.H. Thread	1	
	9029152	Locknut—L.H. Thread	1	
A44	1202406	RELAY LEVER ASSEMBLY—INTERMEDIATE—R.H.D.	1	
	1202407	Relay Lever Assembly—Intermediate—L.H.D.	1	
A45-A46	1202404	Support Bracket	1	
A46	P.108186 (1218202)	Bush	2	
A47	P.89716	Thrust Washer	1	
A48	P.108742 (9086030)	Spring	1	
A49	9107055	Sealing Ring	1	Relay to Bracket
A50	P.89717	Tab Washer	1	
A51	9510090	Nut—3/8" UNF.	1	
A52	9217014	Greaser	1	
	9078008	Washer—3/8"	1	
	9003069	Bolt—1" UNF. x 1 1/4"	2	
	19106301	Bolt—1" UNF. x 3/4"	2	
	9664242	Washer—1" shakeproof	6	Support Bracket to Frame
	9067041	Washer—1" plain	2	
	9510060	Nut—1" UNF.	2	

STEERING AND CONTROLS

Plate Ref.	Part Number	DESCRIPTION	No. per Veh.	REMARKS
	120379 (120773)	CROSS TUBE ASSEMBLY—INTERMEDIATE	1	Not supplied Used prior to Chassis No. 1500/-007497 CKD Chassis No. 1500/-71214; Examine thread of Track Rod Sockets before ordering Not supplied Used on and after Chassis No. 1500/-007497—CKD Chassis No. 1500/-71214; Examine thread of Track Rod Sockets before ordering Not supplied Used prior to Chassis No. 1500/-007497 CKD Chassis No. 1500/-71214; Examine thread of Track Rod Sockets before ordering Not supplied Used on and after Chassis No. 1500/-00794—CKD Chassis No. 1500/-71214; Examine thread of Track Rod Sockets before ordering See Front Suspension
A53		Intermediate	1	
A54	5037566	Socket Assembly—R.H. Thread	1	
A55	5037819	Socket Assembly—L.H. Thread	1	
A56	5037568	Washer	2	
A57	5037579	Dust Cover	2	
A58	5037580	Clip	2	
A59	5037820	Nut— $\frac{5}{8}$ " UNF, slotted	2	
A60	9217015	Greaser	2	
A61	9520091	Locknut—R.H. Thread	1	
A62	9029152	Locknut—L.H. Thread	1	
	1207738	CROSS TUBE ASSEMBLY—INTERMEDIATE	1	
		Intermediate	1	
	5038243	Socket Assembly—R.H. Thread	1	
	5038245	Socket Assembly—L.H. Thread	1	
	5037568	Washer	2	
	5038247	Dust Cover	2	
	5037604	Clip	2	
	5037820	Nut— $\frac{5}{8}$ " UNF, slotted	2	
	9520091	Locknut—R.H. Thread	1	
	9029152	Locknut—L.H. Thread	1	
A63-A64	1202339	RELAY LEVER ASSEMBLY—CROSSMEMBER	1	
A64	1202343	Bush	2	
A65	1202350	Fulcrum Pin—Relay Lever	1	
A66	9122203	Seal—Fulcrum Pin	1	
A67	1202351	Thrust Washer	1	
A68	9122206	Seal—Thrust Washer	1	
A69	9096023	Lockwasher } Fulcrum Pin	1	
A70	9520103	Nut— $\frac{1}{2}$ " UNF, } to Bracket	1	
A71	9217014	Greaser—Fulcrum Pin	1	
A72	1205263	Relay Lever Bracket Assembly	1	
	19506093	Screw— $\frac{1}{2}$ " UNF. \times $1\frac{1}{2}$ "	4	
	9664242	Washer— $\frac{1}{2}$ " shakeproof	4	
	9067036	Washer— $\frac{1}{2}$ " plain	4	
	1202775 (1207736)	TRACK ROD ASSEMBLY	2	
A73		Intermediate	2	
A74	5037566	Socket Assembly—R.H. Thread	2	
A75	5037567	Socket Assembly—L.H. Thread	2	
A76	5037568	Washer	4	
A77	5037579	Dust Cover	4	
A78	5037580	Clip	4	
A79	5037820	Nut— $\frac{5}{8}$ " UNF, slotted	4	
A80	9217015	Greaser	4	
A81	9520091	Locknut—R.H. Thread	2	
A82	9029152	Locknut—L.H. Thread	2	
	1207736	TRACK ROD ASSEMBLY	2	
		Intermediate	2	
	5038243	Socket Assembly—R.H. Thread	2	
	5038245	Socket Assembly—L.H. Thread	2	
	5037568	Washer	4	
	5038247	Dust Cover	4	
	5037604	Clip	4	
	5037820	Nut— $\frac{5}{8}$ " UNF, slotted	4	
	9520091	Locknut—R.H. Thread	2	
	9029152	Locknut—L.H. Thread	2	
		Steering Stop	1	
Note 1. Support Clip 1202701 is no longer available. Customers must now order and fit latest condition.				

BRAKES AND CONTROLS

BRAKES AND CONTROLS

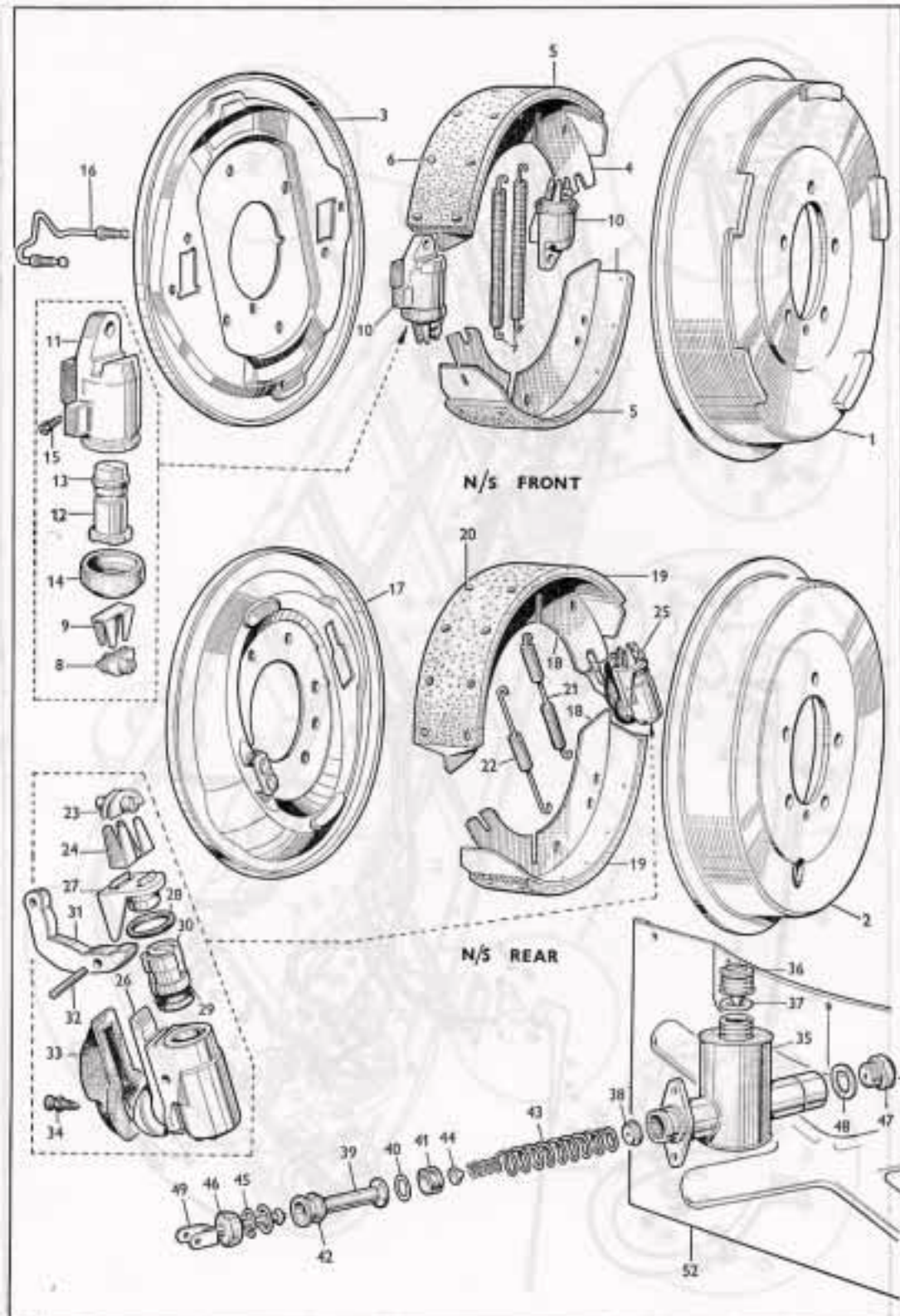


PLATE A

BRAKES AND CONTROLS

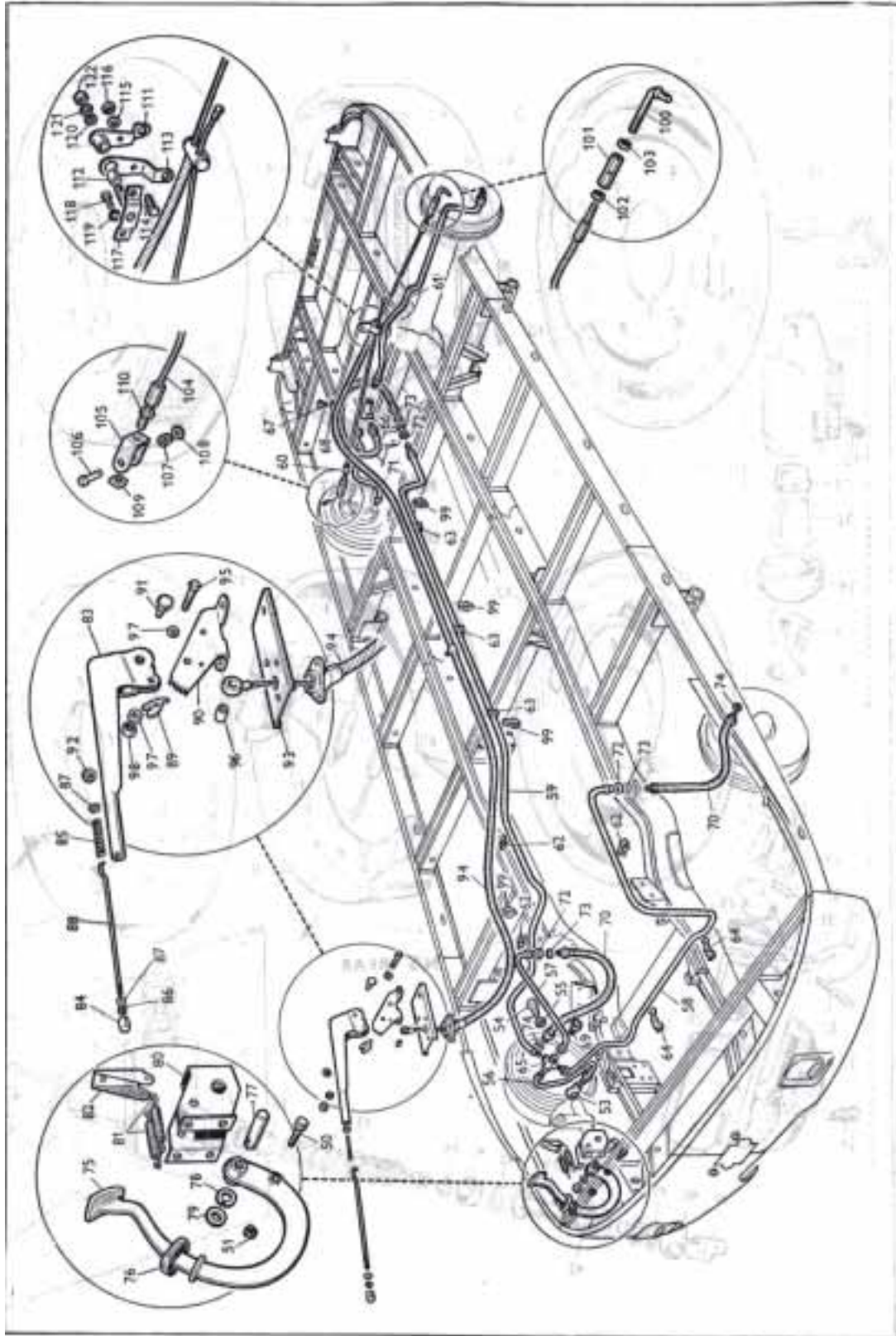


PLATE B

BRAKES AND CONTROLS

Plate Ref.	Part Number	DESCRIPTION	No. per Veh.	REMARKS
A1	P.109958	BRAKE DRUM—FRONT	2	
A2	1202302	Brake Drum—Rear	2	1500 Series I and II
	P.109958	Brake Drum—Rear	2	2500 Series
	39104080	Screw— $\frac{1}{2}$ " UNF. \times $\frac{1}{2}$ " ck.—Brake Drum Fixing	4	
		BRAKE UNIT—O.S. (R.H.) } Front		} Not supplied; order components as required
		Brake Unit—N.S. (L.H.)	2	
	1202330	Backing Plate—O.S. (R.H.)	1	
A3	1202331	Backing Plate	1	
A4	K.29884	BRAKE SHOE c/w LINING	2 prs.	} Supplied in pairs (2) only; See also Note 1—Page 169
A5	5040205	Lining (Set of 4) } Brake	1	
A6	K.19165	Rivet ... } Shoe	48	
A7	K.19708	Pull-Off Spring	4	
A8	K.19975	Micram Adjuster	4	
A9	K.19974	Mask—Adjuster	4	
	K.25534	WHEEL CYLINDER—O.S. (R.H.) } Front	2	} See Note 1—Page 169
A10	K.25535	Wheel Cylinder—N.S. (L.H.)	2	
A11		Body	2	} Not supplied
A12	K.25536	Piston	4	
A13	K.25537	*Taper Seal	4	
A14	K.26193	*Boot	4	
A15	K.23631	Bleeder Screw	2	
	19505051	Screw— $\frac{3}{8}$ " UNF. \times $\frac{1}{2}$ "	4	
	9660201	Washer— $\frac{3}{8}$ " spring	4	
	K.23978	Screw— $\frac{1}{2}$ " UNF. \times 40°	4	
	9660161	Washer— $\frac{1}{2}$ " spring	4	
	5038200	WHEEL CYLINDER REPAIR KIT—Front	4	} Includes Items Marked *
	9163235	Bridge Pipe—O.S. (R.H.)	1	
A16	9163236	Bridge Pipe—N.S. (L.H.)	1	
		BRAKE UNIT—O.S. (R.H.) } Rear		} Not supplied; order components as required
		Brake Unit—N.S. (L.H.)	2	
	1202298	Backing Plate—O.S. (R.H.)	1	
A17	1202299	Backing Plate—N.S. (L.H.)	1	
	1219012	Shield—Backing Plate—Rear Brakes	4	} C1500 Series I-II—Special Order only See Note 4—Page 169
	19505061	Screw— $\frac{3}{8}$ " UNF. \times $\frac{1}{2}$ " } Shield fixing to	4	
	9552053	Nut— $\frac{3}{8}$ " UNF. Nyloc } Backing Plate	4	
A18	K.29886	BRAKE SHOE c/w LINING	2 prs.	} Supplied in pairs (2) only; See also Note 1—Page 169
A19	5039042	Lining (Set of 4) } Brake	1	
A20	K.23988	Rivet ... } Shoe	48	
A21	K.26447	Pull-Off Spring—Wheel Cylinder Side	2	} 1500 Series I and II
A22	K.25550	Pull-Off Spring—Abutment Side	2	
A23	K.25551	Micram Adjuster	2	
A24	K.19974	Mask—Micram Adjuster	2	
A25	K.25559	WHEEL CYLINDER—REAR	2	} See Note 1—Page 05
A26		Body	2	
A27	K.25540	Piston and Dust Cover	2	} Not supplied
A28	K.25541	*Seal—Piston	2	
A29	K.25542	*Taper Seal	2	
A30	5031002	Piston—Hydraulic	2	
A31	K.25545	Handbrake Lever	2	
A32	5030236	Pivot Pin—Handbrake Lever	2	
A33	K.25552	*Boot—Wheel Cylinder	2	
A34	K.23631	Bleeder Screw	2	
	5037483	WHEEL CYLINDER REPAIR KIT—Rear	4	} Includes Items Marked *

BRAKES AND CONTROLS

Plate Ref.	Part Number	DESCRIPTION	No. per Veh.	REMARKS
		BRAKE UNIT—O.S. (R.H.) } Rear		} Not supplied; order components as required
		Brake Unit—N.S. (L.H.)		
	5040402	Backing Plate—O.S. (R.H.)	1	
	5040403	Backing Plate—N.S. (L.H.)	1	
	1219045	Shield—Backing Plate	2	} Special Order only— See Note 4—Page 169
	19505061	Screw— $\frac{1}{8}$ " UNF. $\times \frac{1}{2}$ " } Shield Fixing to	2	
	9552053	Nut— $\frac{1}{8}$ " UNF.—Nylor } Backing Plate	2	
	K.29884	BRAKE SHOE c/w LINING	2 prs.	See Notes 1 and 6—Page 169
	5040205	Lining (Set of 4) } Brake	1	
	K.19165	Rivet ... } Shoe	48	
	K.19708	Pull-Off Spring	2	
	K.19709	Steady Spring	4	} 2500 Series
	K.21131	Tension Spring	2	
	K.25551	Micram Adjuster	2	
	K.19974	Mask—Micram Adjuster	2	
	5040414	WHEEL CYLINDER—REAR	4	See Note 1—Page 169 Not supplied
		Body and Abutment Strip		
	K.25540	Piston and Dust Cover	2	
	K.25541	*Seal	2	
	K.25542	*Taper Seal	2	
	5031002	Piston—Hydraulic	2	
	5040406	Handbrake Lever	2	
	5030236	Pivot Pin—Handbrake Lever	2	
	K.25552	*Boot—Wheel Cylinder	2	
	K.23631	Bleeder Screw	2	
	9660201	Washer— $\frac{1}{8}$ " spring	4	
	9600051	Nut— $\frac{1}{8}$ " B.S.P.	4	
	5037483	WHEEL CYLINDER REPAIR KIT	2	Includes Items Marked * See Note 1—Page 169 Not supplied
A35-A49	P.115152	MASTER CYLINDER—LESS FITTINGS	1	
		Cylinder and Tank		
A36	K.25514 (5042059)	Filler Cap	1	
A37	9079097	*Filler Cap Washer	1	
A38	5037468	*Valve Assembly	1	
A39	5037533	Piston	1	
A40	K.25518	*Piston Washer	1	
A41	K.26242	*Main Cup	1	
A42	K.25520	*Secondary Cup	1	} 1500 Series I and II
A43	K.28904 (5039215)	Return Spring	1	
A44	5030173	Return Spring Retainer	1	
A45	K.29578	*Circlip	1	
A46	K.25524	*Boot	1	
A47	K.29496	End Plug	1	
A48	K.25525	*Gasket	1	
A49	K.29579	Push Rod	1	
	5038191	MASTER CYLINDER REPAIR KIT	1	Includes Items Marked * See Note 1—Page 169 Not supplied
	1216685	MASTER CYLINDER—LESS FITTINGS	1	
		Cylinder and Tank		
	K.25514 (5042059)	Filler Cap	1	
	9079097	Filler Cap Seal	1	
	5039216	*Valve Assembly	1	
	5040409	Piston	1	
	5039213	*Piston Washer	1	
	5039214	*Main Cup	1	} 2500 Series
	5039211	*Secondary Cup	1	
	5039215	Return Spring	1	
	5030173	Return Spring Retainer	1	
	K.29578	Circlip	1	
	K.25524	*Boot	1	
	K.29579	Push Rod	1	
	5039217	MASTER CYLINDER REPAIR KIT	1	Includes Items Marked *

BRAKES AND CONTROLS

Plate Ref.	Part Number	DESCRIPTION	No. per Veh.	REMARKS
		BRAKE SERVO KIT		{ See Special Accessories and Note 1—Page 169
B50	1202522	Jaw Pin	1	} Used prior to Chassis No. 233414—CKD 277801 } Used on and after Chassis No. 233414—CKD 277801
B51	1202521	Nut	1	
	9144022	Clevis Pin } Master Cylinder	1	
	9067022	Washer	1	
	19105101	Screw— $\frac{1}{8}$ " UNF. \times $1\frac{1}{2}$ "	2	
	9660201	Washer— $\frac{1}{8}$ " spring	2	
	9510050	Nut— $\frac{1}{8}$ " UNF.	2	
B52	1203695	Protection Plate—Master Cylinder	1	
	9733089	Tapping Screw—No. 8 \times $\frac{1}{2}$ "	5	
B53	9159231	Banjo Connection	1	
B54	9159532	Banjo Bolt	1	
B55	9077068	Gasket—Large	1	
	9077025	Gasket—Small	1	
B56	9163232	PIPE (Line) ASSEMBLY—Master Cylinder to 4-Way Piece—R.H.D.	1	} These Pipes are c/w Unions
	9163239	Pipe (Line) Assembly—Master Cylinder to 4-Way Piece—L.H.D.	1	
B57	9163229	Pipe (Line) Assembly—4-Way Piece to O.S. (R.H.) Front Hose	1	
B58	9163230	Pipe (Line) Assembly—4-Way Piece to N.S. (L.H.) Front Hose	1	
B59	9163231	Pipe (Line) Assembly—4-Way Piece to Rear Hose	1	
B60	9163233	Pipe (Line) Assembly—3-Way Piece (on Axle) to O.S. (R.H.) Rear Wheel Cylinder	1	
B61	9163234	Pipe (Line) Assembly—3-Way Piece (on Axle) to N.S. (L.H.) Rear Wheel Cylinder	1	} Diesel Models— } Not supplied } Petrol Models } Petrol Models } Diesel Models } Petrol Models } Diesel Models
B62	P.54741	Clip—Pipe—4-Way to Rear Hose	2	
		Clip—Pipes to Sidemember—L.H.D.	3	
B63	P.49197	Clip—Pipe—4-Way to Rear Hose to Channel	3	
B64	P.75920	Clip—Pipes to Sidemember	2	
	9744089	Tapping Screw—No. 10 \times $\frac{1}{2}$ " hex. head	4	
	P.75920	Clip	1	
	P.54741	Clip	2	
	19903042	Screw—No. 10 UNF. \times $\frac{1}{2}$ " } Pipe to	1	
	19903042	Screw—No. 10 UNF. \times $\frac{1}{2}$ " } Valance	2	
B65	9155005	FOUR-WAY CONNECTION	1	
	19104091	Bolt— $\frac{1}{2}$ " UNF. \times $1\frac{1}{2}$ "	1	
	9660161	Washer— $\frac{1}{2}$ " spring } 4-Way to Valance	1	
	9510040	Nut— $\frac{1}{2}$ " UNF.	1	
B66	P.43782	THREE-WAY CONNECTION—Axle Casing	1	
B67	19104091	Bolt— $\frac{1}{2}$ " UNF. \times $1\frac{1}{2}$ " } 3-Way to	1	
B68	9660161	Washer— $\frac{1}{2}$ " spring } Axle Casing	1	
B69		STOP LIGHT SWITCH	1	} See Electrical Equipment
B70	P.49323	HOSE—FRONT	2	
B71	P.49322	Hose—Rear	1	
B72	9520060	Locknut	3	
B73	9086033	Lockwasher } Hose to Pipes	3	
B74	9099017	Gasket	3	
	1203002	SUPPORT CHANNEL—Brake and Fuel Lines	1	
	9733089	Tapping Screw—No. 8 \times $\frac{1}{2}$ "	4	
	9067005	Washer— $\frac{3}{8}$ " plain	4	
B75	1210262	Brake Pedal—R.H.D.	1	} See Note 2— } Page 169 } See Note 3— } Page 169
	1210261	Brake Pedal—L.H.D.	1	
	1216628	Brake Pedal—R.H.D.	1	
	1216626	Brake Pedal—L.H.D.	1	
B76	1205471	Sealing Pad—Pedal	1	
B77	1202494	Pedal Shaft	1	
	9217027	Greaser—Pedal Shaft	1	
B78	9086015	Washer— $\frac{1}{2}$ " spring } Shaft to	1	
B79	9067075	Washer— $\frac{1}{2}$ " plain } Bracket	1	

BRAKES AND CONTROLS

Plate Ref.	Part Number	DESCRIPTION	No. per Veh.	REMARKS
B80	1202493	PEDAL BRACKET	1	} See Special Note A—Page 169 } See Note 2— } Page 169
	19505061	Screw— $\frac{3}{8}$ " UNF. \times $\frac{1}{2}$ "	4	
	9660201	Washer— $\frac{3}{8}$ " spring	4	
	9510050	Nut— $\frac{3}{8}$ " UNF.	2	
	1216648 (1219050)	PEDAL BRACKET	1	
	1216664	Stiffener—Bracket	1	
	19505061	Screw— $\frac{3}{8}$ " UNF. \times $\frac{1}{2}$ "	4	
	9660201	Washer— $\frac{3}{8}$ " spring	4	
	9029204	Nut— $\frac{3}{8}$ " UNF.	2	
	1202495	Return Spring	2	
B81	1202492	Anchor Bracket—Return Spring	1	} See Note 3—Page 169
B82	19504041	Screw—1" UNF. \times $\frac{1}{2}$ "	2	
	9660161	Washer— $\frac{1}{2}$ " spring	2	
	9067015	Washer— $\frac{1}{2}$ " plain	2	
	1219050	PEDAL BRACKET	1	
	1216664	Stiffener—Bracket	1	
	19505061	Bolt— $\frac{3}{8}$ " UNF. \times $\frac{1}{2}$ "	4	
	9660201	Washer— $\frac{3}{8}$ " spring	4	
	9029204	Nut— $\frac{3}{8}$ " UNF.	4	
	1219052	Return Spring	1	
	1219051	Cap—Return Spring	1	} See Special Note A— } Page 169
	1202697 (1215612)	HANDBRAKE LEVER	1	
B83		Lever		} Not supplied
B84	5037693	Push Button	1	
B85	5037691	Spring	1	} See Note 2—Page 169
B86	9120150	Washer—Felt	1	
B87	9067395	Washer—Plain	2	
B88	5037685 (K.29667)	Pawl Rod	1	
B89	5037686	Pawl	1	
B90	5037690	Sector	1	
B91	5037689	Pivot Pin	1	
B92	9067410	Washer	1	
	1215612	HANDBRAKE LEVER	1	
	5038869	Push Button		
	5038869	Lever	1	
	9040537	Spring	1	} See Note 3— } Page 169
	9040536	Spring Housing	1	
	9040535	Pawl Rod	1	
	5037686	Pawl	1	
	5037690	Sector	1	
	5037689	Pivot Pin	1	
	9067410	Washer—Plain	1	
B93	1202710	Stiffener Assembly—Handbrake	1	
	19506061	Screw—1" UNF. \times $\frac{1}{2}$ "	2	
	9664242	Washer—1" shakeproof	2	
B94	1202698 (1219071)	HANDBRAKE CABLE—LONG	1	
	19505061	Bolt— $\frac{3}{8}$ " UNF. \times $\frac{1}{2}$ "	3	
	9664202	Washer— $\frac{3}{8}$ " shakeproof	3	
B95	19503071	Screw—No. 10 UNF. \times $\frac{1}{2}$ "	1	
B96	1202712	Bearing	1	
B97	9067011	Washer— $\frac{3}{8}$ "	2	
B98	9551034	Nut—No. 10 UNF.	1	
B99	9178563	Clip—Cable to Frame	4	} Used prior to Chassis No. } 342625—CKD 380423-28 } Used on and after Chassis } No. 342625—CKD } 380423-28
	9176033	Clip—Cable to Frame	1	

BRAKES AND CONTROLS

Plate Ref.	Part Number	DESCRIPTION	No. per Veh.	REMARKS
B100	1202699	ROD ASSEMBLY—CABLE TO BRAKE	1	
B101	P.105150	Turnbuckle	1	
B102	9520050	Nut— $\frac{1}{8}$ " UNF.—R.H. Thread } Cable to Rod	1	
B103	9029132	Nut— $\frac{1}{8}$ " UNF.—L.H. Thread }	1	
	9067023	Washer— $\frac{1}{8}$ " plain } Rod to	1	
	9086004	Washer— $\frac{1}{8}$ " spring } Brake	1	
B104	P.109303	HANDBRAKE CABLE—SHORT	1	
B105	1216452	Jaw	1	
B106	9149021	Jaw (Clevis) Pin— $\frac{1}{8}$ " \times $\frac{1}{2}$ "	1	
B107	9086004	Washer— $\frac{1}{8}$ " spring	1	
B108	9067023	Washer— $\frac{1}{8}$ " plain	1	
B109	P.101195 (9024007)	Jaw Nut— $\frac{1}{8}$ " UNF. square	1	
B110	9520050	Locknut— $\frac{1}{8}$ " UNF.	1	
B111	P.110493	COMPENSATOR LEVER ASSEMBLY	1	
B112	P.110494	Bush—Compensator Lever	1	
B113	1216451	Lever—Brake	1	
B114	19505051	Screw— $\frac{1}{8}$ " UNF. \times $\frac{1}{2}$ "	1	
B115	9664202	Washer— $\frac{1}{8}$ " shakeproof } Cable abutment Barrel to Levers	1	
B116	9510050	Nut— $\frac{1}{8}$ " UNF.	1	
B117	P.110491	Anchor Pin } Brake	1	
	1236492	Anchor Pin } Levers	2	
B118	19505051	Screw— $\frac{1}{8}$ " UNF. \times $\frac{1}{2}$ " } Anchor Pin to	2	
B119	9664202	Washer— $\frac{1}{8}$ " shakeproof } Rear Axle	2	
B120	9076039	Washer— $\frac{1}{8}$ " plain	1	
B121	9076030	Washer— $\frac{1}{2}$ " brass } Levers to	1	
B122	9571063	Nut— $\frac{1}{2}$ " UNF. Nylon } Anchor Pin	1	Used only with P.110491
	9034043	Nut— $\frac{1}{2}$ " UNF.	1	Used only with 1236492
<p>Note 1. Replacement Brake Shoes w/ Linings, Wheel Cylinders and Master Cylinders are available in Part Exchange for the original units.</p> <p>Note 2. Used on all 1500 Series I and II up to introduction of 1500 Series IIA and 2500 Series—See also Note in Preliminary Section.</p> <p>Note 3. Used on and after introduction of 1500 Series IIA and 2500 Series up to and including Chassis No. 228885—CKD 276437—See also Note in Preliminary Section.</p> <p>Note 4. Introduced as Standard Equipment for N. America, Finland, Norway, Sweden and Austria only.—Fitted from Chassis No. 223952, and in addition the following were also modified:— 223323, 223592, 223616, 223642, 223647, 223654, 223666, 223669, 223672, 223687, 223694, 223765, 223770, 223792, 223830, 223905 and 223944.</p> <p>Note 5. Used on and after Chassis No. 228886—CKD 276438.</p> <p>Special Note A. Part No. 1216648 Pedal Bracket is no longer available. Customers must now order and fit latest condition—i.e.:— 1219050 Pedal Bracket 1 1216664 Stiffener Bracket 1 1219052 Return Spring 1 1219051 Cap—Return Spring 1</p>				

RADIATOR

RADIATOR

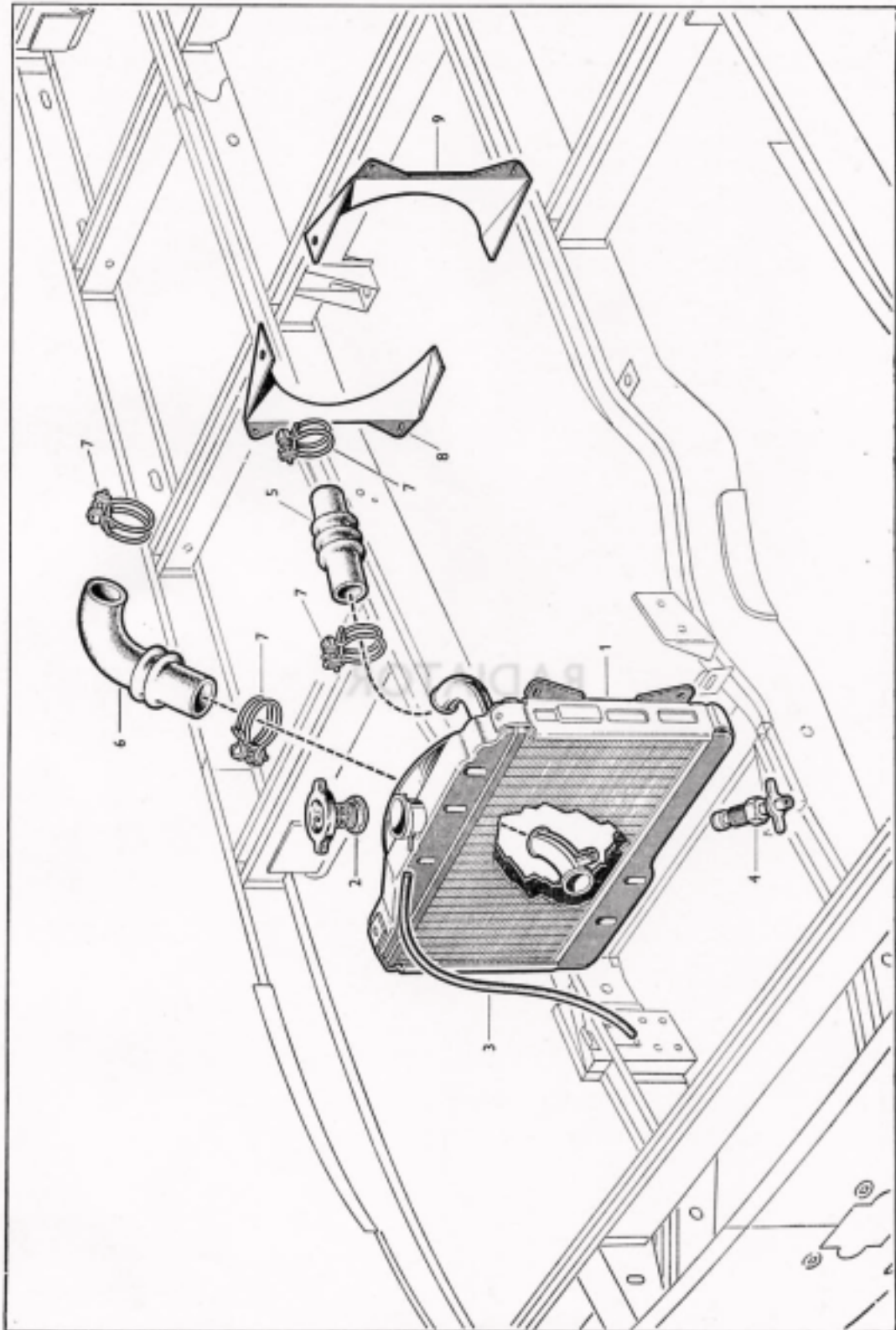


PLATE A

RADIATOR

Plate Ref.	Part Number	DESCRIPTION	No. per Veh.	REMARKS
A1	1202702 (1214005)	Radiator Block (Core) Assembly	1	See Notes 1 & 7—Page 174
A2	5037726	Filler Cap—4 lbs. Pressure	1	
A3	P.112696	Overflow Pipe—Order in feet	A/R	See Notes 2 and 7—Page 174
	1202780 (1214005)	Radiator Block (Core) Assembly	1	
	K.21765	Filler Cap—7 lbs. Pressure	1	See Notes 3 and 7—Page 174
	P.112696	Overflow Pipe—Order in feet	A/R	
	1202908 (1214005)	Radiator Block (Core) Assembly	1	See Note 6—Page 174
	5037726	Filler Cap—4 lbs. Pressure	1	
	P.112696	Overflow Pipe—Order in feet	A/R	1500 Series I
	1207999 (1214005)	Radiator Block (Core) Assembly	1	
	K.21765	Filler Cap—7 lbs. Pressure	1	Diesel Models
	P.112696	Overflow Pipe—Order in feet	A/R	
	1214005	Radiator Block (Core) Assembly	1	Petrol and Diesel Models—
	K.21765	Filler Cap—7 lbs. Pressure	1	
	P.112696	Overflow Pipe—Order in feet	A/R	Diesel Models—1500
	1215232 (3077096)	Radiator Block (Core) Assembly	1	
	1208971 (5220487)	Filler Cap—9 lbs. Pressure	1	Series II
	P.112696	Overflow Pipe—Order in feet	A/R	
A4	9214001	DRAIN TAP	1	Radiator Block to Support Brackets
	19305061	Screw— $\frac{1}{8}$ " UNF. x $\frac{1}{2}$ "	4	
	9067026	Washer— $\frac{1}{8}$ " plain	6	
	9664202	Washer— $\frac{1}{8}$ " shakeproof	4	
	9510050	Nut— $\frac{1}{8}$ " UNF.	4	
A5	1202703	HOSE—TOP	1	See Note 5—Page 174
A6	1202704	Hose—Bottom	1	
A7	9782241	Hose Clip	4	See Note 5 and Special Diesel Note A—Page 174
	1202703	Hose—Top and Bottom	2	
	9782241	Hose Clip	4	Page 174
	1208321 (5200634)	Hose—Top	1	
	1202703	Hose—Bottom	1	See Note 6—
	9782241	Hose Clip	4	
	1208319	Hose—Top	1	Petrol Models
	1208317 (5200470)	Hose—Bottom	1	
	9782241	Hose Clip	4	Page 174
	1208319	Hose—Top	1	
	1208317 (5200470)	Hose—Bottom	1	Petrol Models—See Note 8
	9782241	Hose Clip	4	
	1219013	Hose—Top	1	Petrol Models—
	1208317 (5200470)	Hose—Bottom	1	
	9782241	Hose Clip	4	See Note 9—Page 174
	1208321 (5200634)	Hose—Top	1	
	1215233 (1219100)	Hose—Bottom	1	Diesel Models
	9782241	Hose Clip	4	
A8	1203386	Radiator Cowl—O.S. (R.H.)	1	See Note 5—Page 174
A9	1203387	Radiator Cowl—N.S. (L.H.)	1	
	1203502	Radiator Cowl—O.S. (R.H.)	1	Petrol Models—
	1203503	Radiator Cowl—N.S. (L.H.)	1	
	1214005	Radiator Cowl—O.S. (R.H.)	1	1500 Series II—
	1214004	Radiator Cowl—N.S. (L.H.)	1	
	1214005	Radiator Cowl—O.S. (R.H.)	1	1500 Series II—
	1214004	Radiator Cowl—N.S. (L.H.)	1	
	1203502	Radiator Cowl—O.S. (R.H.)	1	1500 Series II—
	1203503	Radiator Cowl—N.S. (L.H.)	1	
	3058148	Radiator Cowl Assembly	1	Export only—Diesel Models Used from Chassis Nos. 338456—CKD 379259
	1203502	Radiator Cowl	1	
	1203503	Radiator Cowl	1	
	3058147	Cowl Ring	1	

RADIATOR

Plate Ref.	Part Number	DESCRIPTION	No. per Veh.	REMARKS															
	5200419	Baffle Kit	1	} Early Models—Special Order only for Tropical Climates. Fitted as Standard on Petrol and Diesel Models from Chassis Nos. 338456—CKD 379259															
	1216936	Baffle	2																
	1216687	Bracket—Baffle to Crossmember	2																
	1216667	Seal—Radiator	2																
	19504052	Screw— $\frac{1}{2}$ " UNF. $\times \frac{1}{4}$ "	2																
	9510040	Nut— $\frac{1}{2}$ " UNF.	2																
	9660161	Washer— $\frac{1}{2}$ " spring	2																
	9067017	Washer— $\frac{1}{2}$ " plain	2																
	9746089	Screw—No. 14 $\times \frac{1}{2}$ "	2																
	9067020	Washer— $\frac{1}{2}$ " plain	2																
	19504041	Bolt— $\frac{1}{2}$ " UNF. $\times \frac{1}{4}$ "	2																
	9067018	Washer— $\frac{1}{2}$ " plain	2																
	9664162	Washer— $\frac{1}{2}$ " shakeproof	2																
		Note 1. Used prior to Home Chassis Nos. listed in Note 2.																	
		Note 2. Used on all Export and on and after Home Chassis Nos. 1500/-/001707-001821-001858-001865-001871-001874-00187-8001887/001888-001892/001894-001902-001907-001911-001914/001916-001918/001919-001924/001925-001934-001936-001938-001941—Up to but not including Chassis Nos. listed in Note 5.																	
		Note 3. Used prior to Chassis No. 1500/-/003097.																	
		Note 4. Used on and after Chassis No. 1500/-/003097 up to but not including Chassis Nos. listed in Note 5.																	
		Note 5. Used prior to Diesel Chassis Nos. 1500/-/013984 CKD Diesel Chassis No. 1500/-/72161.																	
		Note 6. Used on and after:— Petrol Chassis No. 1500/-/016168, Diesel Chassis No. 1500/-/013984, CKD Petrol Chassis No. 1500/-/72347, CKD Diesel Chassis No. 1500/-/72161.																	
		Note 7. Supplies of Radiator Block (Core) Assembly Part Nos. 1202702, 1207780, 1202908, and 1207959 are no longer available and demands will be met by the supply of 1214005 Radiator Block (Core) Assembly. When fitting 1214005 Radiator Block (Core) Assembly to Vehicles previously using 1202702, 1207780, 1202908 or 1207959 it will be necessary to ensure that the latest Radiator Hose Condition is fitted, as follows:— <table style="margin-left: 40px;"> <tr> <td>Petrol Engine Models</td> <td>{</td> <td>1208319</td> <td>Hose—Top</td> </tr> <tr> <td></td> <td></td> <td>1208317</td> <td>Hose—Bottom</td> </tr> <tr> <td>Diesel Engine Models</td> <td>{</td> <td>1208321</td> <td>Hose—Top</td> </tr> <tr> <td></td> <td></td> <td>1202703</td> <td>Hose—Bottom</td> </tr> </table> It will be necessary to relocate the top fixing nuts in the Radiator Cows unless the latest condition of Radiator Cowl is also fitted.	Petrol Engine Models	{	1208319	Hose—Top			1208317	Hose—Bottom	Diesel Engine Models	{	1208321	Hose—Top			1202703	Hose—Bottom	
Petrol Engine Models	{	1208319	Hose—Top																
		1208317	Hose—Bottom																
Diesel Engine Models	{	1208321	Hose—Top																
		1202703	Hose—Bottom																
		Special Note A. Certain Diesel Vehicles in the range 1500/-/008185 to 1500/-/010901 (CKD 1500/-/71362 to 1500/-/71681) were fitted with a Special Moulded Bottom Hose 1208300 instead of the Inlet Pipe detailed in Engine (Motor) Auxiliaries—Diesel. This Hose 1208300 is no longer available and customers must order 1202703 Hose, 2-off, and Inlet Pipe and fixings detailed in Engine (Motor) Auxiliaries—Diesel.																	
		Note 8. Used prior to introduction Nos. listed in Note 9.																	
		Note 9. Introduction of new Top Hose for use with the new Horizontal Thermostat Housing fitted to the Engine (Motor) Unit—Petrol—1592 c.c. Used on and after Engine Nos.:— 2CO 7073; 2CB 522 Australia; 2CNA 150 U.S.A. and Canada.																	

FUEL SYSTEM

FUEL SYSTEM — PETROL MODELS (1494 c.c. and 1592 c.c.)

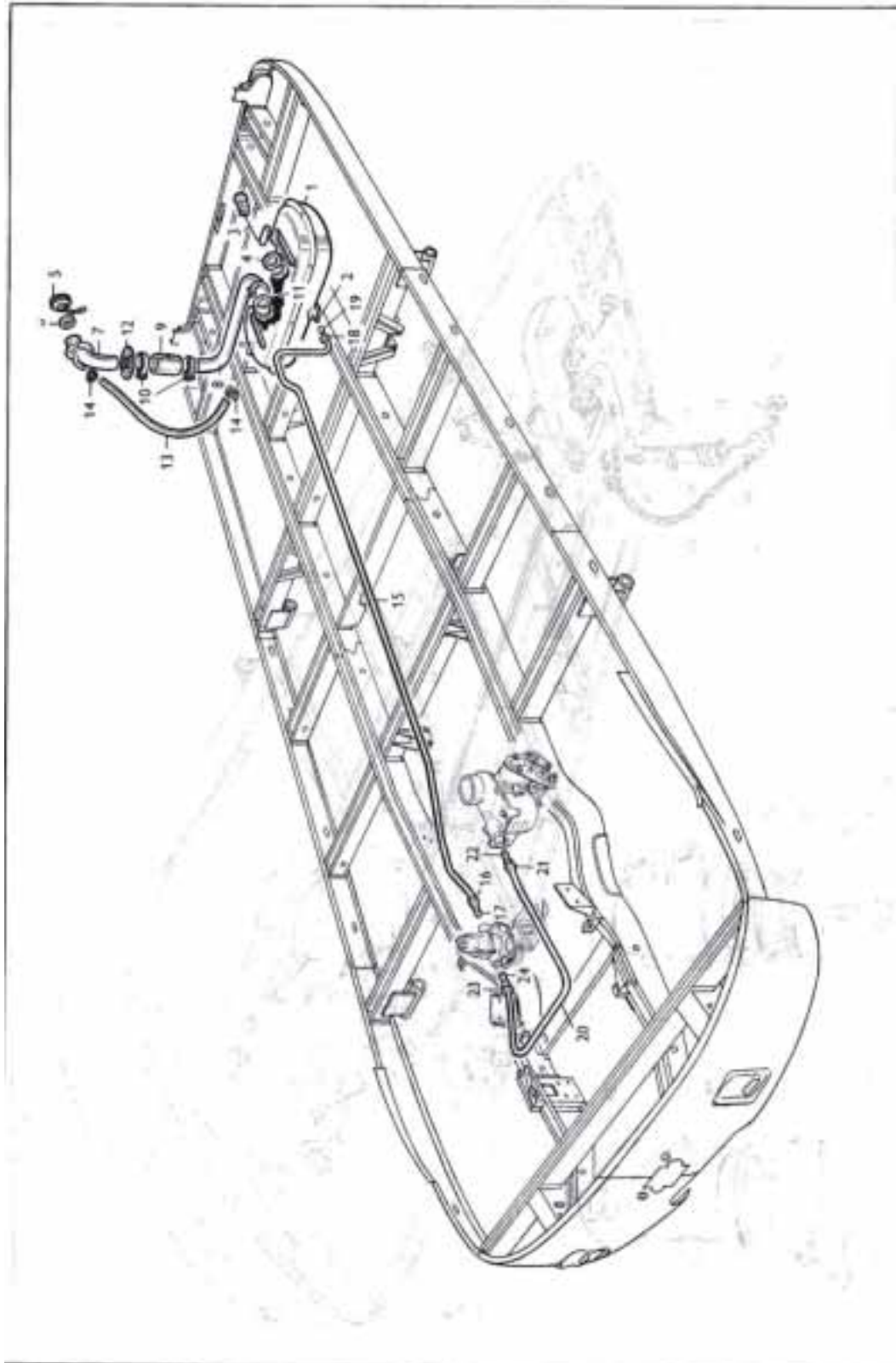


PLATE A

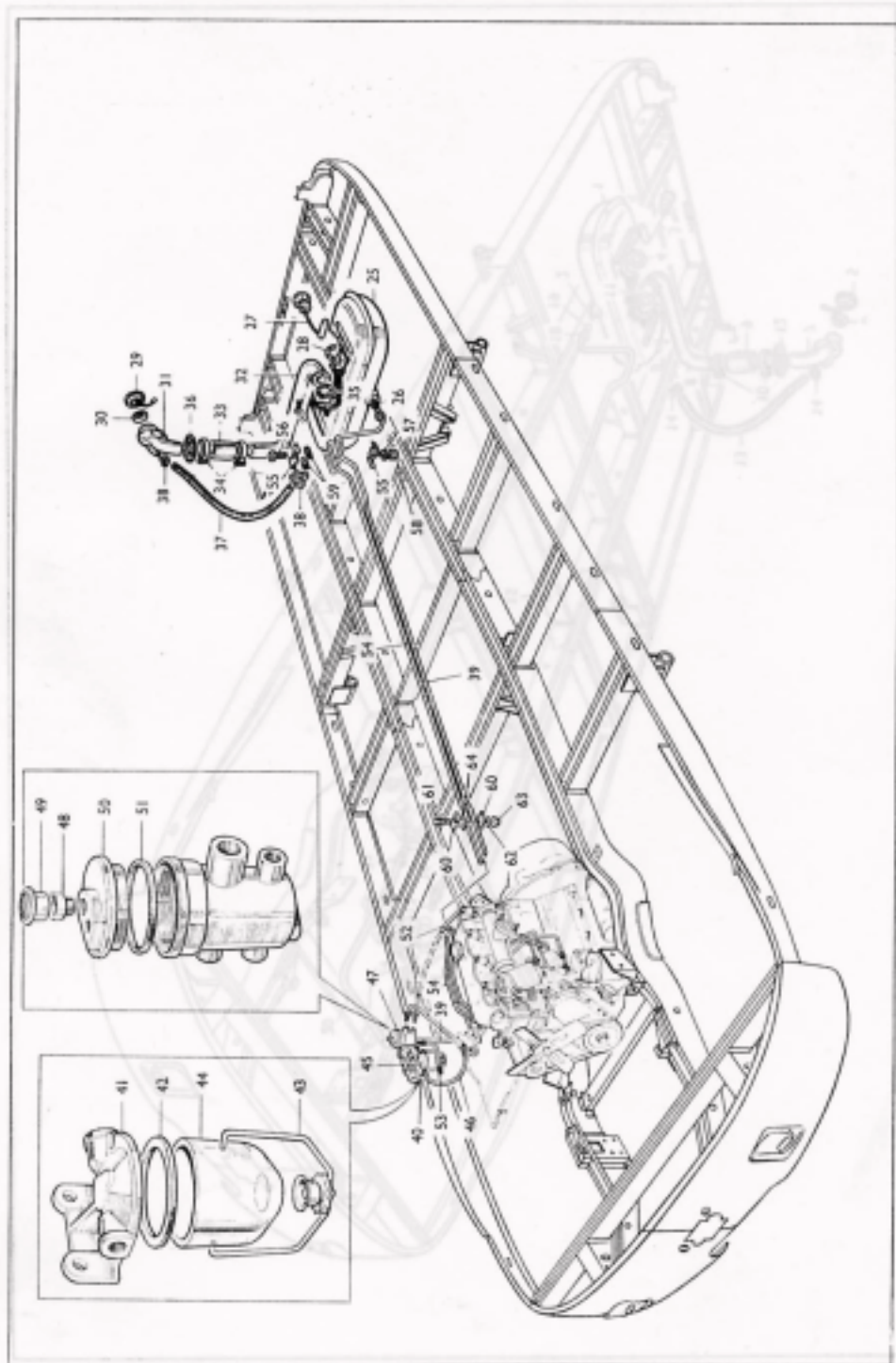


PLATE B

FUEL SYSTEM — PETROL MODELS (1494 c.c. and 1592 c.c.)

Plate Ref.	Part Number	DESCRIPTION	No. per Veh.	REMARKS
A1	1202282	PETROL (Gasoline) TANK	1	
A2		Union	1	Not supplied
	P.49325	Spire Screw— $\frac{1}{8}$ " \times $\frac{1}{4}$ "	6	Early Models
	19505061	Screw— $\frac{1}{8}$ " UNF. \times $\frac{1}{2}$ "	6	Late Models
	9067023	Washer— $\frac{1}{8}$ " plain	6	Tank to Frame
	9664202	Washer— $\frac{1}{8}$ " shakeproof	6	
A3	1046591	PETROL (Fuel) GAUGE—TANK UNIT	1	
A4	5037342	Joint (Gasket)	1	
	39912051	Screw—No. 8 UNC. \times $\frac{1}{8}$ "—Tank Unit to Tank	6	
A5	P.105757	FILLER CAP	1	
A6	9079070	Washer—Filler Cap	1	See Special Accessories
		Filler Cap—Locking	1	
A7	1202423	Filler Neck	1	
A8	1202424	Filler Pipe	1	
A9	9166159	Hose } Filler Neck to	1	
A10	9782341	Clip } Filler Pipe	2	
A11	K.10394	Joint (Gasket)	1	Filler Pipe
	39902040	Screw—No. 8 UNC. \times $\frac{1}{4}$ " to Tank	6	
A12	1203262	Grommet—Filler Neck	1	
	9773065	Tapping Screw—No. 8 \times $\frac{1}{4}$ "—Filler Neck to Body	4	
A13	P.49320	Breather Pipe—34 $\frac{1}{2}$ " long	A/R	Order in feet
A14	9782111	Clip—Breather Pipe	2	
A15	1202240	PETROL (Fuel) PIPE—TANK TO PUMP	1	
A16	9156061	Nut— $\frac{1}{8}$ " B.S.P. } Pump	1	Early Condition— See Note 5
A17	9157106	Olive ... } End	1	
A18	9156061	Nut— $\frac{1}{8}$ " B.S.P. } Tank	1	Also Special Note B— Page 181
A19	9157106	Olive ... } End	1	
	1219008	PETROL (Fuel) PIPE—TANK TO PUMP	1	Late Condition—See Note 6 —Page 181—Also Special Note B—Page 181
	9156061	Nut—Steel— $\frac{1}{8}$ " B.S.P.—Tank End	1	
	9156528	Nut—Tube— $\frac{1}{2}$ " UNF.—Pump End	1	
	9157106	Olive	2	
	P.49315 (9178558)	Clip—Pipe (Line) to Support Channel	3	
		Support Channel	1	See Brakes and Controls
A20	1208762 (1218319)	PETROL (Fuel) PIPE—PUMP TO CARBURETTOR	1	
A21	9156525	Nut— $\frac{1}{8}$ " UNF. } Carburettor	1	Early Condition—See Note 3—Also Special Note A—Page 181
A22	9157106	Olive ... } End	1	
A23	9156058	Nut— $\frac{1}{8}$ " B.S.P. } Pump	1	Early Condition Late Condition
A24	9157106	Olive ... } End	1	
	P.103779	Petrol Pipe Clip—Side Cover	1	
	9176009	Clip—Petrol Pipe—Lifting Eye	1	
	1218319	PETROL (Fuel) PIPE—PUMP TO CARBURETTOR	1	
	9156525	Nut } Carburettor	1	Late Condition—See Note 4—Also Special Note A—Page 181
	9157106	Olive } End	1	
	9156529	Nut } Pump	1	See Note 6 Also Special Note B— Page 181
	9157106	Olive } End	1	
	1800552 (1800742)	PETROL (Fuel) PIPE—PUMP TO CARBURETTOR	1	
	9156525	Nut— $\frac{1}{8}$ " UNF. } Carburettor	1	Not supplied } See Note 7 —Page 181
	9157106	Olive ... } End	1	
	9156529	Nut } Pump	1	Not supplied } See Note 7 —Page 181
	9157106	Olive } End	1	
	1800742	PETROL (Fuel) PIPE—PUMP TO CARBURETTOR	1	
	9156525	Nut } Carburettor	1	Not supplied } See Note 7 —Page 181
	9156529	Nut } Pump	1	
	1800898	PETROL (Fuel) PIPE ASSEMBLY—PUMP TO CARBURETTOR	1	See Note 8—Page 181

FUEL SYSTEM — DIESEL MODELS (4-99)

Plate Ref.	Part Number	DESCRIPTION	No. per Veh.	REMARKS
B25	1202282	FUEL TANK	1	
B26		Union	1	Not supplied
	P.49325	Spire Nut— $\frac{1}{8}$ " \times $\frac{1}{4}$ "	6	Early Models
	19505061	Screw— $\frac{1}{8}$ " UNF. \times $\frac{1}{4}$ "	6	Late Models
	9067023	Washer— $\frac{1}{8}$ " plain	6	
	9664202	Washer— $\frac{1}{8}$ " shakeproof	6	
B27	1046591	FUEL GAUGE—TANK UNIT	1	
B28	5037342	Joint (Gasket)	1	
	39902050	Screw—No. 8 UNC. \times $\frac{1}{8}$ "—Tank Unit to Tank	6	
B29	1216883	FILLER CAP—MARKED "FUEL OIL"	1	
B30	9079070	Washer—Filler Cap	1	
		Filler Cap—Locking	1	See Special Accessories
B31	1202423	Filler Neck	1	
B32	1203577	Filler Pipe	1	
B33	9166159	Hose } Filler Neck to	1	
B34	9782341	Clip } Filler Pipe	2	
B35	K.10394	Joint (Gasket)	1	
	39902040	Screw—No. 8 UNC. \times $\frac{1}{4}$ " } Filler Pipe to Tank	6	
B36	1203262	Grommet—Filler Neck	1	
	9773065	Tapping Screw—No. 8 \times $\frac{1}{4}$ "—Filler Neck to Body	4	
B37	P.49320	Breather Pipe— $34\frac{1}{2}$ " Long	A/R	Order in feet
B38	9782111	Clip—Breather Pipe	2	
	1202719	FUEL PIPE (Line)—TANK TO FEED	1	
	9156061	Nut— $\frac{1}{8}$ " B.S.P.	2	} See Note 1—Page 181
	9157106	Olive	2	
B39	1203574 (9168008)	FUEL PIPE (Line)—FEED TO PUMP	1	See Note 1—Page 181
	1207933	FUEL PIPE (Line)—TANK TO FUEL STRAINER	1	
	9156061	Nut— $\frac{1}{8}$ " B.S.P.	2	} Early Models
	9157106	Olive	2	
	9156061	Nut— $\frac{1}{8}$ " B.S.P. } Tank	1	} See Note 2—Page 181
	9157106	Olive ... } End	1	
	9156528	Nut—Tube— $\frac{1}{4}$ " UNF. } Fuel Strainer	1	} Late Models
	9157106	Olive ... } End	1	
B40	1207922	FUEL STRAINER ASSEMBLY	1	
B41	5038419	Filter Cover	1	
B42	K.25579	Joint (Gasket)—Filter Cover	1	
B43	K.2689	Stirrup Assembly	1	
	5038421	Filter Gauge	1	
B44	K.1566	Bowl	1	
	9159514	Banjo Bolt } Fuel } Early	2	} See Note 2—Page 181
	P.49339	Washer ... } Strainer } Models	4	
	19505061	Screw— $\frac{1}{8}$ " UNF. \times $\frac{1}{4}$ " } Fuel Strainer	2	
	9664202	Washer— $\frac{1}{8}$ " shakeproof } to Bracket	2	
B45	1207907	BRACKET ASSEMBLY—FUEL STRAINER AND FUEL CONTAINER TO BODY	1	
	19504041	Screw— $\frac{1}{4}$ " UNF. \times $\frac{1}{2}$ "	2	
	9664162	Washer— $\frac{1}{4}$ " shakeproof } Bracket to Body	2	
	9510040	Nut— $\frac{1}{4}$ " UNF.	2	
B46	1207962 (9168005)	FUEL PIPE (Line)—FUEL STRAINER TO LIFT PUMP	1	
B47	1205618	FUEL CONTAINER ASSEMBLY (Thermostart)	1	
B48	5033731	Check Valve	1	
B49	5033815	Dust Cover—Check Valve	1	
B50	5033733	Cup	1	
B51	5033732	Joint (Gasket)	1	
	19504031	Screw— $\frac{1}{4}$ " UNF. \times $\frac{1}{2}$ " } Fuel Container to	2	
	9664162	Washer— $\frac{1}{4}$ " shakeproof } Bulkhead or Bracket	2	
	1203575 (9168007)	FUEL PIPE (Line)—INJECTOR TO FUEL CONTAINER	1	
	1203576 (9168006)	FUEL PIPE (Line)—FUEL CONTAINER TO HEATER (Thermostart)	1	} See Note 1—Page 181
B52	1207902 (9168009)	FUEL PIPE (Line)—INJECTOR TO FUEL CONTAINER	1	

FUEL SYSTEM — DIESEL MODELS (4-99)

Plate Ref.	Part Number	DESCRIPTION	No. per Veh.	REMARKS
B53	1207902 (9168009)	FUEL PIPE (Line)—FUEL CONTAINER TO HEATER (Thermostat)	1	See Note 2—Page 181
	9151234	Union	1	
	9078011	Washer—fibre	1	} Early Models
	1202720	FUEL PIPE (Line)—FUEL CONTAINER TO TANK	1	
B54	1207896	FUEL PIPE (Line)—FUEL CONTAINER TO TANK	1	See Note 1—Page 181
	9156528	Nut—Tube— $\frac{1}{2}$ " UNF.	1	} Fuel Container
	9157106	Olive	1	
	9156061	Nut— $\frac{1}{8}$ " B.S.P. Union	1	} Tank
	9157106	Olive	1	
	P.75920	Clip	1	} Feed and Return Pipes
	9744089	Tapping Screw—No. 10 $\times \frac{1}{2}$ "	1	
	9176011	Clip	1	} to Side Member
	9747089	Tapping Screw— $\frac{1}{8}$ " $\times \frac{1}{2}$ "	1	
	9067023	Washer— $\frac{1}{8}$ " plain	1	} Pipes to ...
	P.49315 (9178558)	Clip—Feed and Return Pipes to Support Channel	3	
		Support Channel	1	} Side Member
B55	P.75920	Clip	2	
B56	19503031	Screw—No. 10 UNF. $\times \frac{1}{2}$ "	1	} Feed and
B57	9663122	Washer— $\frac{1}{8}$ " shakeproof	1	
B58	9510030	Nut—No. 10 UNF.	1	} —Rear End
B59	9166010	Sleeve—Rubber	2	
	P.49331 (9178537)	Clip } Fuel Return Pipe	1	}
	9176013	Clip } (Line) to Tank	1	
B60	P.75920	Clip	2	} Late Models
B61	19503031	Screw—No. 10 UNF. $\times \frac{1}{2}$ "	1	
B62	9663123	Washer— $\frac{1}{8}$ " shakeproof	1	} Feed and
B63	9510031	Nut—No. 10 UNF.	1	
B64	9166010	Sleeve—Rubber	2	} —Front End
		Note 1. Used prior to Chassis No. 1500/-003836; CKD Chassis No. 1500/-700547.		
		Note 2. Used on and after Chassis No. 1500/-003836; CKD Chassis No. 1500/-700547.		
		Note 3. Used prior to Engine No.—See Note 4.		
		Note 4. Used on and after Engine No. 2C.6125—Home; 2CB.435—Australia; 2CNA.138—N. America.		
		Note 5. Used prior to Chassis No.—See Note 6.		
		Note 6. Used on and after Chassis No. 229218—CKD 276547 up to Chassis Nos. listed in Note 7.		
		Note 7. Used on and after Chassis No. 233328—CKD 277765 up to Engine Nos. listed in Note 8.		
		Brass olives replace Moulded Nylon Olives.		
		Note 8. Used on and after Engine Nos.—		
		2CO 3043;		
		2CO 7 N. America;		
		2CO 51 Associated British Foods.		
		See also Note 8—Engine (Motor) Auxiliaries—Petrol 1592 c.c.		
		Special Note A. 1208762 Petrol Pipe Assembly is no longer available. Customers must order and fit: 1218319 Petrol Pipe Assembly, Pump to Carburettor and appropriate Nuts and Olives.		
		Special Note B. Introduction of a design change to the Petrol (Fuel) Pump Mounting position. Late type Petrol Pump now fitted in a forward position—Early Condition Pipes are not interchangeable with Late Condition Pipes. Supplies will be maintained of Early Type Pipes for Engines built prior to introduction of Design Change. For Petrol Pump details see Engine (Motor) Auxiliaries—Petrol 1592 c.c.		

EXHAUST SYSTEM

EXHAUST SYSTEM

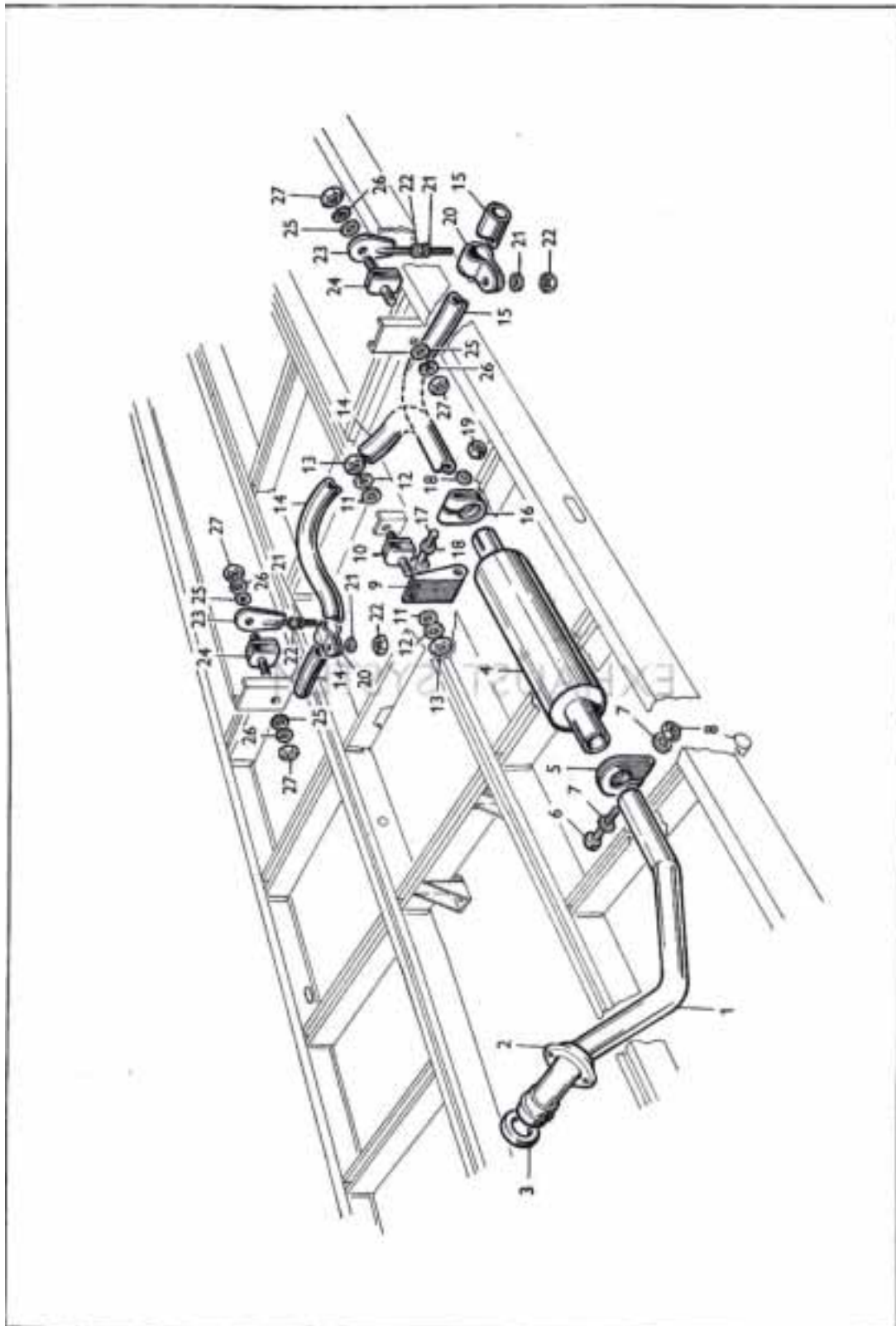


PLATE A

EXHAUST SYSTEM

Plate Ref.	Part Number	DESCRIPTION	No. per Veh.	REMARKS
A1	1203096	EXHAUST PIPE ASSEMBLY—R.H.D. ...	1	Petrol Diesel { Diesel—See Note 6 and Special Note A—Page 186 Petrol } See Note 2— Diesel } Page 186 { Diesel—See Note 6 and Special Note A—Page 186 Petrol } See Note 3— Diesel } Page 186 { Diesel—See Note 6 and Special Note A—Page 186
	1205664	Exhaust Pipe Assembly—R.H.D. ...	1	
	1216548	Exhaust Pipe Assembly—R.H.D. ...	1	
	1203096	Exhaust Pipe Assembly—L.H.D. } Without Side ...	1	
	1205664	Exhaust Pipe Assembly—L.H.D. } Door Step ...	1	
	1216548	Exhaust Pipe Assembly—L.H.D.—Without Side Door Step ...	1	
	1214201	Exhaust Pipe Assembly—L.H.D. } With Side ...	1	
	1214203	Exhaust Pipe Assembly—L.H.D. } Door Step ...	1	
	1216546	Exhaust Pipe Assembly—L.H.D.—With Side Door Step ...	1	
	A2	P.109392	Flange ...	
A3	1215424	Joint (Gasket) ...	1	{ Exhaust Pipe to Manifold ... { Bracket to ... { Cylinder Block ... { Exhaust Pipe to ... { Clip and Bracket ... { See Note 5 and Special Note A—Page 186 { See Note 4— Page 186
	29900249	Stud—1" UNF. × 1½" ...	2	
	9029141	Nut—1" UNF. ...	2	
	9067037	Washer—1" plain ...	2	
	1219042	Bracket—Exhaust Pipe to Cylinder Block ...	1	
	29706132	Stud—1" UNF. ...	2	
	9510060	Nut—1" UNF. ...	2	
	9067037	Washer—1" plain ...	8	
	9660241	Washer—1" plain ...	2	
	9181011	Clip ...	1	
	19105261	Bolt—½" UNF. ...	1	
	9067023	Washer—½" plain ...	2	
	9664203	Washer—½" spring ...	1	
	9510051	Nut—½" UNF. ...	1	
	A4	1203616 (1208050)	SILENCER (Muffler)—Round Section ...	
1208050		Silencer (Muffler)—Oval Section ...	1	
A5	9181015	Clip ...	1	
A6	19105221	Bolt—½" UNF. × 2½" ...	1	
A7	9067023	Washer—½" plain ...	2	
A8	9510050	Nut—½" UNF. ...	1	
A9	1203097	Hanger—Tail Pipe and Silencer ...	1	
A10	P.102431	Support Rubber ...	1	
A11	9067409	Washer—½" plain ...	2	
A12	9660201	Washer—½" spring ...	2	
A13	9510050	Nut—½" UNF. ...	2	
A14	1205530	TAIL PIPE—R.H.D. ...	1	{ See Note 1 } { See Note 2 } Page 186 { See Note 3 } { U.S.A. and Canada—See Note 1—Page 186
A15	1205529	Tail Pipe—L.H.D. ...	1	
	1205742	Tail Pipe—L.H.D.—Without Side Door Step ...	1	
	1214205	Tail Pipe—L.H.D.—With Side Door Step ...	1	
	1205742	Tail Pipe—L.H.D. ...	1	
	1205741	Hanger Bracket—Tail Pipe—Rear ...	1	
A16	9181030	Clip ...	1	
A17	19105221	Bolt—½" UNF. × 2½" ...	1	
A18	9067023	Washer—½" plain ...	2	
A19	9510050	Nut—½" UNF. ...	1	
A20	1203699	Clip ...	1	
A21	9664242	Washer—1" shakeproof ...	2	
A22	9510060	Nut—1" UNF. ...	2	
A23	1205534	Hanger Assembly—Tail Pipe ...	1	
A24	P.102431	Support Rubber ...	1	
A25	9067029	Washer—1" plain ...	2	
A26	9660201	Washer—1" spring ...	2	
A27	9510050	Nut—1" UNF. ...	2	

EXHAUST SYSTEM

Plate Ref.	Part Number	DESCRIPTION	No. per Veh.	REMARKS
		<p>Note 1. Used prior to Notes 2 and 3.</p> <p>Note 2. Used on and after Chassis Nos. 1500/-/220259; CKD 1500/-/72341.</p> <p>Note 3. Used on and after Chassis Nos. 1500/-/012360; CKD 1500/-/72005.</p> <p>Note 4. Two Types of Silencers may be fitted against the Listed Part Numbers (Oval or Round Section). They are completely interchangeable—this is caused by alternative supply arrangements.</p> <p>Note 5. Introducing Additional Support to the Exhaust Pipe at the Manifold End to reduce vibration. Fitted on and after Chassis Nos.—Export 223860-8.</p> <p>Note 6. Used on and after Engine No. 7050014.</p> <p>Special Note A. When fitting late type Exhaust Pipe Assembly customers must also order and fit Exhaust Manifold Part No. 5034623—See Engine (Motor) Auxiliaries—Diesel 4-99.</p>		

ELECTRICAL EQUIPMENT

ELECTRICAL EQUIPMENT

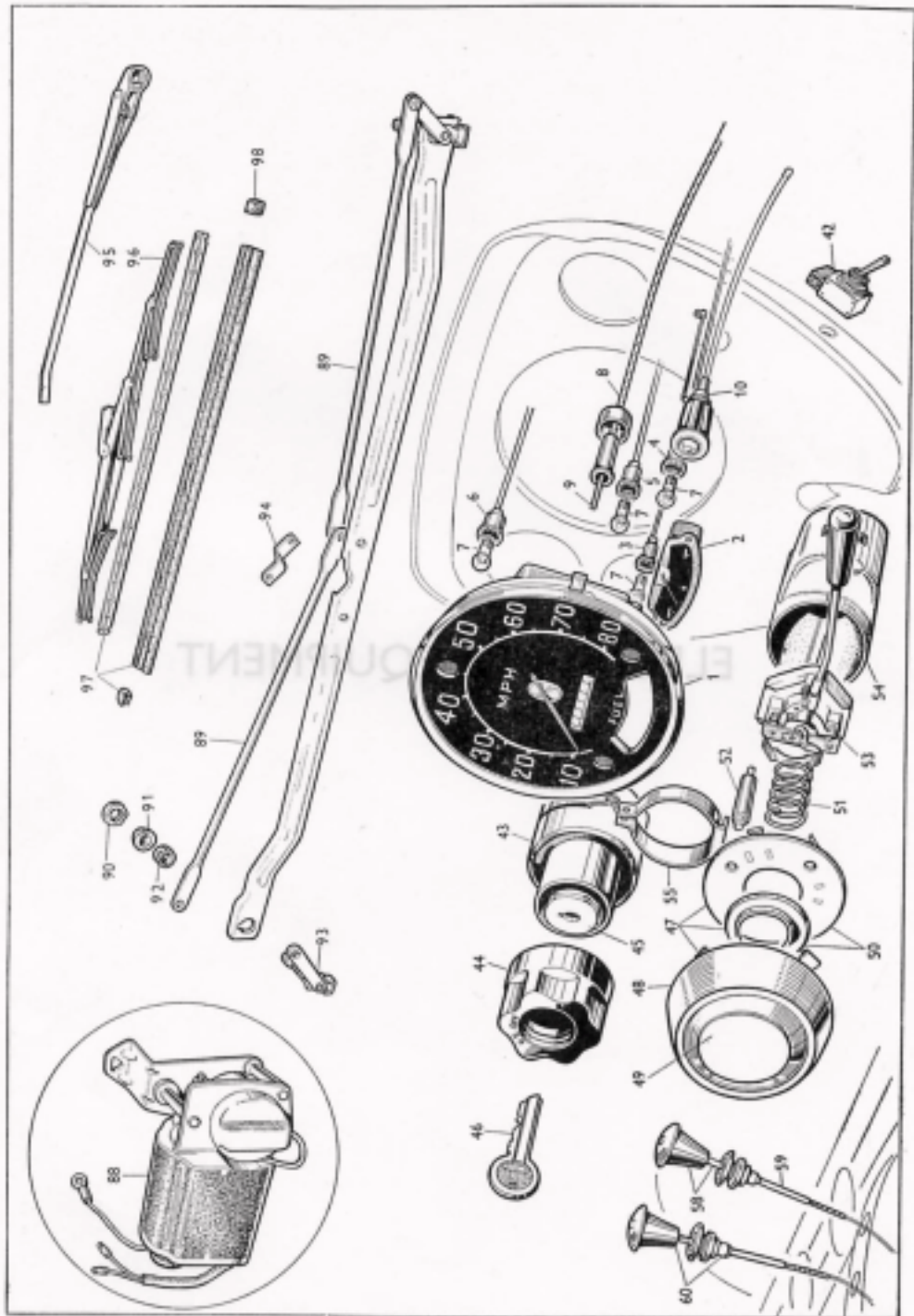


PLATE A

ELECTRICAL EQUIPMENT

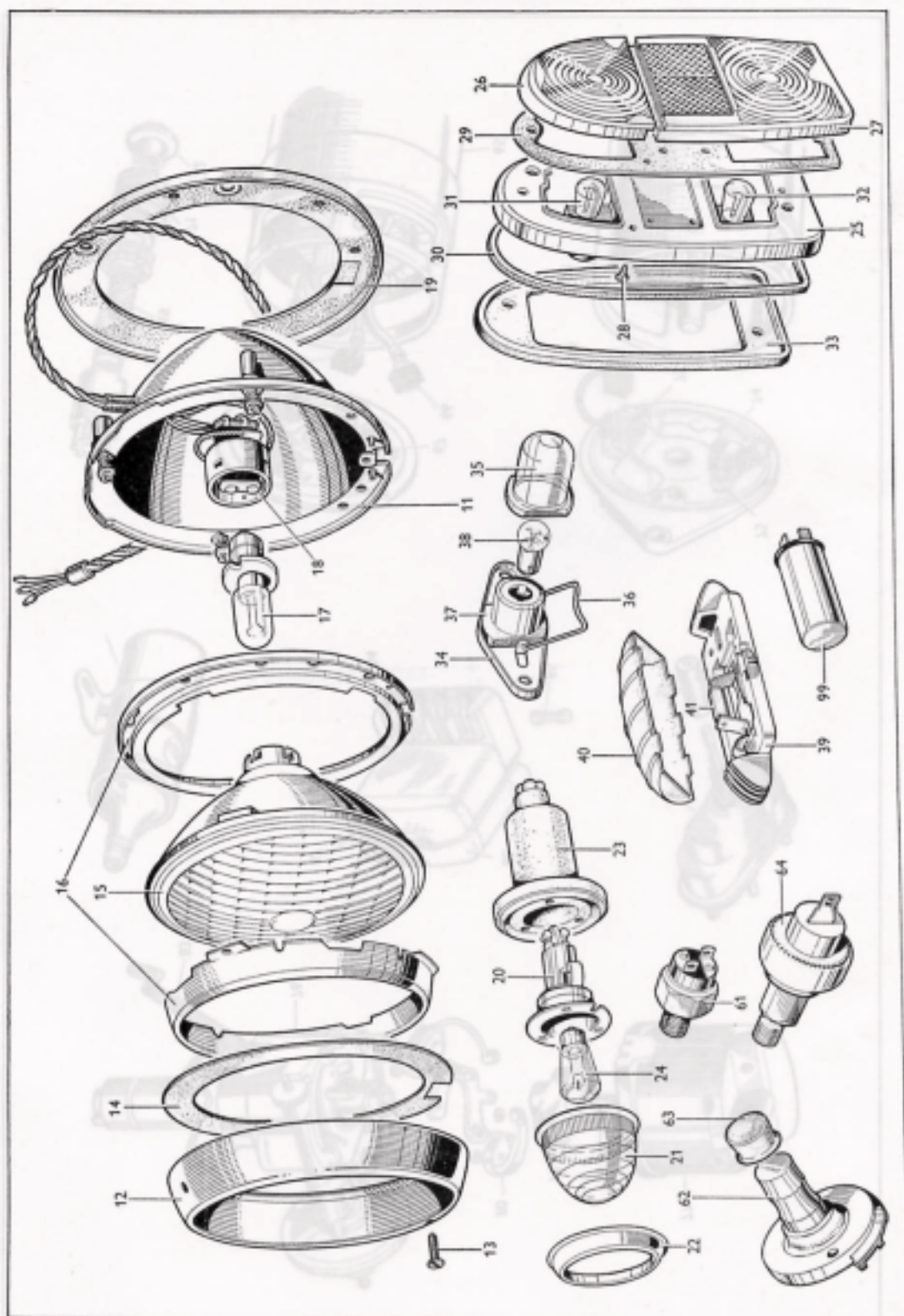


PLATE B

ELECTRICAL EQUIPMENT

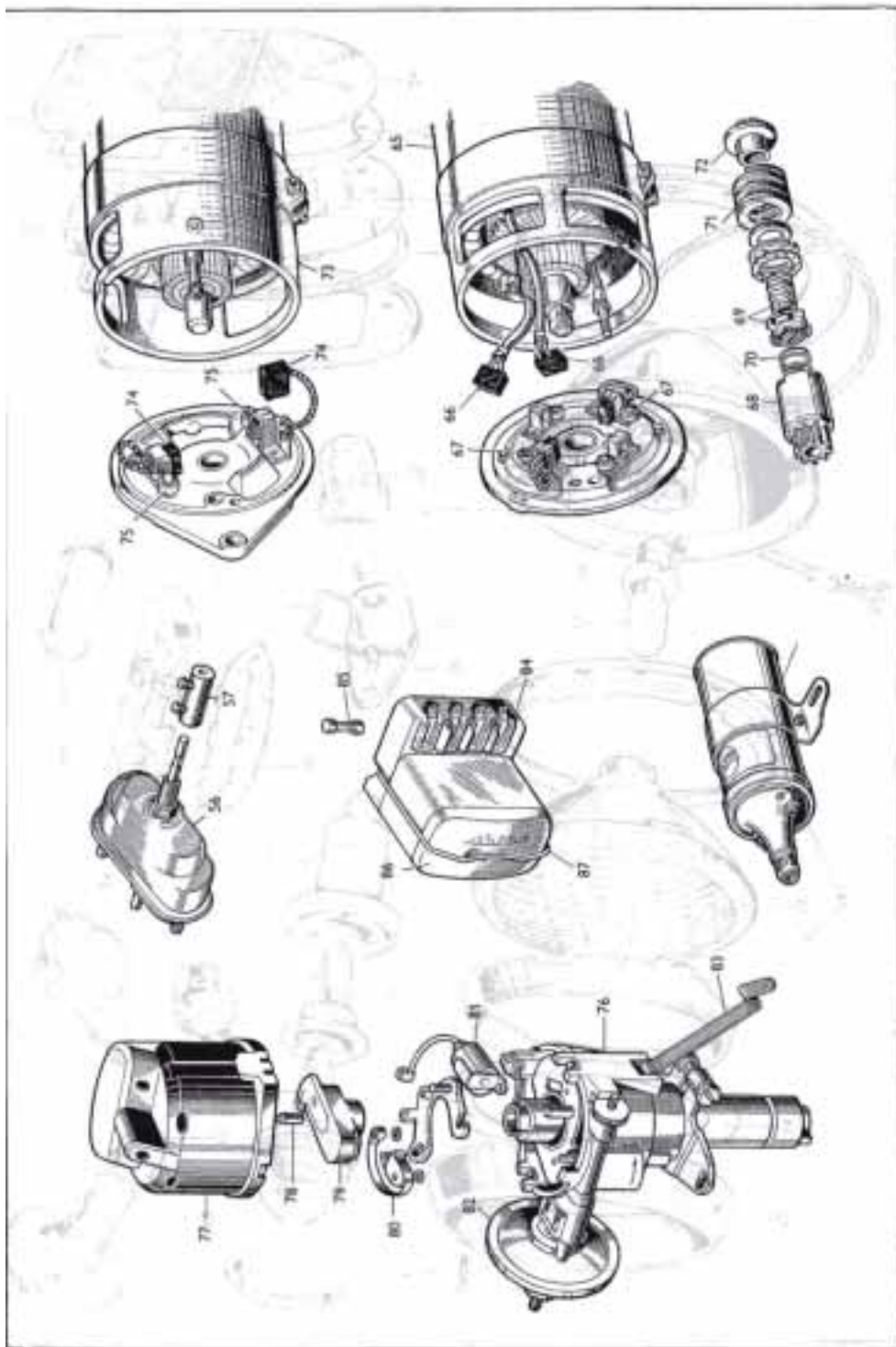


PLATE C

ELECTRICAL EQUIPMENT — INSTRUMENTS

Plate Ref.	Part Number	DESCRIPTION	No. per Veh.	REMARKS
A1	5037913	INSTRUMENT PANEL		See Body—Front Panel Less Petrol (Fuel) Gauge and Bulb Holder
	5037914	SPEEDOMETER—M.P.H. Smith SN.4452/02	1	
A2	5037915	Speedometer—K.P.H. SN.4452/03	1	See Note 1 See Note 1 Not supplied See Note 2
		Petrol (Fuel) Gauge (Calibrated in Gallons) FG.6234/10	1	
		Petrol (Fuel) Gauge (Calibrated in Litres) FG.6234/12		
	5040308	Petrol (Fuel) Gauge (Calibrated "E, 1, 1, 1, F") FG.6234/13	1	
A3	5038008	Bulb Holder c/w Wires—Oil Warning 41-761-111-41	1	
A4	5038009	Bulb Holder c/w Wires—Ignition Warning 41-761-111-46	1	
A5	5038010	Bulb Holder c/w Wires—Illumination 41-761-109-13	2	
A6	5037916	Bulb Holder c/w Wires—Flasher Indicator 41-761-111-39	1	
A7	K.26785	Bulb 987	5	
A8	1046776	SPEEDOMETER CABLE DF.1104/00/120	1	
A9	5037821	Inner Cable } R.H.D. DL.1110/00/120	1	
	1046775	Speedometer Cable } L.H.D. DF.1104/00/129	1	
	5037822	Inner Cable } DL.1110/00/129	1	
A10	1205020 (1203591)	HEADLAMP MAIN BEAM WARNING LIGHT Lucas 54360191	1	U.S.A., Switzerland and Canada only
	1203591	Headlamp Main Beam Warning Light WL.15-54360500	1	
	K.26644	Bulb 281	1	
	39822061	Screw } Headlamp Warning Beam	1	N. America and Switzerland
	9663112	Washer } Earth Lead Fixing to L.H.	1	
	9550020	Nut } Diaphragm Parcel Tray	1	
		Plug Button		See Body—Front Panel
		Bezel Instrument Panel		
		Plaque		
		AMMETER		See Special Accessories
		OIL PRESSURE GAUGE		
	5200282 (1216896)	THERMOMETER		See Note 3
		Note 1. Petrol (Fuel) Gauge Calibrated in gallons/litres—fitted to early vehicles. When Petrol (Fuel) Gauge calibrated in litres is required use 5040308 referred to in Note 2.		
		Note 2. Petrol (Fuel) Gauge Calibrated "E, 1, 1, 1, F"—fitted to later vehicles.		
		Note 3. Standard fitment—Finland. See Special Accessories for all other Territories.		

ELECTRICAL EQUIPMENT — LAMPS

Plate Ref.	Part Number	DESCRIPTION	No. per Veh.	REMARKS
B11-B19	P.45474	HEADLAMP (Dip Left) Lucas F.700-51736	2	Home and Export—R.H.D. Export—L.H.D. Export—Special Order only Germany only } Not U.S.A. & Canada } supplied
	1201942	Headlamp (Dip Right) F.700-58270	2	
	P.45475	Headlamp (Dip Vertical) F.700-51738	2	
		Headlamp—Incorporating Pilot FP.700-58871		
		Headlamp—Fitting only F.700-58493		
B12	K.22730	Rim 554440	2	
B13	9050042	Screw—2 BA—Rim Fixing 198898	2	
B14	1046937	Dust Excluder—Rubber 552906	2	
B15	K.22732	Reflector and Glass (Lens) Assembly 553921	2	For P.45474 Headlamp
	5037060	Reflector and Glass (Lens) Assembly 54522683	2	For 1201942 Headlamp
	K.22745	Reflector and Glass (Lens) Assembly 553940	2	For P.45475 Headlamp
		Reflector and Glass (Lens) 54520148		Sweden—Not supplied
B16	K.23108	Rim Assembly—Inner 554872	2	
B17	5037048	Bulb—12 v. 50 w. and 40 w. Double Filament—L.H. Dip 414	2	For P.45474 Headlamp
	5037063	Bulb—12v. 45/40w. "Duplo-D" Asymmetrical Beam (Clear) 410	2	For 1201942 Headlamp
	K.29072	Bulb—Dip Vertical—12 v. 45 w. and 50 w. 370	2	For P.45475 Headlamp
		Bulb—12 v. 45/40w. "Duplo-D" Asymmetrical Beam (Yellow) 411		France—Not supplied
B18	K.22756	Adaptor Assembly 554602	2	For P.45474 and P.45475 Headlamp
	5037061	Adaptor Assembly 553738	2	For 1201942 Headlamp
B19	P.45479	Body Gasket—Rubber 555415	2	
		Headlamp—Sealed Beam—Fitting only F.700-58872		{ N. America—Prior to Chassis No. 234377— Not supplied
		Headlamp—Sealed Beam—Fitting only F.700-59215		{ N. America—On and after Chassis No. 234377— Not supplied
	5037060	Headlamp FP.700-59328	2	Eire only—Not supplied
	1046741	Light Unit 54522683	2	Continental Lighting (French)
	1046460	Bulb—12v. 45/40w. "Duplo-D" Asymmetrical Beam (Yellow) 411	2	
	1046461	Bulb Holder 552943	2	
	39403070	Cable Assembly 861846	2	
	P.44863 (9179275)	Screw—No. 10 UNF. $\times \frac{1}{4}$ "—Headlamp to Front Panel	6	
	39303080	Clip—Earthing Headlamp	2	
	9661121	Screw—No. 10 UNF. $\times \frac{1}{2}$ " panhead } Clip	1	
	P.46259	Washer— $\frac{1}{8}$ " spring	1	
B20-B24		SIDE AND FLASHER LAMP Lucas 594-52403	2	Not supplied for N. America See Note 1—Page 194
B21	K.29739	Glass (Lens) 576993	2	
B22	K.26617	Rim 572734	2	
B23	K.29738	Rubber Body 576105	2	
B24	K.26781	Bulb—12 v. 21/6 w. 380	2	
	9732083	Screw—No. 6 $\times \frac{1}{2}$ " } Side Lamp to	6	
	9020010	Spire Nut ... } Front Panel	6	
		SIDE AND FLASHER LAMP 52716		{ N. America only— Not supplied
	1800258	FLASHER LAMP—FRONT—Amber Lens 52574	2	Germany and Eire only
	3058199	SIDE LAMP Lucas L.691-52777	2	
	5043854	Glass (Lens)—Clear 54572775	2	
	5040155	Screw } Glass (Lens) 54111111	4	
	9122009	Washer } Fixing 161385	4	
	5039493	Gasket—Glass (Lens) Seating 54572200	2	See Note 2— Page 194
	K.26068	Bulb Holder 573832	2	
	5039494	Gasket—Lamp Seating 54572755	2	
	K.26794	Bulb—12 v. 6 w. L.207	2	
	9732083	Tapping Screw—No. 6 $\times \frac{1}{2}$ " } Side Lamp to	6	
	9020034	Spire Nut ... } Front Panel	6	

ELECTRICAL EQUIPMENT—LAMPS

Plate Ref.	Part Number	DESCRIPTION	No. per Veh.	REMARKS
	308200	FLASHER LAMP—FRONT	L.601-52773	
	5039497	Glass (Lens)—Amber	54572776	
	5040155	Screw } Glass (Lens)	54111111	
	9122009	Washer } Fixing	161385	
	5039493	Gasket—Glass (Lens) Seating	54572200	
	K.20068	Bulb Holder	573832	
	5039494	Gasket—Lamp Seating	54572755	
	K.26796	Bulb—12 v. 21 w.	L.382	
	9712083	Tapping Screw—No. 6 } Flasher Lamp to		
	9029034	Spare Nut } Front Panel		
H25-B35	F.46129	STOP, TAIL AND FLASHER LAMP	572-53640	
H26	K.26207	(5043451) Glass (Lens)—Flasher	576588	Used prior to Chassis
H27	K.26208	Glass (Lens)—Stop Tail	576588	Nos. 235895—
H28	K.26813	Screw—Glass (Lens) Fixing	198924	CKD 278497
	5043451	Glass (Lens)—Flasher—Amber	54575477	
	5043450	Glass (Lens)—Stop Tail—Red	54575476	Used on and after
	5043452	Screw	54111831	Chassis Nos. 235895—
	5043453	Washer } Glass (Lens) Fixing	168341	CKD 278497
	5043454	Nut }	54131219	
H29	K.26209	Gasket—Glass (Lens)	576582	
	K.20068	Interior Bulb Holder—Flasher	573832	
	5040911	Interior Bulb Holder—Stop Tail	573828	
H30	K.25496	Gasket—Lamp to Panel	575769	
H31	K.26796	Bulb—Flasher—12 v. 21 w.	382	
H32	K.26781	Bulb—Stop Tail—12 v. 21/6 w.	380	
H33	K.20814	Gasket—Lamp Mounting	573311	
	5043455	Grommet—Cable Entry	199001	
		STOP, TAIL AND FLASHER LAMP	572-53754	
		Glass (Lens)—Stop Tail	576588	
		Glass (Lens)—Flasher (Red)	54570235	
		Gasket—Glass (Lens)	576582	Not supplied—
		Screw—Glass (Lens)	198924	N. America only—
		Gasket—Lamp to Wing (Fender)	575769	Early Condition
		Bulb—Stop Tail—12 v. 21/6 w.	380	
		Bulb—Flasher—12 v. 21 w.	382	
		Gasket—Lamp Mounting	573311	
		STOP TAIL LAMP	L.602-53955	
		Body	54572665	
		Glass (Lens)—Red	54572774	
		Screw } Glass (Lens) } Alternative	54110851	Not supplied—
		Screw } to Body }	54111111	N. America only—
		Washer—Rubber—Screw	161385	Late Condition
		Gasket—Glass (Lens) Seating	54572200	
		Gasket—Body Seating	54572755	
		Bulb—12 v. 6/21 w.	L.380	
	960021	Nut } Lamp to		
	9067008	Washer } Pinch		
		FLASHER LAMP—REAR	L.602-53957	
		Body	54572734	
		Glass (Lens)—Red	54572777	
		Screw } Glass (Lens) } Alternative	54110851	Not supplied—
		Screw } to Body }	54111111	N. America only—
		Washer—Rubber—Screw	161385	Late Condition
		Gasket—Glass (Lens) Seating	54572200	
		Gasket—Body Seating	54572755	
		Bulb—12 v. 21 w.	L.382	
	960051	Nut } Lamp to		
	9067008	Washer } Pinch		

ELECTRICAL EQUIPMENT — LAMPS

Plate Ref.	Part Number	DESCRIPTION	No. per Veh.	REMARKS
		REFLECTOR—REAR REFLEX—Type RER.22 57098	2	Not supplied— N. America only— Late Condition
	9772125	Tapping Screw—No. 6 × 1" } Reflector to Plinth	2	
	9772088	Tapping Screw—No. 6 × 1" } Reflector to Plinth	2	
	5220709	Spring Nut	4	
	3055318	Plinth—Rear Lamps—O.S. (R.H.)	1	
	3055319	Plinth—Rear Lamps—N.S. (L.H.)	1	
	3022572	Bulb—Coath—1" UNC. × 1 1/2"	4	
	9067039	Distance Piece—Tab	4	
	3023876	Distance Piece—Bar } Alternative Plinth to	4	N. America only— Late Condition
	9067057	Washer—1/4" plain } Rear Corner	4	
	960141	Washer—1/4" spring } Panel and	4	
	9550040	Nut—1" UNC. } Cover Plate	4	
	3023468	Cover Plate	2	
	3023306	Bead—Plinth to Rear Corner Panel	A/R	
134-B38	P.44952	REAR NUMBER PLATE LAMP	1	
B35	K.22773	Glass (Lens)	1	
B36	K.22774	Clip	1	2 nil for Germany only
B37	K.22775	Gasket	1	
B38	K.26780	Bulb—12 v. 6 w.	1	
	4850362	Screw—No. 10 UNF. × 1" } Lamp to	2	4 off for Germany only
	960121	Washer—1/4" spring } Number Plate	2	
		REVERSING LAMP		See Special Accessories
		SPOT LAMP		
		FOG LAMP		
139-B41	P.46162	INTERIOR LAMP	1	
B40	K.29856	Cover	1	Driver's Compartment
B41	K.26795	Bulb—12 v. 6 w.—Festoon	254	
	9732104	Tapping Screw—No. 6 × 1"—Lamp Fixing	2	
	P.46162	INTERIOR LAMP	4	
	K.29856	Cover	4	Carpenter and Contractor's Bus—Rear Compartment
	K.26795	Bulb—12 v. 6 w.—Festoon	254	
	9772126	Tapping Screw—No. 6 × 1"—Lamp Fixing	8	
	1066908	INTERIOR LAMP	4	
	5038060	Cover	4	12-Seat Bus and Station Wagon—Rear Compartment
	K.26795	Bulb—12 v. 6 w.—Festoon	254	
	9772126	Tapping Screw—No. 6 × 1"—Lamp Fixing	8	
		Note 1. Used with Front Panel Lower 221945 prior to introduction Nos. listed in Note 2.		
		Note 2. Used with Front Panel Lower 302376 on and after Chassis Nos.:— 1500/-, 341978 - 343982/3 - 345986 - 343988 - 345990 - 343994 - 343996/344001 - 344004/344010 - 344012/344019 - 344022 - 344024/5 - 344027 344032/4 - 344037/8 - 344040 - 344061 onwards CKD (Pack No. 2388) 1500/-/380867.		

ELECTRICAL EQUIPMENT — SWITCHES AND CONTROLS

Plate Ref.	Part Number	DESCRIPTION	No. per Veh.	REMARKS
A42	1046906 (1800249)	SCREEN WIPER SWITCH	1	
	1046906 (1800249)	INTERIOR LAMP SWITCH—for Rear Compartment... ..	1	12-Seat Bus and Station Wagon
A43	5037674	IGNITION AND LIGHTING SWITCH ... Lucas PRS.3-31958	1	
A44	K.22199	Knob—Ignition and Lighting Switch 316285	1	
A45	P.45185 (5220790)	Ignition Barrel Lock } FP Series } Applicable to Both	1	When ordering always quote numbers stamped on lock
A46	H.111745	Key } —Petrol } 5031114 and 1205021	2	
	9101011	Plug Button—Lighting Switch	1	
	1205021	STARTER, HEATER AND AUXILIARY SWITCH Lucas 705A-31829	1	Diesel
	1205022	Escutcheon Plate—Switch	1	
A47-A52	1202072	HORN PUSH 33554	1	
A48	5037838	Moulding—Horn Push Knob 54300252	1	
A49	K.29817	Knob—Horn Push 331445	1	
A50	K.24485	Contact Set c/w Screws 331430	1	
A51	K.24486	Centre Spring 331372	1	
A52	K.24487	Contact Plunger 331397	1	
A53	1202073 (1218171)	FLASHER SWITCH 375A-31903	1	
A54	1202074	Casing—Flasher Switch	1	
A55	1200399 (1228256)	Striker Ring	1	Early Condition
	39403101	Screw—No. 10 UNF. $\times \frac{1}{4}$ "	1	
	9660121	Washer— $\frac{1}{8}$ " spring	1	} Striker Ring to Steering Column
	9510030	Nut—No. 10 UNF.	1	
	1228256	Striker Ring	1	
	39811081	Screw } Striker Ring to	1	Late Condition
	9550011	Nut } Steering Column	1	
C56	P.44685	STARTER SWITCH Lucas ST.19/2-76423	1	
C57	P.44685	Coupling—Starter Switch 764466	1	
	2204386	Bracket—Starter Switch	1	
	19503031	Screw—No. 10 UNF. $\times \frac{1}{4}$ "	2	Petrol—See Note 1—Page 196
	9067010	Washer— $\frac{1}{8}$ " plain	2	
	9663122	Washer— $\frac{1}{8}$ " shakeproof	2	} Fixing Bracket to Valance Panel
	9510030	Nut—No. 10 UNF.	2	
	5037655	STARTER SWITCH 76438	1	Petrol—See Note 2—Page 196—Early Condition
	5037656	Starter Switch Knob 764505	1	
	1046474	Terminal Cap—Rubber—Starter Switch 860556	1	
	1800027 (1205458)	STARTER SWITCH—NON-LUCAR—PUSH BUTTON TYPE Lucas 31071	1	
	1205458	Starter Switch—Lucar—Push Button Type 34278	1	
	1046629	Solenoid Starter 76445	2	Petrol Models—Late Condition
	39303080	Screw—No. 10 $\times \frac{1}{4}$ "	2	
	9660121	Washer— $\frac{1}{8}$ " spring	2	} Solenoid to Lower Valance
	9067095	Washer— $\frac{1}{8}$ " plain	2	
	9510031	Nut—No. 10	2	
		STARTER CONTROL ASSEMBLY—PETROL—R.H.D.	1	Not supplied
A58	5037698	Knob and Wire	1	
A59	5037699	Body and Tube	1	See Note 1—Page 196
		Starter Control Assembly—Petrol—L.H.D.	1	
	5037700	Knob and Wire	1	
	5037701	Body and Tube	1	
	1800557	RELAY UNIT—STARTING AID	1	
	39303080	Screw—No. 10 $\times \frac{1}{4}$ "	2	Home Diesel Models only
	9067064	Washer— $\frac{1}{8}$ " plain	2	
	9660121	Washer— $\frac{1}{8}$ " spring	2	} Not used on later Models
	9510031	Nut—No. 10	2	
A60		CHOKE CONTROL ASSEMBLY—PETROL	1	See Accelerator Controls
		ENGINE STOP CONTROL—DIESEL	1	

ELECTRICAL EQUIPMENT — SWITCHES AND CONTROLS

Plate Ref.	Part Number	DESCRIPTION	No. per Veh.	REMARKS
B61	1046531	BRAKE STOP LIGHT SWITCH Lucas HL.2-31802	1	
B62	1046553	FOOT DIPPER SWITCH 21SA-31800	1	
	9056026	Screw—No. 8 × 1"—Switch fixing	2	
B63	1046646	Rubber Cover—Foot Dipper Switch 54331425	1	
B64	P.46375 (1046375)	OIL PRESSURE UNIT	1	Petrol Models
	5037979	Oil Pressure Unit	1	Diesel Models
		Note 1. Used prior to Chassis Nos. listed in Note 2.		
		Note 2. Used on and after Chassis No. : R.H.D., 1500/- 001596-002019-002045-002057-002066/002067-002096/ 002097-002119/002120-002122-002129-002135-002143/ 002144-002148/002149-002154-002156/002157-002159/ 002160-002168-002173. L.H.D., 1500/-/001858-001887. Export, CKD 1500/-/ 70181.		

ELECTRICAL EQUIPMENT — STARTER MOTOR

Plate Ref.	Part Number	DESCRIPTION	No. per Veh.	REMARKS	
C65-C72	P.44447	STARTER MOTOR Lucas M.35G/1-25079	1	Petrol Models—See Note 1—Page 198	
C66	K.20251	Brushes (Set of 4) 251108	1		
C67	K.20252	Brush Spring (Set of 4) 251109	1		
C68	K.20253 (5039533)	Pinion and Barrel 250698	1		
C69	K.21469	Control Nut and Sleeve 250716	1		
C70	K.20254	Pinion Retaining Spring 250691	1		
C71	K.20255	Main Spring 250404	1		
C72	K.15494	Nut—Armature Shaft 291969	1		
	1046712	STARTER MOTOR M.45G-DC.136-26170	1		Diesel Models—Standard—See Note 1—Page 198
	K.26231	Brushes (Set of 4) 271735	1		
	5037790	Brush Spring (Set of 4) 54251042	1		
	5039313	Drive Assembly 292148	1		
	K.29619	Solenoid 76458	1		
	K.26230	Band Cover Assembly 272396	1		
	1046474	Terminal Cap—Rubber—Starter Switch 858266	1		
	1046615	STARTER MOTOR CAV-CA.45C-12/4	1		
	5038333	Pinion 5933/332B	1		
	5030781	Return Spring—Pinion 5933/125	1		
	5038354 (5041273)	Key—Set 5933/268	1		
	5038355	Clip—Sleeve 5933/375	1		
	9187004	Steel Ball 1	1		
	5038325	Spring—Lock 5933/508	1		
	9205010	Circlip—Trip Collar 5876/51	1		
	9071122	Shim Washer—008" 5936/17	1		
	5038326	Cover Band 5933/235	1		
	39033141	Screw—2 BA × 1" } Cover Band Clamp	1		
	9067399	Washer— $\frac{3}{8}$ " plain } 1	1		
	5030786	Nut 1	1		
	5038329	Brush and Tag 5933/337	4		
	5038330	Spring—Brush 5933/336	4		
	5038331	Spring—Shaft 5933/509	1		
	9187008	Steel Ball 1	1		
	5038328	Resistor 5933/361	1		
	5038327	Solenoid Assembly 5933/326	1		
	9227115	Lucar Connector—14 amp.—Male Lucas 54190038	1	See Note 2—Page 198	
	5037287	Lucar Connector—35 amp.—Male Lucas 54190014	1		
	1800682	STARTER MOTOR CAV-CA.45D 12/4 1320045	1	Diesel Models—Heavy Duty—Special Order only—Used prior to Chassis No. 338500—CKD 339337—See Note 1—Page 198	
	5042381	Band Cover Assembly 6010-8D	1		
	5042382	Screw 5335-757	1		
	5030786	Nut 5462-127	1		
	5042383	Bearing—Commutator End 5933-603	1		
	5038330	Spring—Brush 5933-336	4		
	5042384	Brush—Set 6068-28	1 set		
	5042385	Resistor 6211-46	1		
	5042386	Rivet 5336-257	1		
	5042387	Bush } Resistor 5887-117	1		
	5042388	Spacer 5933-287	1		
	5042389	Solenoid Assembly 6211-39	1		
	5042390	Through Bolt 5933-147	2		
	5042391	End Cap Assembly 5933-936	1		
	5042393	Clip—End Cap Retaining 5933-64C	1		
	5042394	Thrust Washer—Plain—036" 5936-163	A/R		
	9071122	Shim Washer—008" 5936-17	A/R		
	5042395	Shim Washer—012" 5936-17A	A/R		
	5042396	Thrust Washer—Tabbed 5933-510	1		
	5042397	Steel Ball NC.7-7	1		
	5042398	Circlip—Trip Collar 6211-168	1		
	5042399	Trip Collar 6211-111	1		
	5038325	Locking Spring 5933-508	1		
	5042400	Locking Collar 5933-295A	1		

ELECTRICAL EQUIPMENT — DYNAMO

Plate Ref.	Part Number	DESCRIPTION	No. per Veh.	REMARKS
		STARTER MOTOR—continued		
5042402		Pinion 6211-66D	1	Diesel Models— Heavy Duty— Special Order only—Used on and after Chassis No. 338500—CKD 339337— See Note 1—Page 198
5042404		Cover—Spring 6211-91A	1	
5042406		Spring—Pinion 6211-70	1	
5042408		Shim Washer } Pinion 5936-16A	1	
5042409		Thrust Washer } Stop Nut 5936-294	1	
5042410		Nut—Pinion Stop 5330-416	1	
1800274		STARTER MOTOR Lucas M.35 G/1-25085	1	All Petrol Models for N. America only— See Note 1—Page 198
K.20251		Brushes (Set of 4) 251108	1	
5038067		Brush Spring (Set of 4) 251942	1	
K.20255		Main Spring 250404	1	
5039533		Pinion and Barrel 54252212	1	
5039534		Screwed Sleeve 250696	1	
1800314		STARTER MOTOR Lucas M.35G-1-25038	1	
K.15489		Band Cover Assembly 250322	1	
5043456		Screw 127584	1	
5043457		Nut 169160	1	
K.10380		Bolt 228335	2	
K.20251		Brushes—Set 251108	1	
K.20634		Drive Assembly 291380	1	
K.15011		Pinion and Barrel 291101	1	
K.15012		Ring—Barrel Retaining 255815	1	
K.20759		Spring—Main 291043	1	
5043458		Spring—Pinion Retaining 291541	1	
5043459		Sundry Parts Set 256762	1	
		Starter Switch		See Switches and Controls—Page 194
		Starter Motor Fixings		See Engine (Motor) Auxiliaries— Petrol and Diesel
1800680		STARTER SOLENOID Lucas 12v.-2ST-76731	1	Diesel Models—Used in conjunction with Late Type Starter 1800682—From Chassis No. 338500—CKD 339337—See Note 1, Page 198
39033080		Screw—2 BA × 1/2"	2	
9660121		Washer—1/2" spring	2	
9067094		Washer—1/2" plain } Solenoid Fixing	2	
9600521		Nut—2 BA plain	2	
3021561		Stiffener	1	
		Note 1. A Replacement Starter Motor is obtainable from Messrs. J. Lucas Limited, in part exchange for the original.		
		Note 2. Used prior to the introduction of Cable Assembly 3021570—See Page 206.		

ELECTRICAL EQUIPMENT—DYNAMO

Plate Ref.	Part Number	DESCRIPTION	No. per Veh.	REMARKS
C73-C75	1046668	DYNAMO (Generator) Lucas C40/1-22700	1	} Petrol and Diesel Models —Standard— See Note 1
C74	5037543	Brushes (Set of 2) 227541	1	
C75	5037544	Brush Springs (Set of 2) 227542	1	
	9188002	Bearing—Drive End 189307	1	
	9200034	Bushing—Commutator Bracket 227818	1	
	1205501	DYNAMO (Generator) Lucas C40L 22716	1	} Used on and after Chassis Nos.: Petrol 224756; Diesel 340038—Special Order only—See also Notes 1 and 2
	5037543	Brush Set 227541	1	
	5037544	Brush Spring Set 227542	1	
	9188002	Bearing—Drive End 189307	1	
	9200034	Bushing—Commutator Bracket 227818	1	
	1046953	DYNAMO (Generator) Lucas C.45 PV.6-22530	1	} Diesel—Heavy Duty— Special Order only— See Note 1
	5037375 (5038956)	Brush Set 54210090	1	
	5037376	Brush Spring Set 54210091	1	
	9200042	Bushing—Commutator Bracket 239263	1	
	P.40894 (9188004)	Bearing—Drive End 189308	1	
	5030235	Oiler 239368	1	
		Dynamo Pulley and Fixings		} See Engine (Motor) Auxiliaries Petrol and Diesel
		Note 1. A Replacement Dynamo is obtainable from Messrs. J. Lucas Limited, in part exchange for the original.		
		Note 2. Used also for Special Order only for N. America, and Associated British Foods. Particular attention must be paid to the fitting of the correct Dynamo (Generator) Pulley and Support Bracket. Control Box 1800547 must also be used in conjunction with the above Dynamo (Generator) 1205501.		

ELECTRICAL EQUIPMENT — IGNITION — PETROL MODELS

Plate Ref.	Part Number	DESCRIPTION	No. per Veh.	REMARKS
C76-C83	1203166 (1215505)	DISTRIBUTOR Lucas DM.2 P.4-40682B	1	Horizontal Outlet— Early Condition— See Note 1—Page 201
C77	K.23440 (5040629)	Top Cover 418871	1	
C78	K.22438	Carbon and Spring 418856	1	
C79	K.24988	Rotor Arm 400051	1	
C80	K.25986	Contact Set 423153	1	
C81	K.25987	Condenser 423871	1	
C82	K.26094 (5038142)	Vacuum Unit 421948	1	
C83	5037524	Cover Clip 421824	2	
	5037291 (9227111)	Lucas Connector—Male 54190096	1	
	1214397 (1215505)	DISTRIBUTOR Lucas DM.2 P.4-40765A	1	
	K.28837 (5040360)	Top Cover 418865	1	
	K.22438	Carbon and Spring 418856	1	
	K.24988	Rotor Arm 400051	1	
	K.25986	Contact Set 423153	1	
	K.25987	Condenser 423871	1	
	5038142	Vacuum Unit 421948	1	
	5037524	Cover Clip 421824	2	
	5037291 (9227111)	Lucas Connector—Male 54190096	1	
	9119506	Cover—Distributor 5	5	
	19604051	Bolt— $\frac{1}{4}$ " UNC. \times $\frac{1}{4}$ " } Distributor... .. 2	2	
	9086003	Washer— $\frac{1}{4}$ " spring } to Bracket 2	2	
	1215505	DISTRIBUTOR Lucas 25D4-40797	1	
	5040360	Top Cover 54414513	1	
	K.22438	Carbon and Spring Assembly 418856	1	
	5220172	Terminal (Acorn) Nut 410600	5	
	K.24988	Rotor Arm 400051	1	
	K.25986	Contact Set 423153	1	
	K.25987	Condenser 423871	1	
	5034142	Vacuum Unit 54410946	1	
	5037985	Driving Dog 420620	1	
	5040609	Terminal—Bush and Lead 54413549	1	
	5037524	Clip—Top Cover Retaining 421824	2	
	K.25506	Clamping Plate 421191	1	
	1229676	DISTRIBUTOR Lucas 25D4-41041A	1	
	K.24988	Rotor Arm 400051	1	
	K.25986	Contact Set 423153	1	
	K.25987	Condenser Assembly 423871	1	
	5043708	Clamping Plate Assembly 420151	1	
	5043709	Top Cover Assembly 54417214	1	
	K.22438	Carbon and Spring 418856	1	
	5040609	Terminal—Bush and Lead—Low Tension 54413549	1	
	5037524	Clip—Top Cover 421824	2	
	5037985	Driving Dog 420620	1	
	5038142	Vacuum Unit 54410946	1	
	19604051	Bolt— $\frac{1}{4}$ " UNC. \times $\frac{1}{4}$ " } Distributor... .. 1	1	
	9086003	Washer— $\frac{1}{4}$ " spring } to Bracket 1	1	
C83/1	P.45658 (5030856)	IGNITION COIL Lucas HA.12-45075D	1	
	K.12519 (9227201)	Acorn Nut 408120	1	
	P.44927	Spring Washer 185015	1	
	1800915	IGNITION COIL Lucas HA.45178A	1	
	5037291	Lucas Connector—Male 54190096	2	
	9119570	Cover—Coil 1	1	
	P.56184 (9227015)	SPARKING PLUG 4	4	
	9077608	Copper Washer 4	4	
	P.100892	High Tension Cable A/R	A/R	
	1218400 (1228571)	Ignition Cable—No. 1 1	1	
	1218401 (1228572)	Ignition Cable—No. 2 1	1	
	1218402 (1228573)	Ignition Cable—No. 3 1	1	
	1218403 (1228574)	Ignition Cable—No. 4 1	1	

ELECTRICAL EQUIPMENT — IGNITION — PETROL MODELS

Plate Ref.	Part Number	DESCRIPTION	No. per Veh.	REMARKS
	1228571	Ignition Cable—No. 1—13" long	1	} See Note 4—Page 201
	1228572	Ignition Cable—No. 2—10½" long	1	
	1228573	Ignition Cable—No. 3—7½" long	1	
	1228574	Ignition Cable—No. 4—8" long	1	
	1228570	Ignition Cable—Coil to Distributor—8½" long	1	
	5220937	Ignition Cable—No. 1—13" long	1	} Push-on Cables—See Note 5 —Page 201
	5220938	Ignition Cable—No. 2—10½" long	1	
	5220939	Ignition Cable—No. 3—7½" long	1	
	5220940	Ignition Cable—No. 4—8" long	1	
	5220943	Ignition Cable—Coil to Distributor—8½" long	1	
	P.42712	Terminal—Cable	4	} See Note 2—Page 201
	9119540	Cover—Plug	4	
		Note 1. Replacement Distributors and Coils are obtainable from Messrs. J. Lucas Limited, in part exchange for the originals.		
		Note 2. U.S.A. and Canada only—Used on and after Chassis No. 1500-/16440.		
		Note 3. Introduction of suppressed Ignition Cables. Fitted from Engine Nos.:- 2C 5069 2CB 435 Australia 2CNA 128 N. America.		
		Note 4. Used prior to introduction Nos. listed in Note 5.		
		Note 5. Introduction of "Push-on" Cables and in conjunction with the new Distributor Bracket detailed in Engine (Motor) Unit—Petrol 1592 c.c. This new Material is NOT interchangeable with the old condition. Fitted on and after Engine Nos.:- 2CO 4297 2CO 15 N. America 2CO 71 Associated British Foods Chassis No. 341068.		

ELECTRICAL EQUIPMENT — BATTERIES

Plate Ref.	Part Number	DESCRIPTION	No. per Veh.	REMARKS
P.44691		BATTERY—(12 volt, 38 Amp/hour)—DRY	1	Petrol—Standard
P.44339		Battery—(12 volt, 51 Amp/hour)—Dry	1	{ Petrol—Special Order only
P.44045		Battery—(12 volt, 75 Amp/hour)—Dry	1	{ Diesel—Standard Diesel—0°F. Start—Early Models—Not Supplied
		Battery—(12 volt, 75 Amp/hour, 15 Plate)—Dry		{ Not supplied—Associated British Foods—Special Order only
		Battery—(12 volt, 57 Amp/hour)—Dry		{ Diesel—0°F. Start— Not Supplied—See Note 1
		Battery—(6 volt)—Dry ... Lucas MHF-128E/83-54028667		
P.42910	(9056027)	Screw—Battery Lug	2	
5220168		Screw— $\frac{5}{8}$ " UNF. \times 1" Battery	1	
9660203		Washer— $\frac{5}{8}$ " spring ... } Earth	1	{ Diesel
2203966		Battery Cover (for 38 Amp/hour Battery)	1	{ Petrol—Standard Petrol—Special Order only
2203967		Battery Cover (for 51 Amp/hour Battery)	1	{ Diesel—Standard Diesel—0°F. Start— Early Models
1800252		Battery Cover (for 75 Amp/hour Battery)	1	{ Associated British Foods— Special Order only
1208009		Battery Cover (for 75 Amp/hour Battery)	1	{ Diesel —See Note 1
2203967		Battery Cover (for 57 Amp/hour Battery)	1	{ Petrol—Standard; Diesel—0°F. Start— Early Models
1800311		Battery Cover (for 6 volt) Dry 24159056	2	{ Diesel—Standard Diesel—0°F. Start— See Note 1
2203901		Rod—Hooked/Threaded	1	{ Diesel—Standard Diesel—0°F. Start— Early Models
2203902		Rod—Threaded/Threaded	1	{ Diesel—Standard Diesel—0°F. Start— See Note 1
2203901		Rod—Hooked/Threaded	2	{ Diesel—Standard Diesel—0°F. Start— See Note 1
1215903		Rod—Outer	2	
1215904		Rod—Inner	2	
9520040		Locknut } Battery Cover Fixing	2	
2203903		Screw—Sleeved	2	{ Petrol & Diesel—Standard
1208010		Nut—Sleeved	2	{ Diesel—0°F. Start— Early Models
1208011		Clip—Battery to Cover	2	
1208012		Sleeve—Rubber	4	{ Diesel—0°F. Start— See Note 1
9067018		Washer— $\frac{1}{4}$ " plain	4	
9510040		Nut— $\frac{1}{4}$ " UNF.	4	{ Petrol—Standard; Diesel—0°F. Start Early Models
2203895		Battery Clamp Assembly—Inner	1	
2203894		Battery Clamp Assembly—Outer	1	
2203890		Battery Side Cover	1	
9733066		Tapping Screw—No. 8 \times $\frac{1}{4}$ "—Battery Side Cover	8	

Note 1. The new 6 volt Batteries and fixings are fitted on and after Chassis No. 1500-/217638; CKD Chassis No. 1500-/27246.

ELECTRICAL EQUIPMENT — CONTROL BOX AND FUSE UNIT

Plate Ref.	Part Number	DESCRIPTION	No. per Veh.	REMARKS	
C84-C87	104669	CONTROL BOX Lucas RB.106-37290	1	See Note 1 Petrol—Not N. America	
C85	K.14116	Resistance 334977	1		
C86	K.21773	Cover 391600	1		
C87	K.19286	Clip—Cover 334906	1	See Note 1	
	1046796 (1800231)	CONTROL BOX Lucas RB.310-37299A	1		
	5037501	Resistance 54380858	1		
	5037388	Cover 54380178	1	Diesel—Standard	
	5037389	Gasket—Cover Sealing 226479	1		
	9733069	Screw—Cover Fixing 198886	2		
	1046795 (1800230)	CONTROL BOX Lucas RB.310-37304A	1	See Note 1	
	5037501	Resistance 54380858	1		
	5037388	Cover 54380178	1		
	5037389	Gasket—Cover Fixing 226479	1	Diesel—Special Order only when Lucas type C.45 Dynamo fitted and Petrol N. America	
	9733069	Screw—Cover Fixing 198886	2		
	1800231	CONTROL BOX Lucas RB.340-37344	1		
	5038918	Cover—Moulded 54381342	1	See Note 1	
	5040241	Resistance Field (60 Ohms) 54380064	1		
	5038920	Resistance Swamp (55 Ohms) 54380438	1		
	1800230	CONTROL BOX Lucas RB.340-37342	1	Diesel Models	
	5038918	Cover—Moulded 54381342	1		
	5040241	Resistance Field (60 Ohms) 54380064	1		
	5038920	Resistance Swamp (55 Ohms) 54380438	1	See Note 1	
	2203932	Control Box Bracket—For RB.106 and RB.310 Control Boxes ...	1		
	1219101	Control Box Bracket—For RB.340 Control Boxes ...	1		
	39303080	Screw—No. 10 UNF. × 1/2" } Bracket 2	2	Petrol Models—Not N. America	
	9661121	Washer—1/8" spring } Fixing 2			
	39403200	Screw—No. 10 UNF. × 1 1/2" } Control Box Fixing 2	2		
	19504041	Screw—1/2" UNF. × 1/2" } Control Box 1			
	9660161	Washer—1/2" spring } Earth 1	1		
	39304120	Screw—1/2" UNF. × 1/2" } Control Box 3			
	9661121	Washer—1/2" spring } Fixing 3	3		
	1046719 (1800083)	FUSE UNIT Lucas 5FJ-033287			1
	1800083	FUSE UNIT 54038005	1		Diesel and Petrol— U.S.A. and Canada
	K.7961	Fuse—35 amp. 188218	A/R		
	39403100	Screw—No. 10 UNF. × 1/2"—Fuse Unit 1	1		

Note 1. A replacement Control Box is obtainable from Messrs. Joseph Lucas Limited, in part exchange for the original. CHECK TYPE BEFORE ORDERING.

NEW UNITS ARE NOT SUPPLIED FROM THE FACTORY.

ELECTRICAL EQUIPMENT — WINDSCREEN (Windshield) WIPER

Plate Ref.	Part Number	DESCRIPTION	No. per Veh.	REMARKS
		WINDSCREEN (Windshield) WIPER		
		ASSEMBLY—R.H.D. ... Lucas DL.2-54071019		} Not supplied
		Windscreen (Windshield) Wiper Assembly—L.H.D. Lucas DL.2-54071020		
A88		Motor Unit 75342D		} See Note 1
A89	5037833	Link 54710042	2	
A90	P.45645	Nut—Fixing... .. 153511	2	
A91	5037834	Bush—Front 54710162	2	
A92	5037835	Bush—Rear 54710048	2	
A93	5037836	Spindle—Oscillating Link and Bearing Pin ... 54710047	2	
A94	5039791	Link—Rotary Gear Shaft 54713162	1	
A95	5037831	Arm—R.H.D. 54711533	2	
	5037832	Arm—L.H.D. 54711532	2	
A96-A98	5037830 (5038059)	Blade—Chrome 54711285	2	
	5038059	Blade—Silver Grey 54711284	2	
A97	5037870	Rubber Channel Assembly 54712205	2	
A98	5220189	End Cap 737916	4	
	19504041	Screw— $\frac{1}{4}$ " UNF. \times $\frac{1}{2}$ " Motor	1	
	9067015	Washer— $\frac{1}{4}$ " plain } Fixing	1	
		Note 1. A replacement Motor Unit is obtainable from Messrs. Joseph Lucas Limited in part exchange for the original.		
		NEW UNITS ARE NOT SUPPLIED FROM THE FACTORY.		

ELECTRICAL EQUIPMENT — FLASHER SYSTEM AND HORN

Plate Ref.	Part Number	DESCRIPTION	No. per Veh.	REMARKS	
		FLASHER SYSTEM			
B99	P.45492 (1046994)	FLASHER UNIT Lucas FL.5-35011	1		
	39601160	Screw—No. 6 UNC. × 1"	1		
	9067005	Washer— $\frac{3}{8}$ " plain	1	} Flasher Unit	
	9660102	Washer— $\frac{3}{8}$ " spring	1		
	9550010	Nut—No. 6 UNC.	1		} Socket
		HORN			
	1800126 (1800233)	HORN—LOW NOTE Lucas 9H-69113	1	} See Note 1	
	1800233	HORN—LOW NOTE Lucas 54069009A	1		
	19504061	Screw— $\frac{1}{2}$ " UNF. × $\frac{1}{2}$ "	2	} Horn	
	9660161	Washer— $\frac{1}{2}$ " spring	2		
	1202949	Horn Bracket Assembly—N.S. (L.H.)	1	} Fixing	
	1202948	Horn Bracket Assembly—O.S. (R.H.)	1		
	19504051	Bolt— $\frac{1}{2}$ " UNF. × $\frac{1}{2}$ "	2	} Bracket to Crossmember	
	9067016	Washer— $\frac{1}{2}$ " plain	2		
	9664162	Washer— $\frac{1}{2}$ " shakeproof	2		
		Note 1. A replacement Horn is obtainable from Messrs. J. Lucas Ltd. in part exchange for the original.			

ELECTRICAL EQUIPMENT — CABLES, GROMMETS AND CONNECTIONS

Plate Ref.	Part Number	DESCRIPTION	No. per Veh.	REMARKS
1205300		CABLE HARNESS—CHASSIS—R.H.D.	1	} Petrol Models— See Note 1—Page 207
1205301		Cable Harness—Chassis—L.H.D.	1	
1205660		Cable Harness—Chassis—R.H.D.	1	} Petrol Models— See Note 2—Page 207
1205661		Cable Harness—Chassis—L.H.D.	1	
1205302		Cable Harness—Chassis—R.H.D.	1	} Diesel Models— See Note 3—Page 207
1205303		Cable Harness—Chassis—L.H.D.	1	
1207152		Cable Harness—Chassis—R.H.D.	1	} Diesel Models— See Note 4—Page 207
1207153		Cable Harness—Chassis—L.H.D.	1	
1218027		Cable Harness—Chassis—R.H.D.	1	} Petrol Models— See Note 6—Page 207
1218028		Cable Harness—Chassis—L.H.D.	1	
1217986		Cable Harness—Chassis—R.H.D.	1	} Diesel Home Models —Not fitted on later Models with Starting Aid
1203528		Cable—Battery Negative to Starter Switch—R.H.D. Lucas 810822	1	
P.89459		Cable—Battery Negative to Starter Switch—L.H.D.	1	} Petrol Models See Note 1 } Page See Note 2 } 207
1203528		Cable—Battery Negative to Starter Switch—L.H.D.	1	
1203564		Cable—Battery Negative to Starter Switch—R.H.D.	1	} Diesel Models— Standard
1203565		Cable—Battery Negative to Starter Switch—L.H.D.	1	
1207154		Cable—Battery Negative to Starter Switch—R.H.D.	1	} Diesel—0°F. Start Early Models
1207155		Cable—Battery Negative to Starter Switch—L.H.D.	1	
1216088		Cable—Battery Negative to Starter Switch	1	} Diesel—0°F. Start Late Models
1203528		Cable—Battery Negative to Starter Switch—R.H.D.	1	
P.89459		Cable—Battery Negative to Starter Switch—L.H.D.	1	} Petrol Models —See Note 6—Page 207
P.101111		Cable—Battery Positive to Earth 812114	1	
1207156		Cable—Battery Positive to Earth—R.H.D.	1	} Petrol & Diesel—Standard Diesel—0°F. Start
1207157		Cable—Battery Positive to Earth—L.H.D.	1	
1216087		Cable—Battery Positive to Earth	1	} Early Models Diesel—0°F. Start
1216089		Cable—Battery Link	1	
3020087		Cable—Relay Link	1	} —Late Models Diesel Home Models —Not fitted on Later Models with Starting Aid
P.115756		Cable—Starter Switch to Starter Motor 864883	1	
3021570		Cable Assembly—Starter Motor and Solenoid	1	} Petrol—See Note 1—Page 207 Diesel—See Note 7—Page 207
1205662		Cable—Starter Switch to Starter Motor—R.H.D.	1	
1205663		Cable—Starter Switch to Starter Motor—L.H.D.	1	} Petrol Models— See Note 2—Page 207
P.115756		Cable—Starter Switch to Starter Motor	1	
1203554		Cable—Engine to Earth	1	} Petrol—See Note 6—Page 207 Petrol Models
1205893		Cable—Engine to Earth	1	
1215169		Cable—Earth—Starter Motor to Engine	1	} Diesel Models See Note 5—Page 207
1203183		Cable—Earth—Control Box	1	
1203525		CABLE HARNESS—BODY	1	} Used with Control Box RB.340 (1800230)
P.49135	(9178520)	Clip—Head and Side Lamp Leads	8	
P.49293		Clip—Side Lamp Lead	2	} R.H.D.
P.49294	(9178502)	Clip—Engine Compartment—Front	6	
P.49297		Clip—Engine Compartment—Side	6	} R.H.D.
P.49294	(9178502)	Clip—Front Panel	5	
P.49296	(9178504)	Clip—Front Panel	5	} R.H.D.
P.49135	(9178520)	Clip—Front Panel	2	
P.49135	(9178520)	Clip—Foot Dipper Switch Lead	1	} Petrol Models Diesel Models
P.49297		Clip—Speedometer Cable—Sidemember—O.S. (R.H.)	1	
P.46423	(9178540)	Clip—Speedometer Cable—Sidemember Top Flange	2	} Petrol Models Diesel Models
9179108		Clip—Starter and Choke Control on Engine—R.H.D.	1	
9179053		Clip—Starter Cable on Starter Motor Screw	1	} Petrol Models
L.1438		Clip—Starter Control to L.H. Wing Valve	1	
P.49347		Clip—Battery Cable to Battery Cradle—R.H.D.	1	

ELECTRICAL EQUIPMENT — CABLES, GROMMETS AND CONNECTIONS

Plate Ref.	Part Number	DESCRIPTION	No. per Veh.	REMARKS
		CABLE HARNESS—BODY—continued		
9179027		Clip—Battery Positive Cable to Battery Tray	Battery ... 1	Diesel—O'F. Start— Early Models
39303081		Screw—No. 10 × 1/4" ...	Positive Cable ... 1	
9660121		Washer—3/8" spring ...	to ... 1	
9510031		Nut—No. 10 UNC. ...	Battery Tray ... 1	
9179029		Clip—Battery Positive Cable to Clutch Housing	... 1	Diesel—O'F. Start— Late Models
P.49347		Clip—Battery Cable 2	
9179027		Clip—Battery Positive Cable to Tray	... 1	
9179027		Clip—Battery Positive Cable to Clutch Housing	... 1	
9179027		Clip—Battery Link Cable	... 4	Diesel—O'F. Start— Late Models
P.49347		Clip—Battery Cables 2	
9734083		Screw—No. 10 × 1/4"—Link Cable Clips	... 4	
39303081		Screw—No. 10 × 1/4" 1	
9660121		Washer—No. 10 spring	Positive Cable to Tray Clips ... 1	Not used on Beetle Float or Chassis Cab
9510030		Nut—No. 10 UNF. ...		
P.49294	(9178502)	Clip—Control—Side 8	
P.49295		Clip—Control—Rear 4	
P.49295		Clip—Rear Door Post 8	
P.49293		Clip—Petrol Tank Lead 2	
9118514		Grommet—Rear Number Plate and Petrol Tank Lead	... 1	Petrol & Diesel—Standard
9118527		Grommet—Rear Number Plate Lamp to Panel	... 1	
9118531		Grommet—Speedometer Cable	... 1	Diesel—O'F. Start— Early Models
9118534		Grommet—Battery Negative Cable	... 1	
9118534		Grommet—Battery Negative Cable	... 2	Diesel—O'F. Start— Late Models
9118534		Grommet—Battery Negative Cable	... 1	
9119605		Grommet—Warning Light	... 1	Petrol Models— See Note 6—Page 207
5037284	(9227100)	Lucas Connector—12 amp.—Female	Lucas 54942078	A/R
5037285	(9227101)	Lucas Connector—35 amp.—Female	... 54942079	A/R
9227107		Lucas Connector—Heater—Cold Starting	... 199279	1 Diesel
9227102		Lucas Connector	... 3	Diesel Home Models —Not fitted on Later Models with Starting Aid
3020118		Tube (P.V.C.)	... 1	
		Note 1. Used prior to Chassis Nos. Listed in Note 2.		
		Note 2. Used on and after Chassis Nos.: R.H.D., 1500/-/001996-002019-002045-002057-002066/002067-002096/002097-002119/002120-002122-002129-002135-002143/002144-002148/002149-002154-002156/002157-002159/002160-002168-002173; L.H.D., 1500/-/001858-001887; CKD 1500/-/70181. Also used prior to the introduction of Push Button Type Starter. See Page 195.		
		Note 3. Used prior to Chassis No. 1500/-/003836—CKD 1500/-/700547.		
		Note 4. Used on and after Chassis No. 1500/-/003836; CKD 1500/-/700547.		
		Note 5. Used in conjunction with Starter Motor 1046712 only, on and after Chassis No. 1500/-/217642 Diesel Models; CKD Chassis No. 1500/-/272463 Diesel Models.		
		Note 6. Used on and after Chassis No. 1500/-/224731—CKD 1500/-/274537. Please note that Cable—Battery Negative to Starter Switch P.89459 and Cable—Starter Switch to Starter Motor P.115756—See Note 1—are now applicable to Late Series IIA Models with the introduction of Push Button type Starter.		
		Note 7. Used in conjunction with the Late Condition Starter Motor 1800682 and Solenoid 1800680.		

BODY—SHELL ASSEMBLIES

BODY SHELL ASSEMBLIES

Plate Ref.	Part Number	DESCRIPTION	No. per Veh.	REMARKS
		THE FOLLOWING BODY SHELL AND CHASSIS CAB ASSEMBLIES ARE PRIMED — COMPLETE WITH DOORS — LESS FITTINGS AND TRIM		
	3094580	BODY SHELL ASSEMBLY—R.H.D. & L.H.D. (2-Door Van with Hinged Doors) 1	1	} Used on 1500 Series I— See also Note 1
	3094583	Body Shell Assembly—R.H.D. } 3-Door 1	1	
	3094584	Body Shell Assembly—L.H.D. } Van 1	1	
	3094581	Body Shell Assembly—R.H.D. and L.H.D.—(Van with Sliding Doors) 1	1	
	3094585	Body Shell Assembly—R.H.D. } Passenger 1	1	
	3094586	Body Shell Assembly—L.H.D. } 1	1	
	3094587	Chassis Cab Assembly—R.H.D. and L.H.D. 1	1	
	3095111	Body Shell Assembly—R.H.D. and L.H.D.—(2-Door Van with Hinged Doors) 1	1	
	3095114	Body Shell Assembly—R.H.D. } 3-Door 1	1	
	3095115	Body Shell Assembly—L.H.D. } Van 1	1	
	3095112	Body Shell Assembly—R.H.D. & L.H.D.—(Van with Sliding Doors) 1	1	
	3095116	Body Shell Assembly—R.H.D. } Passenger 1	1	
	3095117	Body Shell Assembly—L.H.D. } 1	1	
	3095118	Chassis Cab Assembly—R.H.D. and L.H.D. 1	1	
	3095161	Body Shell Assembly—R.H.D. and L.H.D.—(2-Door Van with Hinged Doors) 1	1	
	3095366	Body Shell Assembly—R.H.D. } 3-Door 1	1	} Used on 1500 Series IIA and 2500 Series—See also Note 2
	3095367	Body Shell Assembly—L.H.D. } Van 1	1	
	3095364	Body Shell Assembly—R.H.D. & L.H.D.—(Van with Sliding Doors) 1	1	
	3095372	Body Shell Assembly—R.H.D. } Passenger 1	1	
	3095374	Body Shell Assembly—L.H.D. } 1	1	
	3095370	Chassis Cab Assembly—R.H.D. and L.H.D. 1	1	
		THE FOLLOWING DRIVE AWAY FRONT END SHELL ASSEMBLIES ARE PRIMED — COMPLETE WITH FRONT ROOF PANEL AND DOORS — LESS FITTINGS AND TRIM		
	3094582	Drive Away Front End Shell Assembly—Hinged Door 1	1	} Used on 1500 Series I— See also Note 1
	2214664	Drive Away Front End Shell Assembly—Sliding Door 1	1	
	3095113	Drive Away Front End Shell Assembly—Hinged Door 1	1	
	3095119	Drive Away Front End Shell Assembly—Sliding Door 1	1	
	3095365	Drive Away Front End Shell Assembly—Hinged Door 1	1	
	3095371	Drive Away Front End Shell Assembly—Sliding Door 1	1	
		Note 1. These Body Shell Assemblies are no longer available and demands will be met by the supply of the Later condition which incorporates the New Front Panel complete with revised Radiator Grille position and the new "wide base" Front Suspension Mounting.		} Used on 1500 Series II Low and 2500 Series—See also Note 2
		When using a Series IIA Body Assembly as a replacement on Series I and Series II vehicles, it is also necessary to order and fit the latest Front Suspension Member, 1216580.		
		Note 2. With the exception of 3095374 Body Shell Assembly and 3095365 Drive Away Front End Shell Assembly these Body Shell Assemblies are no longer available and demands will be met by the supply of Body Shell Assemblies detailed in Parts List 6601229 which will accept only the Series III Front Grille and separate Side and Flasher Lamps which will be found in Parts List 6601229 Sections "S" and "TC" and must be ordered separately.		

BODY—UNDERFRAME

BODY — UNDERFRAME

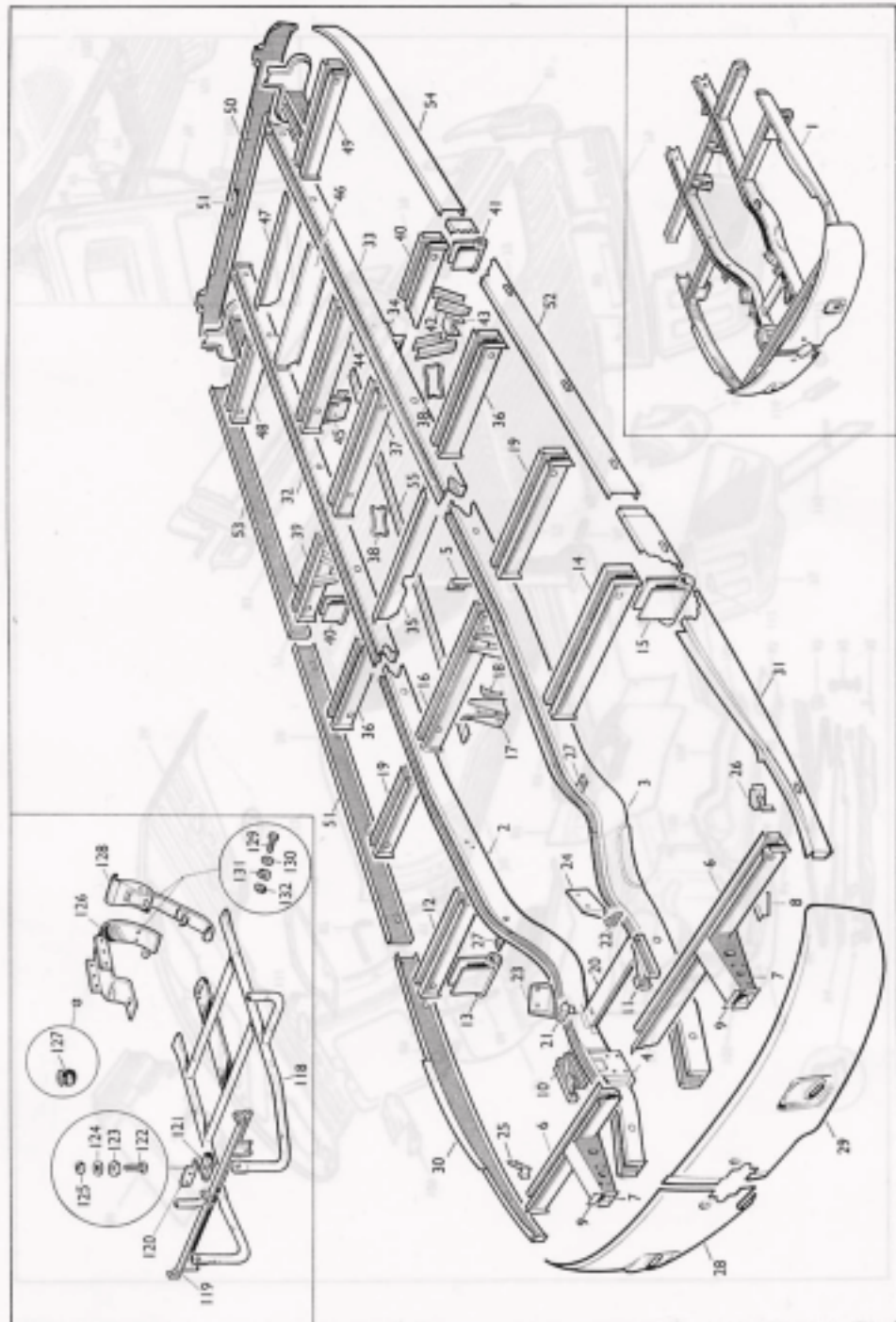


PLATE A

BODY — UNDERFRAME

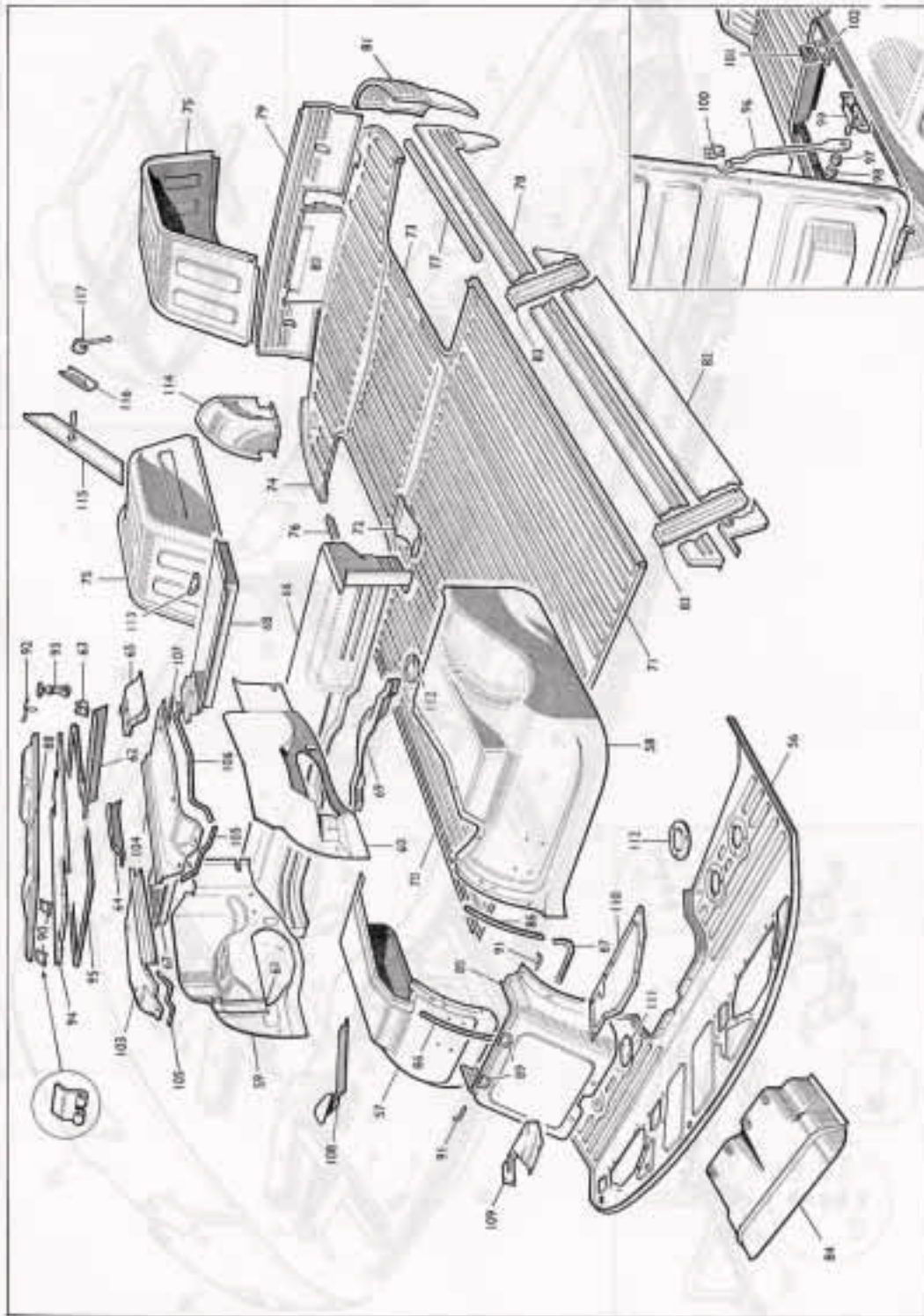


PLATE B

BODY — UNDERFRAME

Plate Ref.	Part Number	DESCRIPTION	No. per Veh.	REMARKS
A1	2122214	UNDERFRAME ASSEMBLY COMPLETE	1	Not supplied
	2216347	UNDERFRAME ASSEMBLY—FRONT	1	1500 Series I
	2221702	Underframe Assembly—Front	1	1500 Series II—Early 2500 Series
A2		Sidemember Assembly—Front—O.S. (R.H.)	1	} Not supplied
A3		Sidemember Assembly—Front—N.S. (L.H.)	1	
A4	2122240	Steering Relay Lever Support Bracket Assembly	2	} Early Vehicles only—Not supplied
A5		Exhaust Pipe Bracket—Front	1	
A6	2122206	FRONT CROSSMEMBER ASSEMBLY	2	} Not supplied
A7	2122204	Steering Column Support Bracket Assembly	2	
A8		Pedal Mounting Bracket	1	} Not supplied
A9		Closing Plate—Steering Column Support Bracket	1	
A10	2122234	Front Crossmember Channel Support Assembly—O.S. (R.H.)	1	} Not supplied
A11	2122235	Front Crossmember Channel Support Assembly—N.S. (L.H.)	1	
A12	2122208	Outrigger Assembly—Bulkhead—O.S. (R.H.)	1	} Not supplied
A13	2122223	Jacking Tube Bracket Assembly—Front	1	
	2120883	Reinforcement—Jacking Tube—Front	1	2500 Series only
A14	2122209	Outrigger Assembly—Bulkhead—N.S. (L.H.)	1	} Not supplied
A15	2122223	Jacking Tube Bracket Assembly—Front	1	
	2122883	Reinforcement—Jacking Tube—Front	1	2500 Series only
A16		CROSSMEMBER ASSEMBLY—No. 1	2	Not supplied
A17	2208861	Engine Mounting Bracket—Rear	2	} Not supplied
A18	2120828	Reinforcement—Mounting Bracket	4	
A19	2120808	Outrigger—Crossmember No. 1	2	} Not supplied
A20	2120884	RADIATOR SUPPORT CROSSMEMBER ASSEMBLY	1	
A21	2217564	Radiator Support Bracket—Lower—O.S. (R.H.)	1	} Not supplied
A22	2217565	Radiator Support Bracket—Lower—N.S. (L.H.)	1	
A23	2120836 (2216308)	Front Suspension Mounting Bracket—O.S. (R.H.)	1	} See Special Note "A"— Page 223
A24	2120837 (2216309)	Front Suspension Mounting Bracket—N.S. (L.H.)	1	
	2216308	Front Suspension Mounting Bracket—O.S. (R.H.)	1	
	2216309	Front Suspension Mounting Bracket—N.S. (L.H.)	1	
A25	2122236	Check Arm Guide Spring Bracket Assembly—O.S. (R.H.)	1	} Not supplied
A26	2122237	Check Arm Guide Spring Bracket Assembly—N.S. (L.H.)	1	
		Brake Hose Abutment Bracket	1	} Not supplied
A28	2120864	Sill Closing Panel—Front—O.S. (R.H.)	1	
A29	2120865	Sill Closing Panel—Front—N.S. (L.H.)	1	} 1500 Series I
	2216358	Sill Closing Panel—Front—O.S. (R.H.)	1	
	2216359	Sill Closing Panel—Front—N.S. (L.H.)	1	} 1500 Series II
A30	2120866	Sill Closing Panel—Front Door—O.S. (R.H.)	1	
A31	2120867	Sill Closing Panel—Front Door—N.S. (L.H.)	1	} Not supplied
		Shield—Gear Change Relay—R.H. } Shield to R.H. Front	1	
		Screw—No. 10 × ½ } Sidemember Assembly	1	
		UNDERFRAME ASSEMBLY—REAR	1	} Used on and after Chassis Nos. 338648 and 379409
	3023032	Sidemember Assembly—Rear—O.S. (R.H.)	1	
		Bracket—Abutment Brake Hose—O.S. (R.H.)—Rear	1	} Not supplied
A33		Sidemember Assembly—Rear—N.S. (L.H.)	1	
A34		Exhaust Pipe Bracket—Rear—Early Vehicles only	1	} Not supplied
A35		FLOOR SUPPORT CROSSMEMBER—FRONT	1	
A36	2120808	Outrigger—Floor Support Crossmember—Front	2	} Not supplied
A37		Crossmember—No. 2	1	
A38		Gusset—Sidemember to Crossmember	1	} Not supplied
A39	2217562	Outrigger Assembly—Crossmember No. 2—O.S. (R.H.)	1	
A40	2217563	Outrigger Assembly—Crossmember No. 2—N.S. (L.H.)	1	} Not supplied
A41	2122217	Jacking Tube Bracket Assembly—Rear	2	
	2222000	Strap—Jacking Tube—Rear	2	2500 Series only
A42	2120829	Rear Spring Mounting Bracket—Front	4	

BODY — UNDERFRAME

Plate Ref.	Part Number	DESCRIPTION	No. per Veh.	REMARKS
		UNDERFRAME ASSEMBLY—REAR—continued		
		OUTRIGGER ASSEMBLY—CROSSMEMBER No. 2—		
		N.S. (L.H.)—continued		
A43	2120830	Rear Spring Mounting Reinforcement—Front	2	
	1205533	Exhaust Pipe Bracket—Rear... ..	2	
	2214920	Reinforcement—Outrigger to Sidemember—O.S. (R.H.) ...	1	
	2214921	Reinforcement—Outrigger to Sidemember—N.S. (L.H.) ...	1	
A44	2122207	CROSSMEMBER ASSEMBLY—No. 3	1	
A45	2120976	Shock Absorber Mounting Bracket Assembly—O.S. (R.H.)	1	} Used prior to Chassis No. 338648—CKD 379409
	2204739	Shock Absorber Mounting Bracket Assembly—N.S. (L.H.)	1	
	2204739	Shock Absorber Mounting Bracket Assembly	2	
	2214981	Gusset—Shock Absorber Mounting to Crossmember ...	2	} Used on and after Chassis No. 338648—CKD 379409
A46	2120934	FLOOR SUPPORT CROSSMEMBER ASSEMBLY—		
		INTERMEDIATE	1	
A47	2120935	Floor Support Crossmember—Rear	1	
A48	2122212	Outrigger Assembly—No. 4—O.S. (R.H.)	1	
A49	2122213	Outrigger Assembly—No. 4—N.S. (L.H.)	1	
A50	2122222	SILL CLOSING PANEL ASSEMBLY—REAR	1	
A51	2122219	Number Plate Lamp Bracket Assembly	1	
A52	2120822	Sill Closing Panel—Intermediate	2	
A53	2120816	Sill Closing Panel—Side—O.S. (R.H.)	1	
A54	2120817	Sill Closing Panel—Side—N.S. (L.H.)	1	
A55		Support Channel—Brake and Fuel Lines		} See Brakes and Controls
B56	2122227 (2221777)	TOEBOARD PANEL ASSEMBLY	1	
	2221777	Toeboard Panel Assembly	1	
B57	2122230	Wheel Arch Panel Assembly—Front—O.S. (R.H.)	1	
B58	2122231	Wheel Arch Panel Assembly—Front—N.S. (L.H.)	1	
B59	2122248	Valance Panel Assembly—O.S. (R.H.)	1	
B60	2122249	Valance Panel Assembly—N.S. (L.H.)	1	
B61	2204722	Radiator Support Bracket Assembly—Upper—O.S. (R.H.)	1	
	2204723	Radiator Support Bracket Assembly—Upper—N.S. (L.H.)	1	
B62	2122241	Engine Housing Rear Panel Assembly	1	
B63	2120998	Engine Cover Catch Bracket	2	
B64	2122242	Engine Housing Rear Corner Panel Assembly—O.S. (R.H.)	1	
B65	2122243	Engine Housing Rear Corner Panel Assembly—N.S. (L.H.)	1	
B66	2120986	BULKHEAD PANEL ASSEMBLY	1	
	2206307	Bulkhead Panel Assembly—Upper	1	} Bottle Float only
	2206301	Bulkhead Panel—Intermediate	1	
		Bulkhead Reinforcement		} Not supplied
	2206309	Bulkhead Reinforcement—Upper—Intermediate	1	
	2206308	Bulkhead Reinforcement—Vertical—Intermediate	2	
	2206306	Bulkhead Reinforcement—Lower—Intermediate	1	} Bottle Float only
	2206295	Bulkhead Panel—Lower	1	
	2206296	Bulkhead Extension Panel—O.S. (R.H.)	1	
	2206297	Bulkhead Extension Panel—N.S. (L.H.)	1	
952	2122	Battery Tray Panel Assembly—O.S. (R.H.)	1	
d69	2122229	Battery Tray Panel Assembly—N.S. (L.H.)	1	
B70		Front Floor Panel—Centre		} Not supplied
B71		Front Floor Panel—O.S. (R.H.)		
B72		Front Floor Panel—N.S. (L.H.)		
		Front Floor Filler Panel—O.S. (R.H.)		} Bottle Float only
		Front Floor Filler Panel—N.S. (L.H.)		
		Floor Panel—Front		
		Floor Panel—Intermediate		
B73		Floor Panel—Centre		
B74	2120852	Floor Panel—Rear	1	
	2213973	Floor Panel—Rear	1	
	2213983	Angle Reinforcement—Rear Floor	1	} Bottle Float only
	2213974	Cover—Oil Filler Aperture	1	
	2213975	Gasket—Oil Filler Aperture Cover	1	

BODY — UNDERFRAME

Plate Ref.	Part Number	DESCRIPTION	No. per Veh.	REMARKS
		UNDERFRAME ASSEMBLY—REAR—continued		
	2204069	Floor Panel—Side—Shut Pillar to Wheel Arch—N.S. (L.H.) ...	1	R.H.D. } Station Wagon
	2204068	Floor Panel—Side—Shut Pillar to Wheel Arch—O.S. (R.H.) ...	1	L.H.D. } only
	2204042	Floor Panel—Side—Bulkhead to Wheel Arch—O.S. (R.H.) ...	1	R.H.D. }
	2204040	Floor Panel—Side—Bulkhead to Wheel Arch—N.S. (L.H.) ...	1	L.H.D. }
B75	2122216	Wheel Arch Panel Assembly—Rear ...	2	
	2213987	Wheel Arch Panel—Rear ...	2	Bottle Float only
B76	2120868	Side Panel Support—Rear Wheel Arch—O.S. (R.H.) ...	1	
B77	2120869	Side Panel Support—Rear Wheel Arch—N.S. (L.H.) ...	1	1500 Series I
	2218712	Side Panel Support—Rear Wheel Arch—O.S. (R.H.) ...	1	
	2218713	Side Panel Support—Rear Wheel Arch—N.S. (L.H.) ...	1	1500 Series II
	2120514	SILL PANEL—OUTER—O.S. (R.H.) ...	1	
B78	2120515	Sill Panel—Outer—N.S. (L.H.) ...	1	2-Door Van
	2120514	Sill Panel—Outer—O.S. (R.H.) ...	1	2-Door Van and
	2120533	Sill Panel—Outer—Side Door—N.S. (L.H.) ...	1	Passenger—R.H.D.
	2120515	Sill Panel—Outer—N.S. (L.H.) ...	1	2-Door Van and
	2120532	Sill Panel—Outer—Side Door—O.S. (R.H.) ...	1	Passenger—L.H.D.
		Filler Panel—Sill to Floor ...		2-Door Van and
				Passenger—Not supplied
	2120562	Sill Filler—Rear—O.S. (R.H.) ...	1	2-Door Van and
	2120563	Sill Filler—Rear—N.S. (L.H.) ...	1	Passenger
B79	2120518	Sill Panel—Outer—Rear ...	1	
B80	2120583	Number Plate Mounting Panel—Rear ...	1	
	2120516	Sill Corner Panel—Outer—O.S. (R.H.) ...	1	
B81	2120517	Sill Corner Panel—Outer—N.S. (L.H.) ...	1	
	2120584	Skirt Panel—O.S. (R.H.) ...	1	
B82	2120585	Skirt Panel—N.S. (L.H.) ...	1	
B83	2122040	Skirt Support Stay ...	4	
B84	2120890	COOLING DUCT PANEL ...	1	
	19504042	Screw—1" UNF. x 1/2" } Cooling Duct Panel ...	4	
	9664163	Washer—1/2" shakeproof } to Underframe ...	4	1500 Series I
	9773106	Tapping Screw—No. 8 x 1/2" } Cooling Duct Panel ...	6	
	9020039	Spro Nut ... } to Front Panel ...	6	
	2216343	PANEL DUCTING FORWARD ASSEMBLY ...	1	
	2216355	Panel Ducting Rear Assembly ...	1	
	19504042	Screw—1" UNF. x 1/2" ...	6	Early Condition
	9067017	Washer—1/2" plain ...	6	1500 Series II—Used
	9660161	Washer—1/2" spring ...	6	prior to Chassis No.—
	2216789	Bracket Support—Ducting—Rear ...	1	See Note 6—Page 223
	19504052	Screw—1" UNF. x 1/2" ...	2	
	2222268	PANEL DUCTING FORWARD ASSEMBLY ...	1	1500/2500 Series II and III.
	9773106	Tapping Screw—No. 8 x 1/2" ...	6	Late condition—
	9020039	Spro Nut ...	6	See Note 6—Page 223
	9067017	Washer—1/2" plain ...	2	
	9660161	Washer—1/2" spring ...	2	1500 Series II
	9510040	Nut—1/2" UNF. ...	2	
B85	2206874 (2120815)	ENGINE ACCESS PANEL ...	1	
	19504062	Screw—1" UNF. x 1/2" ...	6	
	9664163	Washer—1/2" shakeproof } Engine Access Panel to Body ...	6	
	9067097	Washer—1/2" plain ...	6	
B86	P.49327	Seal—Engine Access—Side ...	A/R	
B87	P.49327	Seal—Engine Access—Bottom ...	A/R	Order in Feet
	P.49327	Seal—Engine Access—Centre ...	A/R	
B88	2122232 (2225644)	ENGINE COVER PANEL ASSEMBLY ...	1	
B89	2122019	Hinge Leaf—Female ...	2	
B90	2122012	Hinge Leaf—Male ...	2	Petrol Models
B91	2122020	Hinge Pin ...	2	
B92	2204736	Catch Assembly—Engine Cover ...	2	See Note 1
	2204736	Catch Assembly—Engine Cover—N.S. (L.H.) ...	1	See Note 2 } Page 223
	2213889	Catch Assembly—Engine Cover—O.S. (R.H.) ...	1	Note 2 }

BODY — UNDERFRAME

Plate Ref.	Part Number	DESCRIPTION	No. per Veh.	REMARKS	
	2208299 (2225644)	Engine Cover Panel Assembly	1	} Diesel See Note 1 } Page 223 } Note 2 } Bottle Float only Petrol/Diesel Models	
	2122019	Hinge Leaf—Female	2		
	2122012	Hinge Leaf—Male	2		
	2122020	Hinge Pin	2		
	2204736	Catch Assembly—Engine Cover	2		
	2204736	Catch Assembly—Engine Cover—N.S. (L.H.)	1		
	2213889	Catch Assembly—Engine Cover—O.S. (R.H.)	1		
	2209978	Catch Assembly—Bulkhead Box to Engine Cover	1		
	2225644	Engine Cover Panel Assembly	1		
	19503042	Screw—No. 10 UNF. × 1"	6		
	9663123	Washer— $\frac{5}{8}$ " shakeproof	6	} Engine Cover Panel Hinges to Engine Access Panel	
	9067007	Washer— $\frac{5}{8}$ " plain	6		
	9510031	Nut—No. 10 UNF.	6		
B93	2204858	Catch—Rubber—Engine Cover	2		
	19104142	Screw—1" UNF. × 11"	2	} Catch to Engine Housing Panel	
	9664163	Washer—1" shakeproof	2		
	9510043	Nut—1" UNF.	2		
B94	2203941	Engine Cover Insulation	1	N. America only	
	3055404	Engine Cover Insulation	1		
	2203942	Bracket—Engine Cover Insulation	4		
	39304081	Screw—1" UNF. × 1"	4		
	9664162	Washer—1" shakeproof	4		} Bracket to Engine Cover
	9510043	Nut—1" UNF.	4		
B95	2204515	Engine Cover Seal	1		
B96	2204993 (2217511)	STAY ASSEMBLY—ENGINE COVER	1	} Early condition Passenger—standard fitment, Van—Special Order only when Centre Seat fitted. See Special Accessories } Late condition	
	9067008	Washer—1" plain	2		
B97	9510043	Nut—1" UNF.	1		} Stay to Anchor Bracket
B98	9520041	Locknut—1" UNF.	1		
B99	2204930	Anchor Bracket Assembly—Stay	1		
	9773066	Tapping Screw—No. 8 × 11"—Anchor Bracket Fixing	2		
B100	2205584	Stay Securing Bracket	1		
B101	2205582	Retainer—Engine Cover Stay	1		
B102	2205583	Retainer Bracket—Stay	1		
	9733049	Tapping Screw—No. 8 × 1"—Retainer Bracket Fixing	2		
	2217511	Engine Cover Stay Assembly	1		
	2217513	Check Link Assembly	1	} When Centre Seat not fitted	
	2217553	Channel—Check Link	1		
	9067009	Washer—1" plain	1		} Link to Body
	9206549	Washer—1" Starlock	1		
	1202703	Clip—Linkage	1		
	9734066	Tapping Screw—No. 10 × 1"	2		} Channel Check
	9663123	Washer— $\frac{5}{8}$ " shakeproof	2		
	2209007	Check Strap—Engine Cover	1		
	19504041	Screw—1" UNF. × 1"	1		
	9067097	Washer—1" plain	2		} Check Strap to
	9664162	Washer—1" shakeproof	1	} Air Cleaner Cover	
	9510040	Nut—1" UNF.	1		
B103	2120988 (2225646)	AIR CLEANER COVER PLATE ASSEMBLY—O.S. (R.H.)	1		
B104	2120989 (2225645)	Air Cleaner Cover Plate Assembly—N.S. (L.H.)	1		
	2225646	Air Cleaner Cover Plate Assembly—O.S. (R.H.)	1		
	2225645	Air Cleaner Cover Plate Assembly—N.S. (L.H.)	1		
	39304121	Screw—1" UNF. × 1"	12	} Air Cleaner Cover Plate to Wheel Arch	
	9664163	Washer— $\frac{1}{2}$ " shakeproof	12		
	9067007	Washer—1" plain	12		
B105	P.49327	Seal—Air Cleaner Cover Plate—Front	A/R	} Order in feet	
B106	P.49327	Seal—Air Cleaner Cover Plate—Side	A/R		
B107	P.49327	Seal—Air Cleaner Cover Plate—Rear	A/R		
B108	2204904	Toeboard Channel Assembly	1		
	9732063	Tapping Screw—No. 6 × 1"—Channel to Toeboard	6		

BODY — UNDERFRAME

Plate Ref.	Part Number	DESCRIPTION	No. per Veh.	REMARKS
B109	2120886	Toeboard Cover Plate—O.S. (R.H.)—R.H.D.	1	
	2120887	Toeboard Cover Plate—N.S. (L.H.)—L.H.D.	1	
	39304081	Screw— $\frac{1}{2}$ " UNF. \times $\frac{1}{2}$ "	9	
B110	9664163	Washer— $\frac{1}{2}$ " shakeproof	9	
	2120889	Toeboard Blanking Panel—N.S. (L.H.)—R.H.D.	1	
	2120888	Toeboard Blanking Panel—O.S. (R.H.)—L.H.D.	1	
B111	39304081	Screw— $\frac{1}{2}$ " UNF. \times $\frac{1}{2}$ "	9	
	9664163	Washer— $\frac{1}{2}$ " shakeproof	9	
	9732086	Tapping Screw—No. 6 \times $\frac{1}{2}$ "	2	
B112	39305081	Accelerator Aperture Cover Plate	2	Not supplied
	9664203	Screw— $\frac{1}{2}$ " UNF. \times $\frac{1}{2}$ "	2	
	2120885	Washer— $\frac{1}{2}$ " shakeproof	2	
B113	39303081	Master Cylinder and Gearbox Cover Plate	5	
	9663123	Screw—No. 10 UNF. \times $\frac{1}{2}$ "	15	
		Washer— $\frac{1}{2}$ " shakeproof	15	
B114	39305081	Handbrake Aperture Cover Plate	3	Not supplied
	9664203	Screw— $\frac{1}{2}$ " UNF. \times $\frac{1}{2}$ "	3	
	2120901	Washer— $\frac{1}{2}$ " shakeproof	3	
B115	9732086	Petrol Filler Pipe Cover	1	
	2206790	Tapping Screw—No. 6 \times $\frac{1}{2}$ "—Cover to Floor	5	
	2206479	SPARE WHEEL CLAMP BRACE ASSEMBLY—R.H.D.	1	
B116	2210415	Spare Wheel Clamp Brace Assembly—L.H.D.	1	See Note 3—Page 223
	W.13461	Spare Wheel Clamp Plate	1	
	19504042	Spare Wheel Clamp Handle	1	
B117	9664162	Bolt— $\frac{1}{2}$ " UNF. \times $\frac{1}{2}$ "	6	} Van except Chassis Cab— Special Order only—Early Models only
	9510041	Washer— $\frac{1}{2}$ " shakeproof	6	
	2206826	Nut— $\frac{1}{2}$ " UNF.	6	
B118	2210415	Spare Wheel Clamp Assembly	1	
	W.13461	Spare Wheel Clamp Plate	1	
	19505052	Spare Wheel Clamp Handle	1	
B119	9664202	Bolt— $\frac{1}{2}$ " UNF. \times $\frac{1}{2}$ "	2	} Passenger, except Caravan Special Order only— Early Models
	9510050	Washer— $\frac{1}{2}$ " shakeproof	2	
	9143052	Nut— $\frac{1}{2}$ " UNF.	2	
B120	9143052	Rivet	6	
	2213980	SPARE WHEEL APERTURE PANEL—O.S. (R.H.)	1	
	2213981	Spare Wheel Aperture Panel—N.S. (L.H.)	1	
A118	2213982	Spare Wheel Aperture Panel—Centre	1	
	2213979	Spare Wheel Locker Lid	1	
	2214515	Rubber Seal—Locker Lid Panel	1	
A119	2214512	Budget Lock—Spare Wheel Locker—O.S. (R.H.)	1	} Bottle Float only
	2214513	Budget Lock—Spare Wheel Locker—N.S. (L.H.)	1	
	H.105230	Escutcheon—Spare Wheel Locker	2	
A120	P.84112	Spare Wheel Strap Assembly	1	
	H.27223	"T" Key—Spare Wheel	1	
	2213998	Protection Panel—Rear Light—O.S. (R.H.)	1	
A121	2213999	Protection Panel—Rear Light—N.S. (L.H.)	1	
	2215983	SPARE WHEEL CARRIER—UNDERFLOOR	1	
	19506101	Bolt— $\frac{1}{2}$ " UNF. \times $\frac{1}{2}$ "	2	
A122	9067034	Washer— $\frac{25}{64}$ " plain	4	} Spare Wheel Carrier to Angle Support Assembly
	9662242	Washer— $\frac{1}{2}$ " double coil	2	
	9510060	Nut— $\frac{1}{2}$ " UNF.	2	
A123	2215992	Angle Support Assembly—Spare Wheel Carrier	1	} Special Order only—All Late Models
	2215991	Angle Clamp	1	
	19504051	Bolt— $\frac{1}{2}$ " UNF. \times $\frac{1}{2}$ "	2	
A124	9067112	Washer— $\frac{1}{2}$ " plain	2	} Angle Clamp to Angle Support
	9664162	Washer— $\frac{1}{2}$ " shakeproof	2	
	9510040	Nut— $\frac{1}{2}$ " UNF.	2	

BODY — UNDERFRAME

Plate Ref.	Part Number	DESCRIPTION	No. per Veh.	REMARKS
A121	2216164	Buffer—Spare Wheel Carrier	1	Special Order only— All Late Models
A122	39304164	Screw— $\frac{1}{2}$ " UNF. \times 1"	1	
A123	9067112	Washer— $\frac{1}{2}$ " plain	2	
A124	9664162	Washer— $\frac{1}{2}$ " shakeproof	1	
A125	9510040	Nut— $\frac{1}{2}$ " UNF.	1	
	19505061	Bolt— $\frac{5}{8}$ " UNF. \times 1"	1	
	19505201	Bolt— $\frac{5}{8}$ " UNF. \times 2 $\frac{1}{2}$ "	2	
	9067027	Washer— $\frac{5}{8}$ " plain	3	
	9664212	Washer— $\frac{5}{8}$ " shakeproof	3	
	9510050	Nut— $\frac{5}{8}$ " UNF.	3	
A126	2215984	Skirt Support and Clamp Assembly	1	
A127	9119065	Grommet—Skirt Support	1	
	9143052	Pop Rivet— $\frac{5}{8}$ "—Skirt Support to Underframe	6	
A128	2215981	Handle Assembly	1	
A129	19504051	Bolt— $\frac{1}{2}$ " UNF. \times $\frac{1}{2}$ "	2	
A130	9067112	Washer— $\frac{1}{2}$ " plain	2	
A131	9664162	Washer— $\frac{1}{2}$ " shakeproof	2	
A132	9510040	Nut— $\frac{1}{2}$ " UNF.	2	
		HALF BULKHEAD ASSEMBLY		Not supplied
	9735081	Tapping Screw—No. 12 \times $\frac{1}{2}$ "	9	Special Order only— See Note 4—Page 223
	9067017	Washer— $\frac{1}{2}$ " plain	9	
	9020050	Spice Nut	9	
	2206294	Attachment Bracket—Bulkhead	4	Not supplied
		Attachment Bracket—Bulkhead—Inner	4	
	9143078	Rivet—Pop—Bulkhead Assembly	17	Special Order only— See Note 5—Page 223
	P.43860 (9143053)	Rivet—Pop—Bulkhead Assembly to Body	4	
	9116001	Grommet—Toeboard	1	1500 Series II
	9119047	Grommet—Toeboard—Heater Pipe Holes	2	
	9116085	Grommet—1-687" dia.—Floor	1	Early Models only
	H.84130 (9119033)	Grommet—Floor	2	
	2203616	Grommet—Petrol Filler Pipe	1	1
	9118537	Grommet—Petrol Filter Breather Pipe	1	
	H.101078 (9119201)	Plug—Floor	4	6
	39304061	Screw— $\frac{1}{2}$ " UNF. \times $\frac{1}{2}$ "	6	
	19504062	Screw— $\frac{1}{2}$ " UNF. \times $\frac{1}{2}$ "	4	4
	9664163	Washer— $\frac{1}{2}$ " shakeproof	4	
	2205932	FLOOR MAT ASSEMBLY—FRONT	1	R.H.D. ... L.H.D. ... R.H.D. ... L.H.D. ... R.H.D. ... L.H.D. ... R.H.D. ... L.H.D. ... R.H.D. ... L.H.D. ...
	9128549 (9128552)	Ring—Prong	10	
	P.43203 (9128521)	Socket	10	
	2205933	Floor Mat Assembly—Front	1	
	9128549 (9128552)	Ring—Prong	10	
	P.43203 (9128521)	Socket	10	
	9128523	Stud—Fastener	10	
	9712086 (9752086)	Tapping Screw—No. 6 \times $\frac{1}{2}$ "—Stud to Floor	10	
	2208064	Floor Mat—Rear Compartment—O.S. (R.H.)	1	
	2208063	Floor Mat—Rear Compartment—N.S. (L.H.)	1	
	2208062	Floor Mat—Rear Compartment—O.S. (R.H.)	1	
	2208065	Floor Mat—Rear Compartment—N.S. (L.H.)	1	
	2217516	Floor Mat—Rear Compartment—O.S. (R.H.)	1	
	2217517	Floor Mat—Rear Compartment—N.S. (L.H.)	1	
	2217518	Floor Mat—Rear Compartment—O.S. (R.H.)	1	
	2217519	Floor Mat—Rear Compartment—N.S. (L.H.)	1	
	2225093	Floor Mat—Rear Compartment—N.S. (L.H.)	1	
	2225094	Floor Mat—Rear Compartment—O.S. (R.H.)	1	
	2204090	Mat—Floor—Front—O.S. (R.H.)—R.H.D.	1	
	2204091	Mat—Floor—Front—N.S. (L.H.)—L.H.D.	1	
	2209454	Mat—Floor—Centre	1	
	2204096	Mat—Floor—Rear	1	

BODY — UNDERFRAME

Plate Ref.	Part Number	DESCRIPTION	No. per Veh.	REMARKS
	2209455	Retainer—Floor Mat—7-25" long	3	Station Wagon Passenger
	2209456	Retainer—Floor Mat—19-25" long	1	
	2209457	Retainer—Floor Mat—16-75" long	2	
	2209458	Mat—Jack	1	
	2209452	Jack Securing Bracket	1	
	2209451	Jack Securing Strap	1	
		<p>Note 1. Used prior to Chassis Nos. listed in Note 2.</p> <p>Note 2. Used on and after Chassis No. 1500/-007548; CKD Chassis No. 1500/-71214/71219-71238.</p> <p>Note 3. Fitted on the following R.H.D. Van Models instead of 2206790. Spare Wheel Clamp Brace Assembly, R.H.D.—1500 /- 219646-219907 / 219909-220012 / 220014-220327/220329-220506/220908-220919/220521-220543/220545-220552/220554-220631-220633-220767 onwards CKD Unaffected.</p> <p>Note 4. Used prior to Chassis Nos. listed in Note 5.</p> <p>Note 5. Used on and after Chassis Nos. 1500/-220463; CKD 1500/-272019.</p> <p>Note 6. Used on and after Chassis No. 1500/-227586—CKD 1500/-275791</p> <p>Note 7. A design change to Floor Mats—Rear Compartment to conform with the new Mechanical Step—Passenger Models.</p> <p>Special Note A. We now advise you that front Suspension Mounting Brackets, Part Nos. 2120836—O.S. and 2120837—N.S., are no longer available. Demands will be met by the reinforced condition—Part Nos. 2216308—O.S. and 2216309—N.S., which should be fitted in pairs. It will be necessary to adapt the Bracket Seating on the Underframe accordingly.</p>		

BODY—FRONT PANEL AND FITTINGS

BODY — FRONT PANEL AND FITTINGS

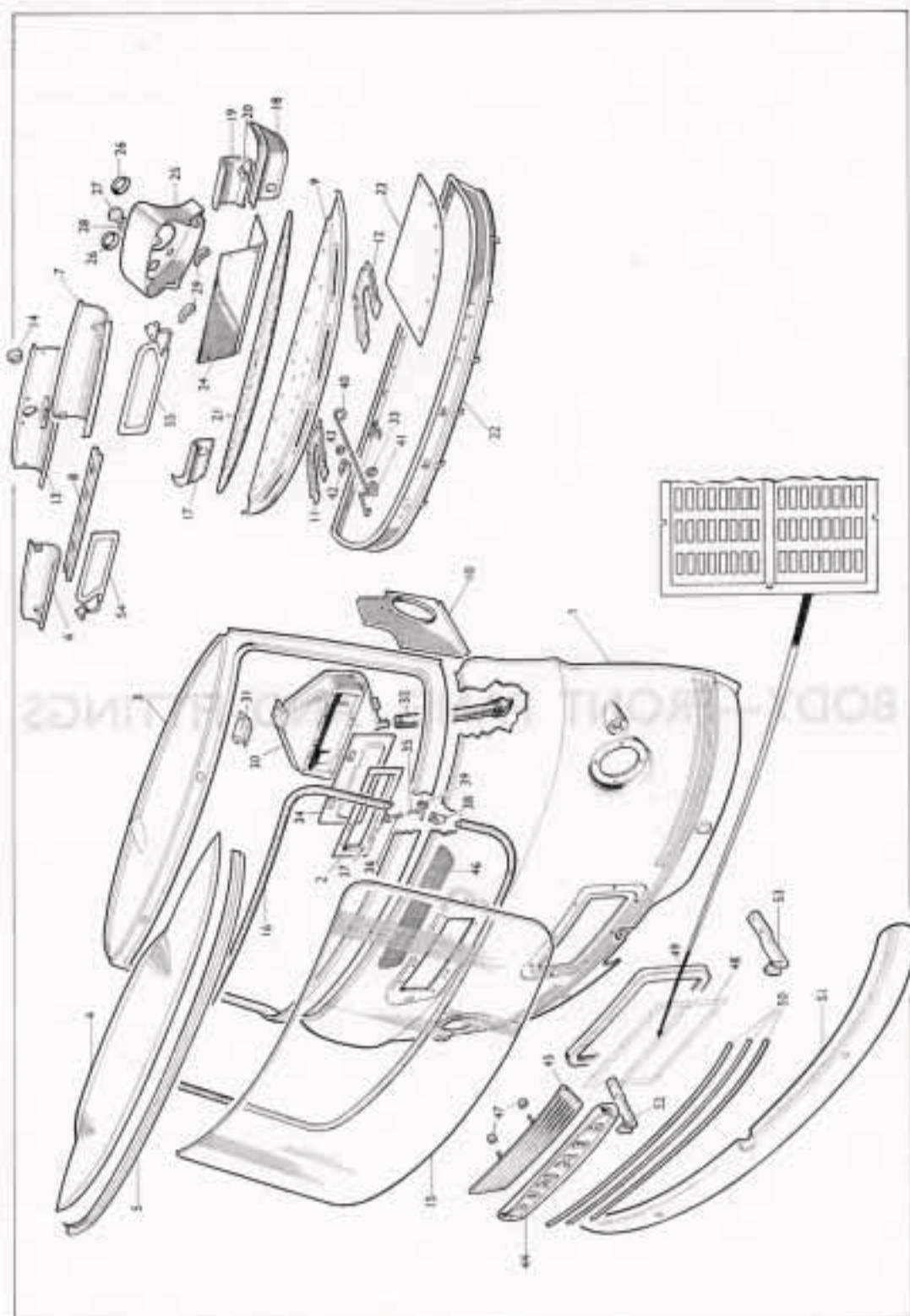


PLATE A

BODY — FRONT PANEL AND FITTINGS

Plate Ref.	Part Number	DESCRIPTION	No. per Veh.	REMARKS	
A1	2120503 (2219345)	FRONT PANEL LOWER	1	Series I } See Note 1— Series II } Page 230 Series I—Service Condition —See Note 1—Page 230 See Note 6—Page 231	
	2219345	Front Panel Lower	1		
	2216357 (2219345)	Front Panel Lower	1		
A2	3023776	Front Panel Lower	1		
	2216352	Angle Heater Box Seal Assembly	1		
	2206691	Windscreen Aperture Panel and Nose Panel	1		
A3	2120502	Windshield Panel	1		
A4	2122165	Panel Under Canopy Assembly	1		
A5	2121940	Drip Moulding—Front	1		
A6	2122052	Windscreen Header End Panel Assembly—O.S. (R.H.)	1		
A7	2122053	Windscreen Header End Panel Assembly—N.S. (L.H.)	1		
A8	2122185	Windscreen Header Centre Panel Assembly	1		
A9	2120790	Rear View Mirror Tapping Plate	2	Sliding Door Van Series I Series II Petrol Models Diesel Models	
	2120939	FACIA PANEL ASSEMBLY	1		
	2218746	Facia Panel Assembly	1		
	P.42958 (9101024)	Plug— $\frac{1}{2}$ " dia.—Heater and Auxiliary Switch Holes	2		
	P.42958 (9121024)	Plug— $\frac{1}{2}$ " dia.—Heater and Auxiliary Switch Holes	1		
	2122168	Parcel Tray Diaphragm Assembly—O.S. (R.H.)	1		
A10	2122169	Parcel Tray Diaphragm Assembly—N.S. (L.H.)	1		
A11	2122170	Steering Column Support Bracket Assembly—O.S. (R.H.)	1		
A12	2122171	Steering Column Support Bracket Assembly—N.S. (L.H.)	1		
A13	2120670	Windscreen Header Panel Cover	1		
	39303081	Screw—No. 10 UNF. $\times \frac{1}{2}$ " } Header Panel Cover	9		
	9663123	Washer— $\frac{5}{8}$ " shakeproof } to	9		
	9067007	Washer— $\frac{5}{8}$ " plain } Front Panel	9		
A14	H.113090	Plaque Assembly—Clock Aperture	1		
	P.43724 (9206504)	Spire Nut—Plaque to Header Cover	3		
A15	2202900 (3057200)	WINDSCREEN GLASS—TOUGHENED } Alternative	1		
	2202901	Windscreen Glass—Laminated	1		
	3057260	Windscreen Glass—Zebra Zoned (Toughened Plate)	1	Used from Chassis No. 338538—CKD 379337	
A16	2202902	Windscreen Weatherstrip	1	Series I	
	2122182	FACIA PANEL END ASSEMBLY—O.S. (R.H.)	1		
	2122183	Facia Panel End Assembly—N.S. (L.H.)	1		
	2120578	Facia Panel Cover Attachment Channel	2		
	9663123	Washer— $\frac{5}{8}$ " shakeproof } Cover Panel	2		
	9510031	Nut—No. 10 UNF. } to Channel	2		
	2203132	Facia Trim Pad Assembly	1		
	P.43574	Clip—Facia Trim Pad	17		
	A17	2218714	FACIA PANEL END ASSEMBLY—O.S. (R.H.)		1
	A18	2218715	Facia Panel End Assembly—N.S. (L.H.)		1
	A19	2218726	Facia Panel Cover		1
A20	9132533	Clip—Facia Panel Cover	2	Series II	
A21	2203132	Facia Trim Pad Assembly	1		
	P.43574	Clip—Facia Trim Pad	17		
A22	2122157 (2225116)	PARCEL RAIL ASSEMBLY	1	Used prior to Chassis No.— See Note 5— Page 231 Used on and after Chassis No.— See Note 5— Page 231	
	2225116	Parcel Rail Assembly	1		
	39303081	Screw—No. 10 UNF. $\times \frac{1}{2}$ " }	6	Early Models	
	9067008	Washer— $\frac{5}{8}$ " plain ... } Parcel Rail to	6		
	9663123	Washer— $\frac{5}{8}$ " shakeproof ... } Diaphragm	6		
	9510031	Nut—No. 10 UNF. ... }	6		
	19504042	Screw— $\frac{1}{4}$ " UNF. $\times \frac{1}{2}$ " } Parcel Tray Channel	8		
	9664163	Washer— $\frac{1}{2}$ " shakeproof } Ends to Body	8		

BODY — FRONT PANEL AND FITTINGS

Plate Ref.	Part Number	DESCRIPTION	No. per Veh.	REMARKS			
A23	19104161	Bolt— $\frac{1}{2}$ " UNF. \times 2"	4	} Late Models } Prior to — See Note 3 } See also Special Note B—Page 231 } See Note 3 and Special Note B—Page 231			
	9510041	Nut— $\frac{1}{2}$ " UNF. ...	4				
	9067097	Washer— $\frac{1}{2}$ " plain ...	4				
	9664163	Washer— $\frac{1}{2}$ " shakeproof ...	4				
	2203154 (2219800)	Parcel Tray Shelf—Side—O.S. (R.H.) ...	1				
	2203155 (2219801)	Parcel Tray Shelf—Side—N.S. (L.H.) ...	1				
	9131031	Clip—Side Shelf to Parcel Tray Channel ...	8				
	2219800	Parcel Tray Shelf—Side—O.S. (R.H.) ...	1				
	2219801	Parcel Tray Shelf—Side—N.S. (L.H.) ...	1				
	9130091	Clip—Side Shelf to Parcel Tray Channel ...	4				
A24	2203156	Parcel Tray Panel—Centre ...	1	} Not required when Heater fitted—See Heater Kit			
	9773065	Tag ...	4				
A25	2202939 (2223076)	Tapping Screw—No. 8 \times $\frac{1}{2}$ "	4	} Parcel Tray—Centre to Parcel Tray Diaphragm			
		Screw	4				
A26	H.122565	Washer } fixing	4	} Parcel Tray			
		INSTRUMENT PANEL	1				
A27	P.43724	Plaque Assembly	2	} Used prior to Chassis No. — See Note 4—Page 231			
		Spire Fix—Plaque to Panel	6				
A28	H.98235	Plug Button ...	1	} Used on and after Chassis No.— See Note 4—Page 231			
		Bezel Plug Button ...	1				
A29	P.43057	Spire Fix—Plug Button to Panel ...	1	} Used on and after Chassis No.— See Note 4—Page 231			
		2223076	INSTRUMENT PANEL		1		
		H.122565	Plaque Assembly		2		
		9206504	Spire Fix—Plaque to Panel		6		
		9101027	Grommet—Plug Button		1		
		9119005	Grommet—Instrument Panel—Warning Light		1		
		2202940	Fixing Bracket—Lower		2		
		19504052	Screw— $\frac{1}{2}$ " UNF. \times $\frac{1}{4}$ "		2		
		9067097	Washer— $\frac{1}{2}$ " plain ...		2		
		9664163	Washer— $\frac{1}{2}$ " shakeproof ...		2		
A30	19104112	Bolt— $\frac{1}{2}$ " UNF. \times $1\frac{1}{2}$ "	2	} Series I—Early Models			
		9067098	Washer— $\frac{1}{2}$ " plain ...		2		
		9664163	Washer— $\frac{1}{2}$ " shakeproof ...		2		
		29704131	Stud— $\frac{1}{2}$ " UNF. \times $1\frac{1}{2}$ "		2		
		9067098	Washer— $\frac{1}{2}$ " plain ...		2		
		9664163	Washer— $\frac{1}{2}$ " shakeproof ...		2		
		9510041	Nut— $\frac{1}{2}$ " UNF. ...		2		
		19504042	Screw— $\frac{1}{2}$ " UNF. \times $\frac{1}{4}$ "		2		
		9067097	Washer— $\frac{1}{2}$ " plain ...		2		
		9664163	Washer— $\frac{1}{2}$ " shakeproof ...		2		
A31	9510041	Nut— $\frac{1}{2}$ " UNF. ...	2	} Series I Late and Series II			
		19504042	Screw— $\frac{1}{2}$ " UNF. \times $\frac{1}{4}$ "		2		
		9067097	Washer— $\frac{1}{2}$ " plain ...		2		
		9664163	Washer— $\frac{1}{2}$ " shakeproof ...		2		
		2122166	HEATER BOX ASSEMBLY		1		
		2216353	Heater Box Assembly		1		
		2216341	Bracket—Heater Box to Body		1		
		19504042	Screw— $\frac{1}{2}$ " UNF. \times $\frac{1}{4}$ "		4		
		19804052	Screw— $\frac{1}{2}$ " UNF. \times $\frac{1}{4}$ "		2		
		9067097	Washer— $\frac{1}{2}$ " plain ...		4		
A32	9664163	Washer— $\frac{1}{2}$ " shakeproof ...	4	} Series I			
		9510041	Nut— $\frac{1}{2}$ " UNF.—Heater Box Top to Front Panel		4		
		19804052	Screw— $\frac{1}{2}$ " UNF. \times $\frac{1}{4}$ "		2		
		9067097	Washer— $\frac{1}{2}$ " plain ...		2		
		9664163	Washer— $\frac{1}{2}$ " shakeproof ...		2		
		39822081	Screw—No. 8 UNC. \times $\frac{1}{2}$ "—Heater Box to Front Panel—Grille Aperture		8		
		2204484	Drain Tube Assembly		1		
		A33	9118527		Grommet ...	1	} Heater Box
					Plug Button ...	1	
			P.49122 (9119598)		Plug Button ...	1	Series I—Early Models

BODY — FRONT PANEL AND FITTINGS

Plate Ref.	Part Number	DESCRIPTION	No. per Veh.	REMARKS
	2205636	AIR VALVE ASSEMBLY	1	Series I
A34	2217687	Air Valve Assembly	1	Series II
A35	2205646	Guide Rod Assembly	1	
A36	2205647	Compression Spring—Guide Rod	1	
A37	2205648	Spherical Washer—Guide Rod	1	
A38		Guide Rod Bracket—Heater Box	1	Not supplied
A39	P.116554	Clip ... } Guide	1	
	9067007	Washer— $\frac{1}{8}$ " plain } Rod	1	
	2205649 (2218561)	Control Rod	1	} See Note 2— Page 230
A40	2218561	Control Rod	1	
A41	P.116554	Clip ... } Control Rod	1	
	9067007	Washer— $\frac{1}{8}$ " plain } to Valve	1	
	2205652 (2218560)	Support Bracket	1	} See Note 2— Page 230
A42	2218560	Support Bracket	1	
A43	9118500	Grommet	1	
	39303060	Screw—No. 10 UNF. $\times \frac{1}{4}$ "	2	
	9067007	Washer— $\frac{1}{8}$ " plain ... } Support Bracket to	2	
	K.21921	Washer— $\frac{1}{8}$ " spring ... } Parcel Tray Rail	2	
	9510030	Nut—No. 10 UNF.	2	
A44	2203130	BADGE—FRONT PANEL	1	
	9067010	Washer— $\frac{1}{8}$ " plain ... } Badge to Front Panel	3	} Series I, II and Early IIA
	9510030	Nut—No. 10 UNF.	3	
	9122010	Rubber Washer	3	
	3018001	Letter "C"	1	} Late Series IIA—See Special Note A—Page 231
	3018002	Letter "O"	1	
	3018003	Letter "M"	2	
	3018004	Letter "E" (2"—square face)	1	
	3018005	Letter "R"	1	
	9206504	Spire Fix } Name Letters ...	6	
	9206524	Spire Fix } to Front Panel ...	8	
	3020905	Letter "C"	1	
	3020906	Letter "O"	1	
	3020907	Letter "M"	2	
	3020908	Letter "E" (2"—bevel face)	1	} See Special Note A —Page 231
	3020909	Letter "R"	1	
	9132945	Blind Bush—Push Fixing—Top ... } Name Letter to ...	6	
	9132947	Blind Bush—Push Fixing—Bottom } Front Panel	8	
	H.112230	Name Badge—"Diesel"	1	
	P.43920	Spring Bush—Diesel—Name Badge to Front Panel	2	Early Condition
	9132947	Blind Bush—Push Fixing—Diesel Name Badge to Front Panel	2	Late Condition
A45	2217779	GRILLE ASSEMBLY—HEATER BOX	1	
A46	2205641	Mesh—Grille	1	
A47	P.49152 (9132936)	Friction Bush	4	
	9122013	Washer— $\frac{1}{8}$ " Rubber } Front Grille	2	
	9067013	Washer— $\frac{1}{8}$ " plain ... } fixing	2	
	9550020	Nut—No. 8 UNC.	2	
A48	2219969	GRILLE ASSEMBLY—RADIATOR COOLING	1	
	H.115790	Clip—Spring } Moulding	1	} Series II and Early Series IIA
	9067001	Washer— $\frac{1}{4}$ " plain } to Mesh	1	
	H.115790	Clip—Spring } Grille Assembly	8	
	9067000	Washer— $\frac{1}{4}$ " plain } to Front Panel	8	
A49	9233560	Seal—Aperture—Radiator Cooling	1	
A50	2203127	MOULDING—FRONT PANEL	3	} Series I, II and Early IIA
	H.115790	Clip—Moulding to Front Panel	6	

BODY — FRONT PANEL AND FITTINGS

Plate Ref.	Part Number	DESCRIPTION	No. per Veh.	REMARKS	
	3058155	GRILLE—RADIATOR COOLING	1	Series IIA Late Condition For Front Panel with separate Side and Flasher Lamps	
	9233560	Seal—Aperture—Radiator Cooling	1		
	3077314	Grille Surround—Upper	1		
	3077315	Grille Surround—Lower	1		
	3024447	Capping—Grille Surround	2		
	9764125	Tapping Screw—No. 10 × 1/4"—Capping to Front Panel	2		
	9129600	Clip—Spring—Grille Surround to Front Panel	10		
A51	2208509	BUMPER—FRONT	1		
		BUMPER—FRONT—Chrome	1		See Special Accessories
A52	2204416	Support Bracket—O.S. (R.H.)	1		
A53	2204417	Support Bracket—N.S. (L.H.)	1	N. America only	
	2202908	Distance Piece	2		
	2204792	Bolt—1/2" UNF.—Special } Support Bracket	2		
	9067041	Washer—1/2" plain ... to	2		
	9660241	Washer—1/2" spring ... Bumper	2		
	9510060	Nut—1/2" UNF.	2		
	1950682	Screw—1/2" UNF. × 1"	4		
	9067107	Washer—1/2" plain ... } Front Bumper to Body	4		
	9661243	Washer—1/2" spring	4		
	2213342	BUMPER—FRONT—Black Finish	1		
	2213340	Support Bracket	2		
	2213341	Iron—Front Bumper	2		
	2204412	Spacer	8		
	2209053	Bolt—1/2" UNF.—Special } Support Bracket	8		
	9067041	Washer—1/2" plain ... to	8		
	9660241	Washer—1/2" spring ... Bumper	8		
	9510060	Nut—1/2" UNF.	8		
	9510060	Nut—1/2" UNF.—Support Bracket to Bumper	8		
	19107141	Bolt—3/8" UNF. × 1 1/2"	2		
	9067052	Washer—3/8" plain ... } Support Bracket	4		
	9661281	Washer—3/8" spring ... to Iron	2		
	9510070	Nut—3/8" UNF.	2		
	1950682	Screw—1/2" UNF. × 1"	4		
	9067107	Washer—1/2" plain ... } Bumper to Body	4		
	9661243	Washer—1/2" spring	4		
A54		SUN VISOR ASSEMBLY—O.S. (R.H.)	1	See Special Accessories	
A55		Sun Visor Assembly—N.S. (L.H.)			
	H.117201 (2117201)	Sun Visor—Full Width	1	See Special Accessories	
		LICENCE HOLDER			
		MIRROR—INTERIOR	1		
		<p>Note 1. We now advise you that Front Panel Assemblies—Part Nos. 2120503 and 2216357 are no longer available. Demands will be met by the supply of the late condition Part No. 2219345.</p> <p>When fitting the late condition Front Panel (Lower) Assembly as a replacement for Series I (Service Condition) it is advisable to also order and fit Radiator Grille Assembly, Part No. 2219969 and appropriate fixings, detailed on Page 229.</p>			
		<p>Note 2. 2205649 and 2205652 are no longer available, customers must order and fit the latest Control Rod and Support Bracket:—</p> <p>i.e., 2218561 Control Rod 1</p> <p>2218560 Support Bracket Control Rod 1</p>			

BODY — FRONT PANEL AND FITTINGS

Plate Ref.	Part Number	DESCRIPTION	No. per Veh.	REMARKS
		<p>Note 3. Used on and after Chassis Nos.:— 1500/-/ 221176—221178/80—221182—221184/91— 221193/4—221196/8—221200/1—221204— 221206—221208—221210/14—221216— 221218—221220/1—221223/4— 221226/7—221229/38—221240/1— 221244/49—221251/8—221261/3— 221265—221267/73—221275/85— 221287/221309—221311/35—221337/45— 221347/57—221359/221413—221415/28— 221430/58—221460/84—221486— 221488/221513—221515/48—221550/82— 221584/95—221597 onwards.</p> <p>Note 4. Used on and after Chassis No. 1500/-/226373— CKD 1500/-/275239.</p> <p>Special Note A. Early and late condition individual letters are not interchangeable, due to the form of the letters —check type before ordering. Spire fixing and Spring Bush—Early and Late Conditions are interchangeable.</p> <p>Note 5. Used on and after Chassis Nos.:— 1500/-/ 227498—227502/3—227508— 227511/12—227514—227517— 227519/20—227522—227524— 227526/36—227538/44—227547/56— 227558/60—227562/67—227569/80— 227582/97—227599/606—227609/618— 227620/25—227627/631—227633/657— 227660/662—227664/683—227685 onwards. CKD 1500/-/275737/742—275749 onwards.</p> <p>Special Note B. 2203155 Parcel Tray Shelf—N.S. (L.H.) is no longer available. Customers must order and fit:— 2219801 Parcel Tray Shelf—N.S. (L.H.) 1 9130091 Clip—Side Shelf to Parcel Tray Channel 2</p> <p>Note 6. Introduction of Frost Panel for Late Series HA with separate Side and Flasher Lamps. From Chassis Nos.: 1500/-/343978 — 343982/3 — 343986 — 343988 — 343990 — 343994 — 343996/344001 — 344004/344010 — 344012/344019 — 344022 — 344024/5 — 344027 — 344032/4 — 344037/8 — 344040 — 344061 onwards. CKD (Pack No. 2398) 1500/-/380867.</p>		

BODY—SIDE PANEL, ROOF AND FITTINGS
(HINGED DOOR VAN AND CHASSIS CAB)

BODY—SIDE PANEL, ROOF AND FITTINGS—(HINGED DOOR VAN AND CHASSIS CAB)

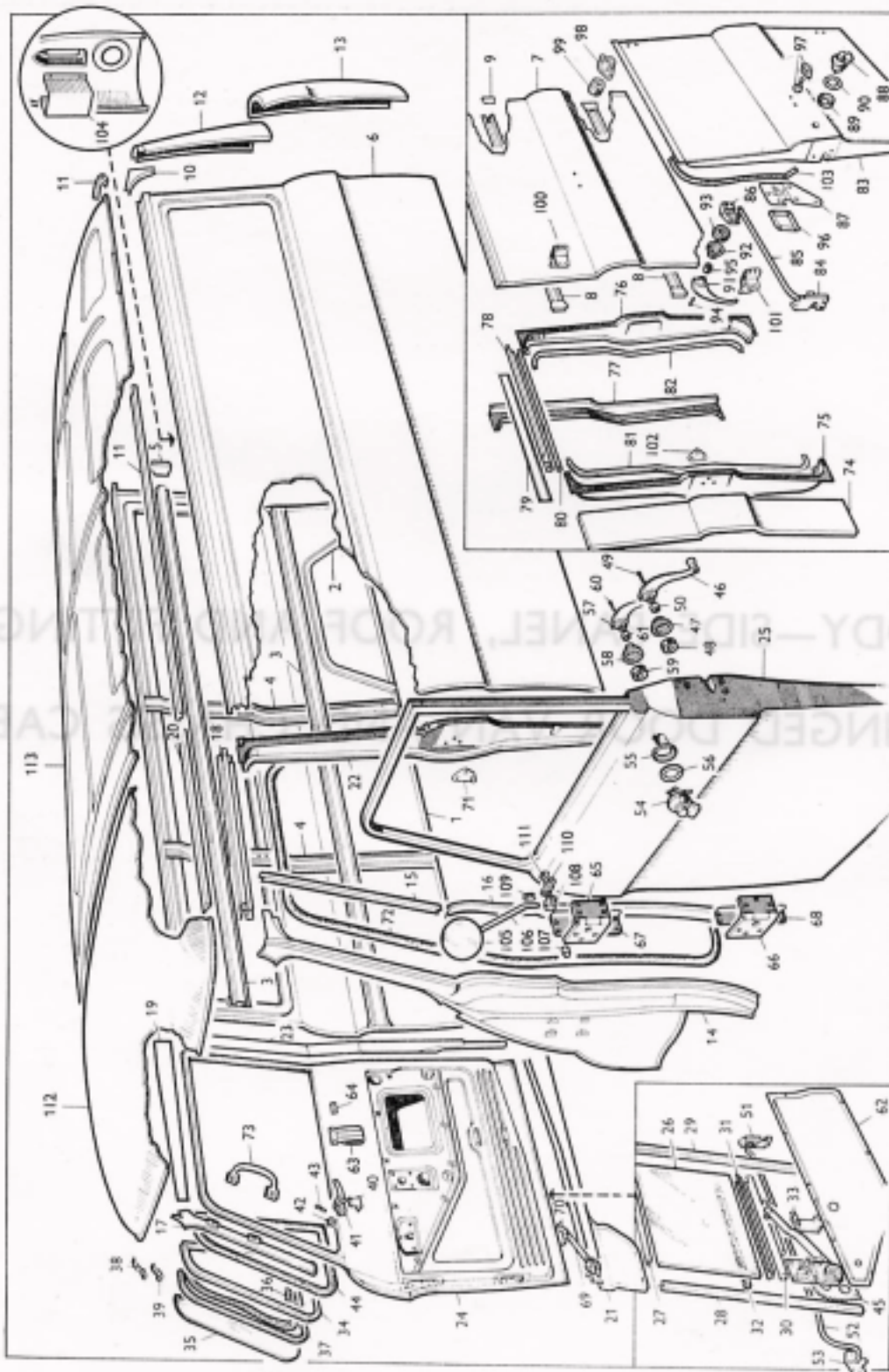


PLATE A

BODY — SIDE PANEL, ROOF AND FITTINGS — (HINGED DOOR VAN AND CHASSIS CAB)

Plate Ref.	Part Number	DESCRIPTION	No. per Veh.	REMARKS
HINGED DOOR VAN				
A1	2120940 (2228090)	BODY SIDE PANEL ASSEMBLY—O.S. (R.H.)	1	All 2-Door Vans: 3-Door Vans—R.H.D. only
A3	2120626 (2225600)	Protection Rail—Horizontal	2	
A4		Protection Rail—Vertical	Not supplied	—See Note 5—Page 242
A5	2120632	Protection Rail End Bracket	3	
	2120632	Protection Rail End Bracket	1	
	2228090	Body Side Panel Assembly—O.S. (R.H.)	1	All 2-Door Vans: 3-Door Vans—R.H.D. only
	2225600	Protection Rail—Horizontal	2	
		Protection Rail—Vertical	Not supplied	—See Note 6—Page 243
	2120632	Protection Rail End Bracket	3	
	2120632	Protection Rail End Bracket	1	1500 Series I
A2	2206872	Rear Wheel Arch Extension Panel Assembly—O.S. (R.H.) ...	1	
	2216391	Rear Wheel Arch Extension Panel	1	1500 Series II
A6	2120941 (2228091)	Body Side Panel Assembly—N.S. (L.H.)	1	All 2-Door Vans: 3-Door Vans—L.H.D. only
	2120626 (2225600)	Protection Rail—Horizontal	2	
		Protection Rail—Vertical	Not supplied	—See Note 5—Page 242
	2120632	Protection Rail End Bracket	3	
	2120632	Protection Rail End Bracket	1	All 2-Door Vans: 3-Door Vans—L.H.D. only
	2228091	Body Side Panel Assembly—N.S. (L.H.)	1	
	2225600	Protection Rail—Horizontal	2	—See Note 6—Page 243
		Protection Rail—Vertical	Not supplied	
	2120632	Protection Rail End Bracket	3	1500 Series I
	2120632	Protection Rail End Bracket	1	
	2206873	Rear Wheel Arch Extension Panel Assembly—N.S. (L.H.) ...	1	1500 Series II
	2216391	Rear Wheel Arch Extension Panel	1	1500 Series I
A7	2120943 (2218733)	Body Side Panel Assembly—N.S. (L.H.)	1	1500 Series I
	2218733 (2228093)	Body Side Panel Assembly—N.S. (L.H.)	1	
A8	2120627 (2225601)	Protection Rail—Horizontal	2	3-Door Van—R.H.D.— See Note 5—Page 242
		Protection Rail—Vertical	Not supplied	
A9	2120632	Protection Rail End Bracket	4	1500 Series II and IIA— 2500 Series—
	2228093	Body Side Panel Assembly—N.S. (L.H.)	1	
	2225601	Protection Rail—Horizontal	2	3-Door Van—R.H.D.— See Note 6—Page 243
		Protection Rail—Vertical	Not supplied	
	2120632	Protection Rail End Bracket	3	1500 Series I
	2120632	Protection Rail End Bracket	1	
	2206873	Rear Wheel Arch Extension Panel Assembly—N.S. (L.H.) ...	1	1500 Series II
	2216391	Rear Wheel Arch Extension Panel	1	1500 Series I
	2120942 (2218732)	Body Side Panel Assembly—O.S. (R.H.)	1	1500 Series II
	2218732 (2228092)	Body Side Panel Assembly—O.S. (R.H.)	1	3-Door Van—L.H.D.— See Note 5—Page 242
	2120627 (2225601)	Protection Rail—Horizontal	2	
		Protection Rail—Vertical	Not supplied	—See Note 6—Page 243
	2120632	Protection Rail End Bracket	4	
	2228092	Body Side Panel Assembly—O.S. (R.H.)	1	1500 Series II and IIA 2500 Series
	2225601	Protection Rail—Horizontal	2	
		Protection Rail—Vertical	Not supplied	3-Door Van—L.H.D.— See Note 6—Page 243
	2120632	Protection Rail End Bracket	3	
	2120632	Protection Rail End Bracket	1	1500 Series I
A2	2206872	Rear Wheel Arch Extension Panel Assembly—O.S. (R.H.) ...	1	
	2216391	Rear Wheel Arch Extension Panel	1	1500 Series II
A10		Gusset—Rear Door Aperture—O.S. (R.H.)	Not supplied	Not supplied
		Gusset—Rear Door Aperture—N.S. (L.H.)	Not supplied	
A11	2121910	DRIP MOULDING—SIDE—O.S. (R.H.)	1	2-Door Van
	2121911	Drip Moulding—Side—N.S. (L.H.)	1	
	2121910	Drip Moulding—Side—O.S. (R.H.)	1	3-Door Van—R.H.D.
	2121913	Drip Moulding—Side—N.S. (L.H.)	1	
	2121912	Drip Moulding—Side—O.S. (R.H.)	1	3-Door Van—L.H.D.
	2121911	Drip Moulding—Side—N.S. (L.H.)	1	

BODY — SIDE PANEL, ROOF AND FITTINGS — (HINGED DOOR VAN AND CHASSIS CAB)

Plate Ref.	Part Number	DESCRIPTION	No. per Veh.	REMARKS
		HINGED DOOR VAN—continued		
	2120520	REAR CORNER PANEL—UPPER—O.S. (R.H.)	1	
A12	2120521	Rear Corner Panel—Upper—N.S. (L.H.)	1	
	2120508	Rear Corner Panel—Lower—O.S. (R.H.)	1	
A13	2120509	Rear Corner Panel—Lower—N.S. (L.H.)	1	
	2225044	Plug Button—Rear Corner Panel—Upper	2	} Series 11A—See Note 6— Page 243
	2225048	Plug Button—Rear Corner Panel—Lower	2	
	2122174 (2216368)	"A" POST PANEL ASSEMBLY—O.S. (R.H.)	1	
	2216368 (2225628)	"A" Post Panel Assembly—O.S. (R.H.)	1	
	2225628	"A" Post Panel Assembly—O.S. (R.H.)	1	
	2121932	Drip Moulding—"A" Post—Upper—O.S. (R.H.)	1	
	2120732 (2216364)	Drip Moulding—"A" Post—Lower—O.S. (R.H.)	1	
	2216364	Drip Moulding—"A" Post—Lower—O.S. (R.H.)	1	
A14	2122175 (2216369)	"A" Post Panel Assembly—N.S. (L.H.)	1	
	2216369 (2225629)	"A" Post Panel Assembly—N.S. (L.H.)	1	
	2225629	"A" Post Panel Assembly—N.S. (L.H.)	1	
A15	2121933	Drip Moulding—"A" Post—Upper—N.S. (L.H.)	1	
A16	2120733 (2216365)	Drip Moulding—"A" Post—Lower—N.S. (L.H.)	1	
	2216365	Drip Moulding—"A" Post—Lower—N.S. (L.H.)	1	
A17	2120668	"A" Post Finisher—O.S. (R.H.)	1	
	2120669	"A" Post Finisher—N.S. (L.H.)	1	
	2120674	Cantrail—Front Door—O.S. (R.H.)	1	
A18	2120675	Cantrail—Front Door—N.S. (L.H.)	1	
A19	2120728	Cantrail Closing Panel—Front Door	2	} Early Condition
	2208378	Cantrail Protection Strip	2	
	2216384	Cantrail Closing Panel—Front Door—O.S. (R.H.)	1	} Late Condition
	2216385	Cantrail Closing Panel—Front Door—N.S. (L.H.)	1	
	2121908	Drip Moulding—Front Door—O.S. (R.H.)	1	
A20	2121909	Drip Moulding—Front Door—N.S. (L.H.)	1	
A21	2120512	SILL PANEL—FRONT DOOR—O.S. (R.H.)	1	
	2120513	Sill Panel—Front Door—N.S. (L.H.)	1	
	H.107112	Buffer—Sill Panel	2	
	2120586 (2228076)	"B" POST PANEL—O.S. (R.H.)	1	} Used prior to Chassis— See Note 7—Page 243
A22	2120587 (2228077)	"B" Post Panel—N.S. (L.H.)	1	
	2228076	"B" Post Panel Assembly—O.S. (R.H.)	1	} Used on and after Chassis No.—See Note 8—Page 243
	2228077	"B" Post Panel Assembly—N.S. (L.H.)	1	
A23	2120742 (2229636)	"B" Post Finisher—O.S. (R.H.)	1	
	2120743 (2229637)	"B" Post Finisher—N.S. (L.H.)	1	
	H.107112	Buffer—"B" Post Panel	2	} Used prior to Chassis No.— See Note 7—Page 243
	2223056	Buffer—"B" Post Panel	2	
	2223012	Packing Piece	4	} Used on and after Chassis No.— See Note 8—Page 243
	39600166	Screw—No. 4 UNC. x 1" } Buffer to "B" Post	4	
A24	2204946	DOOR PANEL ASSEMBLY—FRONT—O.S. (R.H.)	1	} Used prior to Chassis No.— See Note 7, Page 243 and Special Note A—Page 244
A25	2204947	Door Panel Assembly—Front—N.S. (L.H.)	1	
	2225098 (3021430)	Door Panel Assembly—Front—O.S. (R.H.)	1	} Used on and after Chassis No.—See Note 8, Page 243 —up to Note 14, Page 244 —See also Special Note B— Page 244
	2225099 (3021429)	Door Panel Assembly—Front—N.S. (L.H.)	1	
	3021430	Door Panel Assembly—Front—O.S. (R.H.)	1	} See Note 14 and Special Note B—Page 244
	3021429	Door Panel Assembly—Front—N.S. (L.H.)	1	
A26	2202941	Dropping Glass—Door—Front	2	
A27	2202953	Glass Run Channel—Top	2	
	9130104	Clip—Glass Channel	6	
A28	2202954	Glass Run Channel Assy.—Draughtless Ventilator—O.S. (R.H.)	1	
	2202955	Glass Run Channel Assy.—Draughtless Ventilator—N.S. (L.H.)	1	

BODY — SIDE PANEL, ROOF AND FITTINGS — (HINGED DOOR VAN AND CHASSIS CAB)

Plate Ref.	Part Number	DESCRIPTION	No. per Veh.	REMARKS
HINGED DOOR VAN—continued				
A29	2202956	Glass Run Channel Assembly—"B" Post—O.S. (R.H.)	1	
	2202957	Glass Run Channel Assembly—"B" Post—N.S. (L.H.)	1	
	9130104	Clip—Glass Channel	8	
	39303060	Screw—No. 10 UNF. × 1/2" Glass	4	
	H.83295	Washer ... } Channel	4	
A30	2202942	Channel (Glass) Bottom	2	} Used prior to Note 14 & see Special Note B—Page 244
	3055928	Channel Bottom—N.S. (L.H.)	1	
	3055927	Channel Bottom—O.S. (R.H.)	1	
A31	2202991	Weatherstrip—Glass Channel—Bottom	2	} See Note 14 & Special Note B—Page 244
A32	2203223 (2215723)	Weatherstrip—Waist Rail	2	
	P.43647	Clip	8	} Used prior to Chassis No. 1500-/008434
	2216402	Weatherstrip—Waist Rail—O.S. (R.H.)	1	
	2216403	Weatherstrip—Waist Rail—N.S. (L.H.)	1	} Used on and after Chassis No. 1500-/008434 and up to 1500-/015897
	9130071	Clip	10	
	2215723 (2216402/3)	Weatherstrip—Waist Rail	2	} Used on and after Chassis No. 1500-/015897
	9130071	Clip	10	
A33	2122054	Glass Stop Bracket Assembly	2	
	P.49120 (9119595)	Plug—Drain Hole	8	
	2202934	DRAUGHTLESS VENTILATOR ASSEMBLY—O.S. (R.H.)	1	
	2202935	Draughtless Ventilator Assembly—N.S. (L.H.)	1	
A34		Outer Frame		Not supplied
A35	2202936	Glass	2	} Order in Feet
A36	H.100670	Glazing Strip	A/R	
A37		Inner Frame		Not supplied
A38	5037562	Top Pivot Bracket—Outer—O.S. (R.H.)	1	
	5037563	Top Pivot Bracket—Outer—N.S. (L.H.)	1	
A39	5037564	Top Pivot Bracket—Inner—O.S. (R.H.)	1	
	5037565	Top Pivot Bracket—Inner—N.S. (L.H.)	1	
A40	5037561	Locking Plate	2	
A41	H.89382	Locking Handle—O.S. (R.H.)	1	
	H.92375	Locking Handle—N.S. (L.H.)	1	
A42	K.23791	Waved Washer	4	
A43	K.23792	Grooved Pin	2	
A44	2208516	Weatherstrip—O.S. (R.H.)	1	
	2208517	Weatherstrip—N.S. (L.H.)	1	
	39602061	Screw—No. 8 UNC. × 1/2"—Ventilator to Door	6	
A45	2121934	WINDOW REGULATOR ASSEMBLY—O.S. (R.H.)	1	} Used prior to Note 14—See also Special Note B—Page 244
	2121935	Window Regulator Assembly—N.S. (L.H.)	1	
	2223070	Window Regulator Assembly—O.S. (R.H.)	1	
	2223071	Window Regulator Assembly—N.S. (L.H.)	1	
	39304081	Screw—1/2" UNF. × 1/2" } Regulator	8	} See Note 14 and Special Note B—Page 244
	9664163	Washer—1/2" shakeproof } to Door	8	
A46	2218559	Window—Regulator Handle Assembly	2	
A47	H.114165	Escutcheon	2	
A48	2203160	Pad—Escutcheon	2	} Handle to Door
A49	H.108236	Cross Pin	2	
A50	9122188	Pad—Handle Pin	2	
A51	5037588	LOCK ASSEMBLY—FRONT DOOR—O.S. (R.H.)	1	
	5037587	Lock Assembly—Front Door—N.S. (L.H.)	1	
A52	5037584	Link—Front Door—O.S. (R.H.)	1	
	5037583	Link—Front Door—N.S. (L.H.)	1	} See Note 3—Page 242
A53	5037590	Remote Control Assembly—Front Door—O.S. (R.H.)	1	
	5037589	Remote Control Assembly—Front Door—N.S. (L.H.)	1	

BODY — SIDE PANEL, ROOF AND FITTINGS — (HINGED DOOR VAN AND CHASSIS CAB)

Plate Ref.	Part Number	DESCRIPTION	No. per Veh.	REMARKS
		HINGED DOOR VAN—continued		
	5038177	Lock Assembly—Front Door—O.S. (R.H.)	1	} See Note 4— Page 242
	5038178	Lock Assembly—Front Door—N.S. (L.H.)	1	
	5038181	Link—Front Door—O.S. (R.H.)	1	
	5038182	Link—Front Door—N.S. (L.H.)	1	
	5038179	Remote Control Assembly—Front Door—O.S. (R.H.)	1	
	5038180	Remote Control Assembly—Front Door—N.S. (L.H.)	1	
	K.29918	Rivet ... } Lock and ...	4	
	9075011	Waved Washer } Remote Control ...	4	
	9071124	Shim ... } to Link ...	4	
	39303081	Screw—No. 10 UNF. × 1/2" } Lock and ...	12	
	9663122	Washer—5/8" shakeproof } Remote Control ...	12	
	9067010	Washer—5/8" plain ... } to Door ...	6	
	2203158	HANDLE ASSEMBLY—FRONT DOOR—OUTSIDE—O.S. (R.H.) LOCKING	1	} When ordering always quote Number stamped on lock
	H.115971	Cylinder Lock } F.P. ...	1	
	H.111745	Key ... } Series ...	2	
A54	2203159	Handle Assembly—Front Door—Outside—N.S. (L.H.)—Non-Locking	2	
A55	2218963	Attachment Plate	2	
A56	H.114768	Gasket	2	} Handle to Door
	9663102	Washer—5/8" shakeproof	4	
	9550020	Nut—No. 8 UNC.	4	
A57	H.105472	HANDLE ASSEMBLY—FRONT DOOR—INSIDE	2	
A58	H.114165	Escutcheon	2	} Handles to Door
A59	2203160	Pad—Escutcheon	2	
A60	H.108236	Cross Pin	2	
A61	9122188	Pad—Handle Pin	2	
A62	2120620	REGULATOR ACCESS COVER PLATE—FRONT DOOR—O.S. (R.H.)	1	
	2120621	Regulator Access Cover Plate—Front Door—N.S. (L.H.)	1	
	9733106	Tapping Screw—No. 8 × 1/2"	18	} Cover Plate to Door
	9067095	Washer—5/8" plain	18	
	9020042	Spire Nut	18	
A63	2206222	LOOP—FRONT DOOR PULL	2	} Early Condition— Series I
A64	2206223	Plate—Door Pull Loop	2	
	9733086	Screw—No. 8 × 1/2"—Loop to Door	4	} Early Models
	39802081	Screw—No. 8 UNC. × 1/2"—Loop to Door	4	
	H.118625	Pull—Door	2	} Late Condition— Series I, II and IIA
	2221746	Tapped Plate—Door Pull	2	
	39423122	Screws—Pull to Door	4	} 2500 Series
	2223093	BADGE—FRONT DOOR	2	
	9132944	Friction Bush	4	
	2121960	HINGE—UPPER—FRONT DOOR—O.S. (R.H.)	1	} Used prior to Chassis No. —See Note 7—Page 243
A65	2121961	Hinge—Upper—Front Door—N.S. (L.H.)	1	
	2121962	Hinge—Lower—Front Door—O.S. (R.H.)	1	} Used on and after Chassis No.—See Note 8— Page 243
A66	2121963	Hinge—Lower—Front Door—N.S. (L.H.)	1	
	39215120	Screw—5/8" UNF. × 1"—Hinge to Door	14	
	39225144	Screw—5/8" UNF. × 1"—Hinge to "A" Post	12	
	2224042	Hinge—Upper—Front Door—O.S. (R.H.)	1	
	2224043	Hinge—Upper—Front Door—N.S. (L.H.)	1	
	2224044	Hinge—Lower—Front Door—O.S. (R.H.)	1	
	2224045	Hinge—Lower—Front Door—N.S. (L.H.)	1	
	39215120	Screw—5/8" UNF. × 1"—Hinge to Door	14	
	39225184	Screw—5/8" UNF. × 1 1/2"—Hinge to "A" Post	12	
	39305064	Screw—5/8" UNF. × 1"—Hinge to Support Plate	4	
	2120678	Hinge Cover Plate—Upper—O.S. (R.H.)	1	
A67	2120679	Hinge Cover Plate—Upper—N.S. (L.H.)	1	

BODY — SIDE PANEL, ROOF AND FITTINGS — (HINGED DOOR VAN AND CHASSIS CAB)

Plate Ref.	Part Number	DESCRIPTION	No. per Veh.	REMARKS
HINGED DOOR VAN—continued				
A68	2120680	Hinge Cover Plate—Lower—O.S. (R.H.)	1	
	2120681	Hinge Cover Plate—Lower—N.S. (L.H.)	1	
	9732086	Tapping Screw—No. 6 × 1/4"—Cover Plate to "A" Post	16	
A69	2121998 (2225092)	CHECK ARM ASSEMBLY—FRONT DOOR	2	
	2225092	Check Arm Assembly—Front Door	2	
A70	H.116241	Rivet—Check Arm to Door	2	
	2120770	Bracket—Check Arm	2	
	19505052	Screw—5/8" UNF. × 1" } Bracket	4	
	9664203	Washer—5/8" shakeproof } to Body	4	
	H.114708	STRIKER—FRONT DOOR LOCK—O.S. (R.H.)	1	} See Note 1— Page 242
	H.114709	Striker—Front Door Lock—N.S. (L.H.)	1	
A71	2121922	Striker—Front Door Lock—O.S. (R.H.)	1	} See Note 2— Page 242
	2121923	Striker—Front Door Lock—N.S. (L.H.)	1	
	2218552	Washer—Packing—Striker—Door Lock	A/R	
	39104100	Screw—1/2" UNF. × 1/2"—Striker to Body	6	
	2202950	WEATHERSTRIP — FRONT DOOR APERTURE — O.S. (R.H.)	1	} See Note 13— Page 244
A72	2202951 (2202950)	Weatherstrip—Front Door Aperture—N.S. (L.H.)	1	
	P.49288	Clip—Weatherstrip	60	
A73	2203131 (5200520)	GRAB HANDLE—"A" POST	2	
	39313101	Screw—No. 10 UNF. × 1/2" } Grab Handle	4	
	9663123	Washer—5/8" shakeproof } to "A" Post	4	
A74	2120653	"B"—"C" POST PANEL—R.H.D.	1	
	2120534	"B"—"C" Post Panel—L.H.D.	1	
A75	2122057 (2225635)	POST ASSEMBLY—SIDE DOOR—STRIKER—R.H.D.	1	}
	2122056 (2225634)	Post Assembly—Side Door—Striker—L.H.D.	1	
	2225635	Post Assembly—Side Door—Striker—R.H.D.	1	
	2225634	Post Assembly—Side Door—Striker—L.H.D.	1	
A76	2122058	Post Assembly—Side Door—Hinged—R.H.D.	1	
	2122059	Post Assembly—Side Door—Hinged—L.H.D.	1	
A77	2120781 (2229639)	Finisher Panel—"C" Post—R.H.D.	1	}
	2120780 (2229638)	Finisher Panel—"C" Post—L.H.D.	1	
	2120780 (2229638)	Finisher Panel—"D" Post—R.H.D.	1	
	2120781 (2229639)	Finisher Panel—"D" Post—L.H.D.	1	
A78	2120700	CANTRAIL—SIDE DOOR	1	
A79	2120778	Cantrail Closing Panel	1	} Early Condition Late Condition
	2228050	Cantrail Closing Panel	1	
	2216549	Seal—Sponge Rubber—Cantrail	1	
	2121914	Drip Moulding—Side Door	1	
A80	2121995	Finisher Strip—Top—Side Door	1	} 3-Door Van } Used Prior to Chassis No.— See Note 9— Page 243
A81	2121945	Finisher Strip—"C" Post—R.H.D.	1	
A82	2121944	Finisher Strip—"C" Post—L.H.D.	1	}
	2121944	Finisher Strip—"D" Post—R.H.D.	1	
	2121945	Finisher Strip—"D" Post—L.H.D.	1	
	2228079	Finisher Strip—Upper } "C" Post—R.H.D.	1	} Used on and after Chassis No.— See Note 10 Page 243
	2228081	Finisher Strip—Lower } "C" Post—L.H.D.	1	
	2228078	Finisher Strip—Upper } "C" Post—L.H.D.	1	
	2228080	Finisher Strip—Lower } "C" Post—L.H.D.	1	
	2228078	Finisher Strip—Upper } "D" Post—R.H.D.	1	
	2228080	Finisher Strip—Lower } "D" Post—R.H.D.	1	
	2228079	Finisher Strip—Upper } "D" Post—L.H.D.	1	
	2228081	Finisher Strip—Lower } "D" Post—L.H.D.	1	
A83	2204975 (2228099)	DOOR PANEL ASSEMBLY—SIDE—N.S. (L.H.)—R.H.D.	1	
	2204974 (2228098)	Door Panel Assembly—Side—O.S. (R.H.)—L.H.D.	1	
	2228097 (2228099)	Door Panel Assembly—Side—N.S. (L.H.)—R.H.D.	1	
	2228096 (2228098)	Door Panel Assembly—Side—O.S. (R.H.)—L.H.D.	1	

BODY — SIDE PANEL, ROOF AND FITTINGS — (HINGED DOOR VAN AND CHASSIS CAB)

Plate Ref.	Part Number	DESCRIPTION	No. per Veh.	REMARKS
		HINGED DOOR VAN—continued		
	2228099	Door Panel Assembly—Side—N.S. (L.H.)—R.H.D. ...	1	
	2228098	Door Panel Assembly—Side—O.S. (R.H.)—L.H.D. ...	1	
	2223072	Buffer—Top—Side Door ...	1	
	2223056	Buffer—Bottom—Side Door ...	1	
	2223012	Packing Piece ...	4	
	39400166	Screw—No. 4 UNC. × 1"—Buffer to Side Door ...	A/R	
A84	5037588	LOCK ASSEMBLY—SIDE DOOR—N.S. (L.H.)—R.H.D. ...	1	} See Note 3— Page 242
	5037587	Lock Assembly—Side Door—O.S. (R.H.)—L.H.D. ...	1	
A85	5037586	Link—Side Door—N.S. (L.H.)—R.H.D. ...	1	
	5037585	Link—Side Door—O.S. (R.H.)—L.H.D. ...	1	
A86	5037590	Remote Control Assembly—Side Door—N.S. (L.H.)—R.H.D.	1	} See Note 4— Page 242
	5037589	Remote Control Assembly—Side Door—O.S. (R.H.)—L.H.D.	1	
	5038177	Lock Assembly—Side Door—N.S. (L.H.)—R.H.D. ...	1	
	5038178	Lock Assembly—Side Door—O.S. (R.H.)—L.H.D. ...	1	
	5038184	Link—Side Door—N.S. (L.H.)—R.H.D. ...	1	
	5038183	Link—Side Door—O.S. (R.H.)—L.H.D. ...	1	
	5038179	Remote Control Assembly—Side Door—N.S. (L.H.)—R.H.D.	1	
	5038180	Remote Control Assembly—Side Door—O.S. (R.H.)—L.H.D.	1	
	K. 29918	Rivet ...	2	
	9075011	Waved Washer } Lock and Remote Control to Link ...	2	
	9071124	Shim ...	2	
A87	2122069	Remote Control Bracket Assembly—Side Door—N.S. (L.H.)— R.H.D. ...	1	} 3-Door Van
	2122068	Remote Control Bracket Assembly—Side Door—O.S. (R.H.)— L.H.D. ...	1	
	3930301	Screw—No. 10 UNF. × ½" } Lock and ...	6	
	9663122	Washer—½" shakeproof } Remote Control ...	6	
	9067010	Washer—½" plain } to Side Door ...	3	
	3930401	Screw—½" UNF. × ½" } Remote Control ...	6	
	9664163	Washer—½" shakeproof } Bracket to ...	6	
	9067017	Washer—½" plain } Side Door ...	6	
A88	2205159	HANDLE ASSEMBLY—SIDE DOOR—OUTSIDE ...	1	
A89	2218963	Attachment Plate ...	1	
A90	H.114768	Gasket ...	1	
	9663102	Washer—½" shakeproof } Handle to Door ...	2	
	9550020	Nut—No. 8 UNC. ...	2	
A91	H.105472	HANDLE ASSEMBLY—SIDE DOOR—INSIDE ...	1	
A92	H.114165	Escutcheon ...	1	
A93	2205160	Pad—Escutcheon } Handle ...	1	
A94	H.108236	Cross Pin } to Door ...	1	
A95	9122188	Pad—Handle Pin ...	1	
A96	2120721	REMOTE CONTROL ACCESS COVER PLATE — SIDE DOOR ...	3	
	9733089	Tapping Screw—No. 8 × ½" } ...	12	
	9020042	Spiral Nut ... } Cover Plate to Door ...	12	
	9067095	Washer—½" plain ...	12	
A97	H.97575	CATCH—MALE—SIDE DOOR RETAINING ...	1	} Used prior to Chassis No.—See Note 11— Page 243
	39204101	Screw—½" UNF. × ½"—Catch to Door ...	2	
	2216443	Washer—Seating—Catch—Male ...	1	
A98	H.97574	Catch—Female—Door Retaining ...	1	
A99	H.97576	Bush—Door Retaining ...	1	
	39204101	Screw—Catch to Side Panel ...	2	
	9122013	Rubber Washer—Catch to Body Side ...	2	

BODY — SIDE PANEL, ROOF AND FITTINGS — (HINGED DOOR VAN AND CHASSIS CAB)

Plate Ref.	Part Number	DESCRIPTION	No. per Veh.	REMARKS
		HINGED DOOR VAN—continued		
	2222276	Catch—Male—Side Door Retaining	1	} Used on and after Chassis No.—See Note 12—Page 243
	2223974	Washer—Seating—Catch—Male	1	
	2222278	Side Door Catch Assembly	1	
	19504052	Screw— $\frac{1}{4}$ " UNF. \times $\frac{1}{2}$ "	2	
	9664163	Washer— $\frac{1}{4}$ " shakeproof	2	
	9067097	Washer— $\frac{1}{4}$ " plain	2	
A100	2122045	HINGE—UPPER—SIDE DOOR—N.S. (L.H.)	1	
A101	2122043	Hinge—Lower—Side Door—N.S. (L.H.)	1	
	2122044	Hinge—Upper—Side Door—O.S. (R.H.)	1	
	2122042	Hinge—Lower—Side Door—O.S. (R.H.)	1	
	19105229	Bolt— $\frac{5}{8}$ " UNF. \times $2\frac{1}{4}$ "	2	} 3-Door Van
	19105139	Bolt— $\frac{5}{8}$ " UNF. \times $1\frac{1}{4}$ "	2	
	9510051	Nut— $\frac{5}{8}$ " UNF.	4	
	9664203	Washer—Shakeproof	4	
	39305104	Screw— $\frac{5}{8}$ " UNF. \times $\frac{1}{2}$ "	7	
	9664203	Washer— $\frac{5}{8}$ " shakeproof	7	
	2214788	Seal—Rubber—Side Door Hinge	2	
	2214787	Retainer—Seal	2	
	9722065	Tapping Screw—Retainer—No. 6 \times $\frac{1}{2}$ "	4	
	H.114708	STRIKER—SIDE DOOR LOCK—N.S. (L.H.)—R.H.D.	1	
A102	H.114709	Striker—Side Door Lock—O.S. (R.H.)—L.H.D.	1	
	2121922	Striker—Side Door Lock—N.S. (L.H.)—R.H.D.	1	} See Note 2—Page 242
	2121923	Striker—Side Door Lock—O.S. (R.H.)—L.H.D.	1	
	2218552	Washer—Packing—Striker—Door Lock	A/R	} N. America on and after Chassis No. 1500/015543
	39104081	Screw— $\frac{1}{4}$ " UNF. \times $\frac{1}{2}$ "—Striker to Body	3	
A103	2203241	WEATHERSTRIP—SIDE DOOR	1	
A104	2203907	STOP TAIL LAMP COVER	2	
	9733083	Tapping Screw—No. 8 \times $\frac{1}{2}$ " Cover	2	
	P.43327	Spire Nut	2	
	2208476	Filler Piece—O.S. (R.H.)	1	
	2208477	Filler Piece—N.S. (L.H.)	1	
	9732066	Tapping Screw—No. 6 \times $\frac{1}{2}$ "—Cover to Body	4	
A105	5037591	MIRROR—EXTERIOR	2	
	2216970	Mirror—Exterior Assembly—R.H.	1	
	2216971	Mirror—Exterior Assembly—L.H.	1	
	5037596	Nut—Mirror Head Fixings	2	
	5038034	Mirror Arm—O.S. (R.H.)	1	
A106	5038035	Mirror Arm—N.S. (L.H.)	1	
A107	9022035	Nut—Domed	2	
A108	5037593	Clamp	2	
A109	5037597	Sleeve	2	
A110	2203384	Bracket	2	
A111	2203234	Bolt	2	
	39313101	Screw—No. 10 UNF. \times $\frac{1}{2}$ " Mirror	4	
	9663123	Washer— $\frac{5}{8}$ " shakeproof	4	
	2208554	Jack Fixing Plate and Strap Assembly	1	
	2208559	Channel—Jack Locating	1	
A112	2120500	ROOF PANEL—FRONT	1	
A113	2120501	Roof Panel—Rear	1	
	2120624	Roof Sorage Support Bracket	6	
	2203974	VENTILATOR—ROOF	1	
	2215551	Collar Ventilator—Required only with Tropical Roof Insulation	1	
	19503042	Screw—No. 10 UNF. \times $\frac{1}{2}$ "	10	
	9660123	Washer— $\frac{5}{8}$ " spring	10	
	9067095	Washer— $\frac{5}{8}$ " plain	10	
	2204098	Mesh—Ventilator	1	
	2214501	VENTILATOR—ROOF	1	

BODY — SIDE PANEL, ROOF AND FITTINGS — (HINGED DOOR VAN AND CHASSIS CAB)

Plate Ref.	Part Number	DESCRIPTION	No. per Veh.	REMARKS
HINGED DOOR VAN—continued				
2214503		Gauze	1	Alternative—Special Order only
2214502		Collar	1	
2214504		Grille	1	
9773086		Tapping Screw—No. 8 × 1/2"	4	
2215552		Reinforcing Ring—Not required with Tropical Roof Insulation	1	
19503042		Screw—No. 10 UNF. × 1"	4	
9510031		Nut—No. 10 UNF.	4	
9663123		Washer—3/8" shakeproof	4	
2219891		Blanking Plate	1	
19503031		Screw—No. 10 UNF. × 3/8"	10	
K.21921		Washer—3/8" spring	10	} Not supplied
9067014		Washer—1/2" plain	10	
2509801		ROOF LINING ASSEMBLY	1	
		Insulation—Roof—Bitumen Impregnated Ragfoll	4	
		Staple	31	
		Insulation Pad—Roof Inflex	17	
2215553		Listing Rail—No. 1—Green	1	
2215554		Listing Rail—No. 2-3-4-5—Yellow	4	
2215555		Listing Rail—No. 6—Black	1	
2215556		Listing Rail—No. 7—Blue	1	
2215557		Listing Rail—No. 8—Red	1	
2204597		Fixing Lug—Listing Rail	16	Not supplied
9733086		Tie Bracket—Listing Rail	2	Special Order only when Tropical Roof Insulation Fitted
9663102		Tapping Screw—No. 8 × 1/2" Tie Bracket	4	
9130032		Washer—3/8" shakeproof to Body	4	
2204594		Trim Clip	100	
9222085		Finisher Strip (Aluminium)—Header	2	
9067120		Tapping Screw—No. 6 × 1/2" Finisher Strip	8	
2121980		Washer—3/8" plain	8	
2121979		Headlining Retainer—Side	2	
9732086		Headlining Retainer—Rear	1	
2211419		Tapping Screw—No. 6 × 1/2"—Retainer to Body	52	
2211418		Side Plate Assembly—O.S. (R.H.)	1	
9732086		Side Plate Assembly—N.S. (L.H.)	1	
2211423		Screw—No. 5 × 1/2"—Side Plate to Cantail	64	
2211422		Corner Plate Assembly—O.S. (R.H.)	1	
9732086		Corner Plate Assembly—N.S. (L.H.)	1	
		Screw—No. 6 × 1/2"—Corner Plate to Cantail	10	
<p>Note 1. Part Numbers H.114708/9 Striker Plates have triangular Striker projections.</p> <p>Note 2. Part Numbers 2121922/3 Striker Plates have radiused Striker projections.</p> <p>Note 3. Fitted to Vehicles with Part Numbers H.114708/9 Strikers (Triangular Striker Projections).</p> <p>Note 4. Fitted to Vehicles with Part Numbers 2121922/3 Strikers (Radiused Striker Projections).</p> <p align="center">CHECK TYPE BEFORE ORDERING.</p> <p>Note 5. Used prior to Chassis Not.—See Note 6.</p>				

BODY — SIDE PANEL, ROOF AND FITTINGS — (HINGED DOOR VAN AND CHASSIS CAB)

Plate Ref.	Part Number	DESCRIPTION	No. per Veh.	REMARKS
		<p>HINGED DOOR VAN—continued</p> <p>Note 6. Used on and after Chassis Nos 1500(—/ 227535—227537/8—227541 227546—227614—227623— 227627/8—227631—227649/50— 227653—227655—227665— 227669—227671/2—227675— 227677/8—227680/3—227685/9— 227691/815— 227817 onwards. CKD—275773.</p> <p>Note 7. Used prior to Chassis Nos.—See Note 8.</p> <p>Note 8. Used on all Front Hinged Door Models—Fitted from Chassis Nos.— 227560—227562/67—227569/80— 227599/606—227609/18—227620/25— 227627/57—227660/2—227664/683— 227685 onwards. CKD—275749.</p> <p>Note 9. Used prior to Chassis Nos.—See Note 10.</p> <p>Note 10. Design change to 3rd Door incorporating Dovetail Buffers and Reinforcements to give improved rigidity: Used on and after Chassis Nos.— 227357/84—227386/9—227391/5— 227397/8—227400—227404/6— 227408/13—227415/18—227420/22— 227424/28—227430/32—227434/48— 227450/56—227458/70—227472/517— 227519/650—227652/57—227660/71— 227673/77—227679/702—227704/14— 227716/59—227762/80—227782/84— 227787/89—227799/811—227813/4— 227816/25—227827/38—227840— 227842/64—227866—227868/73— 227875/80—227882—227884— 227886—227888—227890 227894/946—227948/50— 227952/3—227956/8—227960/86— 227987/228014—228016/7— 228019/21—228025— 228028 onwards. CKD—275659/88—275701/66— 275785/800—275809/26— 275833/62—275869/74— 275881/98—275905/10— 275917/46—275953/58— 275965 onwards.</p> <p>Note 11. Used prior to Chassis Nos.—See Note 12.</p> <p>Note 12. Used on and after Chassis No.:— VTD 228251 ; CKD 276139.</p>		

BODY -- SIDE PANEL, ROOF AND FITTINGS -- (HINGED DOOR VAN AND CHASSIS CAB)

Plate Ref.	Part Number	DESCRIPTION	No. per Veh.	REMARKS
		<p>HINGED DOOR VAN--continued</p> <p>Special Note A. - Series I--Early Condition Side Door was a Flush Panel Type--Late Condition Series I and with introduction of Series II, Side Doors have a recessed Top Panel. Used prior to the introduction of Side Doors with reinforced Hinges--2228096 Door Panel Assembly--Side--O.S. (R.H.)--L.H.D. is no longer available--Demands will be met by the supply of 2228098 Door Panel Assembly (Reinforced)--See Note 10.</p> <p>Note 13. You are advised that 2302951 Weatherstrip--Front Door Aperture--N.S. (L.H.) is no longer used in production. Customers must now order 2302950 Weatherstrip, which can be used for either O.S. (R.H.) or N.S. (L.H.) application as required.</p> <p>Note 14. Used on and after Chassis No. 233842 -- CKD 277909.</p> <p>Special Note B. Introduction of design change to the Front Doors to accommodate the new Window Regulators and Channel Bottoms. The new Regulator with larger clutch cannot be fitted to the old Door Assembly, but the old type Regulator can be fitted to the new Door Assembly.</p>		

BODY — SIDE PANEL, ROOF AND FITTINGS — (HINGED DOOR VAN AND CHASSIS CAB)

Plate Ref.	Part Number	DESCRIPTION	No. per Veh.	REMARKS
		CHASSIS CAB		
	2122174 (2216368)	"A" POST PANEL ASSEMBLY—O.S. (R.H.)	1	
	2216368 (2225628)	"A" Post Panel Assembly—O.S. (R.H.)	1	
	2225628	"A" Post Panel Assembly—O.S. (R.H.)	1	
	2121932	Drip Moulding—"A" Post—Upper—O.S. (R.H.)	1	
	2120732 (2216364)	Drip Moulding—"A" Post—Lower—O.S. (R.H.)	1	
	2216364	Drip Moulding—"A" Post—Lower—O.S. (R.H.)	1	
A14	2122175 (2216369)	"A" Post Panel Assembly—N.S. (L.H.)	1	
	2216369 (2225629)	"A" Post Panel Assembly—N.S. (L.H.)	1	
	2225629	"A" Post Panel Assembly—N.S. (L.H.)	1	
A15	2121933	Drip Moulding—"A" Post—Upper—N.S. (L.H.)	1	
A16	2120733 (2216365)	Drip Moulding—"A" Post—Lower—N.S. (L.H.)	1	
	2216365	Drip Moulding—"A" Post—Lower—N.S. (L.H.)	1	
A17	2120668	"A" Post Finisher—O.S. (R.H.)	1	
	2120669	"A" Post Finisher—N.S. (L.H.)	1	
	2120674	CANTRAIL—FRONT DOOR—O.S. (R.H.)	1	
A18	2120675	Cantrail—Front Door—N.S. (L.H.)	1	
A19	2120728	Cantrail Closing Panel—Front Door	2	} Early Condition
	2208378	Cantrail Protection Strip	2	
	2216384	Cantrail Closing Panel—Front Door—O.S. (R.H.)	1	} Late Condition
	2216385	Cantrail Closing Panel—Front Door—N.S. (L.H.)	1	
	2121908	Drip Moulding—Front Door—O.S. (R.H.)	1	
A20	2121909	Drip Moulding—Front Door—N.S. (L.H.)	1	
A21	2120512	SILL PANEL—FRONT DOOR—O.S. (R.H.)	1	
	2120513	Sill Panel—Front Door—N.S. (L.H.)	1	
	H.107112	Buffer—Sill Panel	2	
	2120586 (2228076)	"B" POST PANEL—O.S. (R.H.)	1	
A22	2120587 (2228077)	"B" Post Panel—N.S. (L.H.)	1	
	2228076	"B" Post Panel—O.S. (R.H.)	1	
	2228077	"B" Post Panel—N.S. (L.H.)	1	
A23	2120742 (2229636)	"B" Post Finisher—O.S. (R.H.)	1	
	2120743 (2229637)	"B" Post Finisher—N.S. (L.H.)	1	
	H.107112	Buffer—"B" Post Panel	2	} See Note 5—Page 249
	2223956	Buffer—"B" Post Panel	2	
	2223912	Packing Piece	A/R	} See Note 6—Page 249
	39600166	Screw—No. 4 UNC. x 1" } Buffer to "B" Post	4	
	2206307	BULKHEAD PANEL ASSEMBLY—UPPER...	1	
	2206301	Bulkhead Panel—Intermediate	1	
	2206309	Bulkhead Reinforcement—Upper—Intermediate	1	
	2206308	Bulkhead Reinforcement—Vertical—Intermediate	2	
	2206306	Bulkhead Reinforcement—Lower—Intermediate	1	
	2206295	Bulkhead Panel—Lower	1	
	2206296	Bulkhead Extension Panel—O.S. (R.H.)	1	
	2206297	Bulkhead Extension Panel—N.S. (L.H.)	1	
	2206298	Panel—"B" Post to Extension—O.S. (R.H.)	1	
	2206299	Panel—"B" Post to Extension—N.S. (L.H.)	1	
	2206310	Drip Moulding—Short—O.S. (R.H.)	1	
	2206311	Drip Moulding—Short—N.S. (L.H.)	1	
	2206294	Bulkhead Attachment Bracket	4	
	2211414	Bulkhead Attachment Bracket—Inner	5	} No longer supplied
	9735081	Tapping Screw—No. 12 x 1" } Bulkhead to	9	
	9020050	Spac Nut } Attachment	9	
	9067018	Washer—1/2" plain } Bracket	9	
	2206339	BACKLIGHT GLASS	1	
	2206340	Weatherstrip—Backlight Glass	1	

BODY — SIDE PANEL, ROOF AND FITTINGS — (HINGED DOOR VAN AND CHASSIS CAB)

Plate Ref.	Part Number	DESCRIPTION	No. per Veh.	REMARKS
CHASSIS CAB—continued				
A24	2204946	DOOR PANEL ASSEMBLY—FRONT—O.S. (R.H.) ...	1	} See Note 5 and Special Note A—Page 249
A25	2204947	Door Panel Assembly—Front—N.S. (L.H.) ...	1	
	2225098 (3021430)	Door Panel Assembly—Front—O.S. (R.H.) ...	1	
	2225099 (3021429)	Door Panel Assembly—Front—N.S. (L.H.) ...	1	
	3021430	Door Panel Assembly—Front—O.S. (R.H.) ...	1	
	3021429	Door Panel Assembly—Front—N.S. (L.H.) ...	1	
A26	2202941	Dropping Glass—Door—Front ...	2	
A27	2202953	Glass Run Channel—Top ...	2	
	9130104	Clip—Glass Channel ...	6	
A28	2202954	Glass Run Channel Assembly—Draughtless Ventilator—O.S. (R.H.) ...	1	
	2202955	Glass Run Channel Assembly—Draughtless Ventilator—N.S. (L.H.) ...	1	
A29	2202956	Glass Run Channel Assembly—"B" Post—O.S. (R.H.) ...	1	
	2202957	Glass Run Channel Assembly—"B" Post—N.S. (L.H.) ...	1	
	9130104	Clip—Glass Channel ...	8	
	39303060	Screw—No. 10 UNF. x 1/2" } Glass ...	4	
	H.81295	Washer ... } Channel ...	4	
A30	2202942	Channel—Glass—Bottom ...	2	} Used prior to Note 7—See also Special Note A—Page 249
	3055927	Channel Bottom—O.S. (R.H.) ...	1	
	3055928	Channel Bottom—N.S. (L.H.) ...	1	} See Note 7 and Special Note A—Page 249
A31	2202991	Weatherstrip—Glass Channel Bottom ...	2	
A32	2203223 (2215723)	Weatherstrip—Waist Rail ...	2	} Used prior to Chassis No. 1500-/008434
	P.41647	Clip ...	8	
	2216402	Weatherstrip—Waist Rail—O.S. (R.H.) ...	1	} Used on and after Chassis No. 1500-/008434 and up to 1500-/015897
	2216403	Weatherstrip—Waist Rail—N.S. (L.H.) ...	1	
	9130071	Clip ...	10	} Used on and after Chassis No. 1500-/015897—CKD 1500-/72347
	2215723 (2216402/3)	Weatherstrip—Waist Rail ...	2	
	9130071	Clip ...	10	
A33	2122054	Glass Stop Bracket Assembly ...	2	} Used prior to Note 7—See also Special Note A—Page 249
	P.49120 (9119595)	Plug—Drain Hole ...	8	
	2202934	DRAUGHTLESS VENTILATOR ASSEMBLY—O.S. (R.H.) ...	1	
	2202935	Draughtless Ventilator Assembly—N.S. (L.H.) ...	1	
A34		Outer Frame ...		Not supplied
A35	2202936	Glass ...	2	} Order in feet
A36	H.100670	Glazing Strip ...	A/R	
A37		Inner Frame ...		Not supplied
A38	5037562	Top Pivot Bracket—Outer—O.S. (R.H.) ...	1	} See Note 7 and Special Note A—Page 249
	5037563	Top Pivot Bracket—Outer—N.S. (L.H.) ...	1	
A39	5037564	Top Pivot Bracket—Inner—O.S. (R.H.) ...	1	} See Note 7 and Special Note A—Page 249
	5037565	Top Pivot Bracket—Inner—N.S. (L.H.) ...	1	
A40	5037561	Locking Plate ...	2	} See Note 7 and Special Note A—Page 249
A41	H.89382	Locking Handle—O.S. (R.H.) ...	1	
	H.92375	Locking Handle—N.S. (L.H.) ...	1	} See Note 7 and Special Note A—Page 249
A42	K.23791	Waved Washer ...	4	
A43	K.23792	Grooved Pin ...	2	} See Note 7 and Special Note A—Page 249
A44	2208516	Weatherstrip—O.S. (R.H.) ...	1	
	2208517	Weatherstrip—N.S. (L.H.) ...	1	
	39602061	Screw—No. 8 UNC. x 1/2"—Ventilator to Door ...	6	
A45	2121934	WINDOW REGULATOR ASSEMBLY—O.S. (R.H.) ...	1	} Used prior to Note 7—See also Special Note A—Page 249
	2121935	Window Regulator Assembly—N.S. (L.H.) ...	1	
	2223070	Window Regulator Assembly—O.S. (R.H.) ...	1	
	2223071	Window Regulator Assembly—N.S. (L.H.) ...	1	

BODY — SIDE PANEL, ROOF AND FITTINGS — (HINGED DOOR VAN AND CHASSIS CAB)

Plate Ref.	Part Number	DESCRIPTION	No. per Veh.	REMARKS
		CHASSIS CAB—continued		
	39304081	Screw— $\frac{1}{4}$ " UNF. \times $\frac{1}{4}$ " } Regulator	8	
	9664163	Washer— $\frac{1}{4}$ " shakeproof } to Door	8	
A46	2218359	Window Regulator Handle Assembly	2	
A47	H.114165	Escutcheon	2	
A48	2203160	Pad—Escutcheon } Handle	2	
A49	H.108236	Cross Pin ... } to Door	2	
A50	9122188	Pad—Handle Pin	2	
A51	5037588	LOCK ASSEMBLY—FRONT DOOR—O.S. (R.H.)	1	
	5037587	Lock Assembly—Front Door—N.S. (L.H.)	1	
A52	5037584	Link—Front Door—O.S. (R.H.)	1	} See Note 3— Page 249
	5037583	Link—Front Door—N.S. (L.H.)	1	
A53	5037590	Remote Control Assembly—Front Door—O.S. (R.H.)	1	
	5037589	Remote Control Assembly—Front Door—N.S. (L.H.)	1	
	5038177	Lock Assembly—Front Door—O.S. (R.H.)	1	
	5038178	Lock Assembly—Front Door—N.S. (L.H.)	1	
	5038181	Link—Front Door—O.S. (R.H.)	1	} See Note 4— Page 249
	5038182	Link—Front Door—N.S. (L.H.)	1	
	5038179	Remote Control Assembly—Front Door—O.S. (R.H.)	1	
	5038180	Remote Control Assembly—Front Door—N.S. (L.H.)	1	
	K.29918	Rivet	4	
	9075011	Waved Washer } Lock and Remote Control to Link	4	
	9071124	Shim	4	
	39303081	Screw—No. 10 UNF. \times $\frac{1}{4}$ " } Lock and	12	
	9663122	Washer— $\frac{3}{8}$ " shakeproof } Remote Control	12	
	9067010	Washer— $\frac{3}{8}$ " plain ... } to Door	6	
	2203158	HANDLE ASSEMBLY—FRONT DOOR—OUTSIDE—O.S. (R.H.)—LOCKING	1	
	H.115971	Cylinder Lock } F.P.	1	} When ordering always quote Number stamped on Lock
	H.111745	Key ... } Series	2	
A54	2203159	Handle Assembly—Front Door Outside—N.S. (L.H.)—Non-Locking	2	
A55	2218963	Attachment Plate	2	
A56	H.114768	Gasket	2	
	9663102	Washer— $\frac{3}{8}$ " shakeproof } Handle	2	
	9550020	Nut—No. 8 UNC. ... } to Door	4	
A57	H.105472	HANDLE ASSEMBLY—FRONT DOOR—INSIDE	2	
A58	H.114165	Escutcheon	2	
A59	2203160	Pad—Escutcheon } Handle	2	
A60	H.108236	Cross Pin ... } to Door	2	
A61	9122188	Pad—Handle Pin	2	
A62	2120620	REGULATOR ACCESS COVER PLATE—FRONT DOOR—O.S. (R.H.)	1	
	2120621	Regulator Access Cover Plate—Front Door—N.S. (L.H.)	1	
	9733106	Tapping Screw—No. 8 \times $\frac{1}{4}$ "	18	
	9067095	Washer— $\frac{3}{8}$ " plain ... } Cover Plate to Door	18	
	9020042	Spire Nut	18	
A63	2206222	LOOP—FRONT DOOR PULL	2	
A64	2206223	Plate—Door Pull Loop	2	} Early Condition Series I
	9733086	Screw—No. 8 \times $\frac{1}{4}$ "—Loop to Door ... Early Models	4	
	39802081	Screw—No. 8 UNC. \times $\frac{1}{4}$ "—Loop to Door ... Late Models	4	
	H.118625	Pull—Door	2	} Late Condition Series I, II and IIA
	2221746	Tapped Plate—Door Pull	2	
	39423122	Screw—Pull to Door	4	
	2223093	BADGE—FRONT DOOR	2	} 2500 Series
	9132944	Friction Bush	4	

BODY — SIDE PANEL, ROOF AND FITTINGS — (HINGED DOOR VAN AND CHASSIS CAB)

Plate Ref.	Part Number	DESCRIPTION	No. per Veh.	REMARKS
		CHASSIS CAB—continued		
	2121960	HINGE—UPPER—FRONT DOOR—O.S. (R.H.)	1	
A65	2121961	Hinge—Upper—Front Door—N.S. (L.H.)	1	
	2121962	Hinge—Lower—Front Door—O.S. (R.H.)	1	See Note 5— Page 249
A66	2121963	Hinge—Lower—Front Door—N.S. (L.H.)	1	
	39215120	Screw— $\frac{1}{2}$ " UNF. \times $\frac{1}{4}$ "—Hinge to Door	14	
	39225144	Screw— $\frac{1}{2}$ " UNF. \times $\frac{1}{4}$ "—Hinge to "A" Post	12	
	2120678	Hinge—Cover Plate—Upper—O.S. (R.H.)	1	
A67	2120679	Hinge—Cover Plate—Upper—N.S. (L.H.)	1	
	2120680	Hinge—Cover Plate—Lower—O.S. (R.H.)	1	
A68	2120681	Hinge—Cover Plate—Lower—N.S. (L.H.)	1	
	2224042	Hinge—Upper—Front Door—N.S. (L.H.)	1	See Note 6—Page 249
	2224043	Hinge—Upper—Front Door—O.S. (R.H.)	1	
	2224044	Hinge—Lower—Front Door—N.S. (L.H.)	1	
	2224045	Hinge—Lower—Front Door—O.S. (R.H.)	1	
	39215120	Screw— $\frac{1}{2}$ " UNF. \times $\frac{1}{4}$ "—Hinge to Door	14	
	39225184	Screw— $\frac{1}{2}$ " UNF. \times $\frac{1}{4}$ "—Hinge to "A" Post	12	
	39205064	Screw— $\frac{1}{2}$ " UNF. \times $\frac{1}{4}$ "—Hinge to Support Plate	4	
	9732086	Tapping Screw—No. 6 \times $\frac{1}{4}$ "—Cover Plate to "A" Post	16	
A69	2121998 (2225092)	CHECK ARM ASSEMBLY—FRONT DOOR	2	
		Check Arm Assembly—Front Door	2	
	H.116241	Rivet—Check Arm to Door	2	
A70	2120770	Bracket—Check Arm	2	
	19505052	Screw— $\frac{1}{2}$ " UNF. \times $\frac{1}{2}$ " } Bracket	4	
	9664203	Washer— $\frac{1}{2}$ " shakproof } to Body	4	
	H.114708	STRIKER—FRONT DOOR LOCK—O.S. (R.H.)	1	See Note 1—Page 249
	H.114709	Striker—Front Door Lock—N.S. (L.H.)	2	
	2121922	Striker—Front Door Lock—O.S. (R.H.)	1	See Note 2—Page 249
A71	2121923	Striker—Front Door Lock—N.S. (L.H.)	1	
	2218552	Washer—Packing—Striker—Door Lock	A/R	
	39104100	Screw— $\frac{1}{2}$ " UNF. \times $\frac{1}{4}$ "—Striker to Body	6	
	2202950	WEATHERSTRIP — FRONT DOOR APERTURE — O.S. (R.H.)	1	
A72	2202951 (2202950)	Weatherstrip—Front Door Aperture—N.S. (L.H.)	1	
	P.49288	Clip—Weatherstrip	60	
A73	2203131 (5200520)	GRAB HANDLE—"A" POST	2	
	39313061 (39313101)	Screw—No. 10 UNF. \times $\frac{1}{2}$ " } Grab Handle	4	
	9663123	Washer— $\frac{1}{2}$ " shakproof } to "A" Post	4	
A105	5037591	MIRROR—EXTERIOR	2	} N. America on and after Chassis No. 1500/-015543
	2216970	Mirror—Exterior Assembly—R.H.	1	
	2216971	Mirror—Exterior Assembly—L.H.	1	
	5037596	Nut—Mirror Head Fixing	2	
	5038034	Mirror Arm—O.S. (R.H.)	1	
A106	5038035	Mirror Arm—N.S. (L.H.)	1	
A107	9022035	Nut—Domed	2	
A108	5037593	Clamp	2	
A109	5037597	Sleeve ... } Mirror Arm Fixing	2	
A110	2203384	Bracket	2	
A111	2203234	Bolt	2	
	39313101	Screw—No. 10 UNF. \times $\frac{1}{2}$ " } Mirror	4	
	9663123	Washer— $\frac{1}{2}$ " shakproof } to Door	4	
	2208554	Jack Fixing Plate and Strap Assembly	1	} Used on vehicles fitted with Cold Start Device only— Not supplied
	2208559	Channel—Jack Locating	1	
		Support Bracket—Jack—O.S. (R.H.)		
		Support Bracket—Jack—N.S. (L.H.)		
A112	2120500	ROOF PANEL—FRONT	1	

BODY — SIDE PANEL, ROOF AND FITTINGS — (HINGED DOOR VAN AND CHASSIS CAB)

Plate Ref.	Part Number	DESCRIPTION	No. per Veh.	REMARKS
		<p>CHASSIS CAB—continued</p> <p>Note 1. Part Numbers H.114708/9 Striker Plates have Triangular Striker Projections.</p> <p>Note 2. Part Numbers 2121922/3 Striker Plates have radiused Striker Projections.</p> <p>Note 3. Fitted to vehicles with Part Numbers H.114708/9 Striker (Triangular Striker Projections).</p> <p>Note 4. Fitted to vehicles with Part Numbers 212922/3 Strikers (Radiused Striker Projections). CHECK TYPE BEFORE ORDERING.</p> <p>Note 5. Used prior to Chassis Nos.—See Note 6.</p> <p>Note 6. Used on all Front Hinged Door Models from Chassis Nos.:—1500/-/ 227560—227562/7—227569/80— 227599/606—227609/19—227620/25— 227627/57—227660/2—227664/83— 227685 onwards. CKD—1500/-/275749.</p> <p>Note 7. Used on and after Chassis No. 1500—233842 — CKD 1500/-/277909</p> <p>Special Note A. Introduction of a design change to the Front Doors to accommodate the new Window Regulators and Channel Bottoms. The new Regulators with larger clutch cannot be fitted to the old Door Assembly, but the old type Regulator can be fitted to the new Door Assembly.</p>		

BODY—SIDE PANEL, ROOF AND FITTINGS
(SLIDING DOOR VAN AND
BOTTLE FLOAT)

BODY — SIDE PANEL, ROOF AND FITTINGS — (SLIDING DOOR VAN AND BOTTLE FLOAT)

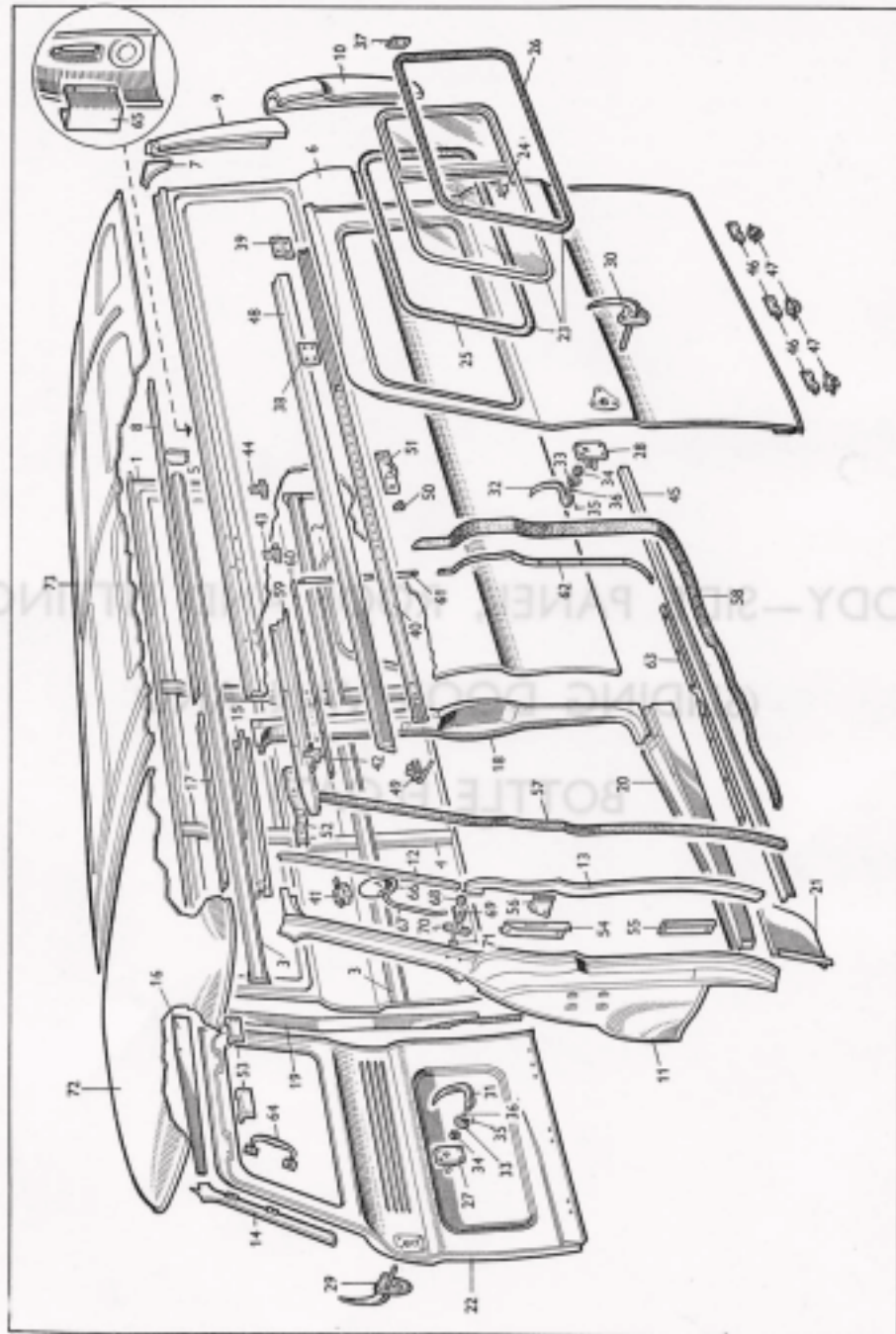


PLATE A

BODY — SIDE PANEL, ROOF AND FITTINGS — (SLIDING DOOR VAN AND BOTTLE FLOAT)

Plate Ref.	Part Number	DESCRIPTION	No. per Veh.	REMARKS
SLIDING DOOR VAN				
A1	2120940 (2228090)	BODY SIDE PANEL ASSEMBLY—O.S. (R.H.)	1	
A3	2120626 (2225600)	Protection Rail—Horizontal	2	
A4		Protection Rail—Vertical	2	Not supplied
A5	2120632	Protection Rail End Bracket	3	
	2120632	Protection Rail End Bracket	1	
	2228090	Body Side Panel Assembly—O.S. (R.H.)	1	
	2225600	Protection Rail—Horizontal	2	
		Protection Rail—Vertical	2	Not supplied
	2120632	Protection Rail End Bracket	3	
	2120632	Protection Rail End Bracket	1	
A2	2206872	Rear Wheel Arch Extension Panel Assembly—O.S. (R.H.)	1	1500 Series I
	2216391	Rear Wheel Arch Closing Panel Assembly	1	1500 Series II
A6	2120941 (2228091)	Body Side Panel Assembly—N.S. (L.H.)	1	
	2120626 (2225600)	Protection Rail—Horizontal	2	Not supplied
		Protection Rail—Vertical	2	
	2120632	Protection Rail End Bracket	3	
	2120632	Protection Rail End Bracket	1	
	2228091	Body Side Panel Assembly—N.S. (L.H.)	1	
	2225600	Protection Rail—Horizontal	2	Not supplied
		Protection Rail—Vertical	2	
	2120632	Protection Rail End Bracket	3	
	2120632	Protection Rail End Bracket	1	
	2206873	Rear Wheel Arch Extension Panel Assembly—N.S. (L.H.)	1	1500 Series I
	2216391	Rear Wheel Arch Closing Panel Assembly	1	1500 Series II
A7		Gasket—Rear Door Aperture—O.S. (R.H.)	1	Not supplied
		Gasket—Rear Door Aperture—N.S. (L.H.)	1	
	2121910	DRIP MOULDING—SIDE—O.S. (R.H.)	1	
A8	2121911	Drip Moulding—Side—N.S. (L.H.)	1	
	2120520	REAR CORNER PANEL—UPPER—O.S. (R.H.)	1	
A9	2120521	Rear Corner Panel—Upper—N.S. (L.H.)	1	
	2120508	Rear Corner Panel—Lower—O.S. (R.H.)	1	
A10	2120509	Rear Corner Panel—Lower—N.S. (L.H.)	1	
	2225044	Plug Button—Rear Corner Panel—Upper	2	See Note 3—Page 258
	2225048	Plug Button—Rear Corner Panel—Lower	2	
	2122176 (2216370)	"A" POST PANEL ASSEMBLY—O.S. (R.H.)	1	
	2216370 (2228088)	"A" Post Panel Assembly—O.S. (R.H.)	1	
	2228088	"A" Post Panel Assembly—O.S. (R.H.)	1	
	2121932	Drip Moulding—"A" Post—Upper—O.S. (R.H.)	1	
	2120762 (2216366)	Drip Moulding—"A" Post—Lower—O.S. (R.H.)	1	
	2216366	Drip Moulding—"A" Post—Lower—O.S. (R.H.)	1	
	2214966	Seal Retainer	1	
A11	2122177 (2216371)	"A" Post Panel Assembly—N.S. (L.H.)	1	
	2216371 (2228089)	"A" Post Panel Assembly—N.S. (L.H.)	1	
	2228089	"A" Post Panel Assembly—N.S. (L.H.)	1	
	2121933	Drip Moulding—"A" Post—Upper—N.S. (L.H.)	1	
A12		Drip Moulding—"A" Post—Lower—N.S. (L.H.)	1	
A13	2120763 (2216367)	Drip Moulding—"A" Post—Lower—N.S. (L.H.)	1	
	2216367	Drip Moulding—"A" Post—Lower—N.S. (L.H.)	1	
	2214967	Seal Retainer	1	
A14	2120668	"A" Post Finisher—O.S. (R.H.)	1	
	2120669	"A" Post Finisher—N.S. (L.H.)	1	
	2120674	CANTRAIL—SLIDING DOOR—O.S. (R.H.)	1	
A15	2120675	Cantrail—Sliding Door—N.S. (L.H.)	1	
A16	2120728	Cantrail Closing Panel	2	Early condition Late condition
	2222807	Cantrail Closing Panel	2	
	2121908	Drip Moulding—Sliding Door—O.S. (R.H.)	1	
A17	2121909	Drip Moulding—Sliding Door—N.S. (L.H.)	1	

BODY — SIDE PANEL, ROOF AND FITTINGS — (SLIDING DOOR VAN AND BOTTLE FLOAT)

Plate Ref.	Part Number	DESCRIPTION	No. per Veh.	REMARKS	
		SLIDING DOOR VAN—continued			
A18	2120588	"B" POST PANEL—SLIDING DOOR—O.S. (R.H.) ...	1	} See Note 1—Page 258	
	2120589	"B" Post Panel—Sliding Door—N.S. (L.H.) ...	1		
	2221734	"B" Post Panel—Sliding Door—O.S. (R.H.) ...	1	} See Note 2 and 4—Page 258	
	2221735	"B" Post Panel—Sliding Door—N.S. (L.H.) ...	1		
A19	2228086	"B" Post Panel—Sliding Door—O.S. (R.H.) ...	1	} See Note 5—Page 258	
	2228087	"B" Post Panel—Sliding Door—N.S. (L.H.) ...	1		
	2120742	"B" Post Finisher—O.S. (R.H.) ...	1		
	2120743	"B" Post Finisher—N.S. (L.H.) ...	1		
A20	2120524	SILL PANEL—SLIDING DOOR—O.S. (R.H.) ...	1		
	2120525	Sill Panel—Sliding Door—N.S. (L.H.) ...	1		
A21	2120606	Sill Panel—Sliding Door—Lower—O.S. (R.H.) ...	1		
	2120607	Sill Panel—Sliding Door—Lower—N.S. (L.H.) ...	1		
A22	2204954 (2221724)	FRONT DOOR PANEL ASSEMBLY—SLIDING—O.S. (R.H.)	1		
	2204955 (2221725)	Front Door Panel Assembly—Sliding—N.S. (L.H.)	1		
	2221724	Front Door Panel Assembly—Sliding—O.S. (R.H.)	1		
	2221725	Front Door Panel Assembly—Sliding—N.S. (L.H.)	1		
A23	2208056	SLIDING WINDOW ASSEMBLY—O.S. (R.H.)	1		
	2208057	Sliding Window Assembly—N.S. (L.H.)...	1		
	2203161	Glass—Fixed ...	2	} Not supplied	
		Deflector ...	2		
	9233060	Glazing Rubber—Fixed Glass ...	2		
	2203173	Glass—Sliding ...	2		
	9233059	Glazing Rubber—Sliding Glass ...	2		
	2213036	Draught Excluder—Sliding Glass ...	2		
	A24	2208055	Catch—Hinged ...		2
		2211492	Finger Pull—O.S. (R.H.) ...		1
2211493		Finger Pull—N.S. (L.H.) ...	1		
2206388		Backing Plate ...	4		
	Screw—4 BA × 3/8"—Backing Strip ...	16			
A25	2208242	Weatherstrip—O.S. (R.H.) ...	1		
	2208243	Weatherstrip—N.S. (L.H.) ...	1		
A26	2208134	Weatherstrip Filler ...	2		
A27	2121942	LOCK ASSEMBLY—SLIDING DOOR—O.S. (R.H.)	1	} See Note 1—Page 258	
A28	2121943	Lock Assembly—Sliding Door—N.S. (L.H.) ...	1		
	2218610	Lock Assembly—Sliding Door—O.S. (R.H.) ...	1	} See Note 2—Page 258	
	2218611	Lock Assembly—Sliding Door—N.S. (L.H.) ...	1		
A29	39304201	Screw—1/2" UNF. × 1 1/2" } Sliding	8		
	9664163	Washer—1/2" shakeproof } Door Lock	8		
	2203178	HANDLE ASSEMBLY—SLIDING DOOR — OUTSIDE — O.S. (R.H.)—LOCKING ...	1	See Note 1—Page 258	
		2218593	Handle Assembly—Sliding Door—Outside—O.S. (R.H.)—Locking ...	1	See Note 2—Page 258
	H.1111745	Key—O.S. (R.H.) Lock—F.P. Series ...	2	} When ordering always quote number stamped on lock	
A30	2203179	HANDLE ASSEMBLY — SLIDING DOOR — OUTSIDE — N.S. (L.H.) — NON-LOCKING ...	1		See Note 2—Page 258
		2218592	Handle Assembly — Sliding Door — Outside — N.S. (L.H.) — Non-Locking ...	1	See Note 2—Page 258
	39203080	Screw—No. 10 UNF. × 1/2"—Handles to Doors ...	6		
A31	2203184	HANDLE—INSIDE DOOR LOCK—O.S. (R.H.)	1		
A32	2203185	Handle—Inside Door Lock—N.S. (L.H.)	1		
A33	2203183	Escutcheon—Inside Handles ...	2		
A34	2203160	Packing Washer—Escutcheon } Handles	2		
A35	H.108236	Cross Pin ... } to Door	2		
A36	9122188	Pad—Handle Pin ... }	2		
A37	2122014	Stop—Sliding Door ...	2		
	39304101	Screw—1/2" UNF. × 1/2" } Stop to	4		
	9664163	Washer—1/2" shakeproof } Door	4		

BODY — SIDE PANEL, ROOF AND FITTINGS — (SLIDING DOOR VAN AND BOTTLE FLOAT)

Plate Ref.	Part Number	DESCRIPTION	No. per Veh.	REMARKS
		SLIDING DOOR VAN—continued		
	2223093	BADGE—FRONT DOOR	2	} 2500 Series
	9132944	Friction Bush	4	
	2120712	SUPPORT BRACKET—DOOR—UPPER—FRONT—O.S. (R.H.)	1	
A38	2120713	Support Bracket—Door—Upper—Front—N.S. (L.H.)	1	
A39	2120611	Support Bracket—Door—Upper—Rear	2	
	19505044	Screw— $\frac{3}{8}$ " UNF. \times $\frac{1}{2}$ "	8	
	9067101	Washer— $\frac{3}{8}$ " plain	8	} Support Brackets to Door
	9664203	Washer— $\frac{3}{8}$ " shakeproof	8	
	39105084	Screw— $\frac{3}{8}$ " UNF. \times $\frac{1}{2}$ "—Door Support Brackets—To Track	8	
A40	2121974	TRACK—UPPER—SLIDING DOOR	2	
	39104081	Screw— $\frac{1}{2}$ " UNF. \times $\frac{1}{2}$ "	2	
	9664163	Washer— $\frac{1}{2}$ " shakeproof	2	} Track Rod to Front Bracket
	9510041	Nut— $\frac{1}{2}$ " UNF.	2	
	39104081	Screw— $\frac{1}{2}$ " UNF. \times $\frac{1}{2}$ "—Track to Intermediate and Rear Brkt.	6	
	9067069	Washer— $\frac{1}{2}$ " plain—Track to Bracket	8	
A41	2120610	Track Bracket—Front	2	
A42	2214991	Track Bracket Assembly—Front—Intermediate	2	
A43	2214999	Track Bracket Assembly—Rear—Intermediate	2	
A44	2214999	Track Bracket Assembly—Rear	2	
	2121936	TRACK—LOWER—SLIDING DOOR—O.S. (R.H.)	1	
A45	2121937	Track—Lower—Sliding Door—N.S. (L.H.)	1	
	19505052	Screw— $\frac{3}{8}$ " UNF. \times $\frac{1}{2}$ "	14	} Track—Lower—To Body
	9664203	Washer— $\frac{3}{8}$ " shakeproof	14	
	9067101	Washer— $\frac{3}{8}$ " plain	6	
	9510051	Nut— $\frac{3}{8}$ " UNF.	4	
	2203749	Tapping Plate	8	
A46	2120709	Track Support Bracket—Lower	6	} Early Models
	39304081	Screw— $\frac{1}{2}$ " UNF. \times $\frac{1}{2}$ " } Bracket	12	
	9664163	Washer— $\frac{1}{2}$ " shakeproof } to Door	12	
A47	2121946	ROLLER BRACKET ASSEMBLY—TRACK—LOWER	6	
	19503042	Screw— $\frac{3}{8}$ " UNF. \times $\frac{1}{2}$ " } Roller Bracket	12	} Late Models
	9663123	Washer— $\frac{3}{8}$ " shakeproof } Support to	12	
	9510031	Nut—No. 10 UNF. } Bracket	12	
	2120709	Track Support Bracket—Lower	4	
	39304081	Screw— $\frac{1}{2}$ " UNF. \times $\frac{1}{2}$ " } Bracket	8	} Late Models
	9664163	Washer— $\frac{1}{2}$ " shakeproof } to Door	8	
	2121946	ROLLER BRACKET ASSEMBLY—TRACK—LOWER	6	
	19503042	Screw— $\frac{3}{8}$ " UNF. \times $\frac{1}{2}$ " } Roller Bracket	8	
	9663132	Washer— $\frac{3}{8}$ " shakeproof } Support to	8	
	9510031	Nut—No. 10 UNF. } Bracket	8	
	2120526	COVER PANEL—TRACK—O.S. (R.H.)	1	
A48	2120527	Cover Panel—Track—N.S. (L.H.)	1	
	9732089	Tapping Screw—No. 6 \times $\frac{1}{4}$ "	2	} Early Models only
	9732049	Tapping Screw—No. 6 \times $\frac{1}{4}$ "	4	
	2208535	Support—Cover Panel	2	
	39313051	Screw—No. 10 UNF. \times $\frac{3}{8}$ " }	8	
	9067095	Washer— $\frac{1}{2}$ " plain	8	} Support to Body
	9663123	Washer— $\frac{1}{2}$ " shakeproof	8	
	2210405	Stiffener Bracket—Cover Panel	4	} Late Models
	9732089	Tapping Screw—No. 6 \times $\frac{1}{4}$ "	8	
	2122064	CATCH ASSEMBLY—SLIDING DOOR—O.S. (R.H.)	1	
A49	2122065	Catch Assembly—Sliding Door—N.S. (L.H.)	1	
	19504042	Screw— $\frac{1}{2}$ " UNF. \times $\frac{1}{2}$ " } Catch to	4	} "B"—"C" Post
	9664163	Washer— $\frac{1}{2}$ " shakeproof	4	
	2213125	Sleeve—Sliding Door Catch—Rubber	2	

BODY — SIDE PANEL, ROOF AND FITTINGS — (SLIDING DOOR VAN AND BOTTLE FLOAT)

Plate Ref.	Part Number	DESCRIPTION	No. per Veh.	REMARKS
SLIDING DOOR VAN—continued				
A50	2203348	BUFFER—SLIDING DOOR	2	} See Note 1—Page 258
A51	2203347	Bracket—Sliding Door Buffer	2	
	39802101	Screw—No. 8 UNC. × 1" } Buffer to	4	
	9067004	Washer— $\frac{3}{8}$ " plain ... } Bracket	4	
	39225144	Screw— $\frac{1}{4}$ " UNF. × $\frac{1}{2}$ " } Bracket	4	
	2215776	Washer—Seating ... } to Body	2	
A52	2203346	Stiffener Plate—Door—Buffer	2	
	19504061	Screw— $\frac{1}{4}$ " UNF. × 1" } Stiffener Plate	4	
	9067014	Washer—1" plain ... } to	4	
	9660161	Washer—1" spring ... } Body Side Pillar	4	
	39304080	Screw— $\frac{1}{4}$ " UNF. × 1" } Stiffener Plate	4	
	9067014	Washer—1" plain ... } to	4	
	9660161	Washer—1" spring ... } Body Side Pillar	4	
	2218574	Bracket—Lock and Door Stop—O.S. (R.H.)	1	} See Note 2—Page 258
	2218575	Bracket—Lock and Door Stop—N.S. (L.H.)	1	
	19504061	Screw— $\frac{1}{4}$ " UNF. × 1" } Bracket	6	
	9660161	Washer—1" spring ... } to "B" Post	6	
	P.46336	Buffer Stop—Sliding Door	2	
	9510041	Nut— $\frac{1}{4}$ " UNF.—Buffer to Bracket	2	
A53	2206765	Cover Plate—Sliding Door Support Bracket	4	
	9732066	Tapping Screw—No. 6 × 1"—Cover Plate to Door	16	
	2120748	"A" POST COVER PLATE—UPPER—O.S. (R.H.)	1	
A54	2120749	"A" Post Cover Plate—Upper—N.S. (L.H.)	1	
	2120750	"A" Post Cover Plate—Lower—O.S. (R.H.)	1	
A55	2120751	"A" Post Cover Plate—Lower—N.S. (L.H.)	1	
	9732086	Tapping Screw—No. 6 × 1"—Cover Plate to "A" Post	16	
	2121990	STRIKER—SLIDING DOOR—O.S. (R.H.)	1	} See Note 1—Page 258
A56	2121991	Striker—Sliding Door—N.S. (L.H.)	1	
	2218596	Striker—Sliding Door—O.S. (R.H.)	1	} See Note 2—Page 258
	2218597	Striker—Sliding Door—N.S. (L.H.)	1	
	39205144	Screw— $\frac{1}{8}$ " UNF. × 1"—Striker to Body	4	
A57	2205676	SEAL—"A" POST—SLIDING DOOR	2	} One-Piece Seal—Early Models
	2205674 (2218916/18)	Seal—Sliding Door—O.S. (R.H.)	1	
	2205675 (2218917/19)	Seal—Sliding Door—N.S. (L.H.)	1	
	2218916	Seal—Top—Sliding Door—O.S. (R.H.)	1	} Two-Piece Seal—Late Models
A58	2218917	Seal—Top—Sliding Door—N.S. (L.H.)	1	
	2218918	Seal—"B" Post and Sill—Sliding Door—O.S. (R.H.)	1	
	2218919	Seal—"B" Post and Sill—Sliding Door—N.S. (L.H.)	1	
	2205672	Seal Support—Top—Sliding Door—O.S. (R.H.)	1	
A59	2205673	Seal Support—Top—Sliding Door—N.S. (L.H.)	1	
	9732066	Tapping Screw—No. 6 × 1"—Support to Cantrail	4	
A60	2204406	Seal Retainer—Sliding Door—Top	2	
A61	2204407	Seal Retainer—Sliding Door—"B" Post—Upper	2	
	2204408	Seal Retainer—Sliding Door—"B" Post—Lower—O.S. (R.H.)	1	
A62	2204409	Seal Retainer—Sliding Door—"B" Post—Lower—N.S. (L.H.)	1	
	2209056	Seal Retainer—Sliding Door—Sill—O.S. (R.H.)	1	
A63	2209057	Seal Retainer—Sliding Door—Sill—N.S. (L.H.)	1	
	2209048	Tread Plate—Sliding Doors	2	
	9732086	Tapping Screw—No. 6 × 1"	8	
A64	2203131 (5200520)	GRAB HANDLE—"A" POST	2	
	39313101	Screw—No. 10 UNF. × 1" } Grab Handle	4	
	9663123	Washer— $\frac{1}{8}$ " shakeproof } to "A" Post	4	
A65	2203907	STOP TAIL LAMP COVER	2	
	9732066	Tapping Screw—No. 6 × 1"	4	
	9733083	Tapping Screw—No. 8 × 1" } Cover to Body	2	
	P.43327	Spire Nut	2	
	2208476	Filler Piece—O.S. (R.H.) } Stop Tail	1	
	2208477	Filler Piece—N.S. (L.H.) } Lamp Cover	1	

BODY — SIDE PANEL, ROOF AND FITTINGS — (SLIDING DOOR VAN AND BOTTLE FLOAT)

Plate Ref.	Part Number	DESCRIPTION	No. per Veh.	REMARKS
SLIDING DOOR VAN—continued				
A66	5037591	MIRROR—EXTERIOR	2	} N. America on and after Chassis No. 1500/-015543
	2216972	Mirror—Exterior—Assembly—R.H.	1	
	2216973	Mirror—Exterior—Assembly—L.H.	1	
	5037596	Nut—Mirror Head Fixing	2	
	5037594	Mirror Arm—O.S. (R.H.)	1	
A67	5037595	Mirror Arm—N.S. (L.H.)	1	
A68	9602035	Nut—Domed	2	
A69	5037593	Clamp	2	
	5037597	Sleeve	2	
A70	2203384	Bracket } Mirror Arm	2	
A71	2203234	Bolt	2	
	39313101	Screw—No. 10 UNF. × 1" } Mirror	4	
	9663123	Washer— $\frac{3}{8}$ " shakeproof } Fixing	4	
	2208354	Jack Fixing Plate and Strap Assembly	1	
	2208559	Channel—Jack Locating	1	
A72	2120500	ROOF PANEL—FRONT	1	
A73	2120501	Roof Panel—Rear	1	
	2120624	Roof Swage Support Bracket	6	
	2203974	VENTILATOR—ROOF	1	} Required only with tropical roof insulation
	2215551	Collar Ventilator	1	
	19503042	Screw—No. 10 UNF. × 1" } Ventilator to Roof	10	
	9660123	Washer— $\frac{3}{8}$ " spring }	10	
	9067095	Washer— $\frac{3}{8}$ " plain }	10	
	2204098	Mesh—Ventilator	1	
	2214501	VENTILATOR—ROOF	1	
	2214502	Gauge	1	
	2214502	Collar	1	
	2214504	Grille	1	
	9773086	Tapping Screw—No. 8 × $\frac{1}{2}$ " } Tropical Roof	4	
	2215552	Reinforcing Ring	1	
	19503042	Screw—No. 10 UNF. × $\frac{1}{2}$ " }	4	
	9510031	Nut—No. 10 UNF. } Ventilator to Roof	4	
	9663123	Washer— $\frac{3}{8}$ " shakeproof }	4	
	2219891	Blanking Plate	1	
	19503031	Screw	10	
	K.21921	Washer	10	
	9067014	Washer	10	
	2509801	ROOF LINING ASSEMBLY	1	} Alternative— Special Order only Not required with tropical roof insulation
		Insulation—Roof—Biumen Impregnated Rag Felt	4	
		Staple	51	
		Insulation Pad—Roof Isoflex	17	
	2215553	Listing Rail—No. 1 Green	1	
	2215554	Listing Rail—Nos. 2-3-4-5 Yellow	4	
	2215555	Listing Rail—No. 6 Black	1	
	2215556	Listing Rail—No. 7 Blue	1	
	2215557	Listing Rail—No. 8 Red	1	
		Fixing Lug—Listing Rail	16	
	2204597	Tie Bracket—Listing Rail	2	} Special Order only when Tropical Roof Insulation is fitted
	9733086	Tapping Screw—No. 8 × $\frac{1}{2}$ " } Tie Bracket	4	
	9663102	Washer— $\frac{3}{8}$ " shakeproof } to Body	4	
	9130032	Trim Clip	100	
	2204594	Finisher Strip (Aluminium)—Header	2	
	9772085	Tapping Screw—No. 6 × $\frac{1}{2}$ " } Finisher	8	
	9067120	Washer— $\frac{3}{8}$ " plain } Strip	8	
	2121980	Headlining Retainer—Side	2	
	2121979	Headlining Retainer—Rear	1	
	9732086	Tapping Screw—No. 6 × $\frac{1}{2}$ "—Retainer to Body	32	

BODY — SIDE PANEL, ROOF AND FITTINGS — (SLIDING DOOR VAN AND BOTTLE FLOAT)

Plate Ref.	Part Number	DESCRIPTION	No. per Veh.	REMARKS
SLIDING DOOR VAN—continued				
	2211419	Side Plate Assembly—O.S. (R.H.)	1	} Special Order only when Tropical Roof Insulation is fitted
	2211418	Side Plate Assembly—N.S. (L.H.)	1	
	9732086	Screw—No. 6 × 1/2"—Side Plate to Cantrail	64	
	2211423	Corner Plate Assembly—O.S. (R.H.)	1	
	2211422	Corner Plate Assembly—N.S. (L.H.)	1	
	9732086	Screw—No. 6 × 1/2"—Corner Plate to Cantrail	10	
		<p>Note 1. Used prior to introduction of 1500 Series IIA and 2500 Series—See also Note in Preliminary Section.</p> <p>Note 2. Used on and after introduction of 1500 Series IIA and 2500 Series—See also Note in Preliminary Section.</p> <p>Note 3. Used on and after Chassis Nos.: 1500/-/ 227535—227537/8—227541—227546— 227614—227616—227623 227627/8—227631—227649/50— 227653—227655—227669— 227671/2—227675—227677/8— 227680/3—227685/9—227691/815—227817 onwards. CKD—1500/-/275773.</p> <p>Note 4. Used prior to Chassis Nos. listed in Note 5.</p> <p>Note 5. Used on and after Chassis Nos.: 1500/-/ 227560—227562/7—227569/80— 227599/606—227509/19—227620/25— 227627/57—227660/2—227664/83— 227685 onwards. CKD—1500/-/275749.</p>		

BODY — SIDE PANEL, ROOF AND FITTINGS — (SLIDING DOOR VAN AND BOTTLE FLOAT)

Plate Ref.	Part Number	DESCRIPTION	No. per Veh.	REMARKS
		BOTTLE FLOAT		
	2122176 (2216370)	"A" POST PANEL ASSEMBLY—O.S. (R.H.)	1	
	2216370 (2228088)	"A" Post Panel Assembly—O.S. (R.H.)	1	
	2228088	"A" Post Panel Assembly—O.S. (R.H.)	1	
	2121932	Drip Moulding—"A" Post—Upper—O.S. (R.H.)	1	
	2120762 (2216366)	Drip Moulding—"A" Post—Lower—O.S. (R.H.)	1	
	2216366	Drip Moulding—"A" Post—Lower—O.S. (R.H.)	1	
	2214966	Seal Retainer	1	
A11	2122177 (2216371)	"A" Post Panel Assembly—N.S. (L.H.)	1	
	2216371 (2228089)	"A" Post Panel Assembly—N.S. (L.H.)	1	
	2228089	"A" Post Panel Assembly—N.S. (L.H.)	1	
A12	2121933	Drip Moulding—"A" Post—Upper—N.S. (L.H.)	1	
A13	2120763 (2216367)	Drip Moulding—"A" Post—Lower—N.S. (L.H.)	1	
	2216367	Drip Moulding—"A" Post—Lower—N.S. (L.H.)	1	
	2214967	Seal Retainer	1	
A14	2120668	"A" Post Finisher—O.S. (R.H.)	1	
	2120669	"A" Post Finisher—N.S. (L.H.)	1	
	2120674	CANTRAIL—SLIDING DOOR—O.S. (R.H.)	1	
A15	2120675	Cantrail—Sliding Door—N.S. (L.H.)	1	
A16	2120728	Cantrail Closing Panel	2	Early Condition
	2222807	Cantrail Closing Panel	2	Late Condition
	2121908	Drip Moulding—Sliding Door—O.S. (R.H.)	1	
A17	2121909	Drip Moulding—Sliding Door—N.S. (L.H.)	1	
	2120588	"B" POST PANEL—SLIDING DOOR—O.S. (R.H.)	1	
A18	2120589	"B" Post Panel—Sliding Door—N.S. (L.H.)	1	} See Note 1—Page 264
	2221734	"B" Post Panel—Sliding Door—O.S. (R.H.)	1	
	2221735	"B" Post Panel—Sliding Door—N.S. (L.H.)	1	} See Notes 2 and 3—Page 264
	2228086	"B" Post Panel—Sliding Door—O.S. (R.H.)	1	
	2228087	"B" Post Panel—Sliding Door—N.S. (L.H.)	1	} See Note 4—Page 264
A19	2120742 (2229636)	"B" Post Finisher—O.S. (R.H.)	1	
	2120743 (2229637)	"B" Post Finisher—N.S. (L.H.)	1	
	2120524	SILL PANEL—SLIDING DOOR—O.S. (R.H.)	1	
A20	2120525	Sill Panel—Sliding Door—N.S. (L.H.)	1	
	2120606	Sill Panel—Sliding Door—Lower—O.S. (R.H.)	1	
A21	2120607	Sill Panel—Sliding Door—Lower—N.S. (L.H.)	1	
A22	2204954 (2221724)	FRONT DOOR PANEL ASSY.—SLIDING—O.S. (R.H.)	1	
	2204955 (2221725)	Front Door Panel Assembly—Sliding—N.S. (L.H.)	1	
	2221724	Front Door Panel Assembly—Sliding—O.S. (R.H.)	1	
	2221725	Front Door Panel Assembly—Sliding—N.S. (L.H.)	1	
	2208056	SLIDING WINDOW ASSEMBLY—O.S. (R.H.)	1	
A23	2208057	Sliding Window Assembly—N.S. (L.H.)	1	
	2203161	Glass—Fixed	2	Not supplied
	9233060	Deflector	2	
	2203173	Glazing Rubber—Fixed Glass	2	
	9233059	Glass—Sliding	2	
	2213036	Glazing Rubber—Sliding Glass	2	
A24	2208055	Draught Excluder—Sliding Glass	2	
	2211492	Catch—Hinged	2	
	2211493	Finger Pull—O.S. (R.H.)	1	
	2206388	Finger Pull—N.S. (L.H.)	1	
	39001031	Backing Plate	4	
	2208242	Screw—4 BA × 3/8"—Backing Strip	16	
A25	2208243	Weatherstrip—O.S. (R.H.)	1	
A26	2208244	Weatherstrip—N.S. (L.H.)	1	
	2208134	Weatherstrip Filler	2	

BODY — SIDE PANEL, ROOF AND FITTINGS — (SLIDING DOOR VAN AND BOTTLE FLOAT)

Plate Ref.	Part Number	DESCRIPTION	No. per Veh.	REMARKS
		BOTTLE FLOAT—continued		
A27	2121942	LOCK ASSEMBLY—SLIDING DOOR—O.S. (R.H.)	1	} See Note 1—Page 264
A28	2121943	Lock Assembly—Sliding Door—N.S. (L.H.)	1	
	2218610	Lock Assembly—Sliding Door—O.S. (R.H.)	1	} See Note 2—Page 264
	2218611	Lock Assembly—Sliding Door—N.S. (L.H.)	1	
	39304201	Screw— $\frac{1}{2}$ " UNF. \times $1\frac{1}{2}$ "	8	} Sliding Door Lock
	9664163	Washer— $\frac{1}{2}$ " shakeproof	8	
A29	220178	HANDLE ASSEMBLY—SLIDING DOOR—OUTSIDE—O.S. (R.H.)—LOCKING	1	} See Note 1—Page 264
	2218593	Handle Assembly—Sliding Door—Outside—O.S. (R.H.) Locking	1	
	H.111745	Key—O.S. (R.H.) Lock—F.P. Series	2	} When ordering always quote number stamped on lock
A30	220179	HANDLE ASSEMBLY—SLIDING DOOR—OUTSIDE—N.S. (L.H.)—NON-LOCKING	1	
	2218592	Handle Assembly—Sliding Door—Outside—N.S. (L.H.)—Non-Locking	1	
	39203080	Screw—No. 10 UNF. \times $\frac{1}{2}$ "—Handles to Doors	6	} See Note 2—Page 264
A31	220184	HANDLE—INSIDE DOOR LOCK—O.S. (R.H.)	1	
A32	220185	Handle—Inside Door Lock—N.S. (L.H.)	1	} Handles to Door
A33	220183	Escutcheon—Inside Handles	2	
A34	220160	Packing Washer—Escutcheon	2	} Cross Pin
A35	H.108236	Cross Pin	2	
A36	9122188	Pad—Handle Pin	2	} Stop—Sliding Door
A37	2122014	Stop—Sliding Door	2	
	39304101	Screw— $\frac{1}{2}$ " UNF. \times $\frac{1}{2}$ "	4	} Stop to Door
	9664163	Washer— $\frac{1}{2}$ " shakeproof	4	
	2223093	BADGE—FRONT DOOR	2	} 2300 Series
	9132944	Friction Bush	4	
	2120712	SUPPORT BRACKET—DOOR—UPPER—FRONT—O.S. (R.H.)	1	} Support Brackets to Door
A38	2120713	Support Bracket—Door—Upper—Front—N.S. (L.H.)	1	
A39	2120611	Support Bracket—Door—Upper—Rear	2	} Door Support Brackets—To Track
	19505044	Screw— $\frac{3}{8}$ " UNF. \times $\frac{1}{2}$ "	8	
	9067101	Washer— $\frac{3}{8}$ " plain	8	} Track—UPPER—SLIDING DOOR
	9664203	Washer— $\frac{3}{8}$ " shakeproof	8	
A40	39105084	Screw— $\frac{3}{8}$ " UNF. \times $\frac{1}{2}$ "—Door Support Brackets—To Track	8	} Track Rod to Front Bracket
	2121974	TRACK—UPPER—SLIDING DOOR	2	
	39104081	Screw— $\frac{1}{2}$ " UNF. \times $\frac{1}{2}$ "	2	} Nut— $\frac{1}{2}$ " UNF.
	9664163	Washer— $\frac{1}{2}$ " shakeproof	2	
	9510041	Nut— $\frac{1}{2}$ " UNF.	2	} Track to Intermediate & Rear Brackets
	39104081	Screw— $\frac{1}{2}$ " UNF. \times $\frac{1}{2}$ "	6	
	9067069	Washer— $\frac{1}{2}$ " plain—Track to Brackets	8	} Track Bracket Front
A41	2120610	Track Bracket Front	2	
A42	2214991	Track Bracket Assembly—Front—Intermediate	2	} Track Bracket Assembly—Rear—Intermediate
A43	2214999	Track Bracket Assembly—Rear—Intermediate	2	
A44	2214999	Track Bracket Assembly—Rear	2	} TRACK—LOWER—SLIDING DOOR—O.S. (R.H.)
	2121936	TRACK—LOWER—SLIDING DOOR—O.S. (R.H.)	1	
A45	2121937	Track—Lower—Sliding Door—N.S. (L.H.)	1	} Screw— $\frac{3}{8}$ " UNF. \times $\frac{1}{2}$ "
	19505052	Screw— $\frac{3}{8}$ " UNF. \times $\frac{1}{2}$ "	14	
	9664203	Washer— $\frac{3}{8}$ " shakeproof	14	} Washer— $\frac{3}{8}$ " plain
	9067101	Washer— $\frac{3}{8}$ " plain	6	
	9510051	Nut— $\frac{3}{8}$ " UNF.	4	} Tapping Plate
	2203749	Tapping Plate	8	
A46	2120709	Track Support Bracket—Lower	6	} Early Models
	39304081	Screw— $\frac{1}{2}$ " UNF. \times $\frac{1}{2}$ "	12	
	9664163	Washer— $\frac{1}{2}$ " shakeproof	12	

BODY — SIDE PANEL, ROOF AND FITTINGS — (SLIDING DOOR VAN AND BOTTLE FLOAT)

Plate Ref.	Part Number	DESCRIPTION	No. per Veh.	REMARKS
		BOTTLE FLOAT—continued		
A47	2121946	ROLLER BRACKET ASSEMBLY—TRACK—LOWER	6	} Early Models
	19503042	Screw— $\frac{1}{4}$ " UNF. \times $\frac{1}{2}$ "	12	
	9663123	Washer— $\frac{1}{8}$ " shakeproof	12	
	9510031	Nut—No. 10 UNF.	12	
	2120709	Track Support Bracket—Lower	4	
	39304081	Screw— $1\frac{1}{2}$ " UNF. \times $1\frac{1}{2}$ "	8	
	9664163	Washer— $1\frac{1}{2}$ " shakeproof	8	
	2121946	Roller Bracket Assembly—Track—Lower	6	
	19503042	Screw— $\frac{1}{4}$ " UNF. \times $\frac{1}{2}$ "	8	
	9663132	Washer— $\frac{1}{8}$ " shakeproof	8	
	9510031	Nut—No. 10 UNF.	8	} Late Models
	2120526	COVER PANEL—TRACK—O.S. (R.H.)	1	
A48	2120527	Cover Panel—Track—N.S. (L.H.)	1	
	9732089	Tapping Screw—No. 6 \times $\frac{1}{2}$ "	2	
	9712049	Tapping Screw—No. 6 \times $\frac{1}{2}$ "	4	
	2208535	Support—Cover Panel	2	
	39313051	Screw—No. 10 UNF. \times $\frac{1}{8}$ "	8	
	9067095	Washer— $\frac{1}{8}$ " plain	8	
	9663123	Washer— $\frac{1}{8}$ " shakeproof	8	
	2210405	Stiffener Bracket—Cover Panel	4	
	9723089	Tapping Screw—No. 6 \times $\frac{1}{2}$ "	8	} Late Models
	2122064	CATCH ASSEMBLY—SLIDING DOOR—O.S. (R.H.)	1	
A49	2122065	Catch Assembly—Sliding Door—N.S. (L.H.)	1	
	19504042	Screw— $1\frac{1}{2}$ " UNF. \times $1\frac{1}{2}$ "	4	
	9664163	Washer— $1\frac{1}{2}$ " shakeproof	4	
	2213125	Steeve—Sliding Door Catch—Rubber	2	
A50	2203348	BUFFER—SLIDING DOOR	2	
A51	2203347	Bracket—Sliding Door Buffer	2	
	39802101	Screw—No. 8 UNC. \times $1\frac{1}{2}$ "	4	
	9067004	Washer— $\frac{1}{8}$ " plain	4	
	39225144	Screw— $\frac{1}{8}$ " UNF. \times $1\frac{1}{2}$ "	4	
	2215776	Washer—Sealing	2	
A52	2203346	Stiffener Plate—Door—Buffer	2	} See Note 1—Page 264
	19504061	Screw— $1\frac{1}{2}$ " UNF. \times $1\frac{1}{2}$ "	4	
	9067014	Washer— $1\frac{1}{2}$ " plain	4	
	9660161	Washer— $1\frac{1}{2}$ " spring	4	
	39304080	Screw— $1\frac{1}{2}$ " UNF. \times $1\frac{1}{2}$ "	4	
	9067014	Washer— $1\frac{1}{2}$ " plain	4	
	9660161	Washer— $1\frac{1}{2}$ " spring	4	
	2218574	Bracket—Lock and Door Stop—O.S. (R.H.)	1	
	2218575	Bracket—Lock and Door Stop—N.S. (L.H.)	1	
	19504061	Screw— $1\frac{1}{2}$ " UNF. \times $1\frac{1}{2}$ "	6	
	9660161	Washer— $1\frac{1}{2}$ " spring	6	} See Note 2—Page 264
	P.46336	Buffer Stop—Sliding Door	2	
	9510041	Nut— $1\frac{1}{2}$ " UNF.—Buffer to Bracket	2	
A53	2206765	Cover Plate—Sliding Door Support Bracket	4	
	9732066	Tapping Screw—No. 6 \times $1\frac{1}{2}$ "—Cover Plate to Door	16	
	2120748	"A" POST COVER PLATE—UPPER—O.S. (R.H.)	1	
A54	2120749	"A" Post Cover Plate—Upper—N.S. (L.H.)	1	
	2120750	"A" Post Cover Plate—Lower—O.S. (R.H.)	1	
A55	2120751	"A" Post Cover Plate—Lower—N.S. (L.H.)	1	
	9732086	Tapping Screw—No. 6 \times $1\frac{1}{2}$ "—Cover Plate to "A" Post	16	
A56	2121990	STRIKER—SLIDING DOOR—O.S. (R.H.)	1	} See Note 1—Page 264
	2121991	Striker—Sliding Door—N.S. (L.H.)	1	
	2218596	Striker—Sliding Door—O.S. (R.H.)	1	} See Note 2—Page 264
	2218597	Striker—Sliding Door—N.S. (L.H.)	1	
	39205144	Screw— $\frac{1}{8}$ " UNF. \times $1\frac{1}{2}$ "—Striker to Body	4	

BODY — SIDE PANEL, ROOF AND FITTINGS — (SLIDING DOOR VAN AND BOTTLE FLOAT)

Plate Ref.	Part Number	DESCRIPTION	No. per Veh.	REMARKS
		BOTTLE FLOAT—continued		
A57	2205670	SEAL—"A" POST—SLIDING DOOR	2	} One-Piece Seal— Early Models
	2205674 (2218916/18)	Seal—Sliding Door—O.S. (R.H.)	1	
	2205675 (2218917/19)	Seal—Sliding Door—N.S. (L.H.)	1	
	2218916	Seal—Top—Sliding Door—O.S. (R.H.)	1	
A58	2218917	Seal—Top—Sliding Door—N.S. (L.H.)	1	} Two-Piece Seal— Late Models
	2218918	Seal—"B" Post and Sill—Sliding Door—O.S. (R.H.)	1	
	2218919	Seal—"B" Post and Sill—Sliding Door—N.S. (L.H.)	1	
	2205672	Seal Support—Top—Sliding Door—O.S. (R.H.)	1	
A59	2205673	Seal Support—Top—Sliding Door—N.S. (L.H.)	1	
	9732066	Tapping Screw—No. 6 × 1/2"—Support to Control	4	
A60	2204406	Seal Retainer—Sliding Door—Top	2	
A61	2204407	Seal Retainer—Sliding Door—"B" Post—Upper	2	
	2204408	Seal Retainer—Sliding Door—"B" Post—Lower—O.S. (R.H.)	1	
A62	2204409	Seal Retainer—Sliding Door—"B" Post—Lower—N.S. (L.H.)	1	
	2209056	Seal Retainer—Sliding Door—Sill—O.S. (R.H.)	1	
A63	2209057	Seal Retainer—Sliding Door—Sill—N.S. (L.H.)	1	
	2209068	Trend Plate—Sliding Door	2	
	9732066	Tapping Screw—No. 6 × 1/2"	8	
A64	2203131 (5200520)	GRAB HANDLE—"A" POST	2	
	9912101	Screw—No. 10 UNF. × 1/2" } Grab Handle	4	
	9683123	Washer—1/2" shakeproof } to "A" Post	4	
		BULKHEAD PANEL ASSEMBLY—UPPER	1	} See Body—Underframe
		Bulkhead Panel—Intermediate	1	
		Bulkhead Reinforcement—Upper—Intermediate	1	
		Bulkhead Reinforcement—Vertical—Intermediate	2	
		Bulkhead Reinforcement—Lower—Intermediate	1	
		Bulkhead Panel—Lower	1	
		Bulkhead Extension Panel—O.S. (R.H.)	1	
		Bulkhead Extension Panel—N.S. (L.H.)	1	
	2206298	Panel—"B" Post to Extension—O.S. (R.H.)	1	
	2206299	Panel—"B" Post to Extension—N.S. (L.H.)	1	
	2206310	Drip Moulding—Short—O.S. (R.H.)	1	
	2206311	Drip Moulding—Short—N.S. (L.H.)	1	
	2206294	Bulkhead Attachment Bracket	4	
	2211414	Bulkhead Attachment Bracket—Inner	2	
	9735081	Tapping Screw—No. 12 × 1/2" Bulkhead to	9	
	9020050	Spire Nut	9	
	9067018	Washer—1/2" plain } Attachment Bracket	9	
	2206339	BACKLIGHT GLASS	1	
	2206340	Weatherstrip—Backlight Glass	1	
	2213991	Protection Bar—Backlight Glass	4	
	2213964	Plate—Bulkhead to Floor—O.S. (R.H.)	1	
	2213965	Plate—Bulkhead to Floor—N.S. (L.H.)	1	
	2213986	BODY SIDE PANEL	2	
	2214522	Reinforcement—Body Side to Roof Panel—O.S. (R.H.)	1	
	2214523	Reinforcement—Body Side to Roof Panel—N.S. (L.H.)	1	
	2120520	Rear Corner Panel—Upper—O.S. (R.H.)	1	
	2120521	Rear Corner Panel—Upper—N.S. (L.H.)	1	
	2120508	Rear Corner Panel—Lower—O.S. (R.H.)	1	
	2120509	Rear Corner Panel—Lower—N.S. (L.H.)	1	
	2213988	Side Pillar—Rear—O.S. (R.H.)	1	
	2213989	Side Pillar—Rear—N.S. (L.H.)	1	
		Wheel Arch Panel—Rear	2	} See Body—Underframe
	2214520	Track Cover Panel Bracket	2	
	2213996	Buffer—Sliding Door	2	
	2213997	Bracket—Sliding Door Buffer	2	

BODY — SIDE PANEL, ROOF AND FITTINGS — (SLIDING DOOR VAN AND BOTTLE FLOAT)

Photo Ref.	Part Number	DESCRIPTION	No. per Veh.	REMARKS	
		BOTTLE FLOAT—continued			
		FLOOR PANEL—FRONT	1	} See Body—Underframe	
		Cover—Oil Filler Aperture	1		
		Gasket—Oil Filler Aperture Cover	1		
		Floor Panel—Intermediate	1		
		Floor Panel—Rear	1		
		Angle Reinforcement—Rear Floor	1		
		Conrail Finisher—Rear	1		
	2214508	SPARE WHEEL APERTURE PANEL—O.S. (R.H.)	1		} See Body—Underframe
		Spare Wheel Aperture Panel—N.S. (L.H.)	1		
		Spare Wheel Aperture Panel—Centre	1		} See Body—Underframe
		Spare Wheel Locker Lid Panel	1		
		Rubber Seal—Locker Lid Panel	1		
		Budget Lock—Spare Wheel Locker—O.S. (R.H.)	1		
		Budget Lock—Spare Wheel Locker—N.S. (L.H.)	1		
		Escutcheon—Spare Wheel Locker	2	} See Tools	
		"T" Key—Spare Wheel Locker	1		
		Spare Wheel Strap Assembly	1	} See Body—Underframe	
		Protection Panel—Rear Lamp—O.S. (R.H.)	1		
		Protection Panel—Rear Lamp—N.S. (L.H.)	1		
	2203336	Badge Assembly—Roof—Rear	1	} N. America on and after Chassis No. 1500/-015543	
	P.49152	Friction Bush	2		
A66	5037591	MIRROR—EXTERIOR	2		
	2216972	Mirror Assembly—Exterior—R.H.	1		
	2216973	Mirror Assembly—Exterior—L.H.	1		
	5037596	Nut—Mirror Head Fixing	2		
	5037594	Mirror Arm—O.S. (R.H.)	1		
A67	5037595	Mirror Arm—N.S. (L.H.)	1		
A68	9022035	Nut—Domed	2		
A69	5037593	Clamp	2		
	5037597	Sleeve ... } Mirror Arm Fixing	2		
	2203384	Bracket	2		
A71	2203234	Bolt	2		
	39313101	Screw—No. 10 UNF. $\times \frac{1}{4}$ " ... } Mirror	4		
	9663123	Washer— $\frac{3}{8}$ " shakeproof ... } Fixing	4		
	2208554	Jack Fixing Plate and Strap Assembly	1		
	2208559	Channel—Jack Locating	1		
		Support Bracket—Jack—O.S. (R.H.)	} Used on vehicles fitted with Cold Start Device only—Not supplied		
		Support Bracket—Jack—N.S. (L.H.)			
		Extension Bracket—Jack			
A72	2120500	ROOF PANEL—FRONT	1		
A73	2120501	Roof Panel—Rear	1		
	2120624	Roof Swage Support Bracket	6		
	2121910	Drip Moulding—Side—O.S. (R.H.)	1		
	2121911	Drip Moulding—Side—N.S. (L.H.)	1		
	2203974	VENTILATOR—ROOF	1	} { required only with tropical roof insulation	
	2215551	Collar—Ventilator	1		
	19503042	Screw—No. 10 UNF. $\times \frac{1}{4}$ "	10		
	9660123	Washer— $\frac{3}{8}$ " spring ... } Ventilator to Roof	10		
	9067095	Washer— $\frac{3}{8}$ " plain ... }	10		
	2204098	Mesh—Ventilator	1	} Alternative—Special Order only	
	2214501	VENTILATOR—ROOF	1		
	2214503	Gauze	1	} Required only with Tropical Roof	
	2214502	Collar	1		
	2214504	Grille	1		
	9773086	Tapping Screw—No. 8 $\times \frac{1}{4}$ "	4		

BODY — SIDE PANEL, ROOF AND FITTINGS — (SLIDING DOOR VAN AND BOTTLE FLOAT)

Plate Ref.	Part Number	DESCRIPTION	No. per Veh.	REMARKS
		BOTTLE FLOAT—continued		
2215552		Reinforcing Ring	1	} Not required with tropical roof insulation
19503042		Screw—No. 10 UNF. \times $\frac{1}{2}$ "	4	
9510031		Nut—No. 10 UNF.	4	
9663123		Washer— $\frac{3}{8}$ " shakeproof	4	
2219891		Blanking Plate	1	} Alternative— Special Order only
19503031		Screw	10	
K.21921		Washer	10	
9067014		Washer	10	
2509801		ROOF LINING ASSEMBLY	1	} Special Order only when Tropical Roof Insulation is fitted
		Insulation—Roof—Bitumen Impregnated Rag Felt	4	
		Staple	51	
		Insulation Pad—Roof boffes	17	
2215553		Listing Rail—No. 1 Green	1	
2215554		Listing Rail—No. 2, 3, 4, 5 Yellow	4	
2215555		Listing Rail—No. 6 Black	1	
2215556		Listing Rail—No. 7 Blue	1	
2215557		Listing Rail—No. 8 Red	1	
		Fixing Lug—Listing Rail	16	
2204597		Tie Bracket—Listing Rail	2	
9733086		Tapping Screw—No. 8 \times $\frac{1}{2}$ "	4	
9663102		Washer— $\frac{3}{8}$ " shakeproof	4	
9130032		Trim Clip	100	
2204594		Finisher Strip Aluminium—Header	2	
9772085		Tapping Screw—No. 6 \times $\frac{1}{2}$ "	8	
9067120		Washer— $\frac{3}{8}$ " plain	8	
2121980		Headlining Retainer—Side	2	
2121979		Headlining Retainer—Rear	1	
9732086		Tapping Screw—No. 6 \times $\frac{1}{2}$ "—Retainer to Body	52	
2211419		Side Plate Assembly—O.S. (R.H.)	1	
2211418		Side Plate Assembly—N.S. (L.H.)	1	
9732086		Screw—No. 6 \times $\frac{1}{2}$ "—Side Plate to Cantirail	64	
2211423		Corner Plate Assembly—O.S. (R.H.)	1	
2211422		Corner Plate Assembly—N.S. (L.H.)	1	
9732086		Screw—No. 6 \times $\frac{1}{2}$ "—Corner Plate to Cantirail	10	
		Note 1. Used prior to introduction of 1500 Series IIA and 2500 Series—See also Note in Preliminary Section.		
		Note 2. Used on and after introduction of 1500 Series IIA and 2500 Series—See also Note in Preliminary Section.		
		Note 3. Used prior to Chassis No. listed in Note 4.		
		Note 4. Used on and after Chassis Nos.: 1500/-/227560—227562/7—227569/80—227599/600—227609/19—227620/23—227627/57—227660/2—227664/83—227685 onwards. CKD 1500/-/2275740.		

BODY—SIDE PANEL, ROOF AND FITTINGS—
PASSENGER

(Light Bus—Contractors Bus—Station Wagon—Caravan)

BODY — SIDE PANEL, ROOF AND FITTINGS — PASSENGER
(LIGHT BUS — CONTRACTORS BUS — STATION WAGON — CARAVAN)

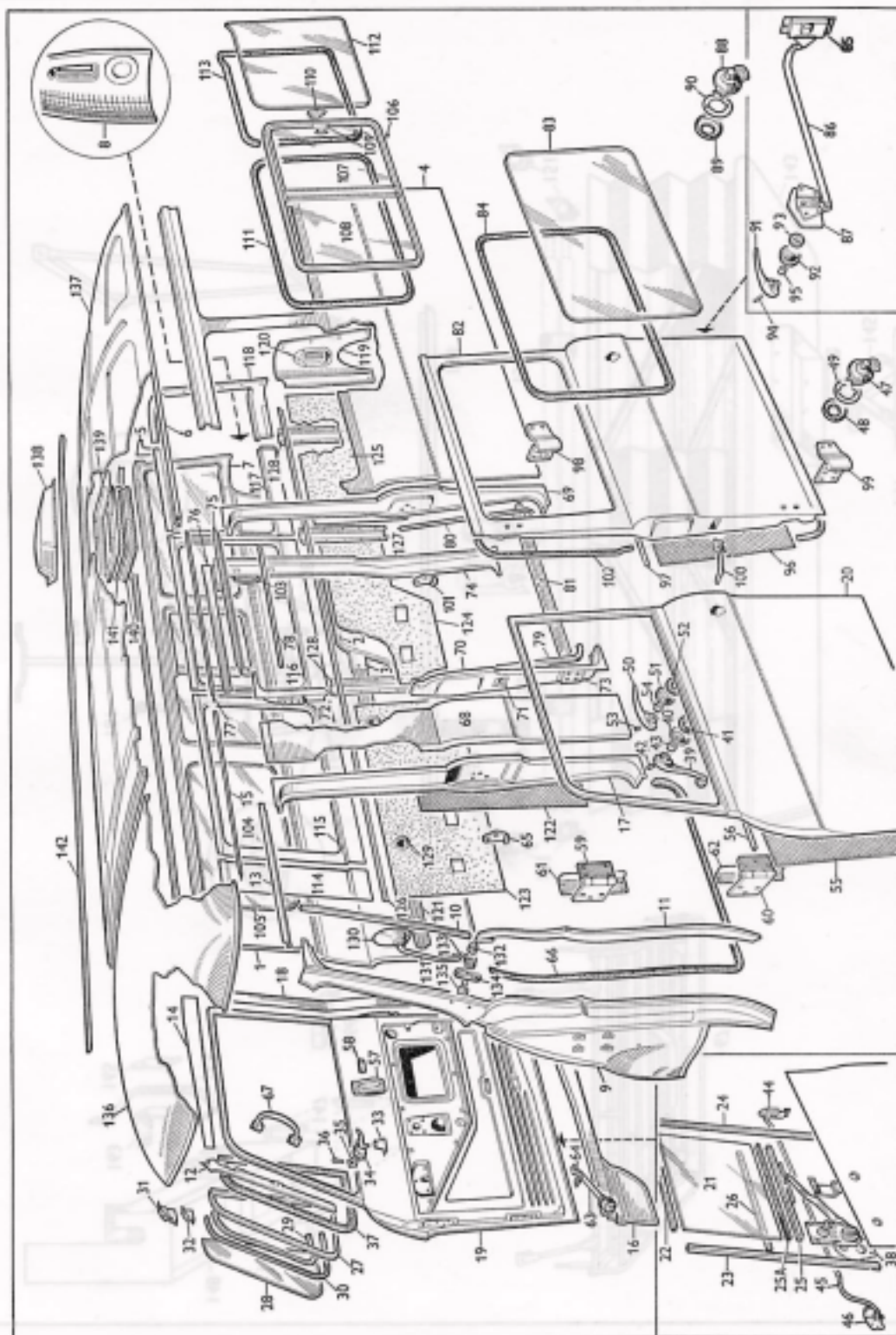


PLATE A

CARAVAN FITTINGS

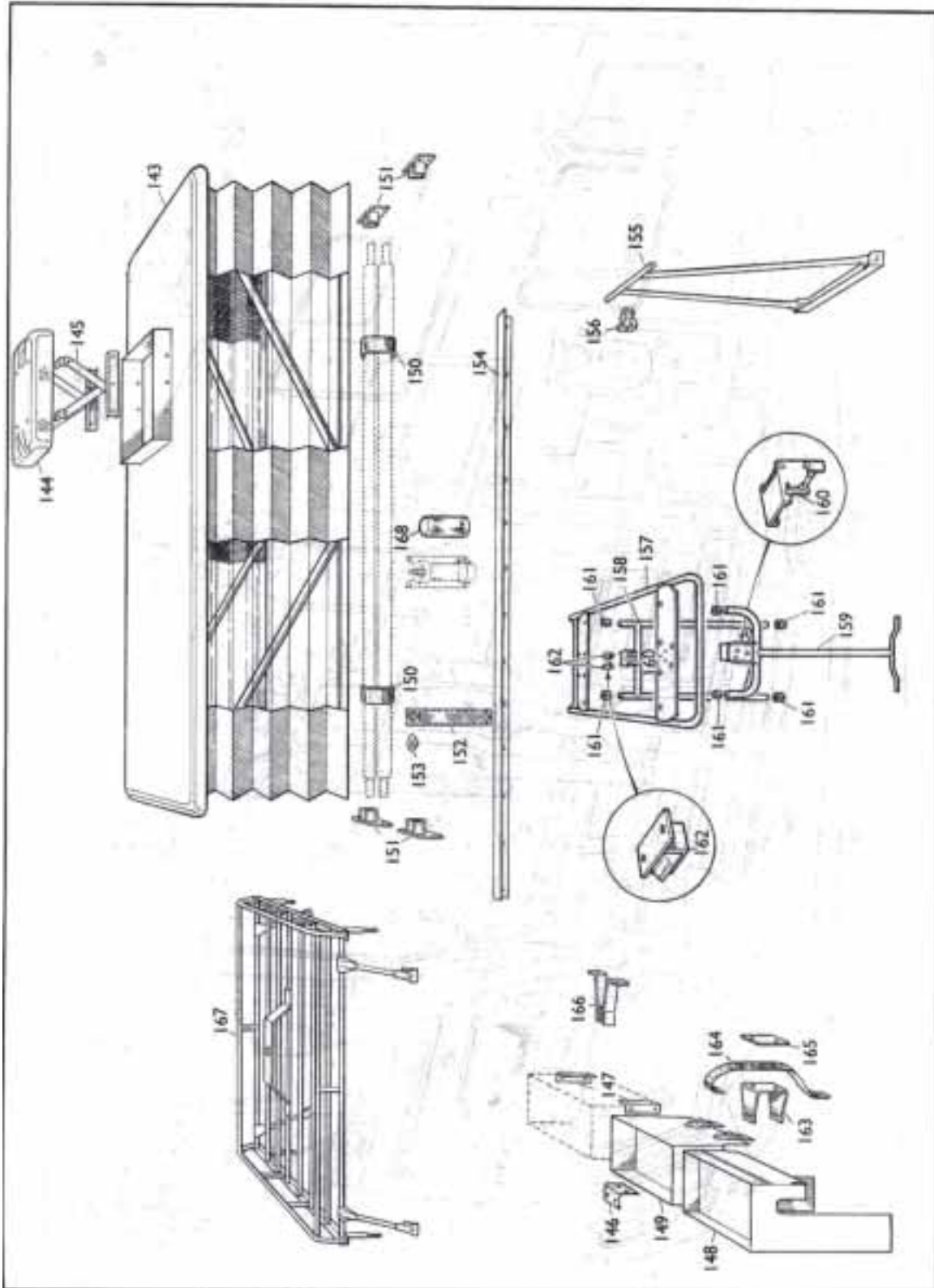


PLATE B

**BODY — SIDE PANEL, ROOF AND FITTINGS — PASSENGER
(LIGHT BUS — CONTRACTORS BUS — STATION WAGON — CARAVAN)**

Plate Ref.	Part Number	DESCRIPTION	No. per Veh.	REMARKS	
		LIGHT BUS			
A1	2120540	BODY SIDE PANEL—O.S. (R.H.)	1	} R.H.D.	
A2	2122196	Rear Wheel Arch Extension Panel Assembly—O.S. (R.H.) ...	1		
	2218738	Rear Wheel Arch Panel Closing Assembly—O.S. (R.H.) ...	1		
	2222818	Rear Wheel Arch Panel Closing Assembly—O.S. (R.H.) ...	1		
A3	2122192	Seat Fixing Rail to Wheel Arch Bracket Assembly ...	1		
A4	2120543	Body Side Panel—N.S. (L.H.)	1		
	2122197	Rear Wheel Arch Extension Panel Assembly—N.S. (L.H.) ...	1		
	2218739	Rear Wheel Arch Panel Closing Assembly—N.S. (L.H.) ...	1		
	2222819	Rear Wheel Arch Panel Closing Assembly—N.S. (L.H.) ...	1		
	2122193	Seat Fixing Rail to Wheel Arch Bracket Assembly ...	1		
	2120542	Body Side Panel—O.S. (R.H.)	1		
A2	2122196	Rear Wheel Arch Extension Panel Assembly—O.S. (R.H.) ...	1		} L.H.D.
	2218738	Rear Wheel Arch Panel Closing Assembly—O.S. (R.H.) ...	1		
	2222818	Rear Wheel Arch Panel Closing Assembly—O.S. (R.H.) ...	1		
	2122192	Seat Fixing Rail to Wheel Arch Bracket Assembly ...	1		
	2120541	Body Side Panel—N.S. (L.H.)	1		
	2122197	Rear Wheel Arch Extension Panel Assembly—N.S. (L.H.) ...	1		
	2218739	Rear Wheel Arch Panel Closing Assembly—N.S. (L.H.) ...	1		
	2222819	Rear Wheel Arch Panel Closing Assembly—N.S. (L.H.) ...	1		
	2122193	Seat Fixing Rail to Wheel Arch Bracket Assembly ...	1		
A5		Gusset—Rear Door Aperture—O.S. (R.H.)	1	} Not supplied	
		Gusset—Rear Door Aperture—N.S. (L.H.)	1		
	2211434	Reinforcement—Waist Rail—Long	1	} Export	
	2211430	Reinforcement—Waist Rail Extension—Long—O.S. (R.H.)— R.H.D.	1		
	2211431	Reinforcement—Waist Rail Extension—Long—N.S. (L.H.)— L.H.D.	1		
	2211432	Reinforcement—Waist Rail—Sheet—O.S. (R.H.)—L.H.D. ...	1		
	2211433	Reinforcement—Waist Rail—Sheet—N.S. (L.H.)—R.H.D. ...	1		
	2228026	Vertical Stiffener Assembly—Front	2		
	2228033	Vertical Stiffener Assembly—Rear	2		
	2224026	Gusset—"D" Post Waist Finisher	2		
	2224029	Gusset—"D" Post—Bottom—Finisher—R.H.D.	1		
	2224028	Gusset—"D" Post—Bottom—Finisher—L.H.D.	1		
	2121910	DRIP MOULDING—SIDE—O.S. (R.H.)—R.H.D.	1		
A6	2121913	Drip Moulding—Side—N.S. (L.H.)—R.H.D.	1		} Late Condition
	2121912	Drip Moulding—Side—O.S. (R.H.)—L.H.D.	1		
	2121911	Drip Moulding—Side—N.S. (L.H.)—L.H.D.	1		
A7	2120594	REAR CORNER PANEL—UPPER—O.S. (R.H.)	1		
	2120595	Rear Corner Panel—Upper—N.S. (L.H.)	1		
A8	2120508	Rear Corner Panel—Lower—O.S. (R.H.)	1		
	2120509	Rear Corner Panel—Lower—N.S. (L.H.)	1		
	2224034	Gusset—Top—Rear Corner Panel	2		
	2224035	Gusset—Bottom—Rear Corner Panel	2		
	2225048	Plug Button—Rear Corner Panel—Lower	2		
	2122174 (2216368)	"A" POST PANEL ASSEMBLY—O.S. (R.H.)	1		
	2216368 (2225628)	"A" Post Panel Assembly—O.S. (R.H.)	1		
	2225628	"A" Post Panel Assembly—O.S. (R.H.)	1		
	2121932	Drip Moulding—"A" Post—Upper—O.S. (R.H.)	1		
	2120732 (2216364)	Drip Moulding—"A" Post—Lower—O.S. (R.H.)	1		
	2216364	Drip Moulding—"A" Post—Lower—O.S. (R.H.)	1		
A9	2122175 (2216369)	"A" Post Panel Assembly—N.S. (L.H.)	1		
	2216369 (2225629)	"A" Post Panel Assembly—N.S. (L.H.)	1		
	2225629	"A" Post Panel Assembly—N.S. (L.H.)	1		
A10	2121933	Drip Moulding—Upper—N.S. (L.H.)	1		
A11	2120733 (2216365)	Drip Moulding—Lower—N.S. (L.H.)	1		
	2216365	Drip Moulding—Lower—N.S. (L.H.)	1		

**BODY — SIDE PANEL, ROOF AND FITTINGS — PASSENGER
(LIGHT BUS — CONTRACTORS BUS — STATION WAGON — CARAVAN)**

Plate Ref.	Part Number	DESCRIPTION	No. per Veh.	REMARKS
		LIGHT BUS—continued		
A12	2120668	"A" Post Finisher—O.S. (R.H.)	1	
	2120669	"A" Post Finisher—N.S. (L.H.)	1	
	2120674	CANTRAIL—FRONT DOOR—O.S. (R.H.)	1	
A13	2120675	Cantrail—Front Door—N.S. (L.H.)	1	
A14	2120728	Cantrail Closing Panel—Front Door	2	} Early Condition
	2208378	Cantrail Protection Strip	2	
	2216384	Cantrail Closing Panel—Front Door—O.S. (R.H.)	1	} Late Condition
	2216385	Cantrail Closing Panel—Front Door—N.S. (L.H.)	1	
	2121908	Drip Moulding—Front Door—O.S. (R.H.)	1	
A15	2121909	Drip Moulding—Front Door—N.S. (L.H.)	1	
A16	2120512	Sill Panel—Front Door—O.S. (R.H.)	1	
	2120513	Sill Panel—Front Door—N.S. (L.H.)	1	
	H.107112	Buffer Sill Panel	2	
	2214723	STEP FRAME—FRONT DOOR—N.S. (L.H.)	1	} Home
	2214726	Washer Plate	2	
	39104120	Screw— $\frac{1}{2}$ " UNF. \times $\frac{1}{4}$ " } Step Frame	4	
	9067017	Washer— $\frac{1}{2}$ " plain ... } to Body	4	
	9510040	Nut— $\frac{1}{2}$ " UNF. ... }	4	
	2214725	Finisher—Front Door Step—N.S. (L.H.)	1	
	2120586 (2228076)	"B" POST PANEL—O.S. (R.H.)	1	
	2120587 (2228077)	"B" Post Panel—N.S. (L.H.)	1	
	2228076	"B" Post Panel—O.S. (R.H.)	1	
	2228077	"B" Post Panel—N.S. (L.H.)	1	
	2120756	"B" Post Finisher—O.S. (R.H.)	1	
	2120757	"B" Post Finisher—N.S. (L.H.)	1	
	H.107112	Buffer—"B" Post Panel	2	See Note 7—Page 280
	2223056	Buffer—"B" Post Panel	2	} See Note 8—Page 280
	2223012	Packing Piece ... } Buffer to	A/R	
	39600166	Screw—No. 4 UNC. \times 1" } "B" Post	4	
A19	2204946	DOOR PANEL ASSEMBLY—FRONT—O.S. (R.H.)	1	} See Note 7—Page 280
A20	2204947	Door Panel Assembly—Front—N.S. (L.H.)	1	
	2225098 (3021430)	Door Panel Assembly—Front—O.S. (R.H.)	1	} See Note 8 up to Note 11 and see Special Note A—Page 280
	2225099 (3021429)	Door Panel Assembly—Front—N.S. (L.H.)	1	
	3021430	Door Panel Assembly—Front—O.S. (R.H.)	1	} See Note 11 and Special Note A—Page 280
	3021429	Door Panel Assembly—Front—N.S. (L.H.)	1	
A21	2202941	Glass—Dropping—Door—Front	2	
A22	2202953	Glass Run Channel—Top	2	
	9130104	Clip—Glass Channel	6	
A23	2202954	Glass Run Channel Assembly—Draughtless Ventilator—O.S. (R.H.)	1	
	2202955	Glass Run Channel Assembly—Draughtless Ventilator—N.S. (L.H.)	1	
A24	2202956	Glass Run Channel Assembly—"B" Post—O.S. (R.H.)	1	
	2202957	Glass Run Channel Assembly—"B" Post—N.S. (L.H.)	1	
	9130104	Clip—Glass Channel	8	
	39303060	Screw—No. 10 UNF. \times $\frac{1}{2}$ " } Glass	4	
	H.83295	Washer ... } Channel	4	
A25	2202942	Channel—Glass—Bottom	2	} Used prior to Note 11—See also Special Note A—Page 280
	3055927	Channel Bottom—O.S. (R.H.)	1	
	3055928	Channel Bottom—N.S. (L.H.)	1	} See Note 11 and Special Note A—Page 280
A25/1	2202991	Weatherstrip—Glass Channel—Bottom	2	
A26	2203223 (2215723)	Weatherstrip—Waist Rail	2	} Used prior to Chassis No. 1500/-008434
	P.43647	Clip	8	

**BODY — SIDE PANEL, ROOF AND FITTINGS — PASSENGER
(LIGHT BUS — CONTRACTORS BUS — STATION WAGON — CARAVAN)**

Plate Ref.	Part Number	DESCRIPTION	No. per Veh.	REMARKS
		LIGHT BUS—continued		
	2216402	Seal—Waist Rail—O.S. (R.H.)	1	Used on and after Chassis No. 1500(-)/008434 and up to Chassis No. 1500(-)/015897
	2216403	Seal—Waist Rail—N.S. (L.H.)	1	
	9130071	Clip	10	
	2215723 (2216402/3)	Weatherstrip—Waist Rail	2	Used on and after Chassis No. 1500(-)/015897—CKD 1500(-)/72347
	9130071	Clip	10	
	2122054	Glass Stop Bracket Assembly	2	
	P.49120 (9119595)	Plug—Drain Hole	8	
	2202934	DRAUGHTLESS VENTILATOR ASSEMBLY—O.S. (R.H.)	1	
	2202935	Draughtless Ventilator Assembly—N.S. (L.H.)	1	
A27		Outer Frame		Not supplied
A28	2202936	Glass	2	
A29	H.100670	Glazing Strip	A/R	Order in feet
A30		Inner Frame		Not supplied
A31	5037562	Top Pivot Bracket—Outer—O.S. (R.H.)	1	
	5037563	Top Pivot Bracket—Outer—N.S. (L.H.)	1	
A32	5037564	Top Pivot Bracket—Inner—O.S. (R.H.)	1	
	5037565	Top Pivot Bracket—Inner—N.S. (L.H.)	1	
A33	5037561	Locking Plate	2	
A34	H.89382	Locking Handle—O.S. (R.H.)	1	
	H.92375	Locking Handle—N.S. (L.H.)	1	
A35	K.23791	Waved Washer	4	
A36	K.23792	Grooved Pin	2	
A37	2208516	Weatherstrip—O.S. (R.H.)	1	
	2208517	Weatherstrip—N.S. (L.H.)	1	
	39602061	Screw—No. 8 UNC. × 1"—Ventilator to Door	6	
A38	2121934	WINDOW REGULATOR ASSEMBLY—O.S. (R.H.)	1	Used prior to Note 11 and see Special Note A—Page 280
	2121935	Window Regulator Assembly—N.S. (L.H.)	1	
	2223070	Window Regulator Assembly—O.S. (R.H.)	1	See Note 11 and Special Note A—Page 280
	2223071	Window Regulator Assembly—N.S. (L.H.)	1	
	39304081	Screw—1" UNF. × 1/2" } Regulator	8	
	9664163	Washer—1" shakeproof } to Door	8	
A39	2218559	WINDOW REGULATOR HANDLE ASSEMBLY	2	
A40	H.114165	Escutcheon	2	
A41	2203160	Pad—Escutcheon } Handle	2	
A42	H.106236	Cross Pin } to Door	2	
A43	9122188	Pad—Handle Pin	2	
A44	5037588	LOCK ASSEMBLY—FRONT DOOR—O.S. (R.H.)	1	
	5037587	Lock Assembly—Front Door—N.S. (L.H.)	1	
A45	5037584	Link—Front Door—O.S. (R.H.)	1	See Note 3—Page 279
	5037583	Link—Front Door—N.S. (L.H.)	1	
A46	5037590	Remote Control Assembly—Front Door—O.S. (R.H.)	1	See Note 4—Page 279
	5037589	Remote Control Assembly—Front Door—N.S. (L.H.)	1	
	5038177	Lock Assembly—Front Door—O.S. (R.H.)	1	
	5038178	Lock Assembly—Front Door—N.S. (L.H.)	1	
	5038181	Link—Front Door—O.S. (R.H.)	1	
	5038182	Link—Front Door—N.S. (L.H.)	1	
	5038179	Remote Control Assembly—Front Door—O.S. (R.H.)	1	
	5038180	Remote Control Assembly—Front Door—N.S. (L.H.)	1	
	K.29918	Rivet	4	
	9075011	Waved Washer } Lock and Remote Control to Link	4	
	9071124	Shim	4	
	39303081	Screw—No. 10 UNF. × 1/2" } Lock and	12	
	9663122	Washer—3/8" shakeproof } Remote Control	12	
	9067010	Washer—3/8" plain } to Door	6	

**BODY — SIDE PANEL, ROOF AND FITTINGS — PASSENGER
(LIGHT BUS — CONTRACTORS BUS — STATION WAGON — CARAVAN)**

Plate Ref.	Part Number	DESCRIPTION	No. per Veh.	REMARKS
		LIGHT BUS—continued		
	2203158	HANDLE ASSEMBLY—LOCKING—FRONT DOOR—		
		OUTSIDE—O.S. (R.H.)	1	
	H.115971	Cylinder Lock } F.P.	1	} When ordering always quote number stamped on lock.
	H.111745	Key } Series	2	
A47	2203159	Handle Assembly—Non-Locking—Front Door—Outside—N.S. (L.H.)	1	
A48	2218963	Attachment Plate	2	
A49	H.114768	Gasket	2	
	9663102	Washer— $\frac{3}{8}$ " shakproof	4	
	9550020	Nut—No. 6 UNC.	4	
A50	H.105472	HANDLE ASSEMBLY—FRONT DOOR—INSIDE	2	
A51	H.114165	Escutcheon—Handle to Door	2	
A52	2203160	Pad—Escutcheon	2	
A53	H.108236	Cross Pin } Handle to Door	2	
A54	9122188	Pad—Handle Pin	2	
	2206460 (2228012)	TRIM PAD—RED—FRONT DOOR—O.S. (R.H.)	1	
A55	2206461 (2228013)	Trim Pad—Red—Front Door—N.S. (L.H.)	1	
	2228012	Trim Pad—Red—Front Door—O.S. (R.H.)	1	
	2228013	Trim Pad—Red—Front Door—N.S. (L.H.)	1	
		Piping—Trim Pad	1	Not supplied
	9131013	Clip—Trim Pad to Door	30	
A56	2121976	Trim Pad Retainer	2	
	9731063	Tapping Screw—No. 4 \times 1"—Retainer to Door	12	
	2214658	ASH BOWL—RED—FRONT DOOR	2	
	9762086	Tapping Screw—No. 6 \times $\frac{1}{2}$ "	6	
A57	2206222	LOOP—FRONT DOOR PULL	2	
A58	2206223	Plate—Door Pull Loop	2	
	9733086	Screw—No. 8 \times $\frac{1}{2}$ " } Loop to Early Models	4	} Early Condition
	39802061	Screw—No. 8 UNC. \times $\frac{1}{2}$ " } Door Late Models	4	
	H.118625	Pull—Door	2	
	2221746	Tapped Plate—Door Pull	2	} Late Condition
	39423122	Screw—Pull to Door	4	
	2223093	BADGE—FRONT DOOR	2	} 2500 Series
	9132944	Friction Bush	4	
	2121980	HINGE—UPPER—FRONT DOOR—O.S. (R.H.)	1	
A59	2121961	Hinge—Upper—Front Door—N.S. (L.H.)	1	
	2121962	Hinge—Lower—Front Door—O.S. (R.H.)	1	} See Note 7—Page 280
A60	2121963	Hinge—Lower—Front Door—N.S. (L.H.)	1	
	39215120	Screw— $\frac{3}{8}$ " UNF. \times 1"—Hinge to Door	14	
	39225144	Screw— $\frac{3}{8}$ " UNF. \times $\frac{1}{2}$ "—Hinge to "A" Post	12	
	2224042	Hinge—Upper—Front Door—O.S. (R.H.)	1	
	2224043	Hinge—Upper—Front Door—N.S. (L.H.)	1	
	2224044	Hinge—Lower—Front Door—O.S. (R.H.)	1	} See Note 8—Page 280
	2224045	Hinge—Lower—Front Door—N.S. (L.H.)	1	
	39215120	Screw— $\frac{3}{8}$ " UNF. \times 1"—Hinge to Door	14	
	39225184	Screw— $\frac{3}{8}$ " UNF. \times 1 $\frac{1}{2}$ "—Hinge to "A" Post	12	
	39205064	Screw— $\frac{3}{8}$ " UNF. \times 1"—Hinge to Support Plate	4	
	2120678	Hinge Cover Plate—Upper—O.S. (R.H.)	1	
A61	2120679	Hinge Cover Plate—Upper—N.S. (L.H.)	1	
	2120680	Hinge Cover Plate—Lower—O.S. (R.H.)	1	
A62	2120681	Hinge Cover Plate—Lower—N.S. (L.H.)	1	
	9732086	Tapping Screw—No. 6 \times $\frac{1}{2}$ "—Cover Plate to "A" Post	16	
A63	2121998 (2225092)	CHECK ARM ASSEMBLY—FRONT DOOR	2	
	2225092	Check Arm Assembly—Front Door	2	
	H.116241	Rivet—Check Arm to Door	2	
A64	2120770	Bracket—Check Arm	2	
	19505052	Screw— $\frac{3}{8}$ " UNF. \times 1" } Bracket	4	
	9664203	Washer— $\frac{3}{8}$ " shakproof } to Body	4	

**BODY — SIDE PANEL, ROOF AND FITTINGS — PASSENGER
(LIGHT BUS — CONTRACTORS BUS — STATION WAGON — CARAVAN)**

Plate Ref.	Part Number	DESCRIPTION	No. per Veh.	REMARKS
		LIGHT BUS—continued		
	H.114708	STRIKER—FRONT DOOR LOCK—O.S. (R.H.)	1	} See Note 1—Page 279
	H.114709	Striker—Front Door Lock—N.S. (L.H.)	1	
	2121922	Striker—Front Door Lock—O.S. (R.H.)	1	} See Note 2—Page 279
A65	2121923	Striker—Front Door Lock—N.S. (L.H.)	1	
	2218552	Washer—Packing—Striker Door Lock	A/R	
	39104081	Screw— $\frac{1}{2}$ " UNF. \times $\frac{1}{4}$ "—Striker to Body	6	
	2202950	WEATHERSTRIP — FRONT DOOR APERTURE — O.S. (R.H.)	1	
A66	2202950	Weatherstrip—Front Door Aperture—N.S. (L.H.)	1	
	P.49288	Clip—Weatherstrip	60	
A67	2203131 (5200520)	GRAB HANDLE—"A" POST	2	
	39313101	Screw—No. 10 UNF. \times $\frac{1}{4}$ " Grab Handle	4	
	9663123	Washer— $\frac{3}{8}$ " shakeproof } to "A" Post	4	
A68	2120557	"B"—"C" POST PANEL—N.S. (L.H.)—R.H.D.	1	
	2120556	"B"—"C" Post Panel—O.S. (R.H.)—L.H.D.	1	
A69	2122056	POST ASSEMBLY—SIDE DOOR—STRIKER—R.H.D.	1	Early Condition
	2225634	Post Assembly—Side Door—Striker—R.H.D.	1	Late Condition
A70	2122061	Post Assembly—Side Door—Hinged—R.H.D.	1	
A71	2122099	Check Arm Bracket Assembly—R.H.D.	1	} Order in Pairs
	2122098	Check Arm Bracket Assembly—R.H.D.	1	
A72	2120784	Bracket—Upper Hinge—R.H.D.	1	
A73	2120630	Bracket—Lower Hinge—R.H.D.	1	
	2122057	Post Assembly—Side Door—Striker—L.H.D.	1	Early Condition
	2225635	Post Assembly—Side Door—Striker—L.H.D.	1	Late Condition
	2122060	Post Assembly—Side Door—Hinged—L.H.D.	1	
	2122099	Check Arm Bracket Assembly—L.H.D.	1	} Order in Pairs
	2122098	Check Arm Bracket Assembly—L.H.D.	1	
	2120785	Bracket—Upper Hinge—L.H.D.	1	
	2120631	Bracket—Lower Hinge—L.H.D.	1	
	2122086	Finisher Panel Assembly—"C" Post—R.H.D.	1	
A74	2122085	Finisher Panel Assembly—"C" Post—L.H.D.	1	
	39313061	Screw—No. 10 UNF. \times $\frac{1}{4}$ " Blanking Hole—	2	
	9663123	Washer— $\frac{3}{8}$ " shakeproof } "C" Post Finisher	2	
	2122085	Finisher Panel Assembly—"D" Post—R.H.D.	1	} Early Condition
	2122086	Finisher Panel Assembly—"D" Post—L.H.D.	1	
	2228065	Finisher Panel Assembly—"D" Post—R.H.D.	1	} Late Condition
	2228064	Finisher Panel Assembly—"D" Post—L.H.D.	1	
A75	2120700	CANTRAIL—SIDE DOOR	1	
A76	2120778	Cantrail Closing Panel	1	Early Condition
	2216549	Seal—Cantrail—Side Door	1	
A77	2121914	Drip Moulding—Side Door	1	
A78	2121995	Finisher Strip—Top—Side Door	1	
A79	2121945	Finisher Strip—"C" Post—R.H.D.	1	} Used prior to Chassis No. —See Note 9—Page 280
	2121944	Finisher Strip—"C" Post—L.H.D.	1	
A80	2121944	Finisher Strip—"D" Post—R.H.D.	1	} Used on and after Chassis Nos.—See Note 10—Page 280
	2121945	Finisher Strip—"D" Post—L.H.D.	1	
	2228079	Finisher Strip—Upper } "C" Post—R.H.D.	1	
	2228081	Finisher Strip—Lower } "C" Post—R.H.D.	1	
	2228078	Finisher Strip—Upper } "C" Post—L.H.D.	1	
	2228080	Finisher Strip—Lower } "C" Post—L.H.D.	1	
	2228078	Finisher Strip—Upper } "D" Post—R.H.D.	1	
	2228080	Finisher Strip—Lower } "D" Post—R.H.D.	1	
	2228079	Finisher Strip—Upper } "D" Post—L.H.D.	1	
	2228081	Finisher Strip—Lower } "D" Post—L.H.D.	1	
A81	2204514	TREAD PLATE—SILL—SIDE DOOR	1	
	9763085	Tapping Screw—No. 8 \times $\frac{1}{4}$ "—Tread Plate	4	

**BODY — SIDE PANEL, ROOF AND FITTINGS — PASSENGER
(LIGHT BUS — CONTRACTORS BUS — STATION WAGON — CARAVAN)**

Plate Ref.	Part Number	DESCRIPTION	No. per Veh.	REMARKS
		LIGHT BUS—continued		
A82	2204973 (2228095)	DOOR PANEL ASSEMBLY—SIDE—N.S. (L.H.)—R.H.D.	1	} See Note 9—Page 280
	2204972 (2228094)	Door Panel Assembly—Side—O.S. (R.H.)—L.H.D.	1	
	2228095	Door Panel Assembly—Side—N.S. (L.H.)—R.H.D.	1	
	2228094	Door Panel Assembly—Side—O.S. (R.H.)—L.H.D.	1	} See Note 10—Page 280
A83	2203342	Glass—Side Door	1	
A84	2203343	Weatherstrip—Side Door Glass	1	} Home—Standard Early Condition
	2206781 (2216989)	WINDOW ASSEMBLY—SLIDING—SIDE DOOR—N.S. (L.H.)—R.H.D.	1	
	2206780 (2216988)	Window Assembly—Sliding—Side Door—O.S. (R.H.)—L.H.D.	1	} Export—Standard; Home—Special Order only Intermediate Condition
	2206782	Glass—Sliding	1	
	2206783	Glass—Fixed	1	
	2208573	Catch Assembly—N.S. (L.H.)—R.H.D.	1	
	2208572	Catch Assembly—O.S. (R.H.)—L.H.D.	1	
	39601041	Screw—No. 6 UNC. $\times \frac{1}{2}$ "—Catch to Frame	2	
	2203262	Striking Plate	1	
	2206784	Filler Strip—Rubber	1	
	2203294	Channel Seal—Rubber	1	
	2203291	Spring—Channel	1	
	2206388	Backing Plate	2	
	39001031	Screw—4 BA $\times \frac{1}{8}$ "—Backing Plate	8	
	2208148	Weatherstrip—Sliding Window—Side Door	1	
	2216989	WINDOW ASSEMBLY—SLIDING—SIDE DOOR—N.S. (L.H.)—R.H.D.	1	
	2216988	Window Assembly—Sliding—Side Door—O.S. (R.H.)—L.H.D.	1	
	2216999	Glass—Sliding	1	
	2206783	Glass—Fixed	1	
	2216993	Catch Assembly	1	
	39001064	Screw—4 BA $\times \frac{1}{2}$ "—Finger Pull to Running Channel	2	
	2216998	Finger Pull	1	
	2206784	Filler Strip—Rubber	1	
	2203294	Channel Seal—Rubber	1	
	2203291	Spring—Channel	1	
	2206388	Backing Plate	2	
	39001031	Screw—4 BA $\times \frac{1}{8}$ "—Backing Plate	8	
	2208148	Weatherstrip—Sliding Window—Side Door	1	
A85	5037587	LOCK ASSEMBLY—SIDE DOOR—N.S. (L.H.)—R.H.D.	1	} See Note 3— Page 279
	5037588	Lock Assembly—Side Door—O.S. (R.H.)—L.H.D.	1	
	5037585	Link—Side Door—N.S. (L.H.)—R.H.D.	1	
	5037586	Link—Side Door—O.S. (R.H.)—L.H.D.	1	
	5037589	Remote Control Assembly—Side Door—N.S. (L.H.)—R.H.D.	1	
	5037590	Remote Control Assembly—Side Door—O.S. (R.H.)—L.H.D.	1	
	5038178	Lock Assembly—Side Door—N.S. (L.H.)—R.H.D.	1	
	5038177	Lock Assembly—Side Door—O.S. (R.H.)—L.H.D.	1	
	5038183	Link—Side Door—N.S. (L.H.)—R.H.D.	1	
	5038184	Link—Side Door—O.S. (R.H.)—L.H.D.	1	
	5038180	Remote Control Assembly—Side Door—N.S. (L.H.)—R.H.D.	1	} See Note 4— Page 279
	5038179	Remote Control Assembly—Side Door—O.S. (R.H.)—L.H.D.	1	
	K.29918	Rivet	2	
	9073011	Waxed Washer } Lock and Remote Control to Link	2	
	9071124	Shim	2	
	2122068	Remote Control Bracket Assembly—Side Door—N.S. (L.H.)—R.H.D.	1	
	2122069	Remote Control Bracket Assembly—Side Door—O.S. (R.H.)—L.H.D.	1	
	39303081	Screw—No. 10 UNF. $\times \frac{1}{2}$ " } Lock and	6	
	9664122	Washer— $\frac{1}{8}$ " shanksproof } Remote Control	6	
	9067010	Washer— $\frac{1}{8}$ " plain } to Side Door	3	

**BODY — SIDE PANEL, ROOF AND FITTINGS — PASSENGER
(LIGHT BUS — CONTRACTORS BUS — STATION WAGON — CARAVAN)**

Plate Ref.	Part Number	DESCRIPTION	No. per Veh.	REMARKS
		LIGHT BUS—continued		
	39304081	Screw— $\frac{1}{4}$ " UNF. \times $\frac{1}{4}$ "	6	
	9664163	Washer— $\frac{1}{4}$ " shakeproof	6	
	9067017	Washer— $\frac{1}{4}$ " plain	3	
A88	2203159	HANDLE ASSEMBLY—SIDE DOOR—OUTSIDE	1	
A89	2218963	Attachment Plate	1	
A90	H.114768	Gasket	1	
	9663102	Washer— $\frac{3}{8}$ " shakeproof	2	
	9550020	Nut—No. 8 UNC.	2	
A91	H.105472	HANDLE ASSEMBLY—SIDE DOOR—INSIDE	1	
A92	H.114165	Escutcheon	1	
A93	2203160	Pad—Escutcheon	1	
A94	H.108236	Cross Pin	1	
A95	9122188	Rubber Pad	1	
A96	2206462 (2228025)	TRIM PAD—RED—SIDE DOOR	1	
	2228025	Trim Pad—Red—Side Door	1	
		Piping—Trim Pad		Not supplied
	9131013	Clip—Trim Pad to Door	17	
A97	2121976	Trim Pad Retainer—Side Door	1	
	9731063	Tapping Screw—No. 4 \times $\frac{1}{2}$ "—Retainer to Door	6	
	2206222	LOOP—SIDE DOOR PULL	1	
	2206223	Plate—Door Pull Loop	1	
	39802081	Screw—No. 8 UNC. \times $\frac{1}{2}$ "—Loop to Door	2	
	H.118625	Pull—Door	1	
	2221746	Tapped Plate—Door Pull	1	
	39423122	Screw—Pull to Door	2	
	2214658	ASH BOWL—RED—SIDE DOOR	1	
	9762086	Tapping Screw—No. 6 \times $\frac{1}{2}$ "	3	
A98	2122049	HINGE—UPPER—SIDE DOOR—N.S. (L.H.)—R.H.D.	1	
A99	2122047	Hinge—Lower—Side Door—N.S. (L.H.)—R.H.D.	1	
	2122048	Hinge—Upper—Side Door—O.S. (R.H.)—L.H.D.	1	
	2122046	Hinge—Lower—Side Door—O.S. (R.H.)—L.H.D.	1	
	19105229	Bolt— $\frac{3}{8}$ " UNF. \times $2\frac{1}{2}$ "	2	
	19105139	Bolt— $\frac{3}{8}$ " UNF. \times $1\frac{1}{4}$ "	2	
	9510051	Nut— $\frac{3}{8}$ " UNF.	4	
	9664203	Washer—Shakeproof	4	
	39305104	Screw— $\frac{3}{8}$ " UNF. \times $\frac{1}{4}$ "	7	
	9664203	Washer— $\frac{3}{8}$ " shakeproof	7	
	2214788	Seal—Rubber—Side Door Hinge	2	
	2214787	Retainer—Seal	2	
	9722065	Tapping Screw—Retainer—No. 6 \times $\frac{1}{2}$ "	4	
A100	2121994	CHECK ARM ASSEMBLY—SIDE DOOR	1	
	H.116241	Rivet—Check Arm to Body	1	
	H.114709	STRIKER—SIDE DOOR LOCK—N.S. (L.H.)—R.H.D.	1	
	H.114708	Striker—Side Door Lock—O.S. (R.H.)—L.H.D.	1	
A101	2121923	Striker—Side Door Lock—N.S. (L.H.)—R.H.D.	1	
	2121922	Striker—Side Door Lock—O.S. (R.H.)—L.H.D.	1	
	2218552	Washer—Packing—Striker—Door Lock	A/R	
	39304081	Screw— $\frac{1}{4}$ " UNF. \times $\frac{1}{4}$ "—Striker to Body	3	
A102	2203241	WEATHERSTRIP—SIDE DOOR	1	
A103	2203131	Grab Handle—"D" Post	1	
	39313101	Screw—No. 10 UNF. \times $\frac{1}{2}$ "	2	
	9663123	Washer— $\frac{3}{8}$ " shakeproof	2	
A104	2203342	WINDOW GLASS—SIDE—FRONT	1	
A105	2203343	Weatherstrip—Glass—Side—Front	1	

**BODY — SIDE PANEL, ROOF AND FITTINGS — PASSENGER
(LIGHT BUS — CONTRACTORS BUS — STATION WAGON — CARAVAN)**

Plate Ref.	Part Number	DESCRIPTION	No. per Veh.	REMARKS
		LIGHT BUS—continued		
	2206780 (2216988)	WINDOW ASSEMBLY — SLIDING — SIDE — FRONT — O.S. (R.H.)—R.H.D.	1	} Export—Standard; Home—Special Order only— Intermediate Condition
	2206781 (2216989)	Window Assembly—Sliding—Side—Front—N.S. (L.H.)—L.H.D.	1	
	2206782	Glass—Sliding	1	
	2206783	Glass—Fixed	1	
	2208572	Catch Assembly—O.S. (R.H.)—R.H.D.	1	
	2208573	Catch Assembly—N.S. (L.H.)—L.H.D.	1	
	39601041	Screw—No. 6 UNC. × 1" — Catch to Frame	2	
	2203262	Striking Plate	1	
	2206784	Filler Strip—Rubber	1	
	2203294	Channel Seal—Rubber	1	
	2203291	Spring—Channel	1	
	2206388	Backing Plate	4	
	39001031	Screw—4 BA × 3/8" — Backing Plate	8	
	2208148	Weatherstrip—Sliding Window—Side—Front	1	
	2216988	WINDOW ASSEMBLY — SLIDING — SIDE — FRONT — O.S. (R.H.)—R.H.D.	1	
	2216989	Window Assembly — Sliding — Side — Front — N.S. (L.H.) L.H.D.	1	
	2216999	Glass—Sliding	1	
	2206783	Glass—Fixed	1	
	2216993	Catch Assembly	1	
	39001064	Screw—4 BA × 1" — Finger Pull to Running Channel	2	
	2216998	Finger Pull	1	
	2206784	Filler Strip—Rubber	1	
	2203294	Channel Seal—Rubber	1	
	2203291	Spring—Channel	1	
	2206388	Backing Plate	2	
	39001031	Screw—4 BA × 3/8" — Backing Plate	8	
	2208148	Weatherstrip—Sliding Window—Side—Front	1	
	2203300 (2217540)	WINDOW ASSEMBLY — SLIDING — INTERMEDIATE — O.S. (R.H.)	1	} Export—Standard; Home—Special Order only Late Condition
	2203301 (2217541)	Window Assembly—Sliding—Intermediate—N.S. (L.H.)	1	
A106	2203197	Glass—Sliding	2	
A107	2203306	Glass—Fixed	2	
A108	2208572	Catch Assembly—O.S. (R.H.)	1	
A109	2208573	Catch Assembly—N.S. (L.H.)	1	
	39601041	Screw—No. 6 UNC. × 1" — Catch to Frame	4	
A110	2203262	Striking Plate	2	
	2203295	Filler Strip—Rubber	2	
	2203294	Channel Seal—Rubber	2	
	2203291	Spring—Channel	2	
	2206388	Backing Plate	4	
	39001031	Screw—4 BA × 3/8" — Backing Plate	16	
A111	2203297	Weatherstrip—Sliding Window—Intermediate	2	} Early Models

**BODY — SIDE PANEL, ROOF AND FITTINGS — PASSENGER
(LIGHT BUS — CONTRACTORS BUS — STATION WAGON — CARAVAN)**

Plate Ref.	Part Number	DESCRIPTION	No. per Veh.	REMARKS
		LIGHT BUS—continued		
	2217542 (2217540)	WINDOW ASSEMBLY—SLIDING—INTERMEDIATE—O.S. (R.H.)	1	} Late Models
	2217543 (2217541)	Window Assembly—Sliding—Intermediate—N.S. (L.H.)	1	
	2217548	Glass—Sliding	2	
	2203306	Glass—Fixed	2	
	2216993	Catch Assembly	2	
	39001064	Screw—4 BA × ½"—Finger Pull to Running Channel	4	
	2216998	Finger Pull	2	
	2206784	Filler Strip—Rubber	2	
	2203294	Channel Seal—Rubber	2	
	2203291	Spring Channel	2	
	2206388	Backing Plate	4	
	39001031	Screw—4 BA × ½"—Backing Plate	16	
	2208148	Weatherstrip—Sliding Window—Intermediate	2	
	2203318	WINDOW GLASS—SIDE—REAR—O.S. (R.H.)	1	
A112	2203319	Window Glass—Side—Rear—N.S. (L.H.)	1	
	2203320	Weatherstrip—Glass—Side—Rear—O.S. (R.H.)	1	
A113	2203321	Weatherstrip—Glass—Side—Rear—N.S. (L.H.)	1	
A114	2120740	FINISHER PANEL—FRONT	2	} Early Condition
A115	2120708	Finisher Panel—Window—Front	1	
A116	2120705	Finisher Panel—Window—Centre	2	} Late Condition
	2228060	Finisher Panel—Window—Front—R.H.D.	1	
	2228061	Finisher Panel—Window—Front—L.H.D.	1	
	2228051	Finisher Panel—Window—Centre	2	} Early Condition
A117	2120706	Finisher Panel—Window—Intermediate—Rear—O.S. (R.H.)	1	
	2120707	Finisher Panel—Window—Intermediate—Rear—N.S. (L.H.)	1	
	2228058	Finisher Panel—Window—Intermediate—Rear—O.S. (R.H.)	1	
	2228059	Finisher Panel—Window—Intermediate—Rear—N.S. (L.H.)	1	} Late Condition
A118	2120710	Finisher Panel—Window—Rear Corner—O.S. (R.H.)	1	
	2120711	Finisher Panel—Window—Rear Corner—N.S. (L.H.)	1	
	9732086	Tapping Screw—No. 6 × ½"—Finisher to Rear Pillar	12	
A119	2204580	PANEL—INTERIOR—REAR CORNER—O.S. (R.H.)	1	
	2204581	Panel—Interior—Rear Corner—N.S. (L.H.)	1	
	9774126	Tapping Screw—No. 10 × ½"—Rear Corner	16	
	9067094	Washer—½" plain	16	
A120	2206406	PANEL COVER—REAR LAMP—O.S. (R.H.)	1	
	2206407	Panel Cover—Rear Lamp—N.S. (L.H.)	1	
	9020036	Spire Nut	12	
	9732043	Tapping Screw—No. 6 × ½"—Cover Panel	12	
A121	2122096	SEAT FIXING RAIL ASSEMBLY—LONG—O.S. (R.H.)—R.H.D.	1	} Early Condition
	2122095	Seat Fixing Rail Assembly—Short—N.S. (L.H.)—R.H.D.	1	
	2122094	Seat Fixing Rail Assembly—Short—O.S. (R.H.)—L.H.D.	1	
	2122097	Seat Fixing Rail Assembly—Long—N.S. (L.H.)—L.H.D.	1	
	2225052	Seat Fixing Rail Assembly—Long—O.S. (R.H.)—R.H.D.	1	
	2225051	Seat Fixing Rail Assembly—Short—N.S. (L.H.)—R.H.D.	1	
	2225050	Seat Fixing Rail Assembly—Short—O.S. (R.H.)—L.H.D.	1	
	2225053	Seat Fixing Rail Assembly—Long—N.S. (L.H.)—L.H.D.	1	
	19594052	Screw—½" UNF. × ½"	6	
	9067097	Washer—½" plain	6	
	9664163	Washer—½" shakeproof	6	
A122	2206719 (2228024)	TRIM PAD—RED—"B"—"C" POST	1	} Late Condition
A123	2206706 (2228066)	Trim Pad—Red—Front—Side Panel—O.S. (R.H.)—R.H.D.	1	
	2206707 (2228067)	Trim Pad—Red—Front—Side Panel—N.S. (L.H.)—L.H.D.	1	
A124	2206466 (2228068)	Trim Pad—Red—Centre—Side Panel—O.S. (R.H.)—R.H.D.	1	
	2206467 (2228069)	Trim Pad—Red—Centre—Side Panel—N.S. (L.H.)—L.H.D.	1	
	2206721 (2228071)	Trim Pad—Red—Centre—Side Panel—N.S. (L.H.)—R.H.D.	1	

**BODY — SIDE PANEL, ROOF AND FITTINGS — PASSENGER
(LIGHT BUS — CONTRACTORS BUS — STATION WAGON — CARAVAN)**

Plate Ref.	Part Number	DESCRIPTION	No. per Veh.	REMARKS
		LIGHT BUS—continued		
A125	2206720 (2228070)	Trim Pad—Red—Centre—Side Panel—O.S. (R.H.)—L.H.D. ...	1	
	2206468 (2228018)	Trim Pad—Red—Rear—Side Panel—O.S. (R.H.) ...	1	
	2206469 (2228019)	Trim Pad—Red—Rear—Side Panel—N.S. (L.H.) ...	1	
	2228024	Trim Pad—Red—"B"—"C" Post ...	1	
	2228066	Trim Pad—Red—Front—Side Panel—O.S. (R.H.)—R.H.D. ...	1	
	2228067	Trim Pad—Red—Front—Side Panel—N.S. (L.H.)—L.H.D. ...	1	
	2228068	Trim Pad—Red—Centre—Side Panel—O.S. (R.H.)—R.H.D. ...	1	
	2228069	Trim Pad—Red—Centre—Side Panel—N.S. (L.H.)—L.H.D. ...	1	
	2228071	Trim Pad—Red—Centre—Side Panel—N.S. (L.H.)—R.H.D. ...	1	
	2228070	Trim Pad—Red—Centre—Side Panel—O.S. (R.H.)—L.H.D. ...	1	
	2228018	Trim Pad—Red—Rear—Side Panel—O.S. (R.H.) ...	1	
	2228019	Trim Pad—Red—Rear—Side Panel—N.S. (L.H.) ...	1	
	9131013	Clip—Trim Pad to Side Panel ...	47	
	9762065	Tapping Screw—No. 6 × 1/2" Trim Pad to ...	8	
	9670613	Cup Washer—No. 6 } Side Panel ...	8	
A126	2121977	Trim Pad Retainer—Long—O.S. (R.H.)—R.H.D. ...	1	
	2121978	Trim Pad Retainer—Short—N.S. (L.H.)—R.H.D. ...	1	
	2121978	Trim Pad Retainer—Short—O.S. (R.H.)—L.H.D. ...	1	
	2121977	Trim Pad Retainer—Long—N.S. (L.H.)—L.H.D. ...	1	
A127	2120723	Trim Pad Channel Support—Wheel Arch ...	2	
A128	2120655	Trim Pad Channel Support—Side ...	3	
	19504052	Screw—1/2" UNF, × 1/2" } Seat Fixing Rail Channel ...	2	
	9664163	Washer—1/2" Internal } Support to Trim Pad ...	2	
A129	2214658	ASH BOWL—RED—REAR COMPARTMENT ...	5	
	9762086	Tapping Screw—No. 6 × 1/2"—Ash Bowl ...	15	
	9020000	Spire Nut ...	15	
A130	5037591	MIRROR—EXTERIOR ...	2	
	2216970	Mirror Assembly—Exterior—R.H. ...	1	} N. America Used on and after Chassis No. 1500/015543
	2216971	Mirror Assembly—Exterior—L.H. ...	1	
	5037596	Nut—Mirror Head Fixing ...	2	
	5038034	Mirror Arm—O.S. (R.H.) ...	1	
A131	5038035	Mirror Arm—N.S. (L.H.) ...	1	
A132	9022035	Nut—Dorned ...	2	
A133	5037593	Clamp ...	2	
	5037597	Sleeve } Mirror Arm Fixing ...	2	
A134	2203384	Bracket ...	2	
A135	2203234	Bolt ...	2	
	39313101	Screw—No. 10 UNF, × 1/2" } Mirror ...	4	
	9663123	Washer—1/2" shakeproof } to Door ...	4	
A136	2120500	ROOF PANEL—FRONT ...	1	
A137	2120501	Roof Panel—Rear ...	1	
	2120624	Roof Swage Support Bracket ...	6	
	2120729	Roof Lamp Bracket ...	4	
A138	2203974	VENTILATOR—ROOF ...	1	
A139	2203345	Frame Assembly—Ventilator ...	1	
	2215551	Collar—Ventilator ...	1	} Required only with Tropical Roof Insulation
	19503042	Screw—No. 10 UNF, × 1/2" ...	10	
	9660123	Washer—1/2" spring ...	10	
	9067095	Washer—1/2" plain ...	10	
A140	2203461	Mesh—Ventilator ...	1	} See Note 5—Page 279 Not supplied
A141	P.86026	Surround—Mesh ...	A/R	
	2219120	Board Ventilator ...	1	} See Note 6—Page 279
	9762086	Tapping Screw—No. 6 × 1/2" Mesh/Board ...	8	
	9020036	Spire Nut ... to Frame ...	8	

**BODY — SIDE PANEL, ROOF AND FITTINGS — PASSENGER
(LIGHT BUS — CONTRACTORS BUS — STATION WAGON — CARAVAN)**

Plate Ref.	Part Number	DESCRIPTION	No. per Veh.	REMARKS
		LIGHT BUS—continued		
	2509801	ROOF LINING ASSEMBLY	1	
	2204589	Listing Rail—Nos. 1 and 6—Green	2	
	2204590	Listing Rail—Nos. 2, 3, 4 and 5—Yellow	4	
	2204591	Listing Rail—No. 7—Blue	1	
	2204596	Listing Rail—No. 8—Red	1	
		Fixing Lug—Listing Rail		Not supplied
	2204597	Tie Bracket—Listing Rail	2	
	9733086	Tapping Screw—No. 8 × 1/4" } Tie Bracket	4	
	9663102	Washer—5/8" shakeproof ... } to Body	4	
	9130032	Trim Clip	100	
	2204594	Finisher Strip (Aluminium)—Header	2	
	9772085	Tapping Screw—No. 6 × 1/4" } Finisher	8	
	9067120	Washer—5/8" plain ... } Strip	8	
A142	2121980	Headlining Retainer—Side	2	
		Headlining Retainer—Rear		See Rear End
	9732086	Tapping Screw—No. 6 × 1/4"—Retainer to Body	42	
	2214501	VENTILATOR—ROOF	1	
	2214503	Gauze	1	
	2214502	Collar	1	
	2214504	Grille	1	Alternative to Part No. 2203974 Ventilator and fittings. Special Order only
	9773086	Tapping Screw—No. 8 × 1/4" } Insulation	4	
	2215552	Reinforcing Ring—Not required with Tropical Insulation	1	
	19503042	Screw—No. 10 UNF. × 1/2"	4	
	9510031	Nut—No. 10 UNF.	4	
	9663123	Washer—5/8" shakeproof	4	
		Insulation—Roof—Bitumen Impregnated Rag Felt		Not supplied
		Staple		
	2215553	Insulation Pad—Roof—Isoflex	1	Alternative to Standard items when Tropical Insulation fitted. Special Order only
	2215554	Listing Rail—No. 1—Green	4	
	2215555	Listing Rail—Nos. 2, 3, 4 and 5—Yellow	1	
	2215556	Listing Rail—No. 6—Black	1	
	2215557	Listing Rail—No. 7—Blue	1	
		Listing Rail—No. 8—Red	1	
		Fixing Lug—Listing Rail		Not supplied
		Note 1. Part Nos. H.114708/9 Striker Plates have Triangular Striker Projections.		
		Note 2. Part Nos. 2121922/3 Striker Plates have Radiused Striker Projections.		
		Note 3. Fitted to Vehicles with Part Nos. H.114708/9 Striker (Triangular Striker Projections).		
		Note 4. Fitted to Vehicles with Part Nos. 2121922/3 Striker (Radiused Striker Projections). CHECK TYPE BEFORE ORDERING.		
		Note 5. Used prior to Chassis Nos. Listed in Note 6.		
		Note 6. Used on and after Chassis Nos.—1500/-/217874; CKD Chassis Nos.—1500/-/272515.		

**BODY — SIDE PANEL, ROOF AND FITTINGS — PASSENGER
(LIGHT BUS — CONTRACTORS BUS — STATION WAGON — CARAVAN)**

Plate Ref.	Part Number	DESCRIPTION	No. per Veh.	REMARKS
		<p align="center">LIGHT BUS—continued</p> <p>Note 7. Used prior to Chassis Nos. Listed in Note 8.</p> <p>Note 8. Used on and after Chassis Nos. 1500/-/ 227560—227562/7—227569/80— 227599/806—227609/18—227620/5— 227627/57—227660/2—227664/83— 227685 onwards. CKD—1500/-/275749.</p> <p>Note 9. Used prior to Chassis Nos. Listed in Note 10.</p> <p>Note 10. Introduction of Reinforced 3rd Door (Side Door) giving improved rigidity; used on and after Chassis Nos. 1500/-/ 227357/84—227386/9—227391/5— 227397/8—227400—227404/6— 227408/13—227415/8—227420/2— 227424/8—227430/2—227434/48— 227450/6—227458/70—227472/517— 227519/650—227652/7—227660/71— 227673/7—227679/702—227704/14— 227716/59—227762/80—227782/4— 227787/9—227799/811—227813/4— 227816/25—227827/38—227840— 227842/64—227866—227868/73— 227875/80—227882—227884— 227886—227888—227890— 227894/946—227948/50— 227952/3—227956/8—227960/86— 227987/228014—228016/7— 228019/21—228025— 228028 onwards. CKD—1500/-/275659/88—275701/66— 275785/802—275809/26— 275833/62—275869/74— 275881/98—275905/10— 275917/46—275953/8— 275965 onwards.</p> <p>Note 11. Used on and after Chassis Nos. 1500/-/233842— CKD—1500/-/277909.</p> <p>Special Note A. Introduction of Design Change to the Front Doors to accommodate the new Window Regulators and Channel Bottoms. The new Regulator with larger clutch cannot be fitted to the old Door Assembly, but the old type Regulator can be fitted to the new Door Assembly.</p>		

**BODY — SIDE PANEL, ROOF AND FITTINGS — PASSENGER
(LIGHT BUS — CONTRACTORS BUS — STATION WAGON — CARAVAN)**

Plate Ref.	Part Number	DESCRIPTION	No. per Veh.	REMARKS
		CONTRACTOR'S BUS		
A1	2120540	BODY SIDE PANEL—O.S. (R.H.)	1	} R.H.D.
A2	2122196	Rear Wheel Arch Extension Panel Assembly—O.S. (R.H.) ...	1	
	2218738	Rear Wheel Arch Panel Closing Assembly—O.S. (R.H.) ...	1	
	2222818	Rear Wheel Arch Panel Closing Assembly—O.S. (R.H.) ...	1	
A3	2122192	Seat Fixing Rail to Wheel Arch Bracket Assembly ...	1	
A4	2120543	Body Side Panel—N.S. (L.H.)	1	
	2122197	Rear Wheel Arch Extension Panel Assembly—N.S. (L.H.) ...	1	
	2218739	Rear Wheel Arch Panel Closing Assembly—N.S. (L.H.) ...	1	
	2222819	Rear Wheel Arch Panel Closing Assembly—N.S. (L.H.) ...	1	
	2122193	Seat Fixing Rail to Wheel Arch Bracket Assembly ...	1	
	2120542	Body Side Panel—O.S. (R.H.)	1	} L.H.D.
A2	2122196	Rear Wheel Arch Extension Panel Assembly—O.S. (R.H.) ...	1	
	2218738	Rear Wheel Arch Panel Closing Assembly—O.S. (R.H.) ...	1	
	2222818	Rear Wheel Arch Panel Closing Assembly—O.S. (R.H.) ...	1	
	2122192	Seat Fixing Rail to Wheel Arch Bracket Assembly ...	1	
	2120541	Body Side Panel—N.S. (L.H.)	1	
	2122197	Rear Wheel Arch Extension Panel Assembly—N.S. (L.H.) ...	1	
	2218739	Rear Wheel Arch Panel Closing Assembly—N.S. (L.H.) ...	1	
	2222819	Rear Wheel Arch Panel Closing Assembly—N.S. (L.H.) ...	1	
	2122193	Seat Fixing Rail to Wheel Arch Bracket Assembly ...	1	
A5		Gusset—Rear Door Aperture—O.S. (R.H.)		} Not supplied
		Gusset—Rear Door Aperture—N.S. (L.H.)		
	2211434	Reinforcement—Waist Rail—Long	1	} Export
	2211430	Reinforcement—Waist Rail Extension—Long—O.S. (R.H.)— R.H.D.	1	
	2211431	Reinforcement—Waist Rail Extension—Long—N.S. (L.H.)— L.H.D.	1	
	2211432	Reinforcement—Waist Rail—Short—O.S. (R.H.)—L.H.D. ...	1	
	2211433	Reinforcement—Waist Rail—Short—N.S. (L.H.)—R.H.D. ...	1	
	2228026	Vertical Stiffener Assembly—Front	2	} Late Condition
	2228033	Vertical Stiffener Assembly—Rear	2	
	2224026	Gusset—"D" Post—Waist Finisher	2	
	2224029	Gusset—"D" Post—Bottom Finisher—R.H.D.	1	
	2224028	Gusset—"D" Post—Bottom Finisher—L.H.D.	1	
	2121910	DRIP MOULDING—SIDE—O.S. (R.H.)—R.H.D.	1	
A6	2121913	Drip Moulding—Side—N.S. (L.H.)—R.H.D.	1	
	2121912	Drip Moulding—Side—O.S. (R.H.)—L.H.D.	1	
	2121911	Drip Moulding—Side—N.S. (L.H.)—L.H.D.	1	
A7	2120594	REAR CORNER PANEL—UPPER—O.S.—(R.H.)	1	} Late Condition
	2120595	Rear Corner Panel—Upper—N.S. (L.H.)	1	
A8	2120508	Rear Corner Panel—Lower—O.S. (R.H.)	1	
	2120509	Rear Corner Panel—Lower—N.S. (L.H.)	1	
	2224034	Gusset—Top—Rear Corner Panel	2	
	2224035	Gusset—Bottom—Rear Corner Panel	2	
	2225048	Plug Button—Rear Corner Panel—Lower	2	
	2122174 (2216368)	"A" POST PANEL ASSEMBLY—O.S. (R.H.)	1	
	2216368 (2225628)	"A" Post Panel Assembly—O.S. (R.H.)	1	
	2225628	"A" Post Panel Assembly—O.S. (R.H.)	1	
	2121932	Drip Moulding—"A" Post—Upper—O.S. (R.H.)	1	
	2120732 (2216364)	Drip Moulding—"A" Post—Lower—O.S. (R.H.)	1	
	2216364	Drip Moulding—"A" Post—Lower—O.S. (R.H.)	1	
A9	2122175 (2216369)	"A" Post Panel Assembly—N.S. (L.H.)	1	
	2216369 (2225629)	"A" Post Panel Assembly—N.S. (L.H.)	1	
	2225629	"A" Post Panel Assembly—N.S. (L.H.)	1	
A10	2121933	Drip Moulding—Upper—N.S. (L.H.)	1	

**BODY — SIDE PANEL, ROOF AND FITTINGS — PASSENGER
(LIGHT BUS — CONTRACTORS BUS — STATION WAGON — CARAVAN)**

Photo Ref.	Part Number	DESCRIPTION	No. per Veh.	REMARKS
CONTRACTORS BUS—continued				
A11	2120733 (2216365)	Drip Moulding—Lower—N.S. (L.H.)	1	
	2216365	Drip Moulding—Lower—N.S. (L.H.)	1	
A12	2120668	"A" Post Finisher—O.S. (R.H.)	1	
	2120669	"A" Post Finisher—N.S. (L.H.)	1	
	2120674	CANTRAIL—FRONT DOOR—O.S. (R.H.)	1	
A13	2120675	Cantrail—Front Door—N.S. (L.H.)	1	
A14	2120728	Cantrail Closing Panel—Front Door	2	} Early Condition
	2206378	Cantrail Protection Strip	2	
	2216384	Cantrail Closing Panel—Front Door—O.S. (R.H.)	1	} Late Condition
	2216385	Cantrail Closing Panel—Front Door—N.S. (L.H.)	1	
	2121908	Drip Moulding—Front Door—O.S. (R.H.)	1	
A15	2121909	Drip Moulding—Front Door—N.S. (L.H.)	1	
A16	2120512	Sill Panel—Front Door—O.S. (R.H.)	1	
	2120513	Sill Panel—Front Door—N.S. (L.H.)	1	
	H.107112	Buffer Sill Panel	2	
	2214723	STEP FRAME—FRONT DOOR—N.S. (L.H.)	1	} Home
	2214726	Washer Plate	2	
	39104120	Screw— $\frac{1}{2}$ " UNF. \times $\frac{1}{2}$ " Step Frame	4	
	9067017	Washer— $\frac{1}{2}$ " plain ... to Body	4	
	9510040	Nut— $\frac{1}{2}$ " UNF.	4	
	2214725	Finisher—Front Door Step—N.S. (L.H.)	1	
	2120586 (2228076)	"B" POST PANEL—O.S. (R.H.)	1	
	2120587 (2228077)	"B" Post Panel—N.S. (L.H.)	1	
	2228076	"B" Post Panel—O.S. (R.H.)	1	
	2228077	"B" Post Panel—N.S. (L.H.)	1	
	2120756	"B" Post Finisher—O.S. (R.H.)	1	
	2120757	"B" Post Finisher—N.S. (L.H.)	1	
	H.107112	Buffer—"B" Post Panel	2	See Note 7—Page 292
	2223056	Buffer—"B" Post Panel	2	
	2223012	Packing Piece ... } Buffer to	A/R	} See Note 8—Page 292
	39600166	Screw—No. 4 UNC. \times $1\frac{1}{2}$ " "B" Post	4	
A19	2204946	DOOR PANEL ASSEMBLY—FRONT—O.S. (R.H.)	1	} See Note 7—Page 292
A20	2204947	Door Panel Assembly—Front—N.S. (L.H.)	1	
	2225098 (3021430)	Door Panel Assembly—Front—O.S. (R.H.)	1	} See Note 8 up to Note 11 and see Special Note A— Page 292
	2225099 (3021429)	Door Panel Assembly—Front—N.S. (L.H.)	1	
	3021430	Door Panel Assembly—Front—O.S. (R.H.)	1	} See Note 11 and Special Note A—Page 292
	3021429	Door Panel Assembly—Front—N.S. (L.H.)	1	
A21	2202941	Glass—Dropping—Door—Front	2	
A22	2202953	Glass Run Channel—Top	2	
	9130104	Clip—Glass Channel	6	
A23	2202954	Glass Run Channel Assembly—Draughtless Ventilator— O.S. (R.H.)	1	
	2202955	Glass Run Channel Assembly—Draughtless Ventilator— N.S. (L.H.)	1	
A24	2202956	Glass Run Channel Assembly—"B" Post—O.S. (R.H.)	1	
	2202957	Glass Run Channel Assembly—"B" Post—N.S. (L.H.)	1	
	9130104	Clip—Glass Channel	8	
	39303060	Screw—No. 10 UNF. \times $\frac{1}{2}$ " } Glass	4	
	H.83295	Washer ... } Channel	4	
A25	2202942	Channel—Glass Bottom	2	Used prior to Note 11 and see Special Note A— Page 292

**BODY — SIDE PANEL, ROOF AND FITTINGS — PASSENGER
(LIGHT BUS — CONTRACTORS BUS — STATION WAGON — CARAVAN)**

Plate Ref.	Part Number	DESCRIPTION	No. per Veh.	REMARKS
		CONTRACTORS BUS—continued		
		DOOR PANEL ASSEMBLY—continued		
	3055927	Channel Bottom—O.S. (R.H.)	1	} See Note 11 and Special Note A—Page 292
	3055928	Channel Bottom—N.S. (L.H.)	1	
A25/1	2202991	Weatherstrip—Glass Channel—Bottom	2	} Used prior to Chassis No. 1500/-/008434
A26	2203223 (2215723)	Weatherstrip—Waist Rail	2	
	P.43647	Clip	8	
	2216402	Seal—Waist Rail—O.S. (R.H.)	1	} Used on and after Chassis No. 1500/-/008434 and up to Chassis No. 1500/-/015897
	2216403	Seal—Waist Rail—N.S. (L.H.)	1	
	9130071	Clip	10	
	2215723 (2216402/3)	Weatherstrip—Waist Rail	2	} Used on and after Chassis No. 1500/-/015897 CKD 1500/-/72347
	9130071	Clip	10	
	2122054	Glass Stop Bracket Assembly	2	
	P.49120 (9119595)	Plug—Drain Hole	8	
	2202934	DRAUGHTLESS VENTILATOR ASSEMBLY—O.S. (R.H.)	1	
	2202935	Draughtless Ventilator Assembly—N.S. (L.H.)	1	
A27		Outer Frame		Not supplied
A28	2202936	Glass	2	
A29	H.100670	Glazing Strip	A/R	Order in feet
A30		Inner Frame		Not supplied
A31	5037562	Top Pivot Bracket—Outer—O.S. (R.H.)	1	
	5037563	Top Pivot Bracket—Outer—N.S. (L.H.)	1	
A32	5037564	Top Pivot Bracket—Inner—O.S. (R.H.)	1	
	5037565	Top Pivot Bracket—Inner—N.S. (L.H.)	1	
A33	5037561	Locking Plate	2	
A34	H.89382	Locking Handle—O.S. (R.H.)	1	
	H.92375	Locking Handle—N.S. (L.H.)	1	
A35	K.23791	Waved Washer	4	
A36	K.23792	Grooved Pin	2	
A37	2208516	Weatherstrip—O.S. (R.H.)	1	
	2208517	Weatherstrip—N.S. (L.H.)	1	
	39602061	Screw—No. 8 UNC. x 1/2"—Ventilator to Door	6	
A38	2121934	WINDOW REGULATOR ASSEMBLY—O.S. (R.H.)	1	} Used prior to Note 11 and see Special Note A—Page 292
	2121935	Window Regulator Assembly—N.S. (L.H.)	1	
	2223070	Window Regulator Assembly—O.S. (R.H.)	1	} See Note 11 and Special Note A—Page 292
	2223071	Window Regulator Assembly—N.S. (L.H.)	1	
	39304081	Screw—1/4" UNF. x 1/2" } Regulator	8	} to Door
	9664163	Washer—1/2" shakerproof }	8	
A39	2218559	WINDOW REGULATOR HANDLE ASSEMBLY	2	
A40	H.114165	Escutcheon	2	
A41	2203160	Pad—Escutcheon } Handle	2	} to Door
A42	H.108236	Cross Pin	2	
A43	9122188	Pad—Handle Pin }	2	
A44	5037588	LOCK ASSEMBLY—FRONT DOOR—O.S. (R.H.)	1	
	5037587	Lock Assembly—Front Door—N.S. (L.H.)	1	
A45	5037584	Link—Front Door—O.S. (R.H.)	1	} See Note 1—Page 291
	5037583	Link—Front Door—N.S. (L.H.)	1	
A46	5037590	Remote Control Assembly—Front Door—O.S. (R.H.)	1	
	5037589	Remote Control Assembly—Front Door—N.S. (L.H.)	1	

**BODY — SIDE PANEL, ROOF AND FITTINGS — PASSENGER
(LIGHT BUS — CONTRACTORS BUS — STATION WAGON — CARAVAN)**

Plate Ref.	Part Number	DESCRIPTION	No. per Veh.	REMARKS
		CONTRACTORS BUS—continued		
	5038177	Lock Assembly—Front Door—O.S. (R.H.)	1	} See Note 4— Page 291
	5038178	Lock Assembly—Front Door—N.S. (L.H.)	1	
	5038181	Link—Front Door—O.S. (R.H.)	1	
	5038182	Link—Front Door—N.S. (L.H.)	1	
	5038179	Remote Control Assembly—Front Door—O.S. (R.H.)	1	
	5038180	Remote Control Assembly—Front Door—N.S. (L.H.)	1	
	K.29918	Rivet	4	
	9075011	Waved Washer } Lock and Remote Control to Link	4	
	9071124	Shim	4	
	39303081	Screw—No. 10 UNF. × ½" } Lock and	12	
	9663122	Washer—½" shakeproof } Remote Control	12	
	9067010	Washer—½" plain	6	
	2203158	HANDLE ASSEMBLY—LOCKING—FRONT DOOR— OUTSIDE—O.S. (R.H.)	1	} When ordering always quote number stamped on lock
	H.115971	Cylinder Lock } F.P.	1	
	H.111745	Key ... } Series	2	
A47	2203159	Handle Assembly—Non-Locking—Front Door—Outside— N.S. (L.H.)	1	
A48	2218963	Attachment Plate	2	
A49	H.114768	Gasket	2	
	9663102	Washer—½" shakeproof } to Door	4	
	9550020	Nut—No. 8 UNC.	4	
A50	H.105472	HANDLE ASSEMBLY—FRONT DOOR—INSIDE	2	
A51	H.114165	Escutcheon—Handle to Door	2	
A52	2203160	Pad—Escutcheon	2	
A53	H.108236	Cross Pin	2	
A54	9122188	Pad—Handle Pin	2	
	2120620	REGULATOR ACCESS COVER PLATE—FRONT DOOR— O.S. (R.H.)	1	} Early Condition
	2120621	Regulator Access Cover Plate—Front Door—N.S. (L.H.)	1	
	9733106	Tapping Screw—No. 8 × ½"	18	
	9067007	Washer—½" plain	18	
	9020042	Spiral Nut	18	
A56	2121976	Trim Pad Retainer	2	
	9731063	Tapping Screw—No. 4 × ½"—Retainer to Door	12	
	2214658	ASH BOWL—RED—FRONT DOOR	2	
	9762086	Tapping Screw—No. 6 × ½"	6	
A57	2206222	LOOP—FRONT DOOR PULL	2	
A58	2206223	Plate—Door Pull Loop	2	
	9733086	Screw—No. 8 × ½"	4	
	39802081	Screw—No. 8 UNC. × ½" } Loop to ... Early Models	4	
		Door ... Late Models	4	
	H.118625	Pull—Door	2	} Late Condition
	2221746	Tapped Plate—Door Pull	2	
	39423122	Screw—Pull to Door	4	
	2223093	BADGE—FRONT DOOR	2	} 2900 Series
	9132944	Friction Bush	4	
	2121960	HINGE—UPPER—FRONT DOOR—O.S. (R.H.)	1	} See Note 7— Page 292
A59	2121961	Hinge—Upper—Front Door—N.S. (L.H.)	1	
	2121962	Hinge—Lower—Front Door—O.S. (R.H.)	1	
A60	2121963	Hinge—Lower—Front Door—N.S. (L.H.)	1	
	39215120	Screw—½" UNF. × ½"—Hinge to Door	14	
	39225144	Screw—½" UNF. × ½"—Hinge to "A" Post	12	

**BODY — SIDE PANEL, ROOF AND FITTINGS — PASSENGER
(LIGHT BUS — CONTRACTORS BUS — STATION WAGON — CARAVAN)**

Plate Ref.	Part Number	DESCRIPTION	No. per Veh.	REMARKS
		CONTRACTORS BUS—continued		
	2224042	Hinge—Upper—Front Door—O.S. (R.H.)	1	} See Note 8—Page 292
	2224043	Hinge—Upper—Front Door—N.S. (L.H.)	1	
	2224044	Hinge—Lower—Front Door—O.S. (R.H.)	1	
	2224045	Hinge—Lower—Front Door—N.S. (L.H.)	1	
	39215120	Screw— $\frac{1}{8}$ " UNF. \times 1"—Hinge to Door	14	
	39225184	Screw— $\frac{1}{8}$ " UNF. \times 1 $\frac{1}{2}$ "—Hinge to "A" Post	12	
	39205064	Screw— $\frac{1}{8}$ " UNF. \times 1"—Hinge to Support Plate	4	
A61	2120678	Hinge Cover Plate—Upper—O.S. (R.H.)	1	
	2120679	Hinge Cover Plate—Upper—N.S. (L.H.)	1	
	2120680	Hinge Cover Plate—Lower—O.S. (R.H.)	1	
A62	2120681	Hinge Cover Plate—Lower—N.S. (L.H.)	1	
	9732086	Tapping Screw—No. 6 \times 1"—Cover Plate to "A" Post	16	
A63	2121998 (2225092)	CHECK ARM ASSEMBLY—FRONT DOOR	2	
	2225092	Check Arm Assembly—Front Door	2	
	H.116241	Rivet—Check Arm to Door	2	
A64	2120770	Bracket—Check Arm	2	
	19505052	Screw— $\frac{1}{8}$ " UNF. \times $\frac{1}{2}$ " } Bracket	4	
	9664203	Washer— $\frac{1}{8}$ " shakeproof } to Body	4	
	H.114708	STRIKER—FRONT DOOR LOCK—O.S. (R.H.)	1	} See Note 1—Page 291
	H.114709	Striker—Front Door Lock—N.S. (L.H.)	1	
	2121922	Striker—Front Door Lock—O.S. (R.H.)	1	} See Note 2—Page 291
A65	2121923	Striker—Front Door Lock—N.S. (L.H.)	1	
	2218552	Washer—Packing—Striker Door Lock	A/R	
	39104081	Screw— $\frac{1}{4}$ " UNF. \times 1"—Striker to Body	6	
	2202950	WEATHERSTRIP — FRONT DOOR APERTURE — O.S. (R.H.)	1	
A66	2202950	Weatherstrip—Front Door Aperture—N.S. (L.H.)	1	
	P.49288	Clip—Weatherstrip	60	
A67	2205131 (5200520)	GRAB HANDLE—"A" POST	2	
	39313101	Screw—No. 10 UNF. \times $\frac{1}{2}$ " } Grab Handle	4	
A68	2120537	Washer— $\frac{1}{8}$ " shakeproof } to "A" Post	4	
A68	2120537	"B"—"C" POST PANEL—N.S. (L.H.)—R.H.D.	1	
	2120536	"B"—"C" Post Panel—O.S. (R.H.)—L.H.D.	1	
A69	2122056	POST ASSEMBLY—SIDE DOOR—STRIKER—R.H.D.	1	} Early Condition Late Condition
	2225634	Post Assembly—Side Door—Striker—R.H.D.	1	
A70	2122061	Post Assembly—Side Door—Hinged—R.H.D.	1	
A71	2122099	Check Arm Bracket Assembly—R.H.D.	1	} Order in Pairs
	2122098	Check Arm Bracket Assembly—L.H.D.	1	
A72	2120784	Bracket—Upper Hinge—R.H.D.	1	
A73	2120630	Bracket—Lower Hinge—R.H.D.	1	
	2122057	Post Assembly—Side Door—Striker—L.H.D.	1	} Early Condition Late Condition
	2225633	Post Assembly—Side Door—Striker—L.H.D.	1	
	2122060	Post Assembly—Side Door—Hinged—L.H.D.	1	
	2122099	Check Arm Bracket Assembly—L.H.D.	1	} Order in Pairs
	2122098	Check Arm Bracket Assembly—R.H.D.	1	
	2120785	Bracket—Upper Hinge—L.H.D.	1	
	2120631	Bracket—Lower Hinge—L.H.D.	1	
	2122086	Finisher Panel Assembly—"C" Post—R.H.D.	1	
A74	2122085	Finisher Panel Assembly—"C" Post—L.H.D.	1	
	39313061	Screw—No. 10 UNF. \times 1" } Blanking Hole	2	
	9663123	Washer— $\frac{1}{8}$ " shakeproof } "C" Post Finisher	2	
	2122085	Finisher Panel Assembly—"D" Post—R.H.D.	1	} Early Condition
	2122086	Finisher Panel Assembly—"D" Post—L.H.D.	1	
	2228065	Finisher Panel Assembly—"D" Post—R.H.D.	1	} Late Condition
	2228064	Finisher Panel Assembly—"D" Post—L.H.D.	1	

**BODY — SIDE PANEL, ROOF AND FITTINGS — PASSENGER
(LIGHT BUS — CONTRACTORS BUS — STATION WAGON — CARAVAN)**

Plate Ref.	Part Number	DESCRIPTION	No. per Veh.	REMARKS	
		CONTRACTORS BUS—continued			
A75	2120700	CANTRAIL—SIDE DOOR	1		
A76	2120778	Cantrail Closing Panel	1	Early Condition	
	2216549	Seal—Cantrail—Side Door	1		
A77	2121914	Drip Moulding—Side Door	1		
A78	2121995	Finisher Strip—Top—Side Door	1		
A79	2121945	Finisher Strip—"C" Post—R.H.D.	1	} Used prior to Chassis No.— See Note 9—Page 292	
	2121944	Finisher Strip—"C" Post—L.H.D.	1		
A80	2121944	Finisher Strip—"D" Post—R.H.D.	1		
	2121945	Finisher Strip—"D" Post—L.H.D.	1		
	2228079	Finisher Strip—Upper } "C" Post—R.H.D.	1	} Used on & after Chassis No. —See Note 10—Page 292	
	2228081	Finisher Strip—Lower }	1		
	2228078	Finisher Strip—Upper } "D" Post—R.H.D.	1		
	2228080	Finisher Strip—Lower }	1		
	2228078	Finisher Strip—Upper } "D" Post—R.H.D.	1	} Used on & after Chassis No. —See Note 10—Page 292	
	2228080	Finisher Strip—Lower }	1		
	2228079	Finisher Strip—Upper } "D" Post—L.H.D.	1		
	2228081	Finisher Strip—Lower }	1		
A81	2204514	TREAD PLATE—SILL—SIDE DOOR	1		
	9763085	Tapping Screw—No. 8 × 1"—Tread Plate	4		
A82	2204973 (2228095)	DOOR PANEL ASSEMBLY—SIDE—N.S. (L.H.)—R.H.D.	1	} See Note 9—Page 292	
	2204972 (2228094)	Door Panel Assembly—Side—O.S. (R.H.)—L.H.D.	1		
	2228095	Door Panel Assembly—Side—N.S. (L.H.)—R.H.D.	1	} See Note 10—Page 292	
	2228094	Door Panel Assembly—Side—O.S. (R.H.)—L.H.D.	1		
A83	2203342	Glass—Side Door	1	} Home—Standard Early Condition	
A84	2203343	Weatherstrip—Side Door Glass	1		
	2206781 (2216989)	WINDOW ASSEMBLY—SLIDING—SIDE DOOR—N.S. (L.H.)—R.H.D.	1	} Export—Standard ; Home—Special Order only Intermediate Condition	
	2206780 (2216988)	Window Assembly—Sliding—Side Door—O.S. (R.H.)—L.H.D.	1		
	2206782	Glass—Sliding	1		
	2206783	Glass—Fixed	1		
	2208573	Catch Assembly—N.S. (L.H.)—R.H.D.	1		
	2208572	Catch Assembly—O.S. (R.H.)—L.H.D.	1		
	39601041	Screw—No. 6 UNC. × 1"—Catch to Frame	2		
	2203262	Striking Plate	1		
	2206784	Filler Strip—Rubber	1		
	2203294	Channel Seal—Rubber	1		
	2203291	Spring—Channel	1		
	2206388	Backing Plate	2		
	39001031	Screw—4 BA × 3/8"—Backing Plate	8		
	2208148	Weatherstrip—Sliding Window—Side Door	1		
	2216989	WINDOW ASSEMBLY—SLIDING—SIDE DOOR—N.S. (L.H.)—R.H.D.	1		} Export Standard ; Home—Special Order only Late Condition
	2216988	Window Assembly—Sliding—Side Door—O.S. (R.H.)—L.H.D.	1		
	2216999	Glass—Sliding	1		} Export Standard ; Home—Special Order only Late Condition
	2206783	Glass—Fixed	1		
	2216993	Catch Assembly	1		
	39001064	Screw—4 BA × 1"—Finger Pull to Running Channel	2		
	2216998	Finger Pull	1		
	2206784	Filler—Strip—Rubber	1		
	2203294	Channel Seal—Rubber	1		
	2203291	Spring—Channel	1		

**BODY — SIDE PANEL, ROOF AND FITTINGS — PASSENGER
(LIGHT BUS — CONTRACTORS BUS — STATION WAGON — CARAVAN)**

Plate Ref.	Part No.	DESCRIPTION	No. per Veh.	REMARKS
		CONTRACTORS BUS—continued		
	2206388	Backing Plate	2	Expert Standard: Home—Special Order only Late Condition
	39001031	Screw—4 BA. $\times \frac{1}{8}$ "—Backing Plate	8	
	2208148	Weatherstrip—Sliding Window—Side Door	1	
A85	5037587	LOCK ASSEMBLY—SIDE DOOR—N.S. (L.H.)—R.H.D. ...	1	See Note 3— Page 291
	5037588	Lock Assembly—Side Door—O.S. (R.H.)—L.H.D. ...	1	
	5037585	Link—Side Door—N.S. (L.H.)—R.H.D.	1	
	5037586	Link—Side Door—O.S. (R.H.)—L.H.D.	1	
	5037589	Remote Control Assembly—Side Door—N.S. (L.H.)—R.H.D.	1	
	5037590	Remote Control Assembly—Side Door—O.S. (R.H.)—L.H.D.	1	
	5038178	Lock Assembly—Side Door—N.S. (L.H.)—R.H.D. ...	1	See Note 4— See Page 291
	5038177	Lock Assembly—Side Door—O.S. (R.H.)—L.H.D. ...	1	
	5038183	Link—Side Door—N.S. (L.H.)—R.H.D.	1	
	5038184	Link—Side Door—O.S. (R.H.)—L.H.D.	1	
	5038180	Remote Control Assembly—Side Door—N.S. (L.H.)—R.H.D.	1	
	5038179	Remote Control Assembly—Side Door—O.S. (R.H.)—L.H.D.	1	
	K.25918	Rivet	2	
	9075011	Waved Washer } Lock and Remote Control to Link ...	2	
	9071124	Shim	2	
	2122068	Remote Control Bracket Assembly—Side Door—N.S. (L.H.)— R.H.D.	1	
	2122069	Remote Control Bracket Assembly—Side Door—O.S. (R.H.) L.H.D.	1	
	39303081	Screw—No. 10 UNF. $\times \frac{1}{4}$ " } Lock and Remote	6	
	9664122	Washer— $\frac{1}{8}$ " shakeproof } Control to Side Door	6	
	9067010	Washer— $\frac{1}{8}$ " plain	3	
	39304081	Screw— $\frac{1}{4}$ " UNF. $\times \frac{1}{4}$ " } Remote Control	6	
	9664163	Washer— $\frac{1}{4}$ " shakeproof } Bracket to	6	
	9067017	Washer— $\frac{1}{4}$ " plain	3	
A88	2203159	HANDLE ASSEMBLY—SIDE DOOR—OUTSIDE ...	1	
A89	2218963	Attachment Plate	1	
A90	H.114768	Gasket	1	
	9663102	Washer— $\frac{1}{8}$ " shakeproof } Side Door Handle ...	2	
	9550020	Nut—No. 8 UNC.	2	
A91	H.105472	HANDLE ASSEMBLY—SIDE DOOR—INSIDE ...	1	
A92	H.114165	Escutcheon	1	
A93	2203160	Pad—Escutcheon } Handle	1	
A94	H.108236	Cross Pin	1	
A95	9122188	Rubber Pad	1	
	2120721	REMOTE CONTROL ACCESS COVER PLATE—SIDE DOOR	3	
	9733089	Tapping Screw—No. 8 $\times \frac{1}{4}$ " } Cover Plate	12	
	9020042	Spire Nut	12	
A97	2121976	Trim Pad Retainer—Side Door	1	
	9731063	Tapping Screw—No. 4 $\times \frac{1}{4}$ "—Retainer to Door ...	6	
	2206222	LOOP—SIDE DOOR PULL	1	Early Condition
	2206223	Plate—Door Pull Loop	1	
	39802081	Screw—No. 8 UNC. $\times \frac{1}{4}$ "—Loop to Door	2	
	H.118625	Pull—Door	1	Late Condition
	2221746	Tapped Plate—Door Pull	1	
	39423122	Screw—Pull to Door	2	
	2214658	ASH BOWL—RED—SIDE DOOR	1	
	9762086	Tapping Screw—No. 6 $\times \frac{1}{4}$ "	3	
A98	2122049	HINGE—UPPER—SIDE DOOR—N.S. (L.H.)—R.H.D. ...	1	
A99	2122047	Hinge—Lower—Side Door—N.S. (L.H.)—R.H.D. ...	1	

**BODY — SIDE PANEL, ROOF AND FITTINGS — PASSENGER
(LIGHT BUS — CONTRACTORS BUS — STATION WAGON — CARAVAN)**

Plate Ref.	Part Number	DESCRIPTION	No. per Veh.	REMARKS	
		CONTRACTORS BUS—continued			
	2122046	Hinge—Lower—Side Door—O.S. (R.H.)—L.H.D.	1		
	19105229	Bolt— $\frac{3}{8}$ " UNF. \times $2\frac{1}{2}$ "	2		
	19105139	Bolt— $\frac{3}{8}$ " UNF. \times $1\frac{1}{2}$ " } Hinge to	2		
	9510051	Nut— $\frac{3}{8}$ " UNF. ... } Door	4		
	9664203	Washer—shakeproof	4		
	39305104	Screw— $\frac{3}{8}$ " UNF. \times $\frac{1}{2}$ " } Hinge to	7		
	9664203	Washer— $\frac{3}{8}$ " shakeproof } Body	7		
	2214788	Seal—Rubber—Side Door Hinge	2		
	2214787	Retainer—Seal	2		
	9722065	Tapping Screw—Retainer—No. 6 \times $\frac{1}{4}$ "	4		
A100	2121994	CHECK ARM ASSEMBLY—SIDE DOOR	1		
	H.116241	Rivet—Check Arm to Body	1		
	H.114709	STRIKER—SIDE DOOR LOCK—N.S. (L.H.)—R.H.D.	1	} See Note 1—Page 291	
	H.114708	Striker—Side Door Lock—O.S. (R.H.)—L.H.D.	1		
A101	2121923	Striker—Side Door Lock—N.S. (L.H.)—R.H.D.	1	} See Note 2—Page 291	
	2121922	Striker—Side Door Lock—O.S. (R.H.)—L.H.D.	1		
	2218552	Washer—Packing—Striker—Door Lock	A/R		
	39104081	Screw— $\frac{1}{2}$ " UNF. \times $\frac{1}{2}$ "—Striker to Body	3		
A102	2203241	WEATHERSTRIP—SIDE DOOR	1		
A103	2203131	Grab Handle—"D" Post	1		
	39313101	Screw—No. 10 UNF. \times $\frac{1}{2}$ " } Grab Handle	2		
	9663123	Washer— $\frac{3}{8}$ " shakeproof } to "D" Post	2		
A104	2203342	WINDOW GLASS—SIDE—FRONT	1	} Home—Standard Early Condition	
A105	2203343	Weatherstrip—Glass—Side—Front	1		
	2206780 (2216988)	WINDOW ASSEMBLY — SLIDING — SIDE — FRONT — O.S. (R.H.)—R.H.D.	1	} Export—Standard ; Home—Special Order only Intermediate Condition	
	2206781 (2216989)	Window Assembly — Sliding — Side — Front — N.S. (L.H.) —L.H.D.	1		
	2206782	Glass—Sliding	1		
	2206783	Glass—Fixed	1		
	2208572	Catch Assembly—O.S. (R.H.)—R.H.D.	1		
	2208573	Catch Assembly—N.S. (L.H.)—L.H.D.	1		
	39601041	Screw—No. 6 UNC. \times $\frac{1}{2}$ "—Catch to Frame	2		
	2203262	Striking Plate	1		
	2206784	Filler Strip—Rubber	1		
	2203294	Channel Seal—Rubber	1		
	2203291	Spring—Channel	1		
	2206388	Backing Plate	4		
	39001031	Screw—4 BA. \times $\frac{3}{8}$ "—Backing Plate	8		
	2208148	Weatherstrip—Sliding Window—Side—Front	1		
	2216988	WINDOW ASSEMBLY — SLIDING — SIDE — FRONT — O.S. (R.H.)—R.H.D.	1		} Export—Standard ; Home—Special Order only Late Condition
	2216989	Window Assembly — Sliding — Side — Front — N.S. (L.H.)— L.H.D.	1		
	2216999	Glass—Sliding	1		
	2206783	Glass—Fixed	1		
	2216993	Catch Assembly	1		
	39001064	Screw—4 BA. \times $\frac{1}{2}$ "—Finger Pull to Running Channel	2		
	2216998	Finger Pull	1		
	2206784	Filler Strip—Rubber	1		
	2203294	Channel Seal—Rubber	1		
	2203291	Spring—Channel	1		
	2206388	Backing Plate	2		
	39001031	Screw—4 BA. \times $\frac{3}{8}$ "—Backing Plate	8		
	2208148	Weatherstrip—Sliding Window—Side—Front	1		

**BODY — SIDE PANEL, ROOF AND FITTINGS — PASSENGER
(LIGHT BUS — CONTRACTORS BUS — STATION WAGON — CARAVAN)**

Plate Ref.	Part Number	DESCRIPTION	No. per Veh.	REMARKS	
		CONTRACTORS BUS—continued			
	2203300 (2217540)	WINDOW ASSEMBLY—SLIDING—INTERMEDIATE—O.S. (R.H.)	1	} Early Models	
A106	2203301 (2217541)	Window Assembly—Sliding—Intermediate—N.S. (L.H.)	1		
A107	2203197	Glass—Sliding	2		
A108	2203306	Glass—Fixed	2		
	2203572	Catch Assembly—O.S. (R.H.)	1		
A109	2203573	Catch Assembly—N.S. (L.H.)	1		
	3901041	Screw—No. 6 UNC. × 1" — Catch to Frame	4		
A110	2203262	Striking Plate	2		
	2203295	Filler Strip—Rubber	2		
	2203294	Channel Seal—Rubber	2		
	2203291	Spring—Channel	2		
	2206388	Backing Plate	4		
	3901031	Screw—4 BA × 3/4" — Backing Plate	16		
A111	2203297	Weatherstrip—Sliding Window—Intermediate	2		
	2217542 (2217540)	WINDOW ASSEMBLY—SLIDING—INTERMEDIATE—O.S. (R.H.)	1		} Late Models
	2217543 (2217541)	Window Assembly—Sliding—Intermediate—N.S. (L.H.)	1		
	2217548	Glass—Sliding	2		
	2203306	Glass—Fixed	2		
	2216993	Catch Assembly	2		
	3901064	Screw—4 BA × 1" — Finger Pull to Running Channel	4		
	2216998	Finger Pull	2		
	2206784	Filler Strip—Rubber	2		
	2203294	Channel Seal—Rubber	2		
	2203291	Spring Channel	2		
	2206388	Backing Plate	4		
	3901031	Screw—4 BA × 3/4" — Backing Plate	16		
	2208148	Weatherstrip—Sliding Window—Intermediate	2		
	2203318	WINDOW GLASS—SIDE—REAR—O.S. (R.H.)	1		
A112	2203319	Window Glass—Side—Rear—N.S. (L.H.)	1		
	2203320	Weatherstrip—Glass—Side—Rear—O.S. (R.H.)	1		
A113	2203321	Weatherstrip—Glass—Side—Rear—N.S. (L.H.)	1		
A114	2120740	FINISHER PANEL—FRONT	2	} Early Condition	
A115	2120708	Finisher Panel—Window—Front	1		
A116	2120703	Finisher Panel—Window—Centre	2		
	2228060	Finisher Panel—Front—R.H.D.	1	} Late Condition	
	2228061	Finisher Panel—Front—L.H.D.	1		
	2228051	Finisher Panel—Window—Centre	2		
A117	2120706	Finisher Panel—Window—Intermediate—Rear—O.S. (R.H.)	1	} Early Condition	
	2120707	Finisher Panel—Window—Intermediate—Rear—N.S. (L.H.)	1		
	2228058	Finisher Panel—Window—Intermediate—Rear—O.S. (R.H.)	1	} Late Condition	
	2228059	Finisher Panel—Window—Intermediate—Rear—N.S. (L.H.)	1		
A118	2120710	Finisher Panel—Window—Rear Corner—O.S. (R.H.)	1		
	2120711	Finisher Panel—Window—Rear Corner—N.S. (L.H.)	1		
	9732086	Tapping Screw—No. 6 × 1/2" — Finisher to Rear Pillar	12		
A119	2204590	PANEL—INTERIOR—REAR CORNER—O.S. (R.H.)	1		
	2204591	Panel—Interior—Rear Corner—N.S. (L.H.)	1		
	9774126	Tapping Screw—No. 10 × 1" — Rear Corner	16		
	9067094	Washer—3/8" plain } Panel—Interior	16		
A120	2206406	PANEL COVER—REAR LAMP—O.S. (R.H.)	1		
	2206407	Panel Cover—Rear Lamp—N.S. (L.H.)	1		
	9020036	Spre Nut } Rear Lamp	12		
	9732943	Tapping Screw—No. 6 × 1/2" — Cover Panel	12		

**BODY — SIDE PANEL, ROOF AND FITTINGS — PASSENGER
(LIGHT BUS — CONTRACTORS BUS — STATION WAGON — CARAVAN)**

Plate Ref.	Part Number	DESCRIPTION	No. per Veh.	REMARKS
		CONTRACTORS BUS—continued		
A121	2122096	SEAT FIXING RAIL ASSEMBLY—LONG—O.S. (R.H.)—R.H.D.	1	} Early Condition
	2122095	Seat Fixing Rail Assembly—Short—N.S. (L.H.)—R.H.D.	1	
	2122094	Seat Fixing Rail Assembly—Short—O.S. (R.H.)—L.H.D.	1	
	2122097	Seat Fixing Rail Assembly—Long—N.S. (L.H.)—L.H.D.	1	
	2225052	Seat Fixing Rail Assembly—Long—O.S. (R.H.)—R.H.D.	1	} Late Condition
	2225051	Seat Fixing Rail Assembly—Short—N.S. (L.H.)—R.H.D.	1	
	2225050	Seat Fixing Rail Assembly—Short—O.S. (R.H.)—L.H.D.	1	
	2225053	Seat Fixing Rail Assembly—Long—N.S. (L.H.)—L.H.D.	1	
	19504052	Screw— $\frac{1}{2}$ " UNF. \times $\frac{1}{4}$ "	6	} Rail—Rear End to Wheel Arch
	9067097	Washer— $\frac{1}{2}$ " plain	6	
	9664163	Washer— $\frac{1}{2}$ " shakeproof	6	
A122	2206719 (2228024)	TRIM PAD—RED—"B"—"C" POST	1	
A123	2206706 (2228066)	Trim Pad—Red—Front—Side Panel—O.S. (R.H.)—R.H.D.	1	
	2206707 (2228067)	Trim Pad—Red—Front—Side Panel—N.S. (L.H.)—L.H.D.	1	
A124	2206466 (2228068)	Trim Pad—Red—Centre—Side Panel—O.S. (R.H.)—R.H.D.	1	
	2206467 (2228069)	Trim Pad—Red—Centre—Side Panel—N.S. (L.H.)—L.H.D.	1	
	2206721 (2228071)	Trim Pad—Red—Centre—Side Panel—N.S. (L.H.)—R.H.D.	1	
	2206720 (2228070)	Trim Pad—Red—Centre—Side Panel—O.S. (R.H.)—L.H.D.	1	
A125	2206468 (2228018)	Trim Pad—Red—Rear—Side Panel—O.S. (R.H.)	1	
	2206469 (2228019)	Trim Pad—Red—Rear—Side Panel—N.S. (L.H.)	1	
	2228024	Trim Pad—Red—"B"—"C" Post	1	
	2228066	Trim Pad—Red—Front—Side Panel—O.S. (R.H.)—R.H.D.	1	
	2228067	Trim Pad—Red—Front—Side Panel—N.S. (L.H.)—L.H.D.	1	
	2228068	Trim Pad—Red—Centre—Side Panel—O.S. (R.H.)—R.H.D.	1	
	2228069	Trim Pad—Red—Centre—Side Panel—N.S. (L.H.)—L.H.D.	1	
	2228071	Trim Pad—Red—Centre—Side Panel—N.S. (L.H.)—R.H.D.	1	
	2228070	Trim Pad—Red—Centre—Side Panel—O.S. (R.H.)—L.H.D.	1	
	2228018	Trim Pad—Red—Rear—Side Panel—O.S. (R.H.)	1	
	2228019	Trim Pad—Red—Rear—Side Panel—N.S. (L.H.)	1	
	9131013	Clip—Trim Pad to Side Panel	47	
	9762065	Tapping Screw—No. 6 \times $\frac{1}{2}$ "	8	} Trim Pad to Side Panel
	9070613	Cup Washer—No. 6	8	
A126	2121977	Trim Pad Retainer—Long—O.S. (R.H.)—R.H.D.	1	
	2121978	Trim Pad Retainer—Short—N.S. (L.H.)—R.H.D.	1	
	2121978	Trim Pad Retainer—Short—O.S. (R.H.)—L.H.D.	1	
	2121977	Trim Pad Retainer—Long—N.S. (L.H.)—L.H.D.	1	
A127	2120723	Trim Pad Channel Support—Wheel Arch	2	
A128	2120655	Trim Pad Channel Support—Side	3	
	19504052	Screw— $\frac{1}{2}$ " UNF. \times $\frac{1}{4}$ "	2	} Seat Fixing Rail Channel Support to Trim Pad
	9664163	Washer— $\frac{1}{2}$ " Internal	2	
A130	5037591	MIRROR—EXTERIOR	2	
	2216970	Mirror Assembly—Exterior—R.H.	1	} N. America Used on and after Chassis No. 1500/015543
	2216971	Mirror Assembly—Exterior—L.H.	1	
	5037596	Nut—Mirror Head Fixing	2	
	5038034	Mirror Arm—O.S. (R.H.)	1	
A131	5038035	Mirror Arm—N.S. (L.H.)	1	
A132	9022035	Nut—Domed	2	
A133	5037593	Clamp	2	} Mirror Arm Fixing
	5037597	Sleeve	2	
A134	2203364	Bracket	2	
A135	2203234	Bolt	2	
	39111101	Screw—No. 10 UNF. \times $\frac{1}{2}$ "	4	} Mirror to Door
	9663123	Washer— $\frac{1}{8}$ " shakeproof	4	

**BODY — SIDE PANEL, ROOF AND FITTINGS — PASSENGER
(LIGHT BUS — CONTRACTORS BUS — STATION WAGON — CARAVAN)**

Plate Ref.	Part Number	DESCRIPTION	No. per Veh.	REMARKS
		CONTRACTORS BUS—continued		
A136	2120500	ROOF PANEL—FRONT	1	
A137	2120501	Roof Panel—Rear	1	
	2120624	Roof Swage Support Bracket	6	
	2120729	Roof Lamp Bracket	4	
A138	2203974	VENTILATOR—ROOF	1	
A139	2203345	Frame Assembly—Ventilator	1	
	2215551	Collar—Ventilator	1	} Required only with Tropical Roof Insulation
	19503042	Screw—No. 10 UNF. $\times \frac{1}{2}$ "	10	
	9660123	Washer— $\frac{1}{8}$ " spring	10	} Frame to Roof
	9067095	Washer— $\frac{1}{8}$ " plain	10	
A140	2203461	Mesh—Ventilator	1	} See Note 5—Page 291
A141	P.86026	Surround—Mesh	A/R	
	2219120	Board Ventilator	1	} See Note 6—Page 292
	9762086	Tapping Screw—No. 6 $\times \frac{1}{2}$ "	8	
	9020036	Spire Nut	8	
	9772085	Tapping Screw—No. 6 $\times \frac{1}{2}$ "	8	} Finisher
	9067120	Washer— $\frac{1}{8}$ " plain	8	
A142	2121980	Headlining Retainer—Side	2	} Strip
		Headlining Retainer—Rear		
	9732086	Tapping Screw—No. 6 $\times \frac{1}{2}$ "—Retainer to Body	42	} See Rear End
	2214501	VENTILATOR—ROOF	1	
	2214503	Gauge	1	} Required only with Tropical Roof
	2214502	Collar	1	
	2214504	Grille	1	} Insulation
	9773086	Tapping Screw—No. 8 $\times \frac{1}{2}$ "	4	
	2215552	Reinforcing Ring—Not required with Tropical Insulation	1	} Alternative to Part No. 2203974 Ventilator and fittings. Special Order only
	19503042	Screw—No. 10 UNF. $\times \frac{1}{2}$ "	4	
	9510031	Nut—No. 10 UNF.	4	} Ventilator to Roof
	9663123	Washer— $\frac{1}{8}$ " shakeproof	4	
		Insulation—Roof—Bitumen Impregnated Rag Felt		} Not supplied
		Staple		
		Insulation Pad—Roof—Isoflex		} Alternative to Standard items when Tropical Insulation fitted. Special Order only
	2215553	Listing Rail—No. 1—Green	1	
	2215554	Listing Rail—Nos. 2, 3, 4 and 5—Yellow	4	} Not supplied
	2215555	Listing Rail—No. 6—Black	1	
	2215556	Listing Rail—No. 7—Blue	1	
	2215557	Listing Rail—No. 8—Red	1	
		Fixing Lug—Listing Rail		
		Note 1. Part Nos. H.114708/9 Striker Plates have Triangular Striker Projections.		
		Note 2. Part Nos. 2121922/3 Striker Plates have Radiused Striker Projections.		
		Note 3. Fitted to Vehicles with Part Nos. H.114708/9 Striker (Triangular Striker Projections).		
		Note 4. Fitted to Vehicles with Part Nos. 2121922/3 Striker (Radiused Striker Projections). CHECK TYPE BEFORE ORDERING.		
		Note 5. Used prior to Chassis Nos. Listed in Note 6.		

**BODY — SIDE PANEL, ROOF AND FITTINGS — PASSENGER
(LIGHT BUS — CONTRACTORS BUS — STATION WAGON — CARAVAN)**

Plate Ref.	Part Number	DESCRIPTION	No. per Veh.	REMARKS
		<p>CONTRACTORS BUS—continued</p> <p>Note 6. Used on and after Chassis Nos.—1500/-/217874; CKD Chassis Nos.—1500/-/272515.</p> <p>Note 7. Used prior to Chassis Nos. Listed in Note 8.</p> <p>Note 8. Used on and after Chassis Nos. 1500/-/227560—227562/7—227569/80—227599/806—227609/18—227620/5—227627/57—227660/2—227664/83—227685 onwards. CKD—1500/-/275749.</p> <p>Note 9. Used prior to Chassis Nos. Listed in Note 10.</p> <p>Note 10. Introduction of Reinforced 3rd Door (Side Door) giving improved rigidity; used on and after Chassis Nos. 1500/-/227357/84—227386/9—227391/5—227397/8—227400—227404/6—227408/13—227415/8—227420/2—227424/8—227430/2—227434/48—227450/6—227458/70—227472/517—227519/650—227652/7—227660/71—227673/7—227679/702—227704/14—227716/59—227762/80—227782/4—227787/9—227799/811—227813/4—227816/25—227827/38—227840—227842/64—227866—227868/73—227875/80—227882—227884—227886—227888—227890—227894/946—227948/50—227952/3—227956/8—227960/86—227987/228014—228016/7—228019/21—228025—228028 onwards. CKD—1500/-/275659/88—275701/66—275785/802—275809/26—275833/62—275869/74—275881/98—275905/10—275914/46—275953/8—275965 onwards.</p> <p>Note 11. Used on and after Chassis No. 1500/-/233842—CKD 1500/-/277909.</p> <p>Special Note A. Introduction of design change to the Front Doors to accommodate the new Window Regulators and Channel Bottoms. The new Regulators with larger clutch cannot be fitted to the old Door Assembly but the old type Regulator can be fitted to the new Door Assembly.</p>		

**BODY — SIDE PANEL, ROOF AND FITTINGS — PASSENGER
(LIGHT BUS — CONTRACTORS BUS — STATION WAGON — CARAVAN)**

Plate Ref.	Part Number	DESCRIPTION	No. per Veh.	REMARKS
		STATION WAGON		
A1	2120540	BODY SIDE PANEL—O.S. (R.H.)	1	} R.H.D.
A2	2122196	Rear Wheel Arch Extension Panel Assembly—O.S. (R.H.) ...	1	
	2218738	Rear Wheel Arch Panel Closing Assembly—O.S. (R.H.) ...	1	
	2222818	Rear Wheel Arch Panel Closing Assembly—O.S. (R.H.) ...	1	
A3	2122192	Seat Fixing Rail to Wheel Arch Bracket Assembly ...	1	
A4	2120543	Body Side Panel—N.S. (L.H.)	1	
	2122197	Rear Wheel Arch Extension Panel Assembly—N.S. (L.H.) ...	1	
	2218739	Rear Wheel Arch Panel Closing Assembly—N.S. (L.H.) ...	1	
	2222819	Rear Wheel Arch Panel Closing Assembly—N.S. (L.H.) ...	1	
	2122193	Seat Fixing Rail to Wheel Arch Bracket Assembly ...	1	
	2120542	Body Side Panel—O.S. (R.H.)	1	} L.H.D.
A2	2122196	Rear Wheel Arch Extension Panel Assembly—O.S. (R.H.) ...	1	
	2218738	Rear Wheel Arch Panel Closing Assembly—O.S. (R.H.) ...	1	
	2222818	Rear Wheel Arch Panel Closing Assembly—O.S. (R.H.) ...	1	
	2122192	Seat Fixing Rail to Wheel Arch Bracket Assembly ...	1	
	2120541	Body Side Panel—N.S. (L.H.)	1	
	2122197	Rear Wheel Arch Extension Panel Assembly—N.S. (L.H.) ...	1	
	2218739	Rear Wheel Arch Panel Closing Assembly—N.S. (L.H.) ...	1	
	2222819	Rear Wheel Arch Panel Closing Assembly—N.S. (L.H.) ...	1	
	2122193	Seat Fixing Rail to Wheel Arch Bracket Assembly ...	1	
A5		Gusset—Rear Door Aperture—O.S. (R.H.)		} Not supplied
		Gusset—Rear Door Aperture—N.S. (L.H.)		
	2211434	Reinforcement—Waist Rail—Long	1	} Export
	2211430	Reinforcement—Waist Rail Extension—Long—O.S. (R.H.)— R.H.D.	1	
	2211431	Reinforcement—Waist Rail Extension—Long—N.S. (L.H.) L.H.D.	1	
	2211432	Reinforcement—Waist Rail—Short—O.S. (R.H.)—L.H.D. ...	1	
	2211433	Reinforcement—Waist Rail—Short—N.S. (L.H.)—R.H.D. ...	1	
	2228026	Vertical Stiffener Assembly—Front	2	} Late Condition
	2228033	Vertical Stiffener Assembly—Rear	2	
	2224026	Gusset—"D" Post Waist Finisher	2	
	2224029	Gusset—"D" Post—Bottom—Finisher—R.H.D.	1	
	2224028	Gusset—"D" Post—Bottom—Finisher—L.H.D.	1	
A6	2121910	DRIP MOULDING—SIDE—O.S. (R.H.)—R.H.D.	1	
	2121913	Drip Moulding—Side—N.S. (L.H.)—R.H.D.	1	
	2121912	Drip Moulding—Side—O.S. (R.H.)—L.H.D.	1	
	2121911	Drip Moulding—Side—N.S. (L.H.)—L.H.D.	1	
A7	2120594	REAR CORNER PANEL—UPPER—O.S. (R.H.)	1	} Late Condition
	2120595	Rear Corner Panel—Upper—N.S. (L.H.)	1	
A8	2120508	Rear Corner Panel—Lower—O.S. (R.H.)	1	
	2120509	Rear Corner Panel—Lower—N.S. (L.H.)	1	
	2224034	Gusset—Top—Rear Corner Panel	2	
	2224035	Gusset—Bottom—Rear Corner Panel	2	
	2225048	Plug Button—Rear Corner Panel—Lower	2	
	2122174 (2216368)	"A" POST PANEL ASSEMBLY—O.S. (R.H.)	1	
	2216368 (2225628)	"A" Post Panel Assembly—O.S. (R.H.)	1	
	2225628	"A" Post Panel Assembly—O.S. (R.H.)	1	
	2121932	Drip Moulding—"A" Post—Upper—O.S. (R.H.)	1	
	2120732 (2216364)	Drip Moulding—"A" Post—Lower—O.S. (R.H.)	1	
	2216364	Drip Moulding—"A" Post—Lower—O.S. (R.H.)	1	
A9	2122175 (2216369)	"A" Post Panel Assembly—N.S. (L.H.)	1	
	2216369 (2225629)	"A" Post Panel Assembly—N.S. (L.H.)	1	
	2225629	"A" Post Panel Assembly—N.S. (L.H.)	1	
A10	2121933	Drip Moulding—Upper—N.S. (L.H.)	1	

**BODY — SIDE PANEL, ROOF AND FITTINGS — PASSENGER
(LIGHT BUS — CONTRACTORS BUS — STATION WAGON — CARAVAN)**

Plate Ref.	Part Number	DESCRIPTION	No. per Veh.	REMARKS
STATION WAGON—continued				
A11	2120733 (2216365)	Drip Moulding—Lower—N.S. (L.H.)	1	
	2216365	Drip Moulding—Lower—N.S. (L.H.)	1	
A12	2120668	"A" Post Finisher—O.S. (R.H.)	1	
	2120669	"A" Post Finisher—N.S. (L.H.)	1	
	2120674	CANTRAIL—FRONT DOOR—O.S. (R.H.)	1	
A13	2120675	Cantrail—Front Door—N.S. (L.H.)	1	
A14	2120728	Cantrail Closing Panel—Front Door	2	Early Condition
	2216384	Cantrail Closing Panel—Front Door—O.S. (R.H.)	1	
	2216385	Cantrail Closing Panel—Front Door—N.S. (L.H.)	1	Late Condition
	2208378	Cantrail Protection Strip	2	
	2121908	Drip Moulding—Front Door—O.S. (R.H.)	1	Early Condition
A15	2121909	Drip Moulding—Front Door—N.S. (L.H.)	1	
A16	2120512	Sill Panel—Front Door—O.S. (R.H.)	1	
	2120513	Sill Panel—Front Door—N.S. (L.H.)	1	
	H.107112	Buffer Sill Panel	2	
	2214723	STEP FRAME—FRONT DOOR—N.S. (L.H.)	1	Home
	2214726	Washer Plate	2	
	39104120	Screw— $\frac{1}{2}$ " UNF. \times $\frac{1}{2}$ " Step Frame	4	
	9067017	Washer— $\frac{1}{2}$ " plain	4	
	9510040	Nut— $\frac{1}{2}$ " UNF.	4	
	2214725	Finisher—Front Door Step—N.S. (L.H.)	1	
	2120586 (2228076)	"B" POST PANEL—O.S. (R.H.)	1	
	2120587 (2228077)	"B" Post Panel—N.S. (L.H.)	1	
	2228076	"B" Post Panel—O.S. (R.H.)	1	
	2228077	"B" Post Panel—N.S. (L.H.)	1	
	2120756	"B" Post Finisher—O.S. (R.H.)	1	
	2120757	"B" Post Finisher—N.S. (L.H.)	1	
	H.107112	Buffer—"B" Post Panel	2	See Note 7—Page 304
	2223056	Buffer—"B" Post Panel	2	
	2223012	Packing Piece	A/R	See Note 8—Page 304
	39600166	Screw—No. 4 UNC. \times 1" } "B" Post	4	
A19	2204946	DOOR PANEL ASSEMBLY—FRONT—O.S. (R.H.)	1	See Note 7—Page 304
A20	2204947	Door Panel Assembly—Front—N.S. (L.H.)	1	
	2225098 (3021430)	Door Panel Assembly—Front—O.S. (R.H.)	1	See Note 8 up to Note 11 and see Special Note A—Page 304
	2225099 (3021429)	Door Panel Assembly—Front—N.S. (L.H.)	1	
	3021430	Door Panel Assembly—Front—O.S. (R.H.)	1	See Note 11 and Special Note A—Page 304
	3021429	Door Panel Assembly—Front—N.S. (L.H.)	1	
A21	2202941	Glass—Dropping—Door—Front	2	
A22	2202953	Glass Run Channel—Top	2	
	9130104	Clip—Glass Channel	6	
A23	2202954	Glass Run Channel Assembly—Draughtless Ventilator—O.S. (R.H.)	1	
	2202955	Glass Run Channel Assembly—Draughtless Ventilator—N.S. (L.H.)	1	
A24	2202956	Glass Run Channel Assembly—"B" Post—O.S. (R.H.)	1	
	2202957	Glass Run Channel Assembly—"B" Post—N.S. (L.H.)	1	
	9130104	Clip—Glass Channel	8	
	39303060	Screw—No. 10 UNF. \times $\frac{1}{2}$ " } Glass	4	
	H.83295	Washer	4	
A25	2202942	Channel—Glass—Bottom	2	Used prior to Note 11 and See Special Note A—Page 304

**BODY — SIDE PANEL, ROOF AND FITTINGS — PASSENGER
(LIGHT BUS — CONTRACTORS BUS — STATION WAGON — CARAVAN)**

Plate Ref.	Part Number	DESCRIPTION	No. per Veh.	REMARKS	
		STATION WAGON—continued			
A25/1 A26	3055927	Channel Bottom—O.S. (R.H.)	1	} See Note 11 and Special Note A—Page 304	
	3055928	Channel Bottom—N.S. (L.H.)	1		
	2202991	Weatherstrip—Glass Channel—Bottom	2	} Used prior to Chassis No. 1500/-/008434	
	2203223	Weatherstrip—Waist Rail	2		
	P.43647	Clip	8		
	2216402	Seal—Waist Rail—O.S. (R.H.)	1		
		2216403	Seal—Waist Rail—N.S. (L.H.)	1	} Used on and after Chassis No. 1500/-/008434 and up to Chassis No. 1500/-/015897
		9130071	Clip	10	
		2215723 (2216402/3)	Weatherstrip—Waist Rail	2	} Used on and after Chassis No. 1500/-/015897 CKD 1500/-/72347
		9130071	Clip	10	
	2122054	Glass Stop Bracket Assembly	2		
	P.49120 (9119595)	Plug—Drain Hole	8		
	2202934	DRAUGHTLESS VENTILATOR ASSEMBLY—O.S. (R.H.)	1		
	2202935	Draughtless Ventilator Assembly—N.S. (L.H.)	1		
A27		Outer Frame		Not supplied	
A28	2202936	Glass	2		
A29	H.100670	Glazing Strip	A/R	Order in feet	
A30		Inner Frame		Not supplied	
A31	5037562	Top Pivot Bracket—Outer—O.S. (R.H.)	1		
	5037563	Top Pivot Bracket—Outer—N.S. (L.H.)	1		
A32	5037564	Top Pivot Bracket—Inner—O.S. (R.H.)	1		
	5037565	Top Pivot Bracket—Inner—N.S. (L.H.)	1		
A33	5037561	Locking Plate	2		
A34	H.89382	Locking Handle—O.S. (R.H.)	1		
	H.92375	Locking Handle—N.S. (L.H.)	1		
A35	K.23791	Waved Washer	4		
A36	K.23792	Grooved Pin	2		
A37	2208516	Weatherstrip—O.S. (R.H.)	1		
	2208517	Weatherstrip—N.S. (L.H.)	1		
	39602061	Screw—No. 8 UNC. x 1/2"—Ventilator to Door	6		
A38	2121934	WINDOW REGULATOR ASSEMBLY—O.S. (R.H.)	1	} Used prior to Note 11 and See Special Note A—Page 304	
	2121935	Window Regulator Assembly—N.S. (L.H.)	1		
	2223070	Window Regulator Assembly—O.S. (R.H.)	1	} See Note 11 and Special Note A—Page 304	
	2223071	Window Regulator Assembly—N.S. (L.H.)	1		
	39304081	Screw—1/2" UNF. x 1/2" } Regulator	8		
	9664163	Washer—1/2" shakeproof } to Door	8		
A39	2218559	WINDOW REGULATOR HANDLE ASSEMBLY	2		
A40	H.114165	Escutcheon	2		
A41	2203160	Pad—Escutcheon } Handle	2		
A42	H.108236	Cross Pin ... } to Door	2		
A43	9122188	Pad—Handle Pin	2		
A44	5037588	LOCK ASSEMBLY—FRONT DOOR—O.S. (R.H.)	1	} See Note 3—Page 303	
	5037587	Lock Assembly—Front Door—N.S. (L.H.)	1		
A45	5037584	Link—Front Door—O.S. (R.H.)	1		
	5037583	Link—Front Door—N.S. (L.H.)	1		
A46	5037590	Remote Control Assembly—Front Door—O.S. (R.H.)	1		
	5037589	Remote Control Assembly—Front Door—N.S. (L.H.)	1		
	5038177	Lo.s. Assembly—Front Door—O.S. (R.H.)	1	} See Note 4—Page 303	
	5038178	Lock Assembly—Front Door—N.S. (L.H.)	1		
	5038181	Link—Front Door—O.S. (R.H.)	1		

**BODY — SIDE PANEL, ROOF AND FITTINGS — PASSENGER
(LIGHT BUS — CONTRACTORS BUS — STATION WAGON — CARAVAN)**

Plate Ref.	Part Number	DESCRIPTION	No. per Veh.	REMARKS
		STATION WAGON—continued		
	5038182	Link—Front Door—N.S. (L.H.)	1	} See Note 4— Page 303
	5038179	Remote Control Assembly—Front Door—O.S. (R.H.)	1	
	5038180	Remote Control Assembly—Front Door—N.S. (L.H.)	1	
	K.29918	Rivet	4	
	9075011	Waved Washer } Lock and Remote Control to Link	4	
	9071124	Shim	4	
	39303081	Screw—No. 10 UNF. × 1" } Lock and	12	
	9663122	Washer— $\frac{3}{8}$ " shakeproof } Remote Control	12	
	9067010	Washer— $\frac{3}{8}$ " plain } to Door	6	
	2203158	HANDLE ASSEMBLY—LOCKING—FRONT DOOR— OUTSIDE—O.S. (R.H.)	1	
	H.115971	Cylinder Lock } F.P.	1	} When ordering always quote number stamped on lock
	H.111345	Key ... } Series	2	
A47	2203159	Handle Assembly—Non-Locking—Front Door—Outside— N.S. (L.H.)	1	
A48	2218963	Attachment Plate	2	
A49	H.114768	Gasket	2	
	9663102	Washer— $\frac{3}{8}$ " shakeproof } Handle	4	
	9550020	Nut—No. 8 UNC.	4	
A50	H.105472	HANDLE ASSEMBLY—FRONT DOOR—INSIDE	2	
A51	H.114165	Escutcheon—Handle to Door	2	
A52	2203160	Pad—Escutcheon	2	
A53	H.108236	Cross Pin ... } Handle to Door	2	
A54	9122188	Pad—Handle Pin	2	
	2206460 (2228012)	TRIM PAD—RED—FRONT DOOR—O.S. (R.H.)	1	
A55	2206461 (2228013)	Trim Pad—Red—Front Door—N.S. (L.H.)	1	
	2228012	Trim Pad—Red—Front Door—O.S. (R.H.)	1	
	2228013	Trim Pad—Red—Front Door—N.S. (L.H.)	1	
	9131013	Piping—Trim Pad		Not supplied
	2121976	Clip—Trim Pad to Door	30	
A56	9731063	Trim Pad Retainer	2	
	2214658	Tapping Screw—No. 4 × 1" —Retainer to Door	12	
	9762086	ASH BOWL—RED—FRONT DOOR	2	
A57	2206222	Tapping Screw—No. 6 × 1"	6	
A58	2206223	LOOP—FRONT DOOR PULL	2	
	9733086	Plate—Door Pull Loop	2	} Early Condition
	39802081	Screw—No. 8 × $\frac{1}{2}$ " } Loop to ... Early Models	4	
		Screw—No. 8 UNC. × 1" } Door ... Late Models	4	
	H.118625	Pull—Door	2	} Late Condition
	2221746	Tapped Plate—Door Pull	2	
	39423122	Screw—Pull to Door	4	
	2223093	BADGE—FRONT DOOR	2	} 2500 Series
	9132944	Friction Bush	4	
A59	2121960	HINGE—UPPER—FRONT DOOR—O.S. (R.H.)	1	} See Note 7— Page 304
	2121961	Hinge—Upper—Front Door—N.S. (L.H.)	1	
	2121962	Hinge—Lower—Front Door—O.S. (R.H.)	1	
A60	2121963	Hinge—Lower—Front Door—N.S. (L.H.)	1	
	39215120	Screw— $\frac{3}{8}$ " UNF. × 1" —Hinge to Door	14	
	39225144	Screw— $\frac{3}{8}$ " UNF. × $\frac{1}{2}$ " —Hinge to "A" Post	12	
	2224042	Hinge—Upper—Front Door—O.S. (R.H.)	1	} See Note 8—Page 304
	2224043	Hinge—Upper—Front Door—N.S. (L.H.)	1	
	2224044	Hinge—Lower—Front Door—O.S. (R.H.)	1	
	2224045	Hinge—Lower—Front Door—N.S. (L.H.)	1	

**BODY — SIDE PANEL, ROOF AND FITTINGS — PASSENGER
(LIGHT BUS — CONTRACTORS BUS — STATION WAGON — CARAVAN)**

Plate Ref.	Part Number	DESCRIPTION	No. per Veh.	REMARKS
		STATION WAGON—continued		
	39215120	Screw— $\frac{5}{8}$ " UNF. \times $\frac{1}{2}$ "—Hinge to Door	14	} See Note 8—Page 304
	39225184	Screw— $\frac{5}{8}$ " UNF. \times $1\frac{1}{4}$ "—Hinge to "A" Post	12	
	39205064	Screw— $\frac{5}{8}$ " UNF. \times $\frac{1}{2}$ "—Hinge to Support Plate	4	
	2120678	Hinge Cover Plate—Upper—O.S. (R.H.)	1	
A61	2120679	Hinge Cover Plate—Upper—N.S. (L.H.)	1	
	2120680	Hinge Cover Plate—Lower—O.S. (R.H.)	1	
A62	2120681	Hinge Cover Plate—Lower—N.S. (L.H.)	1	
	9732086	Tapping Screw—No. 6 \times $\frac{1}{2}$ "—Cover Plate to "A" Post	16	
A63	2121998 (2225092)	CHECK ARM ASSEMBLY—FRONT DOOR	2	
	2225092	Check Arm Assembly—Front Door	2	
	H.116241	Rivet—Check Arm to Door	2	
A64	2120770	Bracket—Check Arm	2	
	19505052	Screw— $\frac{5}{8}$ " UNF. \times $\frac{1}{2}$ " } Bracket	4	} See Note 1— Page 303
	9664203	Washer— $\frac{5}{8}$ " shakeproof } to Body	4	
	H.114708	STRIKER—FRONT DOOR LOCK—O.S. (R.H.)	1	
	H.114709	Striker—Front Door—Lock N.S. (L.H.)	1	
	2121922	Striker—Front Door Lock—O.S. (R.H.)	1	} See Note 2— Page 303
A65	2121923	Striker—Front Door Lock—N.S. (L.H.)	1	
	2218552	Washer—Packing—Striker Door Lock	A/R	
	39104081	Screw— $\frac{1}{2}$ " UNF. \times $\frac{1}{2}$ "—Striker to Body	6	
	2202950	WEATHERSTRIP — FRONT DOOR APERTURE — O.S. (R.H.)	1	
A66	2202950	Weatherstrip—Front Door Aperture—N.S. (L.H.)	1	
	P.49288	Clip—Weatherstrip	60	
A67	2203131 (5200520)	GRAB HANDLE—"A" POST	2	
	39313101	Screw—No. 10 UNF. \times $\frac{1}{2}$ " } Grab Handle	4	} to "A" Post
	9663123	Washer— $\frac{5}{8}$ " shakeproof }	4	
A68	2120537	"B"—"C" POST PANEL—N.S. (L.H.)—R.H.D.	1	
	2120536	"B"—"C" Post Panel—O.S. (R.H.)—L.H.D.	1	
A69	2122056	POST ASSEMBLY—SIDE DOOR—STRIKER—R.H.D.	1	Early Condition
	2225098	Post Assembly—Side Door—Striker—R.H.D.	1	Late Condition
A70	2122061	Post Assembly—Side Door—Hinged—R.H.D.	1	
A71	2122099	Check Arm Bracket Assembly—R.H.D.	1	} Order in Pairs
	2122098	Check Arm Bracket Assembly—R.H.D.	1	
A72	2120784	Bracket—Upper Hinge—R.H.D.	1	
A73	2120630	Bracket—Lower Hinge—R.H.D.	1	
	2122057	Post Assembly—Side Door—Striker—L.H.D.	1	Early Condition
	2225099	Post Assembly—Side Door—Striker—L.H.D.	1	Late Condition
	2122060	Post Assembly—Side Door—Hinged—L.H.D.	1	
	2122099	Check Arm Bracket Assembly—L.H.D.	1	} Order in Pairs
	2122098	Check Arm Bracket Assembly—L.H.D.	1	
	2120785	Bracket—Upper Hinge—L.H.D.	1	
	2120631	Bracket—Lower Hinge—L.H.D.	1	
	2122086	Finisher Panel Assembly—"C" Post—R.H.D.	1	
A74	2122085	Finisher Panel Assembly—"C" Post—L.H.D.	1	
	39313061	Screw—No. 10 UNF. \times $\frac{1}{2}$ " } Blanking Hole	2	} Early Condition
	9663123	Washer— $\frac{5}{8}$ " shakeproof } "C" Post Finisher	2	
	2122085	Finisher Panel Assembly—"D" Post—R.H.D.	1	
	2122086	Finisher Panel Assembly—"D" Post—L.H.D.	1	
	2228065	Finisher Panel Assembly—"D" Post—R.H.D.	1	} Late Condition
	2228064	Finisher Panel Assembly—"D" Post—L.H.D.	1	
A75	2120700	CANTRAIL—SIDE DOOR	1	
A76	2120778	Cantrail Closing Panel	1	
	2216549	Seal—Cantrail—Side Door	1	
A77	2121914	Drip Moulding—Side Door	1	
A78	2121995	Finisher Strip—Top—Side Door	1	

**BODY — SIDE PANEL, ROOF AND FITTINGS — PASSENGER
(LIGHT BUS — CONTRACTORS BUS — STATION WAGON — CARAVAN)**

Plate Ref.	Part Number	DESCRIPTION	No. per Veh.	REMARKS
		STATION WAGON—continued		
A79	2121945	Finisher Strip—"C" Post—R.H.D.	1	} Used prior to Chassis Nos. — See Note 9—Page 304
	2121944	Finisher Strip—"C" Post—L.H.D.	1	
A80	2121944	Finisher Strip—"D" Post—R.H.D.	1	
	2121945	Finisher Strip—"D" Post—L.H.D.	1	
	2228079	Finisher Strip—Upper } "C" Post—R.H.D.	1	} Used on and after Chassis Nos.—See Note 10— Page 304
	2228081	Finisher Strip—Lower } "C" Post—R.H.D.	1	
	2228078	Finisher Strip—Upper } "C" Post—L.H.D.	1	
	2228080	Finisher Strip—Lower } "C" Post—L.H.D.	1	
	2228078	Finisher Strip—Upper } "D" Post—R.H.D.	1	
	2228080	Finisher Strip—Lower } "D" Post—R.H.D.	1	
	2228079	Finisher Strip—Upper } "D" Post—L.H.D.	1	
	2228081	Finisher Strip—Lower } "D" Post—L.H.D.	1	
A81	2204514	TREAD PLATE—SILL—SIDE DOOR	1	
	9763085	Tapping Screw—No. 8 × 1/4"—Tread Plate	4	
A82	2204973 (2228095)	DOOR PANEL ASSEMBLY—SIDE—N.S. (L.H.)—R.H.D.	1	} See Note 9— Page 304
	2204972 (2228094)	Door Panel Assembly—Side—O.S. (R.H.)—L.H.D.	1	
	2228095	Door Panel Assembly—Side—N.S. (L.H.)—R.H.D.	1	} See Note 10— Page 304
	2228094	Door Panel Assembly—Side—O.S. (R.H.)—L.H.D.	1	
A83	2203342	Glass—Side Door	1	} Home—Standard Early Condition
A84	2203343	Weatherstrip—Side Door Glass	1	
	2206781 (2216989)	WINDOW ASSEMBLY — SLIDING — SIDE DOOR — N.S. (L.H.)—R.H.D.	1	} Export—Standard ; Home—Special Order only Intermediate Condition
	2206780 (2216988)	Window Assembly—Sliding—Side Door—O.S. (R.H.)—L.H.D.	1	
	2206782	Glass—Sliding	1	
	2206783	Glass—Fixed	1	
	2208573	Catch Assembly—N.S. (L.H.)—R.H.D.	1	
	2208572	Catch Assembly—O.S. (R.H.)—L.H.D.	1	
	39001041	Screw—No. 6 UNC. × 1/4"—Catch to Frame	2	
	2203262	Striking Plate	1	
	2206784	Filler Strip—Rubber	1	
	2203294	Channel Seal—Rubber	1	
	2203291	Spring—Channel	1	
	2206388	Backing Plate	2	
	39001031	Screw—4 BA × 3/8"—Backing Plate	8	
	2208148	Weatherstrip—Sliding Window—Side Door	1	
	2216989	WINDOW ASSEMBLY — SLIDING — SIDE DOOR — N.S. (L.H.)—R.H.D.	1	
	2216988	Window Assembly—Sliding—Side Door—O.S. (R.H.)—L.H.D.	1	
	2216999	Glass—Sliding	1	
	2206783	Glass—Fixed	1	
	2216993	Catch Assembly	1	
	39001064	Screw—4 BA × 1/4"—Finger Pull to Running Channel	2	
	2216998	Finger Pull	1	
	2206784	Filler Strip—Rubber	1	
	2203294	Channel Seal—Rubber	1	
	2203291	Spring—Channel	1	
	2206388	Backing Plate	2	
	39001031	Screw—4 BA. × 3/8"—Backing Plate	8	
	2208148	Weatherstrip—Sliding Window—Side Door	1	
A85	5037587	LOCK ASSEMBLY—SIDE DOOR—N.S. (L.H.)—R.H.D.	1	} See Note 3— Page 303
	5037588	Lock Assembly—Side Door—O.S. (R.H.)—L.H.D.	1	

**BODY — SIDE PANEL, ROOF AND FITTINGS — PASSENGER
(LIGHT BUS — CONTRACTORS BUS — STATION WAGON — CARAVAN)**

Plate Ref.	Part Number	DESCRIPTION	No. per Veh.	REMARKS
		STATION WAGON—continued		
	5037585	Link—Side Door—N.S. (L.H.)—R.H.D.	1	} See Note 3— Page 303
	5037586	Link—Side Door—O.S. (R.H.)—L.H.D.	1	
	5037589	Remote Control Assembly—Side Door—N.S. (L.H.)—R.H.D.	1	
	5037590	Remote Control Assembly—Side Door—O.S. (R.H.)—L.H.D.	3	
	5038178	Lock Assembly—Side Door—N.S. (L.H.)—R.H.D.	1	} See Note 4— Page 303
	5038177	Lock Assembly—Side Door—O.S. (R.H.)—L.H.D.	1	
	5038183	Link—Side Door—N.S. (L.H.)—R.H.D.	1	
	5038184	Link—Side Door—O.S. (R.H.)—L.H.D.	1	
	5038180	Remote Control Assembly—Side Door—N.S. (L.H.)—R.H.D.	1	
	5038179	Remote Control Assembly—Side Door—O.S. (R.H.)—L.H.D.	1	
	K.29918	Rivet	2	
	9075011	Washed Washer } Lock and Remote Control to Link	2	
	9071124	Shim	2	
	2122068	Remote Control Bracket Assembly—Side Door—N.S. (L.H.)— R.H.D.	1	
	2122069	Remote Control Bracket Assembly—Side Door—O.S. (R.H.)— L.H.D.	1	
	39303081	Screw—No. 10 UNF. × 1/2" Lock and	6	
	9664122	Washer—1/2" shakeproof } Remote Control	6	
	9067010	Washer—1/2" plain	3	
	39304081	Screw—1/4" UNF. × 1/2" Remote Control	6	
	9664163	Washer—1/2" shakeproof } Bracket to	6	
	9067017	Washer—1/2" plain	3	
A88	2203159	HANDLE ASSEMBLY—SIDE DOOR—OUTSIDE	1	
A89	2218963	Attachment Plate	1	
A90	H.114768	Gasket	1	
	9663102	Washer—1/8" shakeproof } to Door	2	
	9550020	Nut—No. 8 UNC,	2	
A91	H.105472	HANDLE ASSEMBLY—SIDE DOOR—INSIDE	1	
A92	H.114165	Escutcheon	1	
A93	2203160	Pad—Escutcheon } Handle	1	
A94	H.108236	Cross Pin	1	
A95	9122188	Rubber Pad	1	
A96	2206462 (2228025)	TRIM PAD—RED—SIDE DOOR	1	
	2228025	Trim Pad—Red—Side Door	1	
		Piping—Trim Pad		Not supplied
	9131013	Clip—Trim Pad to Door	17	
A97	2121976	Trim Pad Retainer—Side Door	1	
	9731063	Tapping Screw—No. 4 × 1/2"—Retainer to Door	6	
	2206222	LOOP—SIDE DOOR PULL	1	
	2206223	Plate—Door Pull Loop	1	
	39802081	Screw—No. 8 UNC. × 1/2"—Loop to Door	2	
	H.118625	Pull—Door	1	
	2221746	Tapped Plate—Door Pull	1	
	39423122	Screw—Pull to Door	2	
	2214658	ASH BOWL—RED—SIDE DOOR	1	
	9762086	Tapping Screw—No. 6 × 1/2"	3	
A98	2122049	HINGE—UPPER—SIDE DOOR—N.S. (L.H.)—R.H.D.	1	
A99	2122047	Hinge—Lower—Side Door—N.S. (L.H.)—R.H.D.	1	
	2122048	Hinge—Upper—Side Door—O.S. (R.H.)—L.H.D.	1	
	2122046	Hinge—Lower—Side Door—O.S. (R.H.)—L.H.D.	1	
	19105229	Bolt—1/8" UNF. × 2 1/2"	2	
	19105139	Bolt—1/8" UNF. × 1 1/2" } Hinge to	2	
	9510051	Nut—1/8" UNF.	4	
	9664203	Washer—Shakeproof } Door	4	

**BODY — SIDE PANEL, ROOF AND FITTINGS — PASSENGER
(LIGHT BUS — CONTRACTORS BUS — STATION WAGON — CARAVAN)**

Plate Ref.	Part Number	DESCRIPTION	No. per Veh.	REMARKS	
		STATION WAGON—continued			
	39305104	Screw— $\frac{3}{8}$ " UNF. \times $\frac{1}{2}$ " } Hinges to	7		
	9664203	Washer— $\frac{3}{8}$ " shakeproof } Body	7		
	2214788	Seal—Rubber—Side Door Hinge	2		
	2214787	Retainer—Seal	2		
	9722065	Tapping Screw—Retainer—No. 6 \times $\frac{1}{2}$ "	4		
A100	2121994	CHECK ARM ASSEMBLY—SIDE DOOR	1		
	H.1115241	Rivet—Check Arm to Body	1		
	H.1114709	STRIKER—SIDE DOOR LOCK—N.S. (L.H.)—R.H.D.	1	} See Note 1— Page 303	
	H.1114708	Striker—Side Door Lock—O.S. (R.H.)—L.H.D.	1		
A101	2121923	Striker—Side Door Lock—N.S. (L.H.)—R.H.D.	1	} See Note 2— Page 303	
	2121922	Striker—Side Door Lock—O.S. (R.H.)—L.H.D.	1		
	2218552	Washer—Packing—Striker—Door Lock	A/R		
	39104081	Screw— $\frac{1}{2}$ " UNF. \times $\frac{1}{2}$ "—Striker to Body	1		
A102	2203241	WEATHERSTRIP—SIDE DOOR	1		
A103	2203131	Grab Handle—"D" Post	1		
	39313101	Screw—No. 10 UNF. \times $\frac{1}{2}$ " } Grab Handle	2		
	9663123	Washer— $\frac{3}{8}$ " shakeproof } to "D" Post	2		
A104	2203342	WINDOW GLASS—SIDE—FRONT	1	} Home—Standard Early Condition	
A105	2203343	Weatherstrip—Glass—Side—Front	1		
	2206780 (2216988)	WINDOW ASSEMBLY—SLIDING—SIDE—FRONT— O.S. (R.H.)—R.H.D.	1	} Export—Standard ; Home—Special Order only Intermediate Condition	
	2206781 (2216989)	Window Assembly—Sliding—Side—Front—N.S. (L.H.)— L.H.D.	1		
	2206782	Glass—Sliding	1		
	2206783	Glass—Fixed	1		
	2208572	Catch Assembly—O.S. (R.H.)—R.H.D.	1		
	2208573	Catch Assembly—N.S. (L.H.)—L.H.D.	1		
	39601041	Screw—No. 6 UNC. \times $\frac{1}{2}$ "—Catch to Frame	2		
	2203262	Striking Plate	1		
	2206784	Filler Strip—Rubber	1		
	2203294	Channel Seal—Rubber	1		
	2203291	Spring—Channel	1		
	2206388	Backing Plate	4		
	39001051	Screw—4 BA \times $\frac{3}{8}$ "—Backing Plate	8		
	2208148	Weatherstrip—Sliding Window—Side—Front	1		
	2216988	WINDOW ASSEMBLY—SLIDING—SIDE—FRONT— O.S. (R.H.)—R.H.D.	1		} Export—Standard ; Home—Special Order only Late Condition
	2216989	Window Assembly—Sliding—Side—Front—N.S. (L.H.)— L.H.D.	1		
	2216999	Glass—Sliding	1		
	2206783	Glass—Fixed	1		
	2216993	Catch Assembly	1		
	39001064	Screw—4 BA \times $\frac{1}{2}$ "—Finger Pull to Running Channel	2		
	2216998	Finger Pull	1		
	2206784	Filler Strip—Rubber	1		
	2203294	Channel Seal—Rubber	1		
	2203291	Spring—Channel	1		
	2206388	Backing Plate	2		
	39001031	Screw—4 BA \times $\frac{3}{8}$ "—Backing Plate	8		
	2208148	Weatherstrip—Sliding Window—Side—Front	1		
	2203300 (2217540)	WINDOW ASSEMBLY—SLIDING—INTERMEDIATE— O.S. (R.H.)	1	} Early Models	
A106	2203301 (2217541)	Window Assembly—Sliding—Intermediate—N.S. (L.H.)	1		
A107	2203197	Glass—Sliding	2		

**BODY — SIDE PANEL, ROOF AND FITTINGS — PASSENGER
(LIGHT BUS — CONTRACTORS BUS — STATION WAGON — CARAVAN)**

Plate Ref.	Part Number	DESCRIPTION	No. per Veh.	REMARKS
		STATION WAGON—continued		
A108	2203306	Glass—Fixed	2	} Early Models
	2208572	Catch Assembly—O.S. (R.H.)	1	
A109	2208573	Catch Assembly—N.S. (L.H.)	1	
	39601041	Screw—No. 6 UNC. x 1/2"—Catch to Frame	4	
A110	2203262	Striking Plate	2	
	2203295	Filler Strip—Rubber	2	
	2203294	Channel Seal—Rubber	2	
	2203291	Spring—Channel	2	
	2206388	Backing Plate	4	
	39001031	Screw—4 BA x 3/8"—Backing Plate	16	
A111	2203297	Weatherstrip—Sliding Window—Intermediate	2	
	2217542 (2217540)	WINDOW ASSEMBLY — SLIDING — INTERMEDIATE — O.S. (R.H.)	1	} Late Models
	2217543 (2217541)	Window Assembly—Sliding—Intermediate—N.S. (L.H.)	1	
	2217548	Glass—Sliding	2	
	2203306	Glass—Fixed	2	
	2216993	Catch Assembly	2	
	39001064	Screw—4 BA x 1/2"—Finger Pull to Running Channel	4	
	2216998	Finger Pull	2	
	2206784	Filler Strip—Rubber	2	
	2203294	Channel Seal—Rubber	2	
	2203291	Spring Channel	2	
	2206388	Backing Plate	4	
	39001031	Screw—4 BA x 3/8"—Backing Plate	16	
	2208148	Weatherstrip—Sliding Window—Intermediate	2	
	2203318	WINDOW GLASS—SIDE—REAR—O.S. (R.H.)	1	
A112	2203319	Window Glass—Side—Rear—N.S. (L.H.)	1	
	2203320	Weatherstrip—Glass—Side—Rear—O.S. (R.H.)	1	
A113	2203321	Weatherstrip—Glass—Side—Rear—N.S. (L.H.)	1	
A114	2120740	FINISHER PANEL—FRONT	2	} Early Condition
A115	2120708	Finisher Panel—Window—Front	1	
A116	2120705	Finisher Panel—Window—Centre	2	
	2228060	Finisher Panel—Window—Front—R.H.D.	1	} Late Condition
	2228061	Finisher Panel—Window—Front—L.H.D.	1	
	2228051	Finisher Panel—Window—Centre	2	
A117	2120706	Finisher Panel—Window—Intermediate—Rear—O.S. (R.H.)	1	} Early Condition
	2120707	Finisher Panel—Window—Intermediate—Rear—N.S. (L.H.)	1	
	2228058	Finisher Panel—Window—Intermediate—Rear—O.S. (R.H.)	1	} Late Condition
	2228059	Finisher Panel—Window—Intermediate—Rear—N.S. (L.H.)	1	
A118	2120710	Finisher Panel—Window—Rear Corner—O.S. (R.H.)	1	
	2120711	Finisher Panel—Window—Rear Corner—N.S. (L.H.)	1	
	9732086	Tapping Screw—No. 6 x 1/2"—Finisher to Rear Pillar	12	
A119	2204580	PANEL—INTERIOR—REAR CORNER—O.S. (R.H.)	1	
	2204581	Panel—Interior—Rear Corner—N.S. (L.H.)	1	
	9774126	Tapping Screw—No. 10 x 1/2"—Rear Corner	16	
	9067094	Washer—1/2" plain	16	
A120	2206406	PANEL COVER—REAR LAMP—O.S. (R.H.)	1	
	2206407	Panel Cover—Rear Lamp—N.S. (L.H.)	1	
	9030036	Spire Nut	12	
	9732043	Tapping Screw—No. 6 x 1/2"—Cover Panel	12	

**BODY — SIDE PANEL, ROOF AND FITTINGS — PASSENGER
(LIGHT BUS — CONTRACTORS BUS — STATION WAGON — CARAVAN)**

Plate Ref.	Part Number	DESCRIPTION	No. per Veh.	REMARKS
		STATION WAGON—continued		
A121	2122096	SEAT FIXING RAIL ASSEMBLY—LONG—O.S. (R.H.)—R.H.D.	1	} Early Condition
	2122095	Seat Fixing Rail Assembly—Short—N.S. (L.H.)—R.H.D.	1	
	2122094	Seat Fixing Rail Assembly—Short—O.S. (R.H.)—L.H.D.	1	
	2122097	Seat Fixing Rail Assembly—Long—N.S. (L.H.)—L.H.D.	1	
	2225052	Seat Fixing Rail Assembly—Long—O.S. (R.H.)—R.H.D.	1	} Late Condition
	2225051	Seat Fixing Rail Assembly—Short—N.S. (L.H.)—R.H.D.	1	
	2225050	Seat Fixing Rail Assembly—Short—O.S. (R.H.)—L.H.D.	1	
	2225053	Seat Fixing Rail Assembly—Long—N.S. (L.H.)—L.H.D.	1	
	19504052	Screw— $\frac{1}{2}$ " UNF. \times $\frac{1}{2}$ "	6	} Rail—Rear End to Wheelarch
	9067097	Washer— $\frac{1}{2}$ " plain	6	
	9664163	Washer— $\frac{1}{2}$ " shakeproof	6	
A122	2206719 (2228024)	TRIM PAD—RED—"B"—"C" POST	1	
A125	2206468 (2228018)	Trim Pad—Red—Rear—Side Panel—O.S. (R.H.)	1	
	2206469 (2228019)	Trim Pad—Red—Rear—Side Panel—N.S. (L.H.)	1	
	2228024	Trim Pad—Red—"B"—"C" Post	1	
	2228018	Trim Pad—Red—Rear—Side Panel—O.S. (R.H.)	1	
	2228019	Trim Pad—Red—Rear—Side Panel—N.S. (L.H.)	1	
	9131013	Clip—Trim Pad to Side Panel	47	
	9762065	Tapping Screw—No. 6 \times $\frac{1}{2}$ "	8	} Trim Pad to Side Panel
	9670613	Cup Washer—No. 6	8	
A126	2121977	Trim Pad Retainer—Long—O.S. (R.H.)—R.H.D.	1	
	2121978	Trim Pad Retainer—Short—N.S. (L.H.)—R.H.D.	1	
	2121978	Trim Pad Retainer—Short—O.S. (R.H.)—L.H.D.	1	
	2121977	Trim Pad Retainer—Long—N.S. (L.H.)—L.H.D.	1	
A127	2120723	Trim Pad Channel Support—Wheel Arch	2	
A128	2120655	Trim Pad Channel Support—Side	3	
	19504052	Screw— $\frac{1}{2}$ " UNF. \times $\frac{1}{2}$ "	2	} Seat Fixing Rail Channel Support to Trim Pad
	9664163	Washer— $\frac{1}{2}$ " Internal	2	
A129	2214658	ASH BOWL—RED—REAR COMPARTMENT	3	
	9762086	Tapping Screw—No. 6 \times $\frac{1}{2}$ "—Ash Bowl	9	
	9020000	Spire Nut	9	
A130	8037591	MIRROR—EXTERIOR	2	
	2216970	Mirror Assembly—Exterior—R.H.	1	} N. America Used on and after Chassis No. 1500/015543
	2216971	Mirror Assembly—Exterior—L.H.	1	
	8037596	Nut—Mirror Head Fixing	2	
	8038034	Mirror Arm—O.S. (R.H.)	1	
A131	8038035	Mirror Arm—N.S. (L.H.)	1	
A132	9022035	Nut—Domed	2	
A133	8037593	Clamp	2	} Mirror Arm Fixing
	8037597	Sleeve	2	
A134	2203384	Bracket	2	
A135	2203234	Bolt	2	
	3951101	Screw—No. 10 UNF. \times $\frac{1}{2}$ "	4	} Mirror to Door
	9663123	Washer— $\frac{3}{8}$ " shakeproof	4	
A136	2120500	ROOF PANEL—FRONT	1	
A137	2120501	Roof Panel—Rear	1	
	2120624	Roof Swage Support Bracket	6	
	2120729	Roof Lamp Bracket	4	
A138	2203974	VENTILATOR—ROOF	1	
A139	2203345	Frame Assembly—Ventilator	1	
	2215551	Collar—Ventilator	1	} Required only with Tropical Roof Insulation
	19503042	Screw—No. 10 UNF. \times $\frac{1}{2}$ "	10	
	9660121	Washer— $\frac{3}{8}$ " spring	10	
	9067095	Washer— $\frac{3}{8}$ " plain	10	

**BODY — SIDE PANEL, ROOF AND FITTINGS — PASSENGER
(LIGHT BUS — CONTRACTORS BUS — STATION WAGON — CARAVAN)**

Plate Ref.	Part Number	DESCRIPTION	No. per Veh.	REMARKS
		STATION WAGON—continued		
A140	2203461	Mesh—Ventilator	1	} See Note 5—Page 303
A141	P.86026	Surround—Mesh	A/R	
	2219120	Board Ventilator	1	} See Note 4—Page 303
	9762086	Tapping Screw—No. 6 × 1/2" } Mesh/Board	8	
	9020036	Spire Nut } to Frame	8	
	2509801	ROOF LINING ASSEMBLY	1	
	2204589	Listing Rail—Nos. 1 and 6—Green	2	
	2204590	Listing Rail—Nos. 2, 3, 4 and 5—Yellow	4	
	2204591	Listing Rail—No. 7—Blue	1	
	2204596	Listing Rail—No. 8—Red	1	
		Fixing Lug—Listing Rail		} Not supplied
	2204597	Tie Bracket—Listing Rail	2	
	9733086	Tapping Screw—No. 8 × 1/2" } Tie Bracket	4	
	9663102	Washer—3/8" shakeproof ... } to Body	4	
	9130032	Trim Clip	100	
	2204594	Finisher Strip (Aluminium)—Header	2	
	9772085	Tapping Screw—No. 6 × 1/2" } Finisher	8	
	9067120	Washer—3/8" plain ... } Strip	8	
A142	2121980	Headlining Retainer—Side	2	
		Headlining Retainer—Rear		} See Rear End
	9732086	Tapping Screw—No. 6 × 1/2"—Retainer to Body	42	
	2214501	VENTILATOR—ROOF	1	} Alternative to Part No. 2203974 Ventilator and fittings. Special Order only
	2214503	Gwaze	1	
	2214502	Collar } Required only with	1	
	2214504	Grille } Tropical Roof	1	
	9773086	Tapping Screw—No. 8 × 1/2" } Insulation	4	
	2215552	Reinforcing Ring—Not required with Tropical Insulation	1	
	19503042	Screw—No. 10 UNF. × 1/2"	4	
	9510031	Nut—No. 10 UNF. } Ventilator to Roof	4	
	9663123	Washer—3/8" shakeproof	4	
		Insulation—Roof—Bitumen Impregnated Rag Felt		
		Staple		
	2215553	Insulation Pad—Roof—Isolflex	1	} Alternative to Standard items when Tropical Insulation fitted. Special Order only
	2215554	Listing Rail—No. 1—Green	1	
	2215555	Listing Rail—Nos. 2, 3, 4 and 5—Yellow	4	
	2215556	Listing Rail—No. 6—Black	1	
	2215557	Listing Rail—No. 7—Blue	1	
		Listing Rail—No. 8—Red	1	} Not supplied
		Fixing Lug—Listing Rail		
		Note 1. Part Nos. H.114708/9 Striker Plates have Triangular Striker Projections.		
		Note 2. Part Nos. 2121922/3 Striker Plates have Radiused Striker Projections.		
		Note 3. Fitted to Vehicles with Part Nos. H.114708/9 Striker (Triangular Striker Projections).		
		Note 4. Fitted to Vehicles with Part Nos. 2121922/3 Striker (Radiused Striker Projections).		
		CHECK TYPE BEFORE ORDERING.		
		Note 5. Used prior to Chassis Nos. Listed in Note 6.		
		Note 6. Used on and after Chassis Nos.—1500/-/217874; CKD Chassis Nos.—1500/-/272515.		

**BODY — SIDE PANEL, ROOF AND FITTINGS — PASSENGER
(LIGHT BUS — CONTRACTORS BUS — STATION WAGON — CARAVAN)**

Plate Ref.	Part Number	DESCRIPTION	No. per Veh.	REMARKS
		<p>Note 7. Used prior to Chassis Nos. Listed in Note 8.</p> <p>Note 8. Used on and after Chassis Nos. 1500/-/ 227560—227562/7—227569/80— 227599/606—227609/18—227620/5— 227627/57—227660/2—227664/83— 227685 onwards. CKD—1500/-/275749.</p> <p>Note 9. Used prior to Chassis Nos. Listed in Note 10.</p> <p>Note 10. Introduction of Reinforced 3rd Door (Side Door) giving improved rigidity; used on and after Chassis Nos. 1500/-/ 227357/84—227386/9—227391/5— 227397/8—227400—227404/6— 227408/13—227415/8—227420/2— 227424/8—227430/2—227434/48— 227450/6—227458/70—227472/517— 227519/650—227632/7—227660/71— 227673/7—227679/702—227704/14— 227716/59—227762/80—227782/4— 227787/9—227799/811—227813/4— 227816/25—227827/38—227840— 227842/64—227866—227868/73— 227875/80—227882—227884— 227886—227888—227890— 227894/946—227948/50— 227952/3—227956/8—227960/86— 227987/228014—228016/7— 228019/21—228025— 228028 onwards. CKD—1500/-/275659/88—275701/66— 275785/802—275809/26— 275833/62—275869/74— 275881/98—275905/10 275917/46—275953/8— 275965 onwards.</p> <p>Note 11. Used on and after Chassis No. 1500/-/233842 — CKD—1500/-/277909.</p> <p>Special Note A. Introduction of design change to the Front Doors to accommodate the new Window Regulators and Channel Bottoms. The new Regulator with larger clutch cannot be fitted to the old Door Assembly but the old type Regulator can be fitted to the new Door Assembly.</p>		

**BODY — SIDE PANEL, ROOF AND FITTINGS — PASSENGER
(LIGHT BUS — CONTRACTORS BUS — STATION WAGON — CARAVAN)**

Plate Ref.	Part Number	DESCRIPTION	No. per Veh.	REMARKS	
		CARAVAN			
A1	2120540	BODY SIDE PANEL—O.S. (R.H.)	1	} R.H.D.	
A2	2122196	Rear Wheel Arch Extension Panel Assembly—O.S. (R.H.) ...	1		
	2218738	Rear Wheel Arch Panel Closing Assembly—O.S. (R.H.) ...	1		
	2222818	Rear Wheel Arch Panel Closing Assembly—O.S. (R.H.) ...	1		
A3	2122192	Seat Fixing Rail to Wheel Arch Bracket Assembly ...	1		
A4	2120543	Body Side Panel—N.S. (L.H.)	1		
	2122197	Rear Wheel Arch Extension Panel Assembly—N.S. (L.H.) ...	1		
	2218739	Rear Wheel Arch Panel Closing Assembly—N.S. (L.H.) ...	1		
	2222819	Rear Wheel Arch Panel Closing Assembly—N.S. (L.H.) ...	1		
	2122193	Seat Fixing Rail to Wheel Arch Bracket Assembly ...	1		
	2120542	Body Side Panel—O.S. (R.H.)	1		} L.H.D.
A2	2122196	Rear Wheel Arch Extension Panel Assembly—O.S. (R.H.) ...	1		
	2218738	Rear Wheel Arch Panel Closing Assembly—O.S. (R.H.) ...	1		
	2222818	Rear Wheel Arch Panel Closing Assembly—O.S. (R.H.) ...	1		
	2122192	Seat Fixing Rail to Wheel Arch Bracket Assembly ...	1		
	2120541	Body Side Panel—N.S. (L.H.)	1		
	2122197	Rear Wheel Arch Extension Panel Assembly—N.S. (L.H.) ...	1		
	2218739	Rear Wheel Arch Panel Closing Assembly—N.S. (L.H.) ...	1		
	2222819	Rear Wheel Arch Panel Closing Assembly—N.S. (L.H.) ...	1		
	2122193	Seat Fixing Rail to Wheel Arch Bracket Assembly ...	1		
A5		Gusset—Rear Door Aperture—O.S. (R.H.)		} Not supplied	
		Gusset—Rear Door Aperture—N.S. (L.H.)			
	2211434	Reinforcement—Waist Rail—Long	1	} Export	
	2211430	Reinforcement—Waist Rail Extension—Long—O.S. (R.H.)— R.H.D.	1		
	2211431	Reinforcement—Waist Rail Extension—Long—N.S. (L.H.)— L.H.D.	1		
	2211432	Reinforcement—Waist Rail—Short—O.S. (R.H.)—L.H.D. ...	1		
	2211433	Reinforcement—Waist Rail—Short—N.S. (L.H.)—R.H.D. ...	1		
	2228026	Vertical Stiffener Assembly—Front	2		} Late Condition
	2228033	Vertical Stiffener Assembly—Rear	2		
	2224026	Gusset—"D" Post—Waist Finisher	2		
	2224029	Gusset—"D" Post—Bottom Finisher—R.H.D.	1		
	2224028	Gusset—"D" Post—Bottom Finisher—L.H.D.	1		
	2225012	MOULDING—BODY SIDE PANEL—UPPER—N.S. (L.H.) —R.H.D.—40½" long	1		
	2225013	Moulding—Body Side Panel—Lower—N.S. (L.H.)—R.H.D.— 52½" long	1	} Not supplied	
	2225014	Moulding—Body Side Panel—Upper—O.S. (R.H.)—L.H.D.— 85½" long	1		
	2225015	Moulding—Body Side Panel—Lower—O.S. (R.H.)—L.H.D.— 97½" long	1		
	H.115790	Clip	A/R		
	9143024	Rivet—Clip	A/R		
A6	2121910	DRIP MOULDING—SIDE—O.S. (R.H.)—R.H.D.	1		
	2121913	Drip Moulding—Side—N.S. (L.H.)—R.H.D.	1		
	2121912	Drip Moulding—Side—O.S. (R.H.)—L.H.D.	1		
	2121911	Drip Moulding—Side—N.S. (L.H.)—L.H.D.	1		
A7	2120594	REAR CORNER PANEL—UPPER—O.S. (R.H.)	1		
	2120595	Rear Corner Panel—Upper—N.S. (L.H.)	1		
A8	2120598	Rear Corner Panel—Lower—O.S. (R.H.)	1	} Late Condition	
	2120599	Rear Corner Panel—Lower—N.S. (L.H.)	1		
	2224034	Gusset—Top—Rear Corner Panel	2		
	2224035	Gusset—Bottom—Rear Corner Panel	2		
	2225048	Plug Button—Rear Corner Panel—Lower	2		

**BODY — SIDE PANEL, ROOF AND FITTINGS — PASSENGER
(LIGHT BUS — CONTRACTORS BUS — STATION WAGON — CARAVAN)**

Plate Ref.	Part Number	DESCRIPTION	No. per Veh.	REMARKS
		CARAVAN—continued		
	2122174 (2216368)	"A" POST PANEL ASSEMBLY—O.S. (R.H.)	1	
	2216368 (2225628)	"A" Post Panel Assembly—O.S. (R.H.)	1	
	2225628	"A" Post Panel Assembly—O.S. (R.H.)	1	
	2121932	Drip Moulding—"A" Post—Upper—O.S. (R.H.)	1	
	2120732 (2216364)	Drip Moulding—"A" Post—Lower—O.S. (R.H.)	1	
	2216364	Drip Moulding—"A" Post—Lower—O.S. (R.H.)	1	
A9	2122175 (2216369)	"A" Post Panel Assembly—N.S. (L.H.)	1	
	2216369 (2225629)	"A" Post Panel Assembly—N.S. (L.H.)	1	
	2225629	"A" Post Panel Assembly—N.S. (L.H.)	1	
A10	2121933	Drip Moulding—Upper—N.S. (L.H.)	1	
A11	2120733 (2216365)	Drip Moulding—Lower—N.S. (L.H.)	1	
	2216365	Drip Moulding—Lower—N.S. (L.H.)	1	
A12	2120668	"A" Post Finisher—O.S. (R.H.)	1	
	2120669	"A" Post Finisher—N.S. (L.H.)	1	
	2120674	CANTRAIL—FRONT DOOR—O.S. (R.H.)	1	
A13	2120675	Cantrail—Front Door—N.S. (L.H.)	1	
A14	2120728	Cantrail Closing Panel—Front Door	2	} Early Condition
	2208378	Cantrail Protection Strip	2	
	2216384	Cantrail Closing Panel—Front Door—O.S. (R.H.)	1	} Late Condition
	2216385	Cantrail Closing Panel—Front Door—N.S. (L.H.)	1	
	2121908	Drip Moulding—Front Door—O.S. (R.H.)	1	
A15	2121909	Drip Moulding—Front Door—N.S. (L.H.)	1	
A16	2120512	Sill Panel—Front Door—O.S. (R.H.)	1	
	2120513	Sill Panel—Front Door—N.S. (L.H.)	1	
	H.107112	Buffer Sill Panel	2	
	2214721	STEP FRAME—FRONT DOOR—N.S. (L.H.)	1	} Home
	2214726	Washer Plate	2	
	39104120	Screw—1" UNF. × 1" } Step Frame	4	
	9067017	Washer—1" plain } to Body	4	
	9510040	Nut—1" UNF. } "	4	
	2214725	Finisher—Front Door Step—N.S. (L.H.)	1	
	2120586 (2228076)	"B" POST PANEL—O.S. (R.H.)	1	
	2120587 (2228077)	"B" Post Panel—N.S. (L.H.)	1	
	2228076	"B" Post Panel—O.S. (R.H.)	1	
	2228077	"B" Post Panel—N.S. (L.H.)	1	
	2120756	"B" Post Finisher—O.S. (R.H.)	1	
	2120757	"B" Post Finisher—N.S. (L.H.)	1	
	H.107112	Buffer—"B" Post Panel	2	See Note 7—Page 317
	2223056	Buffer—"B" Post Panel	1	} See Note 8—Page 317
	2223012	Packing Piece	A/R	
	39600166	Screw—No. 4 UNC. × 1" } "B" Post	4	
A19	2204946	DOOR PANEL ASSEMBLY—FRONT—O.S. (R.H.)	1	} See Note 7—Page 317
A20	2204947	Door Panel Assembly—Front—N.S. (L.H.)	1	
	2225098 (3021430)	Door Panel Assembly—Front—O.S. (R.H.)	1	} See Note 8 up to Note 11 and See Special Note A— Pages 317 and 318
	2225099 (3021429)	Door Panel Assembly—Front—N.S. (L.H.)	1	
	3021430	Door Panel Assembly—Front—O.S. (R.H.)	1	} See Note 11 and Special Note A—Page 318
A21	3021429	Door Panel Assembly—Front—N.S. (L.H.)	1	
	2202941	Glass—Dropping—Door—Front	2	
A22	2202953	Glass Run Channel—Top	2	
	9130104	Clip—Glass Channel	6	
A23	2202954	Glass Run Channel Assembly—Draughtless Ventilator— O.S. (R.H.)	1	

**BODY — SIDE PANEL, ROOF AND FITTINGS — PASSENGER
(LIGHT BUS — CONTRACTORS BUS — STATION WAGON — CARAVAN)**

Plate Ref.	Part Number	DESCRIPTION	No. per Veh.	REMARKS
		CARAVAN—continued		
A23	2202955	Glass Run Channel Assembly — Draughtless Ventilator — N.S. (L.H.) ...	1	
A24	2202956	Glass Run Channel Assembly—"B" Post—O.S. (R.H.) ...	1	
	2202957	Glass Run Channel Assembly—"B" Post—N.S. (L.H.) ...	1	
	9130104	Clip—Glass Channel ...	8	
	39303060	Screw—No. 10 UNF. × 1/2" } Glass ...	4	
	H.83295	Washer ... } Channel ...	4	
A25	2202942	Channel—Glass—Bottom ...	2	} Used prior to Note 11 and See Special Note A—Page 318
	3055927	Channel Bottom—O.S. (R.H.) ...	1	
	3055928	Channel Bottom—N.S. (L.H.) ...	1	} See Note 11 and Special Note A—Page 318
A25/1	2202991	Weatherstrip—Glass Channel—Bottom ...	2	
A26	2203223 (2215723)	Weatherstrip—Waist Rail ...	2	} Used prior to Chassis No. 1500/-/006434
	P.43647	Clip ...	8	
	2216402	Seal—Waist Rail—O.S. (R.H.) ...	1	} Used on and after Chassis No. 1500/-/008434 and up to Chassis No. 1500/-/015897
	2216403	Seal—Waist Rail—N.S. (L.H.) ...	1	
	9130071	Clip ...	10	
	2215723 (2216402/3)	Weatherstrip—Waist Rail ...	2	} Used on and after Chassis No. 1500/-/015897
	9130071	Clip ...	10	
	2122054	Glass Stop Bracket Assembly ...	2	} CKD 1500/-/72347
	P.49120 (9119595)	Plug—Drain Hole ...	8	
	2225008	Moulding—Door—Front—Upper—33" long ...	2	
	2225009	Moulding—Door—Front—Lower—24 1/2" long ...	2	
	H.115790	Clip ...	A/R	
	9143024	Rivet—Clip ...	A/R	
	2202934	DRAUGHTLESS VENTILATOR ASSEMBLY—O.S. (R.H.) ...	1	
	2202935	Draughtless Ventilator Assembly—N.S. (L.H.) ...	1	
A27		Outer Frame ...	2	Not supplied
A28	2202936	Glass ...	2	
A29	H.100670	Glazing Strip ...	A/R	Order in feet
A30		Inner Frame ...	2	Not supplied
A31	5037562	Top Pivot Bracket—Outer—O.S. (R.H.) ...	1	
	5037563	Top Pivot Bracket—Outer—N.S. (L.H.) ...	1	
A32	5037564	Top Pivot Bracket—Inner—O.S. (R.H.) ...	1	
	5037565	Top Pivot Bracket—Inner—N.S. (L.H.) ...	1	
A33	5037561	Locking Plate ...	2	
A34	H.89382	Locking Handle—O.S. (R.H.) ...	1	
	H.92375	Locking Handle—N.S. (L.H.) ...	1	
A35	K.23791	Waved Washer ...	4	
A36	K.23792	Grooved Pin ...	2	
A37	2208516	Weatherstrip—O.S. (R.H.) ...	1	
	2208517	Weatherstrip—N.S. (L.H.) ...	1	
	39602061	Screw—No. 8 UNC. × 1/2"—Ventilator to Door ...	6	
A38	2121934	WINDOW REGULATOR ASSEMBLY—O.S. (R.H.) ...	1	} Used prior to Note 11 and See Special Note A—Page 318
	2121935	Window Regulator Assembly—N.S. (L.H.) ...	1	
	2223070	Window Regulator Assembly—O.S. (R.H.) ...	1	} See Note 11 and Special Note A—Page 318
	2223071	Window Regulator Assembly—N.S. (L.H.) ...	1	
	39304081	Screw—1/4" UNF. × 1/4" } Regulator ...	8	
	9664163	Washer—1/4" shakeproof } to Door ...	8	

**BODY — SIDE PANEL, ROOF AND FITTINGS — PASSENGER
(LIGHT BUS — CONTRACTORS BUS — STATION WAGON — CARAVAN)**

Plate Ref.	Part Number	DESCRIPTION	No. per Veh.	REMARKS
		CARAVAN—continued		
A39	2218559	WINDOW REGULATOR HANDLE ASSEMBLY	2	
A40	H.114165	Escutcheon	2	
A41	2203160	Pad—Escutcheon	2	
A42	H.108236	Cross Pin	2	
A43	9122188	Pad—Handle Pin	2	
A44	5037588	LOCK ASSEMBLY—FRONT DOOR—O.S. (R.H.)	1	See Note 3— Page 317
A45	5037587	Lock Assembly—Front Door—N.S. (L.H.)	1	
A46	5037584	Link—Front Door—O.S. (R.H.)	1	See Note 4— Page 317
	5037583	Link—Front Door—N.S. (L.H.)	1	
	5037590	Remote Control Assembly—Front Door—O.S. (R.H.)	1	See Note 4— Page 317
	5037589	Remote Control Assembly—Front Door—N.S. (L.H.)	1	
	5038177	Lock Assembly—Front Door—O.S. (R.H.)	1	See Note 4— Page 317
	5038178	Lock Assembly—Front Door—N.S. (L.H.)	1	
	5038181	Link—Front Door—O.S. (R.H.)	1	See Note 4— Page 317
	5038182	Link—Front Door—N.S. (L.H.)	1	
	5038179	Remote Control Assembly—Front Door—O.S. (R.H.)	1	See Note 4— Page 317
	5038180	Remote Control Assembly—Front Door—N.S. (L.H.)	1	
	K.29918	Rivet	4	See Note 4— Page 317
	9075011	Waved Washer } Lock and Remote Control to Link	4	
	9071124	Shim	4	See Note 4— Page 317
	39303081	Screw—No. 10 UNF, × 1/2" } Lock and	12	
	9663122	Washer—1/8" shakeproof } Remote Control	12	
	9067010	Washer—1/8" plain	6	See Note 4— Page 317
	2203158	HANDLE ASSEMBLY—LOCKING—FRONT DOOR— OUTSIDE—O.S. (R.H.)	1	
	H.115971	Cylinder Lock } F.P.	1	When ordering always quote number stamped on lock
	H.111745	Key	2	
A47	2203159	Handle Assembly—Non-Locking—Front Door—Outside— N.S. (L.H.)	1	When ordering always quote number stamped on lock
A48	2218963	Attachment Plate	2	
A49	H.114768	Gasket	2	See Note 4— Page 317
	9663102	Washer—1/8" shakeproof } to Door	4	
	9550020	Nut—No. 8 UNC.	4	See Note 4— Page 317
A50	H.105472	HANDLE ASSEMBLY—FRONT DOOR—INSIDE	2	
A51	H.114165	Escutcheon—Handle to Door	2	See Note 4— Page 317
A52	2203160	Pad—Escutcheon	2	
A53	H.108236	Cross Pin	2	See Note 4— Page 317
A54	9122188	Pad—Handle Pin	2	
A55	2206460 (2228012)	TRIM PAD—RED—FRONT DOOR—O.S. (R.H.)	1	Not supplied
	2206461 (2228013)	Trim Pad—Red—Front Door—N.S. (L.H.)	1	
	2228012	Trim Pad—Red—Front Door—O.S. (R.H.)	1	Not supplied
	2228013	Trim Pad—Red—Front Door—N.S. (L.H.)	1	
	9131013	Piping—Trim Pad	30	Not supplied
A56	2121976	Clip—Trim Pad to Door	2	
	9731063	Trim Pad Retainer	2	Not supplied
	2214658	Tapping Screw—No. 4 × 1/2"—Retainer to Door	12	
	9762086	ASH BOWL—RED—FRONT DOOR	2	Not supplied
A57	2206222	LOOP—FRONT DOOR PULL	2	
A58	2206223	Plate—Door Pull Loop	2	Early Condition
	9733086	Screw—No. 8 × 1/2"	4	
	39802081	Screw—No. 8 UNC. × 1/2" } Loop to ... Early Models Door ... Late Models	4	Early Condition
	H.118625	Pull—Door	2	
	2221746	Tapped Plate—Door Pull	2	Late Condition
	39423122	Screw—Pull to Door	4	

**BODY — SIDE PANEL, ROOF AND FITTINGS — PASSENGER
(LIGHT BUS — CONTRACTORS BUS — STATION WAGON — CARAVAN)**

Plate Ref.	Part Number	DESCRIPTION	No. per Veh.	REMARKS
		CARAVAN—continued		
	2223093	BADGE—FRONT DOOR	2	} 2500 Series
	9132944	Friction Bush	4	
A59	2121960	HINGE—UPPER—FRONT DOOR—O.S. (R.H.)	1	} See Note 7— Page 317
	2121961	Hinge—Upper—Front Door—N.S. (L.H.)	1	
	2121962	Hinge—Lower—Front Door—O.S. (R.H.)	1	
A60	2121963	Hinge—Lower—Front Door—N.S. (L.H.)	1	
	39215120	Screw— $\frac{5}{8}$ " UNF. \times $\frac{1}{2}$ "—Hinge to Door	14	}
	39225144	Screw— $\frac{5}{8}$ " UNF. \times $\frac{1}{2}$ "—Hinge to "A" Post	12	
	2224042	Hinge—Upper—Front Door—O.S. (R.H.)	1	} See Note 8—Page 317
	2224043	Hinge—Upper—Front Door—N.S. (L.H.)	1	
	2224044	Hinge—Lower—Front Door—O.S. (R.H.)	1	
	2224045	Hinge—Lower—Front Door—N.S. (L.H.)	1	
	39215120	Screw— $\frac{5}{8}$ " UNF. \times $\frac{1}{2}$ "—Hinge to Door	14	
	39225184	Screw— $\frac{5}{8}$ " UNF. \times $\frac{1}{2}$ "—Hinge to "A" Post	12	
	39205064	Screw— $\frac{5}{8}$ " UNF. \times $\frac{1}{2}$ "—Hinge to Support Plate	4	
A61	2120678	Hinge Cover Plate—Upper—O.S. (R.H.)	1	
	2120679	Hinge Cover Plate—Upper—N.S. (L.H.)	1	
	2120680	Hinge Cover Plate—Lower—O.S. (R.H.)	1	
A62	2120681	Hinge Cover Plate—Lower—N.S. (L.H.)	1	
	9732086	Tapping Screw—No. 6 \times $\frac{1}{2}$ "—Cover Plate to "A" Post	16	
A63	2121998 (2225092)	CHECK ARM ASSEMBLY—FRONT DOOR	2	}
	2225092	Check Arm Assembly—Front Door	2	
	H.116241	Rivet—Check Arm to Door	2	}
A64	2120770	Bracket—Check Arm	2	
	19505052	Screw— $\frac{5}{8}$ " UNF. \times $\frac{1}{2}$ " } Bracket	4	}
	9664203	Washer— $\frac{5}{8}$ " shakeproof } to Body	4	
	H.114708	STRIKER—FRONT DOOR LOCK—O.S. (R.H.)	1	} See Note 1— Page 317
	H.114709	Striker—Front Door Lock—N.S. (L.H.)	1	
	2121922	Striker—Front Door Lock—O.S. (R.H.)	1	} See Note 2— Page—317
A65	2121923	Striker—Front Door Lock—N.S. (L.H.)	1	
	2218552	Washer—Packing—Striker Door Lock	A/R	}
	39104081	Screw— $\frac{1}{2}$ " UNF. \times $\frac{1}{2}$ "—Striker to Body	6	
	2202950	WEATHERSTRIP — FRONT DOOR APERTURE — O.S. (R.H.)	1	}
A66	2202951	Weatherstrip—Front Door Aperture—N.S. (L.H.)	1	
	P.49288	Clip—Weatherstrip	60	}
A67	2203131 (5200520)	GRAB HANDLE—"A" POST	2	
	39313101	Screw—No. 10 UNF. \times $\frac{1}{2}$ " } Grab Handle	4	}
	9663123	Washer— $\frac{5}{8}$ " shakeproof } to "A" Post	4	
A68	2120537	"B"—"C" POST PANEL—N.S. (L.H.)—R.H.D.	1	}
	2120536	"B"—"C" Post Panel—O.S. (R.H.)—L.H.D.	1	
	2225011	MOULDING—"B"—"C" POST PANEL—N.S. (L.H.)—R.H.D.—6 $\frac{1}{2}$ " long	2	}
	2225011	Moulding—"B"—"C" Post Panel—O.S. (R.H.)—L.H.D.—6 $\frac{1}{2}$ " long	2	
	H.115790	Clip	A/R	}
	9143024	Rivet—Clip	A/R	
A69	2122056	POST ASSEMBLY—SIDE DOOR—STRIKER—R.H.D.	1	} Early Condition Late Condition
	2225634	Post Assembly—Side Door—Striker—R.H.D.	1	
A70	2122061	Post Assembly—Side Door—Hinged—R.H.D.	1	} Order in Pairs
	2122099	Check Arm Bracket Assembly—R.H.D.	1	
A71	2122098	Check Arm Bracket Assembly—R.H.D.	1	
	2120784	Bracket—Upper Hinge—R.H.D.	1	
A72	2120630	Bracket—Lower Hinge—R.H.D.	1	} Early Condition Late Condition
A73	2122057	Post Assembly—Side Door—Striker—L.H.D.	1	
	2225635	Post Assembly—Side Door—Striker—L.H.D.	1	

**BODY — SIDE PANEL, ROOF AND FITTINGS — PASSENGER
(LIGHT BUS — CONTRACTORS BUS — STATION WAGON — CARAVAN)**

Plate Ref.	Part Number	DESCRIPTION	No. per Veh.	REMARKS
		CARAVAN—continued		
	2122069	Post Assembly—Side Door—Hinged—L.H.D. ...	1	} Order in Pairs
	2122099	Check Arm Bracket Assembly—L.H.D. ...	1	
	2122098	Check Arm Bracket Assembly—L.H.D. ...	1	
	2120785	Bracket—Upper Hinge—L.H.D. ...	1	
	2120631	Bracket—Lower Hinge—L.H.D. ...	1	
A74	2122086	Finisher Panel Assembly—"C" Post—R.H.D. ...	1	} Early Condition
	2122085	Finisher Panel Assembly—"C" Post—L.H.D. ...	1	
	39313061	Screw—No. 10 UNF. x 1/2" Blanking Hole—	2	
	9663123	Washer—3/8" shakeproof "C" Post Finisher	2	
	2122085	Finisher Panel Assembly—"D" Post—R.H.D. ...	1	} Late Condition
	2122086	Finisher Panel Assembly—"D" Post—L.H.D. ...	1	
	2228065	Finisher Panel Assembly—"D" Post—R.H.D. ...	1	} Late Condition
	2228064	Finisher Panel Assembly—"D" Post—L.H.D. ...	1	
A75	2120700	CANTRAIL—SIDE DOOR ...	1	
A76	2120778	Cantrail Closing Panel ...	1	
	2216549	Seal—Cantrail—Side Door ...	1	
A77	2121914	Drip Moulding—Side Door ...	1	
A78	2121995	Finisher Strip—Top—Side Door ...	1	
A79	2121945	Finisher Strip—"C" Post—R.H.D. ...	1	} Used prior to Chassis No. —See Note 9—Page 317
	2121944	Finisher Strip—"C" Post—L.H.D. ...	1	
A80	2121944	Finisher Strip—"D" Post—R.H.D. ...	1	
	2121945	Finisher Strip—"D" Post—L.H.D. ...	1	
	2228079	Finisher Strip—Upper "C" Post—R.H.D. ...	1	} Used on and after Chassis No.—See Note 10—Page 317
	2228081	Finisher Strip—Lower "C" Post—R.H.D. ...	1	
	2228078	Finisher Strip—Upper "C" Post—L.H.D. ...	1	
	2228080	Finisher Strip—Lower "C" Post—L.H.D. ...	1	
	2228078	Finisher Strip—Upper "D" Post—R.H.D. ...	1	
	2228080	Finisher Strip—Lower "D" Post—R.H.D. ...	1	
	2228079	Finisher Strip—Upper "D" Post—L.H.D. ...	1	
	2228081	Finisher Strip—Lower "D" Post—L.H.D. ...	1	
A81	2204514	TREAD PLATE—SILL—SIDE DOOR ...	1	
	9763085	Tapping Screw—No. 8 x 1/2"—Tread Plate ...	4	
A82	2204973 (2228095)	DOOR PANEL ASSEMBLY—SIDE—N.S. (L.H.)—R.H.D.	1	} See Note 9—Page 317
	2204972 (2228094)	Door Panel Assembly—Side—O.S. (R.H.)—L.H.D. ...	1	
	2228095	Door Panel Assembly—Side—N.S. (L.H.)—R.H.D. ...	1	} See Note 10—Page 317
	2228094	Door Panel Assembly—Side—O.S. (R.H.)—L.H.D. ...	1	
A83	2203342	Glass—Side Door ...	1	} Home—Standard
A84	2203343	Weatherstrip—Side Door Glass ...	1	
	2229006	MOULDING—DOOR—SIDE—UPPER—33" long ...	1	} Early Condition
	2225010	Moulding—Door—Side—Lower—37" long ...	1	
	H.115790	Clip ...	A/R	
	9143024	Rivet—Clip ...	A/R	
	2206781 (2216989)	WINDOW ASSEMBLY—SLIDING—SIDE DOOR—N.S. (L.H.)—R.H.D. ...	1	} Export—Standard ; Home—Special Order only Intermediate Condition
	2206780 (2216988)	Window Assembly—Sliding—Side Door—O.S. (R.H.)—L.H.D.	1	
	2206782	Glass—Sliding ...	1	
	2206783	Glass—Fixed ...	1	
	2208573	Catch Assembly—N.S. (L.H.)—R.H.D. ...	1	
	2208572	Catch Assembly—O.S. (R.H.)—L.H.D. ...	1	
	39601041	Screw—No. 6 UNC. x 1/2"—Catch to Frame ...	2	
	2203262	Striking Plate ...	1	
	2206784	Filler Strip—Rubber ...	1	
	2203294	Channel Seal—Rubber ...	1	

**BODY — SIDE PANEL, ROOF AND FITTINGS — PASSENGER
(LIGHT BUS — CONTRACTORS BUS — STATION WAGON — CARAVAN)**

Plate Ref.	Part Number	DESCRIPTION	No. per Veh.	REMARKS
		CARAVAN—continued		
		WINDOW ASSEMBLY—SLIDING—SIDE DOOR—continued		
	2203291	Spring—Channel	1	} Export—Standard; Home—Special Order only Intermediate Condition
	2206388	Backing Plate	2	
	39001031	Screw—4 BA × 5/8"—Backing Plate	8	
	2208148	Weatherstrip—Sliding Window—Side Door	1	
	2216989	WINDOW ASSEMBLY—SLIDING—SIDE DOOR—N.S. (L.H.)—R.H.D.	1	} Export—Standard ; Home—Special Order only Late Condition
	2216988	Window Assembly—Sliding—Side Door—O.S. (R.H.)—L.H.D.	1	
	2216999	Glass—Sliding	1	
	2206783	Glass—Fixed	1	
	2216993	Catch Assembly	1	
	39001064	Screw—4 BA × 1"—Finger Pull to Running Channel	2	
	2216998	Finger Pull	1	
	2206784	Filter Strip—Rubber	1	
	2203294	Channel Seal—Rubber	1	
	2203291	Spring—Channel	1	
	2206388	Backing Plate	2	
	39001031	Screw—4 BA × 5/8"—Backing Plate	8	
	2208148	Weatherstrip—Sliding Window—Side Door	1	
A85	5037587	LOCK ASSEMBLY—SIDE DOOR—N.S. (L.H.)—R.H.D. ...	1	} See Note 3— Page 317
	5037588	Lock Assembly—Side Door—O.S. (R.H.)—L.H.D.	1	
	5037585	Link—Side Door—N.S. (L.H.)—R.H.D.	1	
	5037586	Link—Side Door—O.S. (R.H.)—L.H.D.	1	
	5037589	Remote Control Assembly—Side Door—N.S. (L.H.)—R.H.D.	1	
	5037590	Remote Control Assembly—Side Door—O.S. (R.H.)—L.H.D.	1	
	5038178	Lock Assembly—Side Door—N.S. (L.H.)—R.H.D.	1	} See Note 4— Page 317
	5038177	Lock Assembly—Side Door—O.S. (R.H.)—L.H.D.	1	
	5038183	Link—Side Door—N.S. (L.H.)—R.H.D.	1	
	5038184	Link—Side Door—O.S. (R.H.)—L.H.D.	1	
	5038180	Remote Control Assembly—Side Door—N.S. (L.H.)—R.H.D.	1	
	5038179	Remote Control Assembly—Side Door—O.S. (R.H.)—L.H.D.	1	
	K. 29918	Rivet	2	
	9075011	Waved Washer } Lock and Remote Control to Link	2	
	9071124	Shim	2	
	2122068	Remote Control Bracket Assembly—Side Door—N.S. (L.H.)— R.H.D.	1	
	2122069	Remote Control Bracket Assembly—Side Door—O.S. (R.H.)— L.H.D.	1	
	39303081	Screw—No. 10 UNF. × 1/2" } Lock and	6	
	9664122	Washer—5/8" shakeproof } Remote Control	6	
	9067010	Washer—5/8" plain	3	
	39304081	Screw—1/2" UNF. × 1/2" } Remote Control	6	
	9664163	Washer—1/2" shakeproof } Bracket to	6	
	9067017	Washer—1/2" plain	3	
A88	2203159	HANDLE ASSEMBLY—SIDE DOOR—OUTSIDE ...	1	} Side Door Handle
A89	2218963	Attachment Plate	1	
A90	H.114768	Gasket	1	
	9663102	Washer—5/8" shakeproof } to Door	2	
	9550020	Nut—No. 8 UNC.	2	

**BODY — SIDE PANEL, ROOF AND FITTINGS — PASSENGER
(LIGHT BUS — CONTRACTORS BUS — STATION WAGON — CARAVAN)**

Plate Ref.	Part Number	DESCRIPTION	No. per Veh.	REMARKS
CARAVAN—continued				
A91	H.105472	HANDLE ASSEMBLY—SIDE DOOR—INSIDE	1	
A92	H.114145	Escutcheon	1	
A93	2203160	Pad—Escutcheon	1	
A94	H.108236	Cross Pin	1	
A95	9122188	Rubber Pad	1	
A96	2206462 (2228025)	TRIM PAD—RED—SIDE DOOR	1	
	2228025	Trim Pad—Red—Side Door	1	
		Piping—Trim Pad		Not supplied
	9131013	Clip—Trim Pad to Door	17	
A97	2121976	Trim Pad Retainer—Side Door	1	
	9731063	Tapping Screw—No. 4 × 1/2"—Retainer to Door	6	
	2206222	LOOP—SIDE DOOR PULL	1	
	2206223	Plate—Door Pull Loop	1	Early Condition
	39802081	Screw—No. 8 UNC. × 1/2"—Loop to Door	2	
	H.118625	Pull—Door	1	
	2221746	Tapped Plate—Door Pull	1	Late Condition
	39423122	Screw—Pull to Door	2	
	2214658	ASH BOWL—RED—SIDE DOOR	1	
	9762086	Tapping Screw—No. 6 × 1/2"	3	
A98	2122049	HINGE—UPPER—SIDE DOOR—N.S. (L.H.)—R.H.D.	1	
A99	2122047	Hinge—Lower—Side Door—N.S. (L.H.)—R.H.D.	1	
	2122048	Hinge—Upper—Side Door—O.S. (R.H.)—L.H.D.	1	
	2122046	Hinge—Lower—Side Door—O.S. (R.H.)—L.H.D.	1	
	19105229	Bolt—5/8" UNF. × 2 1/2"	2	
	19105139	Bolt—5/8" UNF. × 1 1/2"	2	
	9510051	Nut—5/8" UNF.	4	
	9664203	Washer—Shakeproof	4	
	39305104	Screw—5/8" UNF. × 1/2"	7	
	9664203	Washer—5/8" shakeproof	7	
	2214788	Seal—Rubber—Side Door Hinge	2	
	2214787	Retainer—Seal	2	
	9722065	Tapping Screw—Retainer—No. 6 × 1/2"	4	
A100	2121994	CHECK ARM ASSEMBLY—SIDE DOOR	1	
	H.116241	Rivet—Check Arm to Body	1	
	H.114709	STRIKER—SIDE DOOR LOCK—N.S. (L.H.)—R.H.D.	1	See Note 1—Page 317
	H.114708	Striker—Side Door Lock—O.S. (R.H.)—L.H.D.	1	
A101	2121923	Striker—Side Door Lock—N.S. (L.H.)—R.H.D.	1	See Note 2—Page 317
	2121922	Striker—Side Door Lock—O.S. (R.H.)—L.H.D.	1	
	2218552	Washer—Packing—Striker—Door Lock	A/R	
	39104081	Screw—1/2" UNF. × 1/2"—Striker to Body	3	
A102	2203241	WEATHERSTRIP—SIDE DOOR	1	
A103	2203131	Grab Handle—"D" Post	1	
	39313101	Screw—No. 10 UNF. × 1/2"	2	
	9663123	Washer—5/8" shakeproof	2	
A104	2203342	WINDOW GLASS—SIDE—FRONT	1	Home—Standard ;
A105	2203343	Weatherstrip—Glass—Side—Front	1	Early Condition
	2206780 (2216988)	WINDOW ASSEMBLY — SLIDING — SIDE — FRONT — O.S. (R.H.) — R.H.D.	1	
	2206781 (2216989)	Window Assembly—Sliding—Side—Front—N.S. (L.H.)—L.H.D.	1	Export—Standard ;
	2206782	Glass—Sliding	1	Home—Special
	2206783	Glass—Fixed	1	Order only
	2208572	Catch Assembly—O.S. (R.H.)—R.H.D.	1	Intermediate Condition
	2208573	Catch Assembly—N.S. (L.H.)—L.H.D.	1	
	39601041	Screw—No. 6 UNC. × 1/2"—Catch to Frame	2	

**BODY — SIDE PANEL, ROOF AND FITTINGS — PASSENGER
(LIGHT BUS — CONTRACTORS BUS — STATION WAGON — CARAVAN)**

Plate Ref.	Part Number	DESCRIPTION	No. per Veh.	REMARKS	
		CARAVAN—continued			
	2203262	Striking Plate	1	} Export—Standard ; Home—Special Order only Intermediate Condition	
	2206784	Filler Strip—Rubber	1		
	2203294	Channel Seal—Rubber	1		
	2203291	Spring—Channel	1		
	2206388	Backing Plate	4		
	39001031	Screw—4 BA × $\frac{3}{8}$ "—Backing Plate	8		
	2208148	Weatherstrip—Sliding Window—Side—Front	1		
	2216988	WINDOW ASSEMBLY — SLIDING — SIDE — FRONT — O.S. (R.H.)—R.H.D.	1		} Export—Standard ; Home—Special Order only Late Condition
	2216989	Window Assembly—Sliding—Side—Front—N.S. (L.H.)— L.H.D.	1		
	2216999	Glass—Sliding	1		
	2206783	Glass—Fixed	1		
	2216993	Catch Assembly	1		
	39001064	Screw—4 BA × $\frac{1}{2}$ "—Finger Pull to Running Channel	2		
	2216998	Finger Pull	1		
	2206784	Filler Strip—Rubber	1		
	2203294	Channel Seal—Rubber	1		
	2203291	Spring—Channel	1		
	2206388	Backing Plate	2		
	39001031	Screw—4 BA × $\frac{3}{8}$ "—Backing Plate	8		
	2208148	Weatherstrip—Sliding Window—Side—Front	1		
	2203300 (2217540)	WINDOW ASSEMBLY — SLIDING — INTERMEDIATE — O.S. (R.H.)	1		
A106	2203301 (2217541)	Window Assembly—Sliding—Intermediate—N.S. (L.H.)	1		
A107	2203197	Glass—Sliding	2		
A108	2203306	Glass—Fixed	2		
	2208572	Catch Assembly—O.S. (R.H.)	1		
A109	2208573	Catch Assembly—N.S. (L.H.)	1		
	39601041	Screw—No. 6 UNC, × $\frac{1}{2}$ "—Catch to Frame	4		
A110	2203262	Striking Plate	2		
	2203295	Filler Strip—Rubber	2		
	2203294	Channel Seal—Rubber	2		
	2203291	Spring—Channel	2		
	2206388	Backing Plate	4		
	39001031	Screw—4 BA × $\frac{3}{8}$ "—Backing Plate	16		
A111	2203297	Weatherstrip—Sliding Window—Intermediate	2		
	2217542 (2217540)	WINDOW ASSEMBLY — SLIDING — INTERMEDIATE — O.S. (R.H.)	1	} Early Models	
	2217543 (2217541)	Window Assembly—Sliding—Intermediate—N.S. (L.H.)	1		
	2217548	Glass—Sliding	2		
	2203306	Glass—Fixed	2		
	2216993	Catch Assembly	2		
	39001064	Screw—4 BA × $\frac{1}{2}$ "—Finger Pull to Running Channel	4		
	2216998	Finger Pull	2		
	2206784	Filler Strip—Rubber	2		
	2203294	Channel Seal—Rubber	2		
	2203291	Spring Channel	2		
	2206388	Backing Plate	4		
	39001031	Screw—4 BA × $\frac{3}{8}$ "—Backing Plate	16		
	2208148	Weatherstrip—Sliding Window—Intermediate	2		
	2217542 (2217540)	WINDOW ASSEMBLY — SLIDING — INTERMEDIATE — O.S. (R.H.)	1		} Late Models
	2217543 (2217541)	Window Assembly—Sliding—Intermediate—N.S. (L.H.)	1		
	2217548	Glass—Sliding	2		
	2203306	Glass—Fixed	2		
	2216993	Catch Assembly	2		
	39001064	Screw—4 BA × $\frac{1}{2}$ "—Finger Pull to Running Channel	4		
	2216998	Finger Pull	2		
	2206784	Filler Strip—Rubber	2		
	2203294	Channel Seal—Rubber	2		
	2203291	Spring Channel	2		
	2206388	Backing Plate	4		
	39001031	Screw—4 BA × $\frac{3}{8}$ "—Backing Plate	16		
	2208148	Weatherstrip—Sliding Window—Intermediate	2		

**BODY — SIDE PANEL, ROOF AND FITTINGS — PASSENGER
(LIGHT BUS — CONTRACTORS BUS — STATION WAGON — CARAVAN)**

Plate Ref.	Part Number	DESCRIPTION	No. per Veh.	REMARKS
		CARAVAN—continued		
A112	2203318	WINDOW GLASS—SIDE—REAR—O.S. (R.H.)	1	} See Note 5— Page 317
	2203319	Window Glass—Side—Rear—N.S. (L.H.)	1	
	2203320	Weatherstrip—Glass—Side—Rear—O.S. (R.H.)	1	
A113	2203321	Weatherstrip—Glass—Side—Rear—N.S. (L.H.)	1	
	2215268	Window Glass—Side—Rear—O.S. (R.H.)	1	} See Note 6— Page 317
	2215269	Window Glass—Rear—Side—N.S. (L.H.)	1	
	2215270	Weatherstrip—Glass—Side—Rear—O.S. (R.H.)	1	
	2215271	Weatherstrip—Glass—Side—Rear—N.S. (L.H.)	1	
A114	2120740	FINISHER PANEL—FRONT	2	} Early Condition
A115	2120708	Finisher Panel—Window—Front	1	
A116	2120705	Finisher Panel—Window—Centre	2	
	2228060	Finisher Panel—Window—Front—R.H.D.	1	} Late Condition
	2228061	Finisher Panel—Window—Front—L.H.D.	1	
	2228051	Finisher Panel—Window—Centre	2	
A117	2120706	Finisher Panel—Window—Intermediate—Rear—O.S. (R.H.)	1	} Early Condition
	2120707	Finisher Panel—Window—Intermediate—Rear—N.S. (L.H.)	1	
	2225058	Finisher Panel—Window—Intermediate—O.S. (R.H.)...	1	} Late Condition
	2225059	Finisher Panel—Window—Intermediate—N.S. (L.H.)...	1	
A118	2120710	Finisher Panel—Window—Rear Corner—O.S. (R.H.)...	1	} Early Condition
	2120711	Finisher Panel—Window—Rear Corner—N.S. (L.H.)...	1	
A119	9732086	Tapping Screw—No. 6 × 1/2"—Finisher to Rear Pillar ...	12	} Late Condition
	2204580	PANEL—INTERIOR—REAR CORNER—O.S. (R.H.)	1	
	2204581	Panel—Interior—Rear Corner—N.S. (L.H.)	1	
	9774126	Tapping Screw—No. 10 × 1/2" } Rear Corner	16	
	9067094	Washer—5/8" plain } Panel—Interior	16	
A120	2206406	PANEL COVER—REAR LAMP—O.S. (R.H.)	1	
	2206407	Panel Cover—Rear Lamp—N.S. (L.H.)	1	
	9020036	Spire Nut } Rear Lamp	12	
	9732043	Tapping Screw—No. 6 × 1/2" } Cover Panel	12	
A121	2122096	SEAT FIXING RAIL ASSEMBLY—LONG—O.S. (R.H.)— R.H.D.	1	
	2122095	Seat Fixing Rail Assembly—Short—N.S. (L.H.)—R.H.D.	1	
	2122094	Seat Fixing Rail Assembly—Short—O.S. (R.H.)—L.H.D.	1	
	2122097	Seat Fixing Rail Assembly—Long—N.S. (L.H.)—L.H.D.	1	
	2225052	Seat Fixing Rail Assembly—Long—O.S. (R.H.)—R.H.D.	1	} Late Condition
	2225051	Seat Fixing Rail Assembly—Short—N.S. (L.H.)—R.H.D.	1	
	2225050	Seat Fixing Rail Assembly—Short—O.S. (R.H.)—L.H.D.	1	
	2225053	Seat Fixing Rail Assembly—Long—N.S. (L.H.)—L.H.D.	1	
	19504052	Screw—1/2" UNF. × 1/2"	6	
	9067097	Washer—1" plain } Rail—Rear End to Wheelarch	6	
	9664163	Washer—1" shakeproof	6	
A122	2206719 (2228024)	TRIM PAD—RED—"B"—"C" POST	1	} Early Condition
	2228024	Trim Pad—Red—"B"—"C" Post	1	
	9131013	Clip—Trim Pad to Side Panel	30	
	9762065	Tapping Screw—No. 6 × 1/2" } Trim Pad to	6	
	9670613	Cup Washer—No. 6 } Side Panel	6	
A126	2121977	Trim Pad Retainer—Long—O.S. (R.H.)—R.H.D.	1	} Early Condition
	2121978	Trim Pad Retainer—Short—N.S. (L.H.)—R.H.D.	1	
	2121978	Trim Pad Retainer—Short—O.S. (R.H.)—L.H.D.	1	
	2121977	Trim Pad Retainer—Long—N.S. (L.H.)—L.H.D.	1	
A127	2120723	Trim Pad Channel Support—Wheel Arch	2	

**BODY — SIDE PANEL, ROOF AND FITTINGS — PASSENGER
(LIGHT BUS — CONTRACTORS BUS — STATION WAGON — CARAVAN)**

Plate Ref.	Part Number	DESCRIPTION	No. per Veh.	REMARKS
CARAVAN—continued				
A128	2120655	Trim Pad Channel Support—Side	3	
	19504052	Screw— $\frac{1}{4}$ " UNF. \times $\frac{1}{2}$ " } Seat Fixing Rail Channel	2	
	9664163	Washer— $\frac{1}{4}$ " Internal } Support to Trim Pad	2	
A129	2214658	ASH BOWL—RED—REAR COMPARTMENT	3	
	9762086	Tapping Screw—No. 6 \times $\frac{1}{4}$ " } Ash	9	
	9020000	Spire Nut } Bowl	9	
	2216640	MIRROR—INTERIOR	1	
	39203105	Screw—No. 10 UNF. \times $\frac{1}{2}$ " } Mirror to	1	
	9724125	Screw—No. 10 UNF. \times $\frac{1}{2}$ " } Header	1	
A130	5037591	MIRROR—EXTERIOR	2	
	2216970	Mirror Assembly—Exterior—R.H.	1	} N. America ; } Used on and after Chassis } No. 1500/-015543
	2216971	Mirror Assembly—Exterior—L.H.	1	
	5037596	Nut—Mirror Head Fixing	2	
	5038034	Mirror Arm—O.S. (R.H.)	1	
A131	5038035	Mirror Arm—N.S. (L.H.)	1	
A132	9022035	Nut—Domed	2	
A133	5037593	Clamp	2	
	5037597	Sleeve ... } Mirror Arm Fixing	2	
A134	2203384	Bracket	2	
A135	2203234	Bolt	2	
	39313101	Screw—No. 10 UNF. \times $\frac{1}{2}$ " } Mirror	4	
	9663123	Washer— $\frac{3}{8}$ " shakeproof } to Door	4	
A136	2120500	ROOF PANEL—FRONT	1	
	2120501	Roof Panel—Rear	1	
	2120624	Roof Swage Support Bracket	6	
	2120729	Roof Lamp Bracket	4	
	9772085	Tapping Screw—No. 6 \times $\frac{1}{4}$ " } Finisher	8	
	9067120	Washer— $\frac{3}{8}$ " plain ... } Strip	8	
A142	2121980	Headlining Retainer—Side	2	
		Headlining Retainer—Rear		See Rear End
	9732086	Tapping Screw—No. 6 \times $\frac{1}{4}$ "—Retainer to Body	42	
B143	2208715	RIISING ROOF ASSEMBLY	1	} See Note 5—Page 317
B144	2208718	Ventilator—Rising Roof	1	
B145	2208719 (2224980)	Stay—Ventilator	2	
	39303081	Screw—No. 10 UNF. \times $\frac{1}{2}$ " } Stay to	8	
	9510031	Nut—No. 10 UNF. } Ventilator	8	
	9067094	Washer— $\frac{3}{8}$ " plain ... } and Roof	4	
	9122018	Washer—Rubber ... }	4	
	9663123	Washer— $\frac{3}{8}$ " shakeproof ... }	8	
		Storm Wires Assembly ... } Early Models		
		Anchor Plate—Storm Wires ... } only		
	2208712	Listing Rail—Rising Roof	3	} Not supplied
	2215064	RIISING ROOF ASSEMBLY	1	} See Note 6—Page 317
	2215066	Ventilator—Rising Roof	1	
	2208719 (2224980)	Stay—Ventilator	2	
	39303081	Screw—No. 10 UNF. \times $\frac{1}{2}$ " } Stay to	8	
	9510031	Nut—No. 10 UNF. } Ventilator	8	
	9067094	Washer— $\frac{3}{8}$ " plain ... } and Roof	4	
	9122018	Washer—Rubber ... }	8	
	9663123	Washer— $\frac{3}{8}$ " shakeproof ... }	8	
	2215170	Retaining Bracket Assembly ... }	4	
	2215056	Listing Rail ... } Rising Roof	3	
	2216946	Weatherstrip	1	

**BODY — SIDE PANEL, ROOF AND FITTINGS — PASSENGER
(LIGHT BUS — CONTRACTORS BUS — STATION WAGON — CARAVAN)**

Plate Ref.	Part Number	DESCRIPTION	No. per Veh.	REMARKS
		CARAVAN—continued		
B146	2208772	BULKHEAD LOCKER BRACKET—FRONT	1	} 2-Berth only See Note 5 Page 317
B147	2208771	Bulkhead Locker Bracket—Rear	2	
B148	2204079	DETACHABLE TRAY ASSEMBLY—BATTERY—SIDE—R.H.D.	1	
	2204080	Detachable Tray Assembly—Battery—Side—L.H.D.	1	
B149	2204082	Detachable Tray Assembly—Centre	1	
	2204086	Stop—Centre	1	
	2204078	Detachable Tray Assembly—Tools—Side—R.H.D.	1	
	2204077	Detachable Tray Assembly—Tools—Side—L.H.D.	1	
B150	2510545	HAMMOCK STRAP	2	
	9129006	Turnbution—Hammock Strap	2	
	9761085	Screw—Turnbution to Tube	4	
B151	2208707	Retaining Bracket—Hammock	4	} 4-Berth only
B152	2510542	Single Bed Retaining Strap	1	
B153	9129006	Turnbution—Retaining Strap	2	
	9761085	Screw—No. 4 × ½—Turnbution	4	
B154	2208778	Single Bed Retaining Plate	1	
	2215100	Hammock Support Bracket—Front—O.S. (R.H.)	1	} See Note 6— Page 317
	2215101	Hammock Support Bracket—Front—N.S. (L.H.)	1	
	2215102	Hammock Support Bracket—Rear—O.S. (R.H.)	1	
	2215103	Hammock Support Bracket—Rear—N.S. (L.H.)	1	
	2510545	Hammock Strap	2	
	9126006	Turnbution—Hammock Strap	2	
	9761085	Screw—Turnbution to Tube	4	
	2215154	Bracket—Hammock Storage	2	
	2208707	HAMMOCK RETAINING BRACKET	4	
	2510545	Hammock Strap	2	
	9129006	Turnbution—Hammock Strap	2	
	9761085	Strap—Turnbution to Tube	4	
B155	2208757	TABLE ASSEMBLY—FOLDING LEG	1	} See Note 5— Page 317
B156	9178127	Clip—Folding Leg	1	
	2215251	TABLE ASSEMBLY—FOLDING LEG—DOUBLE	1	} Used on and after Chassis Nos. listed in Note 6— Page 317—up to introduction of 1500/LBF/Series II
	2215252	Table—Folding Leg—Assembly—Single	1	
	2215152	Table Retainer Assembly Complete	1	
		TABLE ASSEMBLY		} Not supplied } 1500 Series II
B157	2215297	Block Rest—Single Leg	2	
B158		Plastic Catch—Block Rest	2	
B159		Table Underframe Assembly	1	
B160		Table Leg—Double	1	
B161	2215258	Table Leg—Single	1	
B162	2224989	Hinge Lock	2	} See Note 5—Page 317
B163	2209416	Rubber Plug—Leg End	6	
B164	2209451	JACK SECURING BRACKET	1	
		Jack Securing Strap	1	
	39103122	Screw—No. 10 UNF. × 1"	2	
	9510031	Nut—No. 10 UNF.	2	
	9663123	Washer—¾" shakeproof	2	
B165	2209956	Washer Plate—Jack Securing	1	
B166	2209417	Jack Handle Support Bracket	1	
	2215149	Jack Securing Strap	1	
		Bag—Jack	1	

**BODY — SIDE PANEL, ROOF AND FITTINGS — PASSENGER
(LIGHT BUS — CONTRACTORS BUS — STATION WAGON — CARAVAN)**

Plate Ref.	Part Number	DESCRIPTION	No. per Veh.	REMARKS
		CARAVAN—continued		
B167	2213952 (2215918)	Roof Rack Assembly (Interior Dimensions—46½" × 30½") ...		{ See Note 5—Page 317 —Special Order only No longer supplied
B168	2224991	Globe—Strilight	1	
		<p>Note 1. Part Nos. H.114708/9 Striker Plates have Triangular Striker Projections.</p> <p>Note 2. Part Nos. 2121922/3 Striker Plates have Radiused Striker Projections.</p> <p>Note 3. Fitted to Vehicles with Part Nos. H.114708/9 Striker (Triangular Striker Projections).</p> <p>Note 4. Fitted to Vehicles with Part Nos. 2121922/3 Striker (Radiused Striker Projections). CHECK TYPE BEFORE ORDERING.</p> <p>Note 5. Used prior to Chassis Nos. listed in Note 6.</p> <p>Note 6. Used on and after Chassis Nos.—1500/-/217874; CKD Chassis Nos.—1500/-/272515.</p> <p>Note 7. Used prior to Chassis Nos. listed in Note 8.</p> <p>Note 8. Used on and after Chassis Nos.1500/-/227560—227562/7—227569/90—227599/606—227609/18—227620/5—227627/57—227660/2—227664/83—227685 onwards. CKD 1500/-/275749</p> <p>Note 9. Used prior to Chassis Nos. listed in Note 10.</p> <p>Note 10. Introduction of Reinforced 3rd Door (Side Door) giving improved rigidity; used on and after Chassis Nos. 1500/-/227357/84—227386/9—227391/5—227397/8—227400—227404/6—227408/13—227415/8—227420/2—227424/8—227430/2—227434/48—227450/6—227458/70—227472/517—227519/650—227652/7—227660/71—227673/7—227679/702—227704/14—227716/59—227762/80—227782/4—227787/9—227799/811—227813/4—227816/25—227827/38—227840—227842/64—227866—227868/73—227875/80—227882—227884—227886—227888—227890—227894/946—227948/50—227952/3—227956/8—227960/86—227987/228014—228016/7—228019/21—228025—228028 onwards.</p>		

**BODY — SIDE PANEL, ROOF AND FITTINGS — PASSENGER
(LIGHT BUS — CONTRACTORS BUS — STATION WAGON — CARAVAN)**

Plate Ref.	Part Number	DESCRIPTION	No. per Veh.	REMARKS
		<p align="center">CARAVAN—continued</p> <p>CKD—1500/-/275659/88—275701/66— 275785/802—275809/26— 275833/62—275869/74— 275881/98—275905/10— 275917/46—275953/8— 275965 onwards.</p> <p>Note H. Used on and after Chassis No. 1500/-/233842 — CKD 1500/-/277909.</p> <p>Special Note A. Introduction of design change to the Front Doors to accommodate the new Window Regulators and Channel Bottoms. The new Regulator with larger clutch cannot be fitted to the old Door Assembly but the old type Regulator can be fitted to the new Door Assembly.</p>		

BODY—MECHANICAL STEP
PASSENGER MODELS

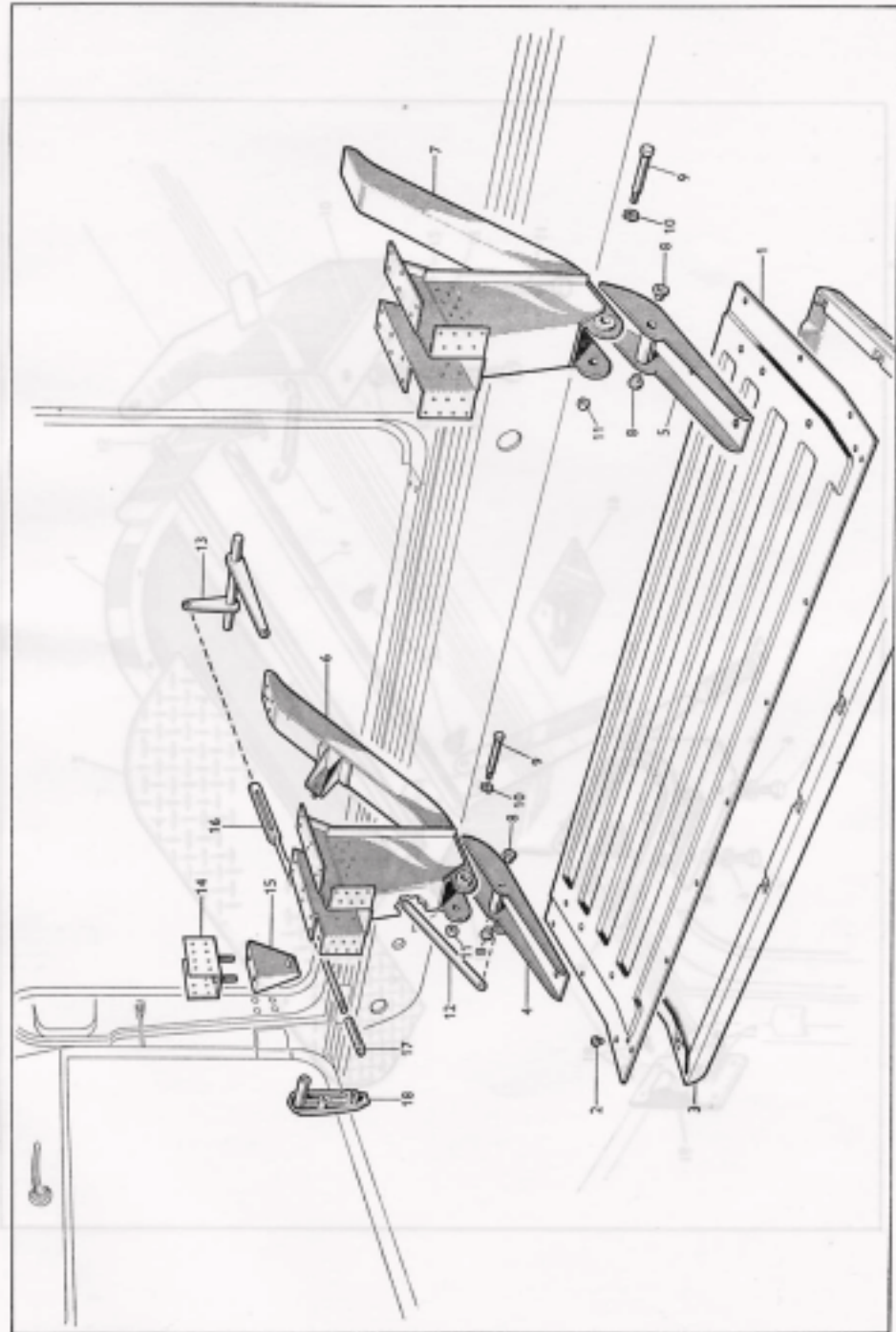


PLATE A

BODY — MECHANICAL STEP — PASSENGER MODELS

Plate Ref.	Part Number	DESCRIPTION	No. per Veh.	REMARKS
A1	2205711	PANEL ASSEMBLY—INNER—STEP	1	} See Note 1 } See Note 2 Used prior to Chassis No. 1500/LBF/229689
A2	9119029	Rubber Plug	2	
A3	2205716	Panel—Outer—Step	1	
	9733083	Tapping Screw—No. 8 × ½" } Outer Panel	15	
	9067007	Washer—½" plain } to	15	
	9020039	Spire Nut } Inner Panel	11	
A4	2205731	HINGE LEAF ASSEMBLY—STEP—FRONT—R.H.D. ...	1	
	2205730	Hinge Leaf Assembly—Step—Front—L.H.D. ...	1	
A5	2208416	Hinge Leaf Assembly—Step—Rear	1	
	19505052	Screw—½" UNF. × ½" } Hinge Leaf	6	
	9664203	Washer—½" shakeproof } to Step	6	
A6	2205709	SUPPORT ASSEMBLY—STEP HINGE—FRONT—R.H.D.	1	
	2205708	Support Assembly—Step Hinge—Front—L.H.D. ...	1	
A7	2205710	Support Assembly—Step Hinge—Rear	1	
	2216758	Support Assembly Hinge—Rear—O.S. (R.H.)—L.H.D.	1	
	2216759	Support Assembly Hinge—Rear—N.S. (L.H.)...R.H.D.	1	
	9143052	Pop Rivet—Support—Front and Rear	62	
A8	P.49329	BEARING—STEP HINGE BOLT	4	
A9	2205758	Bolt	2	
A10	9086004	Washer—½" spring } Step Hinge	2	
	9067014	Washer—½" plain } Pivot	2	
A11	9510040	Nut—½" UNF.	2	
A12	2205732	CONNECTING ARM—LEVER TO STEP	1	
	9144019	Clevis Pin	1	
	9076023	Washer—½" brass } Connecting Arm	1	
	9086005	Washer—½" spring } to Hinge Leaf	1	
	9067022	Washer—½" plain	1	
	5200315	Rivet	1	
	9076023	Washer—½" brass } Connecting Arm to Lever	1	
A13	2205729	SPINDLE AND LEVERS ASSEMBLY—R.H.D. ...	1	
	2205728	Spindle and Levers Assembly—L.H.D.	1	
	9076036	Washer—Plain—Spindle and Levers Assembly ...	2	
A14	2205712	CHANNEL SUPPORT BRACKET ASSEMBLY—BULK-HEAD OUTRIGGER	1	
A15	2205713	Bracket and Spindle Assembly	1	
	9660203	Washer—½" spring }	2	
	9067101	Washer—½" plain } Bracket to Support Channel	2	
	9510050	Nut—½" UNF.	2	
A16	2205733	ROD—CONNECTING LEVER TO DOOR ARM ...	1	
	9144018	Clevis Pin	1	
	9075016	Waved Washer } Connecting Rod to Lever	1	
	9076023	Washer	2	
A17	2205734	Eyebolt—Door Arm	1	
	9144021	Clevis Pin—Eyebolt to Door Arm	1	
A18	2205715	ARM—SIDE DOOR	1	
	19604041	Screw—Bottom—½" UNC. × ½" } Arm	2	
	9664162	Washer—½" shakeproof } to Door	2	
<p>Note 1. Used prior to vehicles mentioned in Note 2. 2205710 Support Assembly—Step Hinge—Rear is no longer available. Customers must now order and fit latest condition according to Right- or Left-Hand Drive, i.e.:- 2216758 Support Assembly—Rear—O.S. (R.H.)—L.H.D. 2216759 Support Assembly—Rear—N.S. (L.H.)—R.H.D.</p>				
<p>Note 2. Used on and after Chassis No. 1500/LB/012400. Check Application for handed condition prior to above Chassis No.</p>				

BODY — MECHANICAL STEP — PASSENGER MODELS—(LATE SERIES IIA)

Plate Ref.	Part Number	DESCRIPTION	No. per Veh.	REMARKS
B1	2225113	FRAME ASSEMBLY—MECHANICAL STEP—N.S. (L.H.)—R.H.D. ...	1	} Early Condition } Late Condition
	2225112	Frame Assembly—Mechanical Step—O.S. (R.H.)—L.H.D. ...	1	
B2	2223034	Grip Plate ...	1	
	9143052	Rivet—Grip Plate Fixing ...	12	
B3	2223025	CONTROL ARM ASSEMBLY—N.S. (L.H.)—R.H.D. ...	1	
	2223024	Control Arm Assembly—O.S. (R.H.)—L.H.D. ...	1	
B4	2223027	CONNECTING LINK ...	1	
B5	2223026	Spring—Rear Gusset to Frame Assembly ...	1	
	3021673	Spring—N.S. (L.H.)—R.H.D. } Rear Gusset to	1	
	3021674	Spring—O.S. (R.H.)—L.H.D. } Frame Assembly	1	
	19504052	Screw— $\frac{1}{4}$ " UNF. \times $\frac{1}{2}$ " } Connecting Link	1	
	9067015	Washer— $\frac{1}{4}$ " plain } to	1	
	9551043	Nut— $\frac{1}{4}$ " UNF. Nyloc } Hinge Ear	1	
	69308080	Rivet ... } Connecting Link to	2	
	9067015	Washer— $\frac{1}{4}$ " plain } Step and Arm Control	2	
B6	2223045	FRONT GUSSET ASSEMBLY—N.S. (L.H.)—R.H.D. ...	1	} Early Condition } Late Condition
	2223044	Front Gusset Assembly—O.S. (R.H.)—L.H.D. ...	1	
B7	19505062	Screw— $\frac{5}{8}$ " UNF. \times $\frac{1}{2}$ " } Front Gusset to Floor	2	
B8	9510051	Nut— $\frac{5}{8}$ " UNF. } Front Gusset to Floor	2	
B9	9660203	Washer— $\frac{5}{8}$ " spring } ...	2	
B10	2223047	REAR GUSSET ASSEMBLY—N.S. (L.H.)—R.H.D. ...	1	
	2223046	Rear Gusset Assembly—O.S. (R.H.)—L.H.D. ...	1	
B11	19505332	Bolt— $\frac{1}{2}$ " UNF. \times 4 $\frac{1}{2}$ " } ...	2	
	9067370	Spacer Tube ... } Rear Gusset	2	
B12	9551053	Nut— $\frac{1}{2}$ " UNF. Nyloc } to Floor	2	
B13	9067023	Washer— $\frac{1}{2}$ " spring } ...	2	
B14	2223043	GUSSET TIE ...	1	
	39303081	Screw—No. 10 UNF. \times $\frac{1}{2}$ " } Skirt Panel to Gusset Tie	4	
	9510051	Nut—No. 10 UNF. } Skirt Panel to Gusset Tie	4	
	9660123	Washer— $\frac{1}{2}$ " spring } ...	4	
	19505062	Screw— $\frac{5}{8}$ " UNF. \times $\frac{1}{2}$ " } Gusset Stay to Floor	1	
	9510051	Nut— $\frac{5}{8}$ " UNF. } Gusset Stay to Floor	1	
	9660203	Washer— $\frac{5}{8}$ " spring } ...	1	
B15	2223028	PIVOT ROD ...	1	
	9551053	Nut— $\frac{1}{2}$ " UNF. Nyloc } Pivot Rod	2	
	9067028	Washer— $\frac{1}{2}$ " plain } Fixing	2	
B16	2223021	STRIKER—SIDE DOOR—OPERATING MECHANICAL STEP—N.S. (L.H.)—R.H.D. ...	1	} Contractors Bus only
	2223020	Striker—Side Door—Operating Mechanical Step—O.S. (R.H.)—L.H.D. ...	1	
	3021672	Packing Piece—Striker—Side Door ...	1	
B17	9732106	Screw—Tapping—No. 6 \times $\frac{1}{2}$ "—Top } Striker	2	
B18	9732086	Screw—Tapping—No. 6 \times $\frac{1}{2}$ "—Bottom } to Door	2	
B19	2223015	GROMMET ASSEMBLY—N.S. (L.H.)—R.H.D. ...	1	
	2223014	Grommet Assembly—O.S. (R.H.)—L.H.D. ...	1	
	39301041	Screw—No. 6 UNF. \times $\frac{1}{2}$ " } ...	3	
	39301061	Screw—No. 6 UNF. \times $\frac{1}{2}$ " } ...	3	
	9510051	Nut—No. 6 UNF. } Grommet Fixing to Floor	3	
	9663093	Washer—No. 6 shakeproof } ...	3	
	9067092	Washer—Plain } ...	3	
B20	9119027	BUFFER—RUBBER—SKIRT PANEL ...	2	

BODY—REAR END

BODY — REAR END

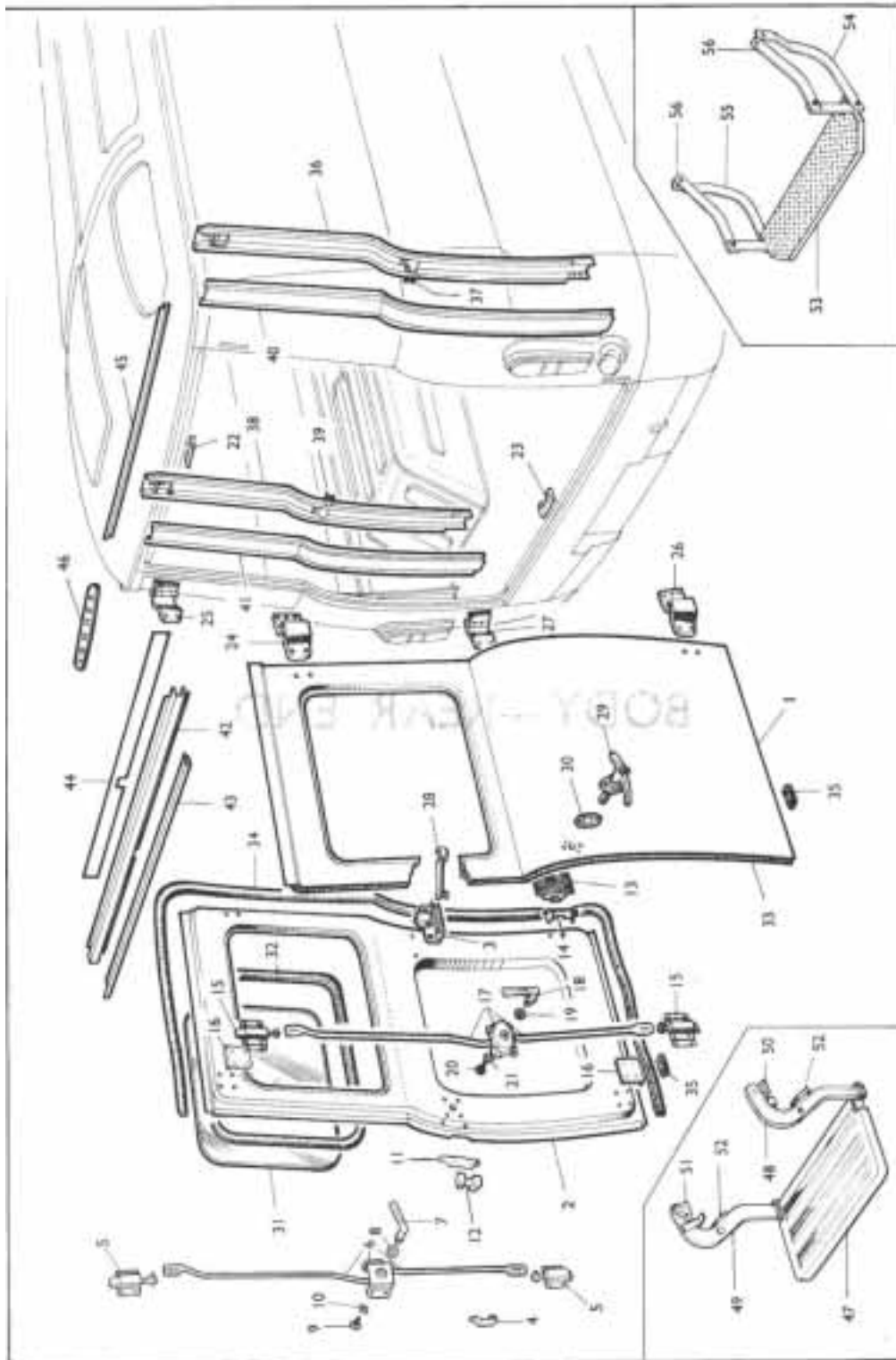


PLATE A

BODY — REAR END

Plate Ref.	Part Number	DESCRIPTION	No. per Veh.	REMARKS
		THIS SECTION IS NOT APPLICABLE TO BOTTLE FLOAT OR CHASSIS CAB		
	2204976	DOOR PANEL ASSEMBLY—REAR—O.S. (R.H.)	1	See Note 2—Page 330 Late Series IIA—See Note 3 and Special Note A—Page 330
A1	2229600	Door Panel Assembly—Rear—O.S. (R.H.)	1	
	2204726	Check Stop Assembly—O.S. (R.H.)	1	
	19504052	Screw— $\frac{1}{2}$ " UNF. \times $\frac{1}{2}$ " } Check Stop	2	
	9664163	Washer— $\frac{1}{2}$ " shakeproof } to Door	2	
	2204977 (2229601)	Door Panel Assembly—Rear—N.S. (L.H.)	1	Late Series IIA—See Note 3 and Special Note A—Page 330
A2	2229601	Door Panel Assembly—Rear—N.S. (L.H.)	1	
A3	2204727	Check Stop Assembly—N.S. (L.H.)	1	
	19504052	Screw— $\frac{1}{2}$ " UNF. \times $\frac{1}{2}$ " } Check Stop	2	
	9664163	Washer— $\frac{1}{2}$ " shakeproof } to Door	2	
A4	2120550	STRIKER BRACKET—N.S. (L.H.)	1	See Note 1—Page 330
	19504042	Screw— $\frac{1}{2}$ " UNF. \times $\frac{1}{2}$ " } Striker Bracket	2	
	9664163	Washer— $\frac{1}{2}$ " shakeproof } to Door Panel	2	
	2121916	SLAM LOCK ASSEMBLY—O.S. (R.H.)	1	
	39204081	Screw— $\frac{1}{2}$ " UNF. \times $\frac{1}{2}$ " } Slam Lock	4	
	9666163	Washer—Countersunk—Shakeproof } to Door	4	See Note 2—Page 330
A5	5037512	TWO-WAY LOCK END MECHANISM—N.S. (L.H.)	2	
A6	5037513	Two-Way Lock Centre Mechanism—N.S. (L.H.)	1	
A7	5037514	Handle	1	
A8	5037522	Distance Piece } Two-Way	1	
A9	5200307	Screw } Lock	1	
A10	5200308	Washer	1	
	39323081	Screw—No. 10 UNF. \times $\frac{1}{2}$ " } Two-Way Lock	12	
	9664163	Washer— $\frac{1}{2}$ " shakeproof } to Rear Door	12	
	2209001	Two-Way Lock Striker—Rear Floor	1	
	39104120	Screw— $\frac{1}{2}$ " UNF. \times $\frac{1}{2}$ " } Striker	2	
	9067018	Washer— $\frac{1}{2}$ " plain } to Floor	2	
	9664162	Washer— $\frac{1}{2}$ " shakeproof } to Floor	2	
	9510040	Nut— $\frac{1}{2}$ " UNF. } to Floor	2	
A11	2224036	STRIKER BRACKET—N.S. (L.H.)	1	See Note 3 also Special Note A—Page 330
A12	2223010	Striker Block—N.S. (L.H.)	1	
	19504042	Screw— $\frac{1}{2}$ " UNF. \times $\frac{1}{2}$ " } Striker Bracket	2	
	9067097	Washer— $\frac{1}{2}$ " plain } to N.S. (L.H.)	2	
	9664163	Washer— $\frac{1}{2}$ " shakeproof } Door Panel	2	
	9050139	Screw—No. 10 UNF. \times $\frac{1}{2}$ " } Striker Block	2	
	9663123	Washer— $\frac{1}{2}$ " shakeproof } to N.S. (L.H.)	2	
	9510031	Nut—No. 10 UNF. } Striker Bracket	2	
A13	2224027	SLAM LOCK ASSEMBLY—O.S. (R.H.)	1	
	39223201	Screw—No. 10 UNF. \times $\frac{1}{2}$ " } Slam Lock	3	
	9067094	Washer— $\frac{1}{2}$ " plain } to Door	3	
A14	2223009	Shoe—Striker Plate—O.S. (R.H.)	1	
	39403081	Screw No. 10 UNF. \times $\frac{1}{2}$ " } Shoe to	2	
	9067094	Washer— $\frac{1}{2}$ " plain } O.S. (R.H.)	2	
	9663123	Washer— $\frac{1}{2}$ " shakeproof } Door	2	
A15	5041494	TWO-WAY LOCK END MECHANISM—N.S. (L.H.)	2	
A16	2224023	Plate—Striker—Top and Bottom—N.S. (L.H.)	2	
A17	5041495	Two-Way Lock Centre Mechanism—N.S. (L.H.)	1	
A18	5041496	Handle	1	
A19	5037522	Distance Piece } Two-Way	1	
A20	5200307	Screw } Lock	1	
A21	5200308	Washer	1	

BODY — REAR END

Plate Ref.	Part Number	DESCRIPTION	No. per Veh.	REMARKS
	3923101	Screw—No. 10 UNF. × ½" } Two-Way Lock	8	} See Note 3 also Special Note A—Page 330
	9663123	Washer—½" shakeproof } to Rear Door	8	
A22	2223008	Two-Way Lock Striker—Top—Cantrail	1	
	39003061	Screw—Striker to Cantrail	2	
A23	2223007	Two-Way Lock Striker—Bottom—Floor	1	
	39104120	Screw—Striker to Floor	2	
A24	2121918	HINGE ASSEMBLY—UPPER—REAR DOOR—O.S. (R.H.)	1	
A25	2121919	Hinge Assembly—Upper—Rear Door—N.S. (L.H.)	1	
A26	2121920	Hinge Assembly—Lower—Rear Door—O.S. (R.H.)	1	
A27	2121921	Hinge Assembly—Lower—Rear Door—N.S. (L.H.)	1	
	19105142	Bolt—½" UNF. × 1¼" }	8	
	9664203	Washer—½" shakeproof } Hinge to Rear Door	8	
	9510051	Nut—½" UNF.	8	
	19505044	Screw—½" UNF. × ½" }	12	
	9664203	Washer—½" shakeproof } Rear Door Hinge on Body	12	
	9067104	Washer—½" plain	12	
	2214788	Seal—Rubber—Rear Door Hinge	4	
	2214787	Retainer—Seal	4	
	9722065	Tapping Screw—Retainer—No. 6 × ½"	8	
	2121924	CHECK ARM—REAR DOOR—O.S. (R.H.)	1	
A28	2121925	Check Arm—Rear Door—N.S. (L.H.)	1	
	H.116241	Rivet—Check Arm to Door	2	
	2203352 (2223090)	HANDLE ASSEMBLY—OUTSIDE—REAR DOOR—O.S. (R.H.)	1	
A29	2223090	Handle Assembly—Outside—Rear Door—O.S. (R.H.)	1	} See Special Note A—Page 330
	H.111746	Key	2	
A30	H.27326	Packing—Escutcheon—Outside Handle	1	
	39203102	Screw—No. 10 UNF. × ½"—Handle to Door	2	
A31	2202943	GLASS—REAR DOOR	2	
A32	2202898	Weatherstrip—Rear Door Glass	2	
	5240111	Protector Kit—Rear Door Glass	1	No longer supplied
A33	2203129	Weatherstrip—Sealing—Rear Door—O.S. (R.H.)	1	
A34	2203128	Weatherstrip—Sealing—Rear Door—N.S. (L.H.)	1	
A35	2206238	Wedge—Buffer—Rear Door	2	
	9732086	Tapping Screw—No. 6 × ½" } Wedge to	4	
	9067004	Washer—½" plain } Door	4	
	2206464 (2228014)	TRIM PAD—RED—REAR DOOR—O.S. (R.H.)	1	} Light bus only
	2206465 (2228015)	Trim Pad—Red—Rear Door—N.S. (L.H.)	1	
	9131013	Piping—Trim Pad Not supplied	30	
	2228014	Trim Pad—Red—Rear Door—O.S. (R.H.)	1	} See Special Note A—Page 330
	2228015	Trim Pad—Red—Rear Door—N.S. (L.H.)	1	
	2122158 (2225070)	BACK POST ASSEMBLY—INNER—O.S. (R.H.)	1	
A36	2225070	Back Post Assembly—Inner—O.S. (R.H.)	1	} See Special Note A—Page 330
	2224024	Gusset—Top—Rear Door Aperture Not supplied	1	
	2225059	Plate—Cover—Back Post	1	
	9143036	Pop Rivet—Cover Plate to Back Post	2	
A37	2120682	Bracket—Check Arm	1	
	2122159 (2225071)	BACK POST ASSEMBLY—INNER—N.S. (L.H.)	1	
A38	2225071	Back Post Assembly—Inner—N.S. (L.H.)	1	} See Special Note A—Page 330
	2224025	Gusset—Top—Rear Door Aperture Not supplied	1	
	2225059	Plate—Cover—Back Post	1	
	9143036	Pop Rivet—Cover Plate to Back Post	2	
A39	2120682	Bracket—Check Arm	1	
A40	2120638	BACK POST ASSEMBLY—OUTER—O.S. (R.H.)	1	
A41	2120639	Back Post Assembly—Outer—N.S. (L.H.)	1	} No longer supplied
	2120634	Gusset—Rear Door Aperture—O.S. (R.H.)	1	
	2120635	Gusset—Rear Door Aperture—N.S. (L.H.)	1	

BODY — REAR END

Plate Ref.	Part Number	DESCRIPTION	No. per Veh.	REMARKS
	2122156	CANTRAIL ASSEMBLY—REAR	1	See Note 2—Page 330
A42	2225065	Cantrail Assembly—Rear	1	See Note 3 also Special Note A—Page 330
A43	2121907	Drip Moulding—Rear	1	
	2120598	Closing Panel—Cantrail—Rear	1	See Note 2—Page 330
A44	2225064	Closing Panel—Cantrail—Rear	1	See Note 3 also Special Note A—Page 330
	H.107112	Wedge Buffer—Cantrail	2	
	2216547	Seal—Sponge Rubber—Cantrail	1	
A45	2121979	HEADLINING RETAINER—REAR	1	} Passenger Models only
	9732086	Tapping Screw—No. 6 × 1/2"—Retainer to Body	11	
A46	2203336	BADGE ASSEMBLY—ROOF—REAR	1	
	P.49152	Friction Bush—Badge to Roof	2	
A47	2203353	FOLDING STEP ASSEMBLY—REAR DOOR	1	}
A48	2203366	Support Arm Assembly—O.S. (R.H.)	1	
A49	2203367	Support Arm Assembly—N.S. (L.H.)	1	}
	9067027	Washer—5/8" plain } Support Arm	4	
	9067026	Washer—5/8" plain } to Folding Step	2	
A50	2202964	Pivot Bracket—Top—O.S. (R.H.)	1	} Passenger Models
A51	2202965	Pivot Bracket—Top—N.S. (L.H.)	1	
	9067027	Washer } Top Pivot Bracket	4	} —R.H.D.—Home
	9067026	Washer } to Support Arm	2	
A52	2203373	Buffer—Folding Step	2	}
	39104120	Screw—1" UNF. × 1/2"	4	
	9664162	Washer—1" shakeproof } Folding Step to Rear Door	4	
	9510040	Nut—1" UNF.	4	
A53	2213954	REAR STEP ASSEMBLY	1	}
A54	2208754	Rear Step Stay—O.S. (R.H.)	1	
A55	2208755	Rear Step Stay—N.S. (L.H.)	1	} Caravan only
	19505081	Bolt—5/8" UNF. × 1"	2	
	9510050	Nut—5/8" UNF.	2	
	9660201	Washer—5/8" spring } Stay to Step	2	
	19505081	Bolt—5/8" UNF. × 1" } Step to Chassis Frame	2	
	9510050	Nut—5/8" UNF.	2	
	9660201	Washer—5/8" spring } Extension or Bumper Bracket	2	
	19105101	Bolt—5/8" UNF. × 1 1/2" } Stay to Frame	2	
	9510050	Nut—5/8" UNF.	2	
	9660201	Washer—5/8" spring } and Chassis Extension or Bumper Iron	2	
A56	2208751	Rear Step Chassis Extension	2	} Not required when Rear Quarter Bumpers are fitted
	19505181	Bolt—5/8" UNF. × 2 1/2"	4	
	9510050	Nut—5/8" UNF.	4	
	9660201	Washer—5/8" spring } to Chassis Frame	4	

BODY — REAR END

Plate Ref.	Part Number	DESCRIPTION	No. per Veh.	REMARKS
		<p>Note 1. When replacing 5037514 Handle for early vehicles, Part Number 5200307 Screw and 5200308 Washer should also be ordered.</p> <p>Note 2. Used prior to Chassis Nos.—See Note 3.</p> <p>Note 3. Used on and after Chassis Numbers. :— 1500/-/ 227373—227376/81—227383—227386/9—227391/3—227395—227397/8—227401/2—227404—227406—227408/13—227415/17—227420—227422—227424/6—227428—227430/1—227433/56—227458/657—227660 onwards.</p> <p>CKD—1500/-/275665.</p> <p>Special Note A. Introduction of Nylon Strikers, Improved Slam Lock and 2-Way Lock Mechanism, and reinforced Rear Doors.</p>		

SEATS—FRONT AND REAR

SEATS — FRONT and SEATS — REAR — LIGHT BUS — EARLY

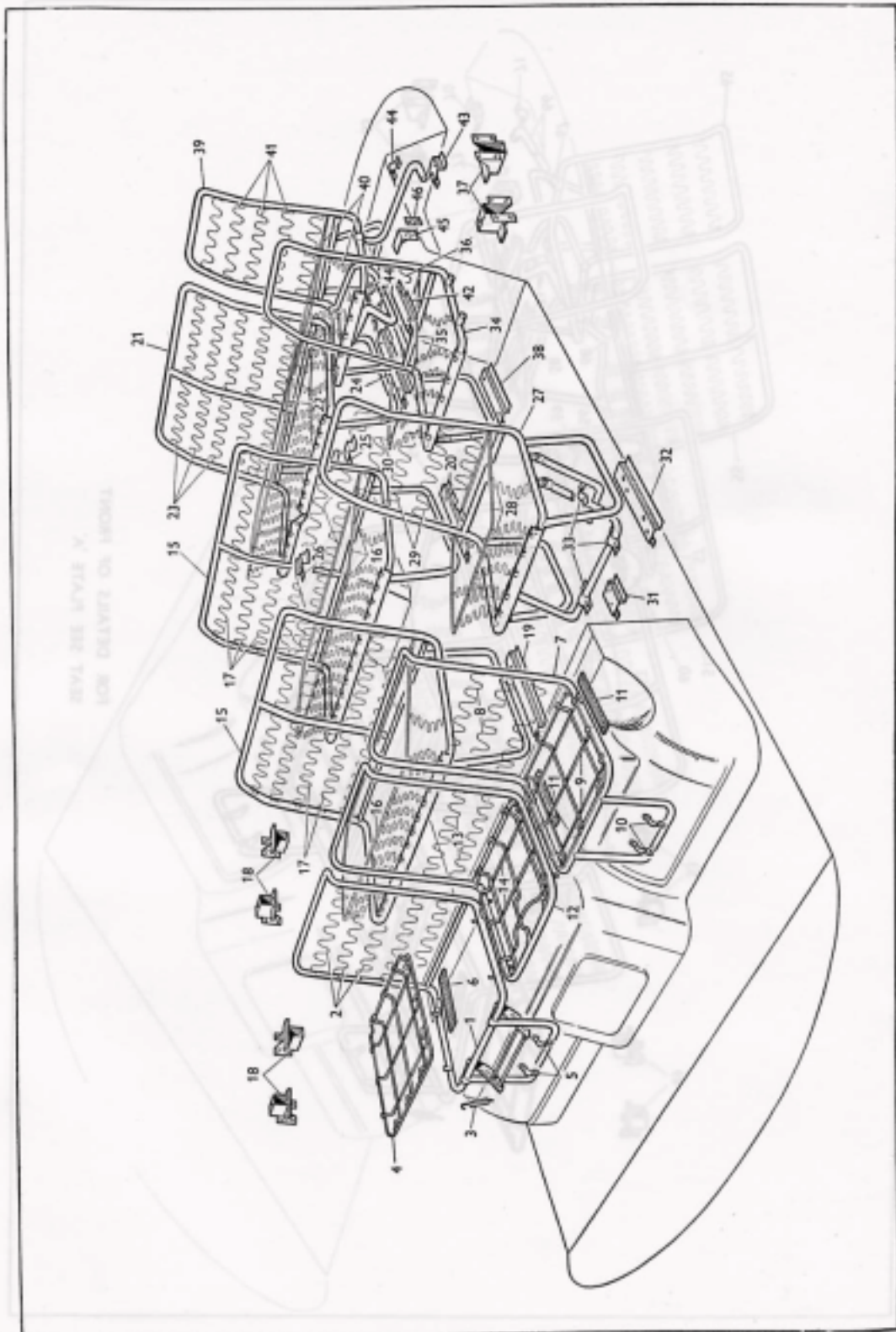
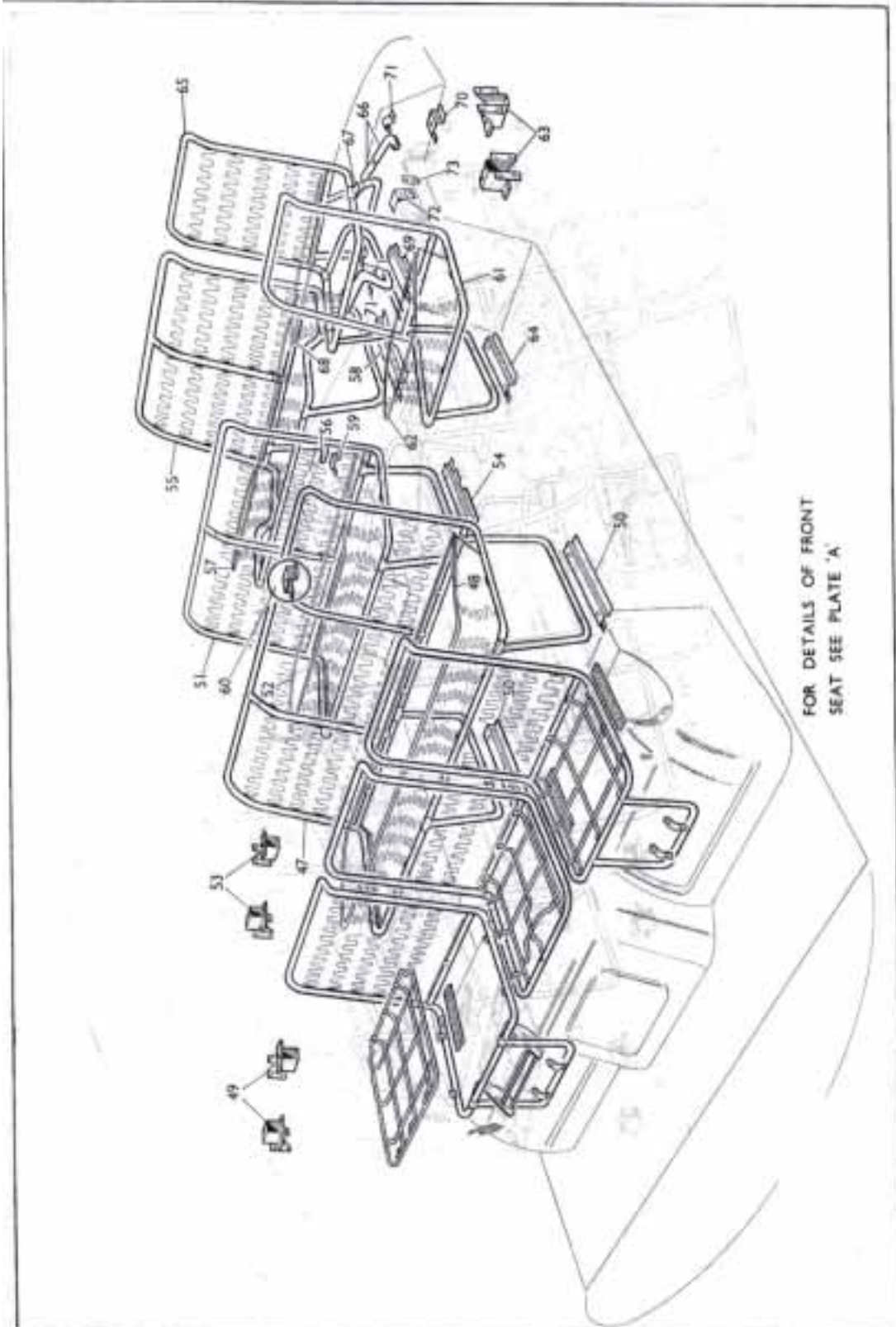


PLATE A



FOR DETAILS OF FRONT
SEAT SEE PLATE 'A'

PLATE B

SEATS — REAR — STATION WAGON

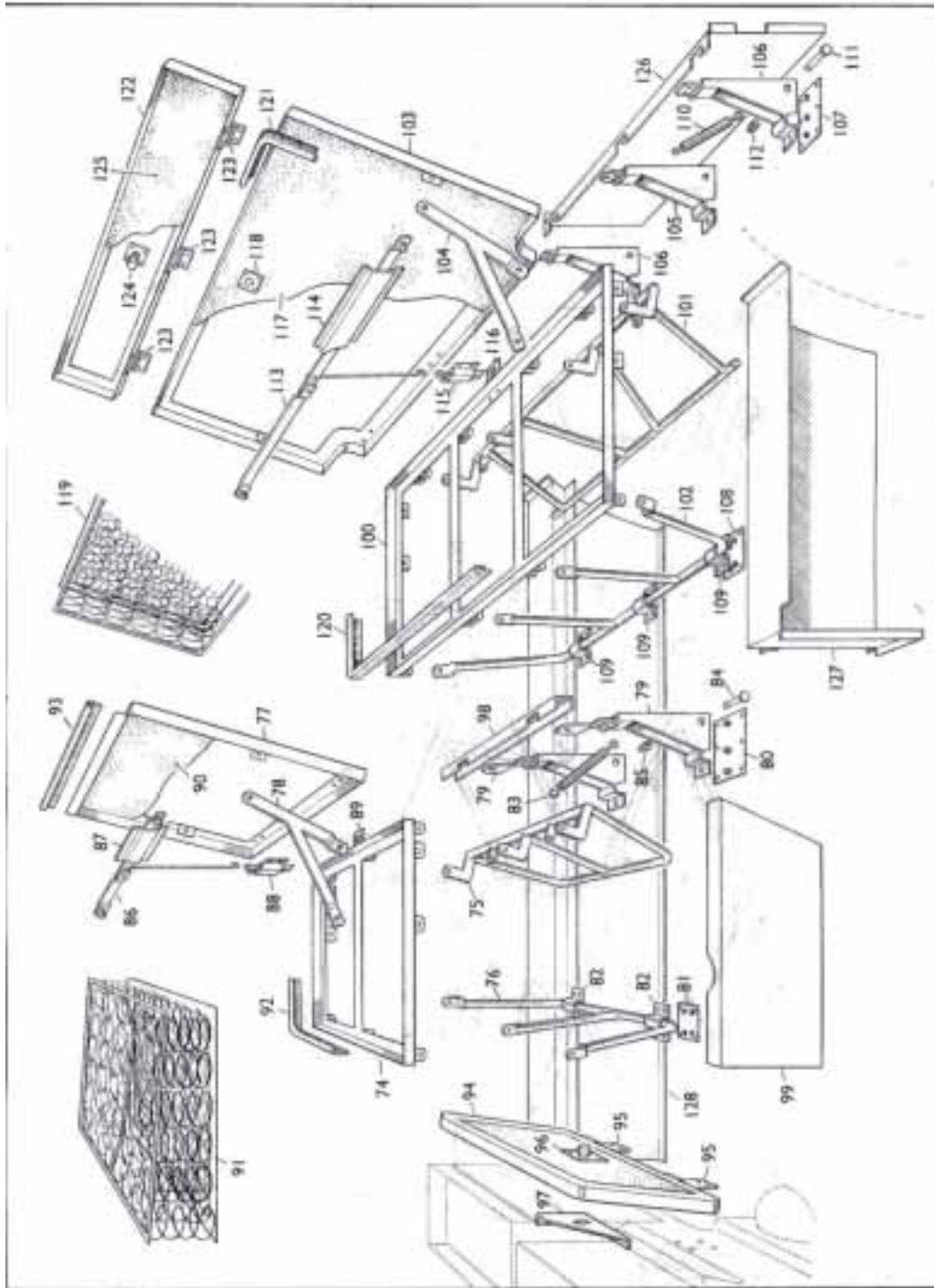


PLATE C

NO SEATS — REAR — CARAVAN

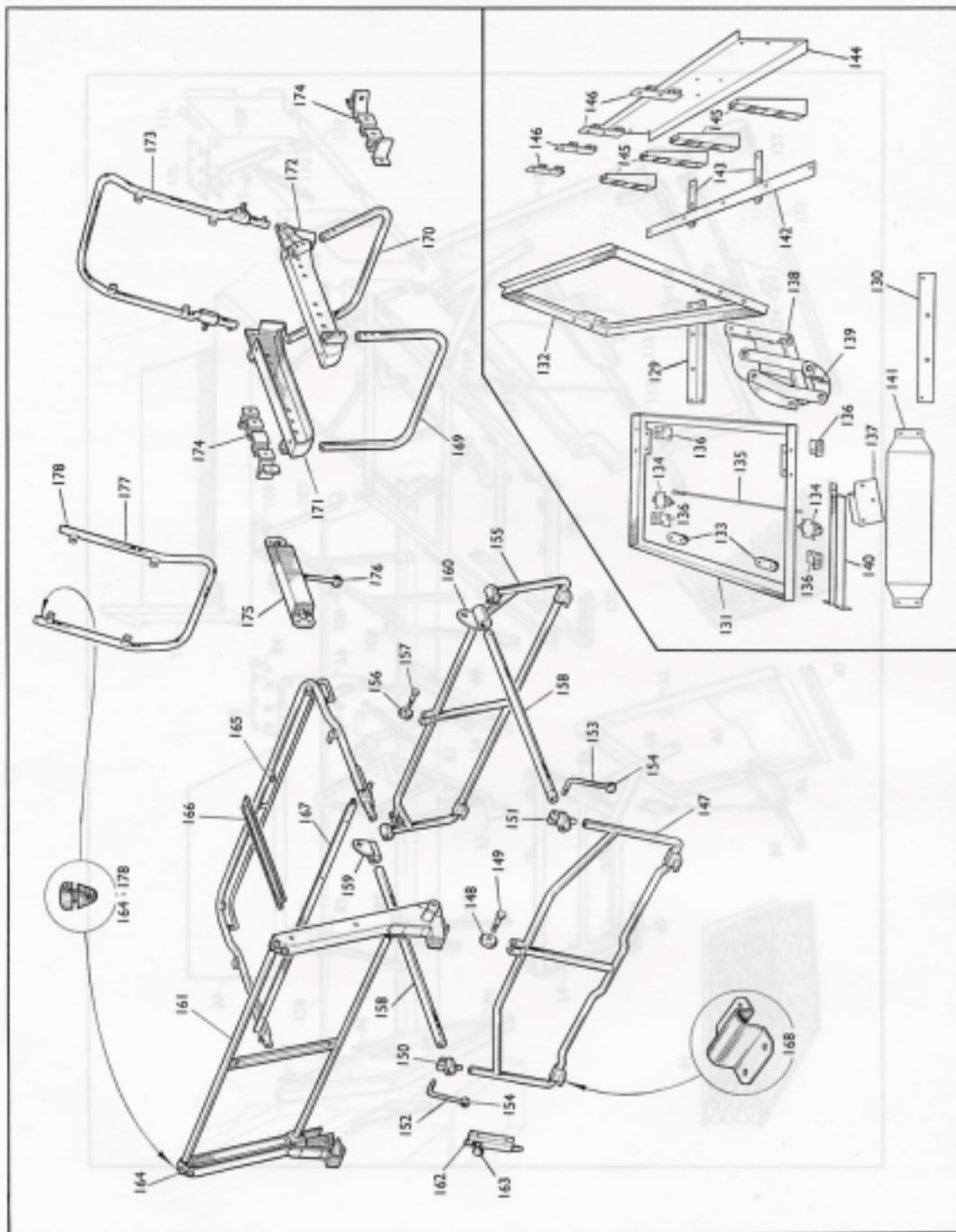


PLATE D

SEATS — FRONT AND REAR

Plate Ref.	Part Number	DESCRIPTION	No. per Veh.	REMARKS
		SEATS — FRONT		
	2509674 (2516300)	SEAT ASSEMBLY—RED—DRIVER—TRIMMED	1	
	2516300	Seat Assembly—Red—Driver—Trimmed	1	See Note 1—Page 338
A1	2202986	Seat Frame Assembly	1	
A2	5037805	Back Spring	5	
A3	5037804	Trigger Spring—O.S. (R.H.)	1	
	5037803	Trigger Spring—N.S. (L.H.)	1	
A4	2205670	Cushion Bottom Frame	1	
	2510256 (2516302)	Cushion Cover Assembly—Red—Seat	1	
	2516302	Cushion Cover Assembly—Red—Seat	1	See Note 1—Page 338
	H.83288 (9130042)	Clip—Cushion Fixing	6	
	P.49178 (9132536)	Trim Clip	8	
	2510259	Cover Assembly—Red—Squab	1	Early Condition
	2516309	Cover Assembly—Red—Squab	1	Late Condition—See Note 1—Page 338
	H.83288 (9130042)	Clip—Squab Fixing	6	
A5	2202987	Clip—Seat Fixing	1	
	2208611	Clip—Seat Fixing	1	
	19504062	Screw— $\frac{1}{2}$ " UNF. \times $\frac{1}{2}$ "	4	} Clip to
	9664163	Washer— $\frac{1}{2}$ " shakeproof	4	
A6	2203240	Wearing Strip—Seat to Floor	2	
	5240464	Rivet—Wearing Strip	8	
	5200285 (5200564)	SEAT KIT—RED—PASSENGER—TRIMMED	1	
	5200564	Seat Kit—Red—Passenger—Trimmed	1	See Note 1—Page 338
A7	2203704	Seat Frame Assembly	1	
A8	5037805	Back Spring	5	
A9	2205670	Cushion Bottom Frame	1	
	2510256 (2516302)	Cushion Cover Assembly—Red—Seat	1	
	2516302	Cushion Cover Assembly—Red—Seat	1	See Note 1—Page 338
	H.83288 (9130042)	Clip—Cushion Fixing	6	
	P.49178 (9132536)	Trim Clip	8	
	2510259	Cover Assembly—Red—Squab	1	Early Condition
	2516309	Cover Assembly—Red—Squab	1	Late Condition—See Note 1—Page 338
	H.83288 (9130042)	Clip—Squab Fixing	6	
A10	2202987	Clip—Seat Fixing	1	
	2208611	Clip—Seat Fixing	1	
	19504062	Screw— $\frac{1}{2}$ " UNF. \times $\frac{1}{2}$ "	4	} Clip to
	9664163	Washer— $\frac{1}{2}$ " shakeproof	4	
A11	2203240	Wearing Strip—Seat to Floor	2	
	5240464	Rivet—Wearing Strip	8	

Passenger—Standard Fitment;
Van—Special Order only

SEATS — FRONT AND REAR

Plate Ref.	Part Number	DESCRIPTION	No. per Veh.	REMARKS
		SEATS—FRONT—continued		
	5200295 (5200565)	SEAT KIT—RED—CENTRE—TRIMMED	1	{ See Note 2— Page 338 Early Condition Late Condition See Note 2— Page 338 Early Condition Late Condition See Note 2— Page 338 Passenger—Standard Fitment ; Van—Special Order only } See Underframe } See Notes 1 and 2— Page 338
	5200565	Seat Kit—Red—Centre—Trimmed	1	
A12	2202985	Seat Frame Assembly	1	
A13	5037805	Back Spring	5	
A14	2205799	Cushion Bottom Frame	1	
	2509699	Cushion Cover Assembly—Red—Seat	1	
	2516319	Cushion Cover Assembly—Red—Seat	1	
	H.83288 (9130042)	Clip—Cushion Fixing	6	
	P.49178 (9132536)	Trim Clip	8	
	2509691	Cover Assembly—Red—Squab	1	
	2516322	Cover Assembly—Red—Squab	1	
	H.83288 (9130042)	Clip—Squab Fixing	6	
		Stay Assembly—Engine Cover		
		Washer		
		Nut ... } Stay to Anchor Bracket		
		Locknut ... }		
		Anchor Bracket Assembly—Stay		
		Tapping Screw		
		Stay Securing Bracket		
		Retainer—Engine Cover Stay		
		Retainer Bracket—Stay		
		Tapping Screw		
		SEAT TRIM — FRONT SEATS		
	5101204	LEATHERCLOTH — Bright Red — Vynide VT1146 (Cordova Grain with Overprint)—50" width—Seat and Squab Cover...	A/R	
	5106388	Leathercloth—Off White—Vynide VT1146 (Cordova Grain—Plain)—1 1/2" width—Seat Piping	A/R	
		Note 1. Introduction of a design change to the Front Seat Trim (Driver's and Passenger's Seat). On vehicles after Chassis Nos. 1500(-)/231765—CKD 1500(-)/277417 the Seat Trim is electrically welded (not sewn). Supplies of the original type leathercloth will be maintained to enable Cushion or Squab to be re-covered by hand method.		
		Note 2. Introduction of a design change to the Front Seat Trim (Centre Seat). On vehicles after Chassis Nos. 1500(-)/336766 and—CKD 1500(-)/378767 the Seat Trim is Electrically welded (not sewn). Supplies of the original type leathercloth will be maintained to enable cushion or squab to be re-covered by hand method.		

SEATS — FRONT AND REAR

Plate Ref.	Part Number	DESCRIPTION	No. per Veh.	REMARKS
		SEATS — REAR — LIGHT BUS		
		Note. Rear Seats and Fixings not supplied for Contractor's Bus The following items are fitted prior to Chassis Nos.:		
		R.H.D. 1500/LBF/007000;		
		L.H.D. 1500/LBF/005650.		
A15	5057963	SEAT FRAME ASSEMBLY — DOUBLE — FRONT AND INTERMEDIATE — O.S. (R.H.) — R.H.D. ...	2	} See Note 3— Page 343
	5057964	Seat Frame Assembly—Double—Front and Intermediate—N.S. (L.H.)—L.H.D. ...	2	
	2213415	Seat Frame Assembly—Double—Front and Intermediate ...	2	
	2212970	Seat Frame Pedestal—Double—Front and Intermediate ...	2	} See Note 2— Page 343
	2212973	Clip—Pedestal to Frame ...	8	
	9011074	Bolt—Mushroom—Square Neck—Clip Fixing ...	16	
A16	5037953	Spring Case Assembly—Seat—Double—Front and Intermediate ...	2	} See Note 1—Page 343 See Note 2—Page 343
	2212914	Spring—Case Assembly—Seat—Double—Front and Intermediate ...	2	
A17	5037958	Back Spring—Seat—Double—Front and Intermediate ...	20	
	9130042	Trim Clip ...	24	
	P.49178 (9132536)	Trim Clip ...	16	} Front and Intermediate ...
	9722085	Tapping Screw—No. 6 × 1/4" ...	4	
	9670613	Cup Washer ...	4	
A18	2203190	Seat Bracket Assembly—Double Seat—O.S. (R.H.)—R.H.D. ...	4	} Early Condition Late Condition
	2203191	Seat Bracket Assembly—Double Seat—N.S. (L.H.)—L.H.D. ...	4	
	2220512	Seat Bracket Assembly—Double Seat ...	4	
	19504122	Screw—1" UNF. × 1 1/4" ...	4	} Seat to ...
	9067099	Washer—1" plain ...	4	
	9664163	Washer—1" shakeproof ...	4	} Bracket ...
	9510040	Nut—1" UNF. ...	4	
	19504042	Screw—1" UNF. × 1/2" ...	16	} Seat Bracket ...
	9664163	Washer—1" shakeproof ...	16	
A19	2204524	CHANNEL ASSEMBLY—DOUBLE SEAT—FRONT ...	1	
A20	2204526	Channel Assembly—Double Seat—Intermediate ...	1	
	P.49326	Bolt—Seat Frame to Channel ...	4	
A21	5037969	SEAT FRAME ASSEMBLY—DOUBLE—REAR—O.S. (R.H.)—R.H.D. ...	1	} See Note 1 See Note 2—Page 343
	2213416	Seat Frame Assembly—Double—Rear—O.S. (R.H.)—R.H.D. ...	1	
	5037970	Seat Frame Assembly—Double—Rear—N.S. (L.H.)—L.H.D. ...	1	} See Note 1
	2213417	Seat Frame Assembly—Double—Rear—N.S. (L.H.)—L.H.D. ...	1	
	2212971	Seat Frame Pedestal—Floor Fixing—Double—Rear ...	1	} See Note 2— Page 343
	2212972	Seat Frame Pedestal—Single Stem—Wheelarch Fixing—Double—Rear ...	1	
	2212973	Clip—Pedestal to Frame ...	6	
	9011074	Bolt—Mushroom—Square Neck—Clip Fixing ...	12	
A22	5037956	Spring Case Assembly—Seat—Double—Rear—O.S. (R.H.)—R.H.D. ...	1	} See Note 1— Page 343
	5037957	Spring Case Assembly—Seat—Double—Rear—N.S. (L.H.)—L.H.D. ...	1	
	2212915	Spring Case Assembly—Seat—Double—Rear ...	1	} See Note 2—Page 343
A23	5037958	Back Spring—Seat—Double—Rear ...	10	
	9130042	Trim Clip ...	18	} Rear ...
	P.49178 (9132536)	Trim Clip ...	18	
	9722085	Tapping Screw—No. 6 × 1/4" ...	2	} Double Seat ...
	9670613	Cup Washer ...	2	
A24	2204528	CHANNEL ASSEMBLY—INNER—DOUBLE SEAT—REAR ...	1	
A25	2204530	Channel Assembly—Outer—Double Seat—Rear ...	1	
	P.49326	Bolt—Seat Frame to Channel ...	3	
A26	2204544	Wheel Arch Fixing Bracket—Double Seat—Rear—O.S. (R.H.)—R.H.D. ...	1	See Note 1—Page 343

SEATS — FRONT AND REAR

Plate Ref.	Part Number	DESCRIPTION	No. per Veh.	REMARKS
A38	2204535	SEATS — REAR — LIGHT BUS — continued CHANNEL ASSEMBLY—SINGLE SEAT—INTERMEDIATE—R.H.D.	1	
	2204534	Channel Assembly—Single Seat—Intermediate—L.H.D.	1	
	P.49326	Bolt—Seat Frame to Channel	2	
A39	5037961	SEAT FRAME ASSEMBLY—SINGLE—MOVABLE—REAR—N.S. (L.H.)—R.H.D.	1	See Note 1
	2213421	Seat Frame Assembly—Single—Movable—Rear—N.S. (L.H.)—R.H.D.	1	See Note 2
	5037962	Seat Frame Assembly—Single—Movable—Rear—O.S. (R.H.)—L.H.D.	1	See Note 1 } Page 343
	2213420	Seat Frame Assembly—Single—Movable—Rear—O.S. (R.H.)—L.H.D.	1	See Note 2
A40	5037952	Spring Case Assembly—Seat—Single—Movable—Rear	1	See Note 1
	2212918	Spring Case Assembly—Seat—Single—Movable—Rear	1	See Note 2
A41	5037958	Back Spring—Seat—Single—Movable—Rear	5	
	9130042	Trim Clip	12	
	P.49178 (9132536)	Trim Clip } Rear Single Seat	6	
	9722085	Tapping Screw—No. 6 × 1/4" —Movable	2	
	9670613	Cup Washer	2	
A42	2204539	CHANNEL ASSEMBLY—INNER—MOVABLE SEAT—REAR—R.H.D.	1	
	2204538	Channel Assembly—Inner—Movable Seat—Rear—L.H.D.	1	
A43	2204543	Channel Assembly—Steady Link—Movable Seat—Rear—R.H.D.	1	
	2204542	Channel Assembly—Steady Link—Movable Seat—Rear—L.H.D.	1	
A44	2204531	Clip } Seat Frame	3	
	P.49325	Bolt } to Channel	6	
A45	2203203	Rest—Movable Seat—Rear	1	
A46	2203202	Attachment Plate } Movable	1	
	P.49325	Bolt } Seat Rest	2	
<p>The following items are fitted on and after Chassis Nos.:</p> <p>R.H.D. 1500/LB/007000;</p> <p>L.H.D. 1500/LB/005650.</p>				
B47	2216506	SEAT FRAME ASSEMBLY—TREBLE—FRONT	1	
	2212970	Seat Frame Pedestal—Treble—Front	2	
	2212973	Clip	8	
	9011074	Bolt—Mushroom—Square Neck } Pedestal	8	
	9564040	Nut—1/2" UNF. } to Frame	8	
	9664163	Washer—1/2" shakeproof	8	
B48	2215669	Spring Case Assembly—Seat—Treble—Front	1	
	5039104	Back Spring—Seat—Treble—Front—15"	7	
	5039103	Back Spring—Seat—Treble—Front—14"	6	
	5037959	Back Spring—Seat—Treble—Front—13 1/2"	2	
	P.49178 (9132536)	Trim Clip	20	
	9762105	Tapping Screw—No. 6 × 1/4" } Treble Seat	2	
	9670613	Cup Washer	2	
B49	2203190	SEAT BRACKET ASSEMBLY—TREBLE SEAT—O.S. (R.H.)—R.H.D.	2	} Early Condition Late Condition
	2203191	Seat Bracket Assembly—Treble Seat—N.S. (L.H.)—L.H.D.	2	
	2220512	Seat Bracket Assembly—Treble Seat	2	
	19504122	Screw—1/2" UNF. × 1 1/4"	2	
	9067099	Washer—1/2" plain } Seat to	2	
	9664163	Washer—1/2" shakeproof } Bracket	2	
	9510040	Nut—1/2" UNF. }	2	
	19504042	Screw—1/2" UNF. × 1/2" } Seat Bracket	8	
	9664163	Washer—1/2" shakeproof } to Rail	8	

SEATS — FRONT AND REAR

Plate Ref.	Part Number	DESCRIPTION	No. per Veh.	REMARKS
		SEATS — REAR — LIGHT BUS — continued		
B50	2204524	CHANNEL ASSEMBLY—TREBLE SEAT	2	
	P.49326	Bolt—Seat Frame to Channel	4	
B51	2216503	SEAT FRAME ASSEMBLY—DOUBLE—INTERMEDIATE	1	
	2212970	Seat Frame Pedestal—Double—Intermediate	1	
	2212973	Clip	4	
	9011074	Bolt—Mushroom—Square Neck	4	Pedestal to Frame
	9564040	Nut—1" UNF.	4	
	9664163	Washer—1" shakeproof	4	
B52	2212914	Spring Case Assembly—Seat—Double—Intermediate	1	
	5039104	Back Spring—Seat—Double—Intermediate—15"	4	
	5039103	Back Spring—Seat—Double—Intermediate—14"	6	
	P.49178 (9132536)	Trim Clip	20	
	9762105	Tapping Screw—No. 6 × 1/2"	2	Double Seat—Intermediate
	9670613	Cup Washer	2	
B53	2203190	SEAT BRACKET ASSEMBLY—DOUBLE SEAT—O.S. (R.H.) —R.H.D.	2	Early Condition
	2203191	Seat Bracket Assembly—Double Seat—N.S. (L.H.)—L.H.D.	2	
	2220512	Seat Bracket Assembly—Double Seat	2	Late Condition
	19504122	Screw—1/2" UNF. × 1 1/4"	2	
	9067099	Washer—1" plain	2	
	9664163	Washer—1" shakeproof	2	
	9310040	Nut—1/2" UNF.	2	
	19504042	Screw—1/2" UNF. × 1 1/4"	8	
	9664163	Washer—1" shakeproof	8	
		to Rail	8	
B54	2204526	CHANNEL ASSEMBLY—DOUBLE SEAT—INTERMEDIATE	1	
	P.49326	Bolt—Seat Frame to Channel	2	
B55	2216504	SEAT FRAME ASSEMBLY—DOUBLE—REAR	1	
	2212971	Seat Frame Pedestal—Floor Fixing—Double—Rear	1	
B56	2212972	Seat Frame Pedestal—Single Item—Wheel Arch Fixing—Double —Rear	1	
	2212973	Clip	6	
	9011074	Bolt—Mushroom—Square Neck	6	Pedestal to Seat Frame
	9564040	Nut—1/2" UNF.	6	
	9664163	Washer—1" shakeproof	6	
B57	2212915	Spring Case Assembly—Seat—Double—Rear	1	
	5039104	Back Spring—Seat—Double—Rear—15"	6	
	5039103	Back Spring—Seat—Double—Rear—14"	4	
	P.49178 (9132536)	Trim Clip	18	
	9762105	Tapping Screw—No. 6 × 1/2"	2	Rear Double Seat
	9670613	Cup Washer	2	
B58	2204528	CHANNEL ASSEMBLY—INNER—DOUBLE SEAT—REAR	1	
B59	2204530	Channel Assembly—Outer—Double Seat—Rear	1	
	P.49326	Bolt—Seat Frame to Channel	3	
B60	2211489	WHEEL ARCH FIXING BRACKET—DOUBLE SEAT—REAR	1	
	2212912	Clip—Top—Front—Double Seat—Rear	1	
	2212913	Clip—Bottom—Front—Double Seat—Rear	1	
	39602201	Screw—No. 8 UNC. × 1 1/4"—Clip to Seat Frame	2	
	P.49325	Bolt—Clip to Bracket	1	
B61	2216505	SEAT FRAME ASSEMBLY—SINGLE—FIXED	1	
	2212970	Seat Frame Pedestal—Single—Fixed	1	
	2212973	Clip	4	
	9011074	Bolt—Mushroom—Square Neck	4	Pedestal to Seat Frame
	9564040	Nut—1/2" UNF.	4	
	9664163	Washer—1" shakeproof	4	
B62	2212917	Spring Case Assembly—Seat—Single—Fixed	1	
	5039104	Back Spring—Seat—Single—Fixed—15"	1	
	5039103	Back Spring—Seat—Single—Fixed—14"	3	
	5039102	Back Spring—Seat—Single—Fixed—12 1/2"	1	

SEATS — FRONT AND REAR

Plate Ref.	Part Number	DESCRIPTION	No. per Veh.	REMARKS
		SEATS — REAR — LIGHT BUS — continued		
	P.49178 (9132536)	Trim Clip	14	
	9762105	Tapping Screw—No. 6 × 1/2" } Fixed Single Seat	2	
	9670613	Cup Washer	2	
	2213296	Clip—Seat Fixing	2	
	39802204	Screw—No. 8 × 1 1/4"	4	
	9663112	Washer—3/8" shakeproof } Clip to Seat Frame	4	
	9550020	Nut—No. 8 UNC.	4	
B63	2203191	SEAT BRACKET ASSEMBLY—SINGLE SEAT—N.S. (L.H.) —R.H.D.	2	} Early Condition
	2203190	Seat Bracket Assembly—Single Seat—O.S. (R.H.)—L.H.D.	2	
	2220512	Seat Bracket Assembly—Single Seat	2	} Late Condition
	19504122	Screw—1" UNF. × 1 1/2"	2	
	9067099	Washer—1/2" plain	2	
	9664163	Washer—1/2" shakeproof } Seat to Bracket	2	
	19504042	Screw—1" UNF. × 1 1/2" } Seat Bracket	8	
	9664163	Washer—1/2" shakeproof } to Rail	8	
B64	2204535	CHANNEL ASSEMBLY—SINGLE SEAT—FIXED—R.H.D.	1	
	2204534	Channel Assembly—Single Seat—Fixed—L.H.D.	1	
	P.49326	Bolt—Seat Frame to Channel	2	
B65	2216963	SEAT FRAME ASSEMBLY—SINGLE—MOVABLE—REAR —N.S. (L.H.)—R.H.D.	1	
	2216962	Seat Frame Assembly—Single—Movable—Rear—O.S. (R.H.)— L.H.D.	1	
B66	2215833	Steady Link	1	
B67	2215834	Bracket—Link to Seat Frame	1	
	9143052	Rivet	2	
B68	2212918	Spring Case Assembly—Seat—Single—Movable—Rear	1	
	5039104	Back Spring—Seat—Single—Movable—Rear—15"	5	
	P.49178 (9132536)	Trim Clip	12	
	9762105	Tapping Screw—No. 6 × 1/2" } Rear Single Seat—Movable	2	
	9670613	Cup Washer	2	
B69	2204539	CHANNEL ASSEMBLY—INNER—MOVABLE SEAT—REAR —R.H.D.	1	
	2204538	Channel Assembly—Inner—Movable Seat—Rear—L.H.D.	1	
B70	2204543	Channel Assembly—Steady Link—Movable Seat—Rear—R.H.D.	1	
	2204542	Channel Assembly—Steady Link—Movable Seat—Rear—L.H.D.	1	
B71	2204531	Clip } Seat Frame	3	
	P.49325	Bolt } to Channel	6	
B72	2203203	Rest—Movable Seat—Rear	1	
B73	2203202	Attachment Plate } Movable Seat	1	
	P.49325	Bolt ... } Rest	2	
		SEAT TRIM — LIGHT BUS		
	5101204	Leather Cloth—Bright Red—Vynide VT1146 (Cordova Grain with overprint)—50" Width—Seat and Squab Cover	A/R	} See Special Note A— Page 343
	5106388	Leather Cloth—Off-White—Vynide VT1146 (Cordova Grain— Plain)—1 1/2" Width—Seat Piping	A/R	
		Note 1. Used prior to Chassis Nos.:— Home—1500/LBF/001500; Export—1500/LBF/001126.		
		Note 2. Used on and after Chassis Nos.:— Home—1500/LBF/ 001500; Export—1500/LBF/001126.		
		Note 3. Supplies of 5037963 Seat Frame Assembly—Double— Front and Intermediate O.S. (R.H.)—R.H.D. are no longer available and customers must order appropriate parts required for Note 2.		
		Special Note A. On later vehicles the Seat Trim is electrically welded (not sewn). Complete Rear (Passenger) Seats or Rear Squab Covers are not available from the factory. Supplies of the original type Leathercloth will be main- tained to enable Cushion or Squabs to be re-covered by hand method.		

SEATS — FRONT AND REAR

Plate Ref.	Part Number	DESCRIPTION	No. per Veh.	REMARKS
		SEATS — REAR — STATION WAGON		
C74	2204017	SEAT FRAME ASSEMBLY—CUSHION—DOUBLE SEAT...	1	
C75	2204001	Leg—Rear—Double Seat	1	
C76	2204003	Leg—Front—Double Seat	1	
	2204011	Bolt—Pivot—Leg—Front—Outer	2	
	2204012	Bolt—Pivot—Leg—Front and Rear—Centre	2	
	2204013	Bolt—Pivot—Leg—Rear—Outer	2	
	9067015	Washer— $\frac{1}{2}$ " plain } Pivot	6	
	9552043	Nut— $\frac{1}{2}$ " UNF. Nylon } Bolt	6	
C77	2204024	SEAT FRAME ASSEMBLY—SQUAB—DOUBLE SEAT ...	1	
	39104104	Screw— $\frac{1}{2}$ " UNF. \times $\frac{1}{4}$ "	4	
	9664163	Washer— $\frac{1}{2}$ " shakeproof } Hinge to Squab Frame	4	
	9510041	Nut— $\frac{1}{2}$ " UNF.	4	
	2204026	LINK ASSEMBLY—SQUAB FRAME TO CUSHION FRAME		
		—O.S. (R.H.)	1	
C78	2204027	Link Assembly—Squab Frame to Cushion Frame—N.S. (L.H.)	1	
	19504052	Screw— $\frac{1}{2}$ " UNF. \times $\frac{1}{4}$ "	4	
	9664163	Washer— $\frac{1}{2}$ " shakeproof } Link to Cushion Frame	4	
	9510041	Nut— $\frac{1}{2}$ " UNF.	4	
	39104104	Screw— $\frac{1}{2}$ " UNF. \times $\frac{1}{4}$ " } Link Anchor Bracket	4	
	9664163	Washer— $\frac{1}{2}$ " shakeproof } to	4	
	9510041	Nut— $\frac{1}{2}$ " UNF. ... Squab Frame	4	
C79	2213940	HENGE POST ASSEMBLY—DOUBLE POST	2	
C80	2204073	Packing Plate—Hinge Post—N.S. (L.H.) } R.H.D.	1	
	2204019	Packing Plate—Hinge Post—O.S. (R.H.) }	1	
	2204072	Packing Plate—Hinge Post—O.S. (R.H.) } L.H.D.	1	
	2204019	Packing Plate—Hinge Post—N.S. (L.H.) }	1	
	2204018	Packing Plate—Leg—Front—O.S. (R.H.) } R.H.D.	1	
C81	2204023	Packing Plate—Leg—Front—N.S. (L.H.) }	1	
	2204023	Packing Plate—Leg—Front—O.S. (R.H.) } L.H.D.	1	
	2204018	Packing Plate—Leg—Front—N.S. (L.H.) }	1	
C82	2204010	Clamp—Front Leg to Packing Plate	2	
	9664163	Washer— $\frac{1}{2}$ " shakeproof } Hinge Post and Clamp	14	
	9510041	Nut— $\frac{1}{2}$ " UNF. ... } to Packing Plate	14	
C83	2204062	SPRING—HELPER—HENGE POST—DOUBLE SEAT ...	2	
C84	2204041	Retaining Pin—Helper Spring	2	
C85	9206532	Clip—Retaining Pin	2	
C86	2204016	CONTROL MECHANISM ASSEMBLY—DOUBLE SEAT ...	1	
	2213933	Connecting Rod—Mechanism to Lock	1	
C87	2204047	Cover Plate—Control Mechanism	1	
C88	H,97572	LOCK ASSEMBLY—DOUBLE SEAT	1	
	39103201	Screw No. 10 UNF. \times $\frac{1}{4}$ "	4	
	9663123	Washer— $\frac{1}{8}$ " shakeproof } Lock to Squab Board	4	
	9510031	Nut—No. 10 UNF.	4	
C89	2204025	Locking Plate—Double Seat	1	
	19504052	Screw— $\frac{1}{2}$ " UNF. \times $\frac{1}{4}$ "	2	
	9664163	Washer— $\frac{1}{2}$ " shakeproof } Locking Plate to Cushion Frame	2	
	9510041	Nut— $\frac{1}{2}$ " UNF.	2	
	39103101	SQUAB BOARD—DOUBLE SEAT		Not supplied
	39104164	Screw—No. 10 UNF. \times $\frac{1}{4}$ "—Squab Board to Squab Frame ...	17	
	39104164	Screw— $\frac{1}{2}$ " UNF. \times $\frac{1}{4}$ "	2	
	9067015	Washer— $\frac{1}{2}$ " plain } Hinge to Squab Board	2	
	9510041	Nut— $\frac{1}{2}$ " UNF.	2	
C90	2204051	MAT—SQUAB BOARD—DOUBLE SEAT	1	

SEATS — FRONT AND REAR

Plate Ref.	Part Number	DESCRIPTION	No. per Veh.	REMARKS
		SEATS — REAR — STATION WAGON — continued		
C91	2204054	SPRING CASE—CUSHION—DOUBLE SEAT	1	
	2204056	Spring Case—Squab—Double Seat	1	
	5101204	Cushion Trim—Double Seat—Vynide VT1146—Bright Red— (Cordova Grain 340 with Overprint)—50" Width— Seat and Squab Cover	A/R	
	5106388	Leathercloth—Off-White—Vynide VT1146—(Cordova Grain— Plain)—1½" Width—Seat Piping	A/R	
C92	5101439	Finisher—Red—Seat Frame—P.V.C.	A/R	
C93	5101439	Finisher—Red—Squab—Top—P.V.C.	A/R	
	9713166	Tapping Screw—No. 8 × 1"—Squab Assembly to Squab Board ...	10	
C94	2213934	FLAP ASSEMBLY—COMPLETE—DOUBLE SEAT	1	
C95	2204031	Hinge—Flap to Bulkhead	2	
	39103084	Screw—No. 10 UNF. × ½"	2	
	9663123	Washer—½" shakeproof	2	
	9510031	Nut—No. 10 UNF.	2	
C96	2204015	Spring Catch Assembly—Flap	1	
	2204048	Mat—Flap—Rubber	1	
C97	2204021	Locking Plate—Spring Catch	1	
	2215942	Fastener—Double Seat Flap	1	
C98	2204005	RAIL—REAR—DOUBLE SEAT	1	
C99	2204067	Support Panel—Double Seat—N.S. (L.H.)—R.H.D.	1	
	2204066	Support Panel—Double Seat—O.S. (R.H.)—L.H.D.	1	
C100	2204014	SEAT FRAME ASSEMBLY—CUSHION—TREBLE SEAT	1	
C101	2204002	Leg—Rear—Treble Seat	1	
C102	2204000	Leg—Front—Treble Seat	1	
	2204011	Bolt—Pivot—Leg—Front—Outer	2	
	2204012	Bolt—Pivot—Leg—Front and Rear Intermediate and Outer ...	6	
	9067015	Washer—1" plain	8	
	9552043	Nut—1" UNF. Nyloc Bolt	8	
C103	2204022	SEAT FRAME ASSEMBLY—SQUAB—TREBLE SEAT	1	
	39104104	Screw—½" UNF. × ½"	6	
	9664163	Washer—½" shakeproof	6	
	9510041	Nut—½" UNF.	6	
	2204026	LINK ASSEMBLY—SQUAB FRAME TO CUSHION FRAME —O.S. (R.H.)	1	
C104	2204027	Link Assembly—Squab Frame to Cushion Frame—N.S. (L.H.) ...	1	
	19504052	Screw—½" UNF. × ½"	4	
	9664163	Washer—½" shakeproof	4	
	9510041	Nut—½" UNF.	4	
	39104104	Screw—½" UNF. × ½"	4	
	9664163	Washer—½" shakeproof	4	
	9510041	Nut—½" UNF.	4	
C105	2213940	HINGE POST ASSEMBLY—CENTRE—TREBLE SEAT	1	
C106	2213941	Hinge Post Assembly—Outer—Treble Seat	2	
C107	2204019	Packing Plate—Hinge Post	3	
C108	2204018	Packing Plate—Leg—Front	3	
C109	2204010	Clamp—Front Leg to Packing Plate	3	
	9664163	Washer—½" shakeproof	21	
	9510041	Nut—½" UNF.	21	
C110	2204062	SPRING—HELPER—HINGE POST—TREBLE SEAT	2	
C111	2204041	Retaining Pin—Helper Spring	2	
C112	9206532	Clip—Retaining Pin	2	
C113	2204030	CONTROL MECHANISM ASSEMBLY—TREBLE SEAT	1	
	2213933	Connecting Rod—Mechanism to Lock	1	
C114	2204046	Cover Plate—Control Mechanism	1	

SEATS — FRONT AND REAR

Plate Ref.	Part Number	DESCRIPTION	No. per Veh.	REMARKS
		SEATS — REAR — STATION WAGON — continued		
C115	H.97572	LOCK ASSEMBLY—TREBLE SEAT	1	
	39103201	Screw—No. 10 UNF. × 1½"	4	
	9663123	Washer—¾" shakeproof	4	
	9510031	Nut—No. 10 UNF.	4	
C116	2204025	Locking Plate—Treble Seat	1	
	19504052	Screw—¼" UNF. × 1"	2	
	9664163	Washer—¼" shakeproof	2	
	9510041	Nut—¼" UNF.	2	
		SQUAB BOARD—TREBLE SEAT		
	39103101	Screw—No. 10 UNF. × ½"—Squab Board to Squab Frame	27	Not supplied
C117	2204050	Mat—Squab Board—Treble Seat	1	
C118	2204004	Locking Plate—Spring Catch—Treble Seat	1	
	2204055	SPRING CASE—CUSHION—TREBLE SEAT	1	
C119	2204057	Spring Case—Squab—Treble Seat	1	
	5101204	Cushion Trim—Treble Seat—Vynide VT1146—Bright Red—(Cordova Grain 340 with Overprint)—50" Width—Seat and Squab Cover	A/R	
	5106388	Leathercloth—Off-White—Vynide VT1146—(Cordova Grain—Plain)—1½" Width—Seat Piping	A/R	
	9713166	Tapping Screw No. 8 × 1"—Squab Assembly to Squab Board... ..	12	
C120	5101439	Finisher—Red—Seat Frame—P.V.C.	A/R	
C121	5101439	Finisher—Red—Squab Top—P.V.C.	A/R	
C122	2214500	FLAP ASSEMBLY—COMPLETE—TREBLE SEAT	1	
C123	2204052	Hinge—Flap to Squab Frame	3	
	39103084	Screw—No. 10 UNF. × ½"	12	
	9663123	Washer—¾" shakeproof	12	
	9510031	Nut—No. 10 UNF.	12	
	39104164	Screw—¼" UNF. × 1"	1	
	9067015	Washer—¼" plain	1	
	9510041	Nut—¼" UNF.	1	
C124	2204015	SPRING CATCH ASSEMBLY—FLAP	1	
C125	2204049	Mat—Squab Flap—Treble Seat	1	
	2213949	Grab Handle—Treble Seat Flap	1	
	9763085	Tapping Screw—No. 8 × ½"	2	
	2215942	Fastener—Treble Seat Flap	2	
C126	2204007	PANEL—RISE—FLOOR—REAR—TREBLE SEAT	1	
	2214521	Closing Panel—Rise—Floor—Rear—Treble Seat	2	
C127	2204069	Floor Panel—Side—Shut Pillar to Wheel Arch—N.S. (L.H.)—R.H.D.	1	
	2204068	Floor Panel—Side—Shut Pillar to Wheel Arch—O.S. (R.H.)—L.H.D.	1	
C128	2204042	Floor Panel—Side—Bulkhead to Wheel Arch—O.S. (R.H.)—R.H.D.	1	
	2204043	Floor Panel—Side—Bulkhead to Wheel Arch—N.S. (L.H.)—L.H.D.	1	

SEATS — FRONT AND REAR

Plate Ref.	Part Number	DESCRIPTION	No. per Veh.	REMARKS
		SEATS — REAR — CARAVAN The following items are fitted prior to Chassis Nos.: 1500/LBP/002021-005467-005607-005739-005829- 005848-006172-006575-006700-007000.		
D129	2208764	BRACKET—FRONT SEAT LOCKER TO FLOOR—O.S. (R.H.)	1	
D130	2208765	Bracket—Front Seat Locker to Floor—N.S. (L.H.)	1	
	19504062	Bolt— $\frac{1}{2}$ " UNF. \times $\frac{1}{2}$ "	4	Not supplied
	9664163	Washer— $\frac{1}{2}$ " plain \times 16 SWG.	4	
	9510041	Washer— $\frac{1}{2}$ " shakeproof	4	Not supplied
		Nut— $\frac{1}{2}$ " UNF.	4	
		Screw—No. 10 \times $\frac{1}{2}$ "—Bracket to Locker	1	
D131	2208767	FRONT SEAT CUSHION FRAME—FRONT	1	
D132	2208768	Front Seat Cushion Frame—Rear	1	
	2208750	Front Seat Spring Case—Cushion	2	
	5110041	Front Seat Cushion Trim—Grey—Duracour—50" Width	A/R	Early Models
	5110042	Front Seat Cushion Trim—Red—Duracour—50" Width	A/R	Late Models
	5108456	Front Seat Cushion Piping—Off-White— $\frac{1}{2}$ " Width—Vynide VT1244—Grain 278	A/R	
D133	2209429	Buffer—Front Cushion Board	2	
D134	H.117729	Lock—Front Seat	4	
D135	2208744	Lock—Cord Pull Assembly	2	
D136	2208766	Striker Plate—Seat Lock	4	
	2208762	Bearing Plate—Front Seat Fitting—O.S. (R.H.)	1	
D137	2208763	Bearing Plate—Front Seat Fitting—N.S. (L.H.)	1	
	2208742	Front Seat Adjusting Mechanism—O.S. (R.H.)	1	
D138	2208743	Front Seat Adjusting Mechanism—N.S. (L.H.)	1	
D139	5038318	Coil Spring—Seat Mechanism	2	
	39104161	Screw— $\frac{1}{2}$ " UNF. \times $\frac{1}{2}$ "	6	
	9664163	Washer— $\frac{1}{2}$ " shakeproof	6	
	9510041	Nut— $\frac{1}{2}$ " UNF.	6	Mechanism to Lock
	39104081	Screw— $\frac{1}{2}$ " UNF. \times $\frac{1}{2}$ "	8	
	9664163	Washer— $\frac{1}{2}$ " shakeproof	8	Mechanism to Seat Frame
	9510041	Nut— $\frac{1}{2}$ " UNF.	8	
D140	2208751	Clearance Channel—Front Seat Mechanism	2	
D141	2208758	Cover Panel—Front Seat Mechanism	2	
D142	2208780	REAR SEAT BOARD EDGE PLATE	1	
	39103081	Screw—No. 10 UNF. \times $\frac{1}{2}$ "	5	Edge Plate to Board
	9067094	Washer— $\frac{3}{8}$ " plain	5	
	9510031	Nut—No. 10 UNF.	5	
D143	2208779	Rear Seat Cushion Retaining Plate	2	
D144	2208769	Rear Seat Bracket Finisher Panel	1	
D145	2208759	Rear Seat Cushion Squab Retaining Bracket	4	
	39104161	Screw— $\frac{1}{2}$ " UNF. \times $\frac{1}{2}$ "—Bracket to	8	Cushion Board
	9510041	Nut— $\frac{1}{2}$ " UNF.	8	
	2208770	Rear Seat Bracket—Squab to Cushion	4	
D146	39104141	Screw— $\frac{1}{2}$ " UNF. \times $\frac{1}{2}$ "—Bracket to	8	Squab Board
	9510041	Nut— $\frac{1}{2}$ " UNF.	8	
	2209461	Rear Seat Cushion Spring Case	1	
	2209462	Rear Seat Squab Spring Case	2	
	5110041	Rear Seat Cushion Trim—Grey—Duracour—50" Width	A/R	Early Models
	5110042	Rear Seat Cushion Trim—Red—Duracour—50" Width	A/R	Late Models
	5108456	Rear Seat Cushion Piping—Off-White— $\frac{1}{2}$ " Width—Vynide VT1244—Grain 278	A/R	
	2209463	SINGLE BED SPRING CASE	1	
	5110041	Single Bed Trim—Grey—Duracour—50" Width	A/R	Early Models
	5110042	Single Bed Trim—Red—Duracour—50" Width	A/R	Late Models
	5108462	Single Bed Cushion Piping—Off-White— $\frac{1}{2}$ " Width—Vynide VT1244—Grain 278	A/R	
	5101114	Single Bed Cover—Red—Back—Leathercloth—50" Width— PTV369—Cordova Grain	A/R	

SEATS — FRONT AND REAR

Plate Ref.	Part Number	DESCRIPTION	No. per Veh.	REMARKS
		SEATS — REAR — CARAVAN — continued		
		The following items are fitted on and after Chassis Numbers: 1500/LBF/002021-005467-005607-005739-005829-005848- 006172-006575-006760-007000—onwards.		
D147	2215344	DOUBLE SEAT FRONT LEG ASSEMBLY	1	
D148	2215334	Roller—Front—Leg	1	
D149	2215335	Bolt—Special ... } Roller to	1	
	9551044	Nut— $\frac{1}{2}$ " UNF, Nyloc } Front Leg	1	
D150	2215338	Lock Mounting Bracket Assembly—O.S. (R.H.)	1	
D151	2215339	Lock Mounting Bracket Assembly—N.S. (L.H.)	1	
	9143052	Rivet—Mounting Bracket to Front Leg	2	
D152	2215336	Lock Bolt—O.S. (R.H.)	1	
D153	2215337	Lock Bolt—N.S. (L.H.)	1	
	19059026	Grub Screw—No. 10 UNF, \times .344"—Lock Bolt to Bracket	2	
D154	2215913	Knob—Red—Bolt	2	
D155	2215343	DOUBLE SEAT REAR LEG ASSEMBLY	1	
D156	2215334	Roller—Rear Leg	1	
D157	2215335	Bolt—Special ... } Roller to Rear Leg	1	
	9551044	Nut— $\frac{1}{2}$ " UNF, Nyloc }	1	
	9119027	Buffer—Rubber—Rear Leg	2	
D158	2215901	Slide Tube—Side	2	
	9143052	Rivet—Slide Tube to Front and Rear Legs	4	
D159	2215332	Hinge Bracket and Slider Assembly—O.S. (R.H.)	1	
D160	2215333	Hinge Bracket and Slider Assembly—N.S. (L.H.)	1	
	9551044	Nut— $\frac{1}{2}$ " UNF, Nyloc } Hinge Bracket to Cushion	2	
	9067098	Washer— $\frac{1}{4}$ " plain } and Squab Frame	2	
D161	2215132	DOUBLE SEAT SQUAB FRAME ASSEMBLY	1	
D162	2215107	Lock Bolt Assembly—Squab	2	
	39302044	Screw—No. 8 UNC, \times $\frac{1}{4}$ " } Lock to	12	
	9663113	Washer— $\frac{3}{8}$ " shakeproof } Frame	12	
D163	2215914	Knob—Red—Lock Bolt	2	
D164	9119027	Buffer—Rubber—Squab Frame	4	
D165	2215131	DOUBLE SEAT CUSHION FRAME ASSEMBLY	1	
	2215183	Double Seat Spring Case—Cushion	1	
D166	2215146	Runner—Cushion	1	
	9772086	Screw—No. 6 \times $\frac{1}{4}$ "—Runner to Cushion	2	
D167	2215145	Stiffener Angle—Cushion	1	
	2215183	Double Seat Spring Case—Squab	1	
D168	2215143	Retainer Bracket—Seat Frame	4	
	9774166	Screw—No. 10 \times 1"—Bracket to Floor	16	
	2511660 (5110043)	Double Seat Cushion Trim—Red—Duracour—50" Width	A/R	
	5108456	Double Seat Cushion Piping—Off White—14" Width—Vynside VT1244—Grain 278	A/R	
D169	2215346	SINGLE DETACHABLE SEAT FRONT LEG	1	
D170	2215345	Single Detachable Seat Rear Leg	1	
D171	2215326	Side Rail—Underframe—O.S. (R.H.)	1	
D172	2215327	Side Rail—Underframe—N.S. (L.H.)	1	
	9143052	Rivet—Leg to Side Rail	4	
D173	2215124	SINGLE DETACHABLE SEAT SQUAB FRAME ASSEMBLY	1	
	9551044	Nut— $\frac{1}{2}$ " UNF, Nyloc } Squab Assembly	2	
	9067098	Washer— $\frac{1}{4}$ " plain } to Underframe	2	
D174	2215113	Retainer Bracket—Single Detachable Seat	2	
	39103081	Screw—No. 10 UNF, \times $\frac{1}{4}$ " } Retainer Plate	8	
	9510031	Nut—No. 10 UNF, ... } 10	8	
	9663123	Washer— $\frac{3}{8}$ " shakeproof } Side Rail	8	

SEATS — FRONT AND REAR

Plate Ref.	Part Number	DESCRIPTION	No. per Veh.	REMARKS
		SEATS — REAR — CARAVAN — continued		
D175	2215110	CATCH ASSEMBLY—SINGLE DETACHABLE SEAT ...	1	
	2215129	Spring	2	
D176	2215914	Knob—Red—Centre Arm	1	
	2215188	Single Detachable Seat Spring Case—Cushion	1	
	2215187	Single Detachable Seat Spring Case—Squab	1	
	2511660 (5110043)	Single Seat Cushion Trim—Red—Duracour—50" Width ...	A/R	
	5108456	Single Seat Cushion Piping—Off-White—1½" Width—Vynide VT1244—Grain 278	A/R	
D177	2215144	SINGLE FIXED SEAT SQUAB FRAME ASSEMBLY ...	1	
D178	9119027	Buffer—Rubber—Squab Frame	2	
	2215192	Single Fixed Seat Spring Case—Cushion	1	
	2215193	Single Fixed Seat Spring Case—Squab	1	
	2511660 (5110043)	Single Fixed Seat Cushion Trim—Red—Duracour—50" Width	A/R	
	5108456	Single Seat Cushion Piping—Off-White—1½" Width—Vynide VT1244—Grain 278	A/R	

HEATER KITS

HEATER KIT — FRONT COMPARTMENT

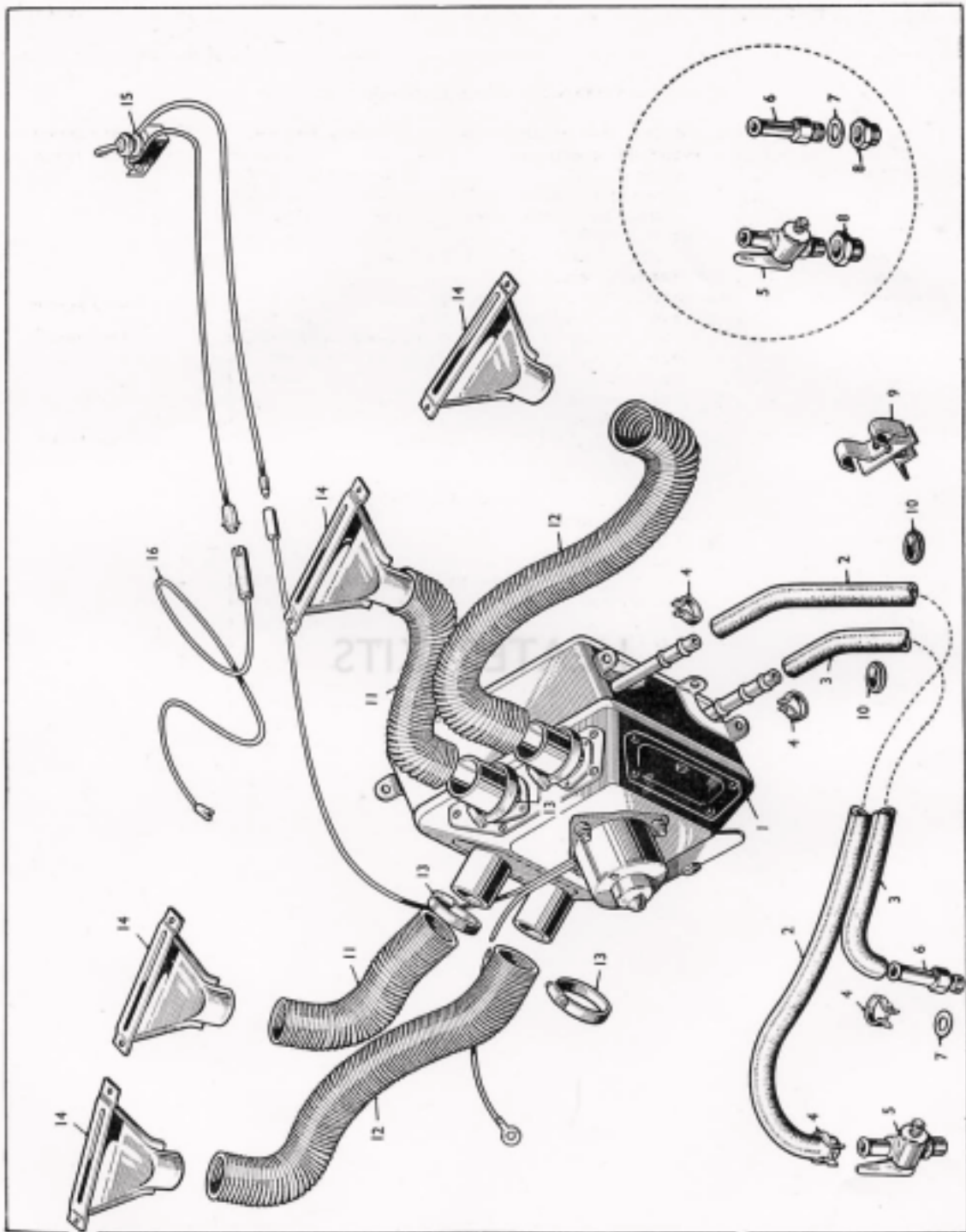


PLATE A

HEATER KIT — FRONT COMPARTMENT

Place Ref.	Part Number	DESCRIPTION	No. per Veh.	REMARKS
		FITTED TO SPECIAL ORDER ONLY		
	1200073	HEATER AND DEMISTER KIT Smith FHQ.4245/03	1	Petrol Models
	1202926	Heater and Demister Kit FHQ.4245/04	1	Diesel Models
A1	1201894	Heater Unit 1-011-17-7019/7	1	
	5038374	Wire Mesh—Heater Unit Door CH.48721	2	
	9056028	Heater Door Frame Screw 30-216-116-11	8	
	19504041	Bolt— $\frac{1}{2}$ " UNF. \times $\frac{1}{4}$ " } Heater Unit to Body 4	4	
	9067014	Washer— $\frac{1}{2}$ " plain } 4	4	
	9660161	Washer— $\frac{1}{2}$ " spring } 4	4	
A2	1202924	Hose—Heater Unit to Water Tap CH.78502-10	1	} Petrol Models
A3	1201899	Hose—Heater Unit to Water Union CH.78502-09	1	
	1201899	Hose—Heater Unit to Water Tap and Union ... CH.78502-09	2	} Diesel Models
A4	P.43225	Hose Clip 4	4	
A5	1202051	Water Tap 40-351-110	1	
A6	9169001	Union—Straight CHS.689	1	
A7	9078031	Union—Washer 1	1	
A8	9217350	Adaptor— $\frac{1}{2}$ "— $\frac{1}{2}$ " B.S.P.—Tap and Union 2	2	} Diesel Models
A9	3023536	Hose Clip CH.613786	1	
	19504041	Bolt— $\frac{1}{2}$ " UNF. \times $\frac{1}{4}$ " } Hose Clip Assembly to Body 1	1	
	9510040	Nut— $\frac{1}{2}$ " UNF. } 1	1	
	9660161	Washer— $\frac{1}{2}$ " spring } 1	1	
	P.43469	Strip—Plastic—6" long } Hose to 1	1	
	P.43470	Stud } Hose 2	2	
A10	9116157	Grommet—Water Pipes through Floor 30-781-372	2	
A11	1201897	Demister Hose—Inner FHD.7115/PAB/48	2	
A12	1201898	Demister Hose—Outer FHD.7115/PAB/104	2	
A13	9784281	Hose Clip 4	4	
A14	1202925	Demister Nozzle FHD.1244	4	
	9743066	Screw—No. 10 \times $\frac{1}{4}$ " } Nozzle 8	8	
	9020041	Spire Nut } Fixing 8	8	
A15	1200349	Blower Switch c/w Leads FHE.2501	1	
A16	1205086	Wiring Assembly FHE.2102/03	1	
	9763085	Screw—No. 10 \times $\frac{1}{4}$ " } Parcel Tray 4	4	
	9670813	Washer—No. 8 } Fixing 4	4	

HEATER KIT — REAR COMPARTMENT

Plate Ref.	Part Number	DESCRIPTION	No. per Veh.	REMARKS
		SPECIAL ACCESSORY ONLY		
		HEATER KIT—REAR COMPARTMENT		
	1205720	HEATER KIT—REAR COMPARTMENT	1	Van Models only. Must be used in conjunction with Front Compartment Heater Kit
	1205721	Heater Unit Smith 011-17-7019/24	1	
	1205722	Heater Mounting Bracket 011-17-7019/9	2	
	19503042	Screw—No. 10 UNF. × ½" } Heater	6	
	19503052	Screw—No. 10 UNF. × ½" } Heater	2	
	9510031	Nut—No. 10 UNF. } Fixing	8	
	9663123	Washer—½" shakeproof } Fixing	8	
	1205723	Hose—57" long 011-17-7019/H	1	
	1205724	Hose—68" long 011-17-7019/I	1	
	P.43225	Hose Clip 40-276-112	8	
	P.116691	"T" Piece Connector FHW.6101	2	
	P.43469	Strip—Plastic—6" long } Hose	4	
	P.43470	Seal } Fixing	2	
	9116157	Grommet—Water Hose through Partition ... 30-781-372	2	
	1200349	Blower Switch c/w Leads FHE.2501	1	
	1205726	Wiring Assembly c/w Fuse 011-17-7019/E	1	
	9118500	Grommet—Wiring Assembly	1	
		HEATER KIT—REAR COMPARTMENT		
	1203083	Heater Kit Smith 011-17-7019/8	1	Not supplied 12-Seat Bus and Contractors Bus Models only. Must be used on conjunction with Front Compartment Heater Kit
	1203084	Heater Kit Smith 011-17-7019/8	1	
	19104201	Wooden Batten	4	
	9067017	Bolt—½" UNF. × 2½" } Heater Fixing	4	
	9664162	Washer—½" plain	4	
	9510040	Washer—½" shakeproof } Heater Fixing	4	
	9510040	Nut—½" UNF.	4	
	1205723	Hose—57" long 011-17-7019/H	2	
	P.43225	Hose Clip 40-276-112	8	
	P.116691	"T" Piece Connector FHW.6101	2	
	P.43469	Strip—Plastic—6" long } Hose	2	
	P.43470	Stud } Fixing	4	
	1203208	Hose Clip Assembly SHF.5329	1	
	9116146	Grommet—Heater Pipe through Floor	2	
	1200349	Blower Switch c/w Leads FHE.2501	1	
	1205726	Wiring Assembly c/w Fuse 011-17-7019/E	1	
	9118500	Grommet—Wiring Assembly	1	

TOOLS

TOOLS

Plate Ref.	Part Number	DESCRIPTION	No. per Veh.	REMARKS
	P.100976	Tool Roll	1	
	1203281	Wheel Brace	1	
	1203581 (1219025)	Lifting Jack	1	1500 Series
	1219011	Lifting Jack	1	2500 Series
	P.49330	Distributor Key	1	Petrol Models
	P.42165	Tyre Valve Key	1	
	HL27223	"T" Key—Spare Wheel Locker	1	Bottle Float
	9221200	Spanner—Sump Plug	1	} Petrol Models
	9221512	Spanner (Box)—Sparking Plug	1	
	P.53782	Tommy Bar—Box Spanner	1	
	P.49292	Spanner—Injector Ring Nut	1	Diesel—Early Models only
	P.102296	Nave Plate Extractor	1	
		Starting Handle		See Special Accessories
		<p>Note. For Open-Ended Spanners, Pliers and Screwdrivers, see 1800515 Tool Kit—Special Accessories</p>		

SPECIAL ACCESSORIES

SPECIAL ACCESSORIES

Plate Ref.	Part Number	DESCRIPTION	No. per Veh.	REMARKS
	5200281	AMMETER KIT	1	See Note 1—Page 368
	1046562	Ammeter Gauge	1	
	2214658	ASH BOWL—RED—DRIVER'S COMPARTMENT	1	} Goods Models
	9722082	Tapping Screw—No. 6 × 1/2"—Ash Bowl	3	
	9020000	Spire Nut	3	
	1219353	BRAKE SERVO KIT	1	See Note 2—Page 368
	5040220	Brake Servo Unit	1	
	5040893	Mounting Bracket	1	} L.H.D. R.H.D.
	19605051	Screw—3/8" UNC. × 1/2" } Mounting Bracket	2	
	19505051	Screw—3/8" UNF. × 1/2" }	1	
	19105201	Screw—3/8" UNF. × 2 1/2" }	1	
	9661201	Washer—3/8" spring } Fixings	4	
	9067024	Washer—3/8" plain	1	
	9510050	Nut—3/8" UNF.	2	
	9232021	Vacuum Hose—Manifold to Servo	1	
	5040240	Connection—Straight—Vacuum Hose to Manifold	1	
	5039756	Sealing Cap—Rubber	1	
	9169024	Connection—Elbow—Vacuum Hose to Servo	1	
	9176086	Clip—Vacuum Hose Support	4	
	5040912	Hydraulic Pipe Assembly—72" long	2	
	9217318	Adaptor—1/2" UNF. } Hydraulic	1	
	9159232	Banjo ... } Pipe	1	
	9159520	Bolt—1/2" UNF.—Banjo	1	
	9077037	Washer—Copper—Large	1	
	9077030	Washer—Copper—Small	2	
	5040913	Connector Tube	1	
	9176102	Clip—Hydraulic Pipe Support	4	
	39033120	Bolt—2 BA × 1/2" }	2	
	9661121	Washer—3/8" spring } Pipe Clip Fixings	2	
	9600521	Nut—2 BA	2	
	5040914	Grommet	1	
	5040894	Remote Breather	1	
	5040895	MAJOR REPAIR KIT }	1	} Petrol Models— Export only
	5040896	Poppet Valve Repair Kit } Brake Servo Kit	1	
	5040897	Non-Return Valve Kit }	1	
	2208493	BUMPER—FRONT—CHROME FINISH	1	Replaces Standard Bolt
	2209054	Bolt—1/2" UNF.—Chrome Finish—Support Bracket to Bumper	2	
	5200333	BUMPER KIT—REAR—BLACK FINISH	1	
	2202913	Bumper—Rear—Black Finish	2	
	2204414	Mounting Bracket—Outer—O.S. (R.H.)	1	
	2204415	Mounting Bracket—Outer—N.S. (L.H.)	1	
	2204412	Spacer—Mounting Bracket	2	
	2202916	Mounting Bracket—Inner—O.S. (R.H.)	1	
	2202917	Mounting Bracket—Inner—N.S. (L.H.)	1	
	2209053	Bolt—1/2" UNF.	4	
	9660241	Washer—1/2" spring } Mounting Bracket	4	
	9067041	Washer—1/2" plain } to Bumper	4	
	9510060	Nut—1/2" UNF.	4	
	19106191	Bolt—1/2" UNF. × 2 1/2" }	4	
	9660241	Washer—1/2" spring ... } Mounting Bracket—	4	
	9067041	Washer—1/2" plain ... } Inner to Sidemember	8	
	9510060	Nut—1/2" UNF.	4	
	19506081	Screw—1/2" UNF. × 1" }	4	
	9660241	Washer—1/2" spring ... } Mounting Bracket—	4	
	9067041	Washer—1/2" plain ... } Outer to Body	8	
	9510060	Nut—1/2" UNF.	4	

SPECIAL ACCESSORIES

Plate Ref.	Part Number	DESCRIPTION	No. per Veh.	REMARKS	
	2206711	BUMPER KIT—REAR—CHROME FINISH	1		
	2204376	Bumper—Rear—Chrome Finish	2		
	2204414	Mounting Bracket—Outer—O.S. (R.H.)... ..	1		
	2204415	Mounting Bracket—Outer—N.S. (L.H.)... ..	1		
	2204412	Spacer—Mounting Bracket	2		
	2202916	Mounting Bracket—Inner—O.S. (R.H.)... ..	1		
	2202917	Mounting Bracket—Inner—N.S. (L.H.)... ..	1		
	2209054	Bolt— $\frac{1}{2}$ " UNF.—Chrome Finish	4		
	9660241	Washer— $\frac{1}{2}$ " spring	4	Mounting Bracket to Bumper	
	9067041	Washer— $\frac{1}{2}$ " plain	4		
	9510060	Nut— $\frac{1}{2}$ " UNF.	4		
	19106191	Bolt— $\frac{1}{2}$ " UNF. \times $2\frac{1}{2}$ "	4		
	9660241	Washer— $\frac{1}{2}$ " spring	4	Mounting Bracket— Inner to Sidemember	
	9067041	Washer— $\frac{1}{2}$ " plain	8		
	9510060	Nut— $\frac{1}{2}$ " UNF.	4		
	19506081	Screw— $\frac{1}{2}$ " UNF. \times $1\frac{1}{2}$ "	4		
	9660241	Washer— $\frac{1}{2}$ " spring	4	Mounting Bracket— Outer to Body	
	9067034	Washer— $\frac{1}{2}$ " plain	8		
	9510060	Nut— $\frac{1}{2}$ " UNF.	4		
	5220381 (1228949)	ELECTRIC CLOCK KIT	1		
	1228949	Electric Clock Kit	1		
	2212925	FIRE EXTINGUISHER	1		
	1800589	Fire Extinguisher—4 ozs.	1	Alternative	
	1224115	FLASHER SWITCH KIT—HEADLAMP	1		
	P.103989 (1228356)	FUEL TANK FILLER CAP—LOCKING	1		
	1228356	Fuel Tank Filler Cap—Locking	1		
	1236490	HEADLAMP LENS CONVERTOR KIT	1	R.H.D. Models only	
		HEATER—FRONT COMPARTMENT		See Heater Kit	
		HEATER—REAR COMPARTMENT		See Heater Kit	
	5037381 (1800129)	LAMP—FOG c/w CABLE AND SWITCH	1		
	2205620	Bracket—Fog Lamp—O.S. (R.H.)	1		
	2205621	Bracket—Fog Lamp—N.S. (L.H.)	1		
	5037380 (1800128)	LAMP—SPOT c/w CABLE AND SWITCH	1		
	2205620	Bracket—Spot Lamp—O.S. (R.H.)	1		
	2205621	Bracket—Spot Lamp—N.S. (L.H.)	1		
	1205977 (1217981)	LAMP KIT—REVERSE	1		
	P.46379	Lamp—Reverse	1		
	9732083	Screw—No. 6 \times $\frac{1}{2}$ " } Lamp to	3	to Body	
	9020010	Spire Nut	3		
	P.46380 (1800132)	Switch c/w Warning Light	1	Lucas 56SA-31696	
	P.49293	Cable Clip—Reverse Lamp	10		
	9118500	Grommet—Reverse Lamp Cable	1		
	1217981	LAMP KIT—REVERSE	1	Alternative Reverse Lamp Kit— Note:— Reverse Lamps are not interchangeable	
	1217977	Lamp—Reverse c/w Fixing Nut	1		
	5041050	Lens c/w Rim and Fixing Screw	1		
	K.26796	Bulb—12 v. 21 w.	1		L382
	9732083	Screw—No. 6 \times $\frac{1}{2}$ "—Lamp to Body	2		
	1217978	Switch c/w Warning Light... ..	1		
	P.49293	Clip—Cable—Reverse Lamp	10		
	9118500	Grommet—Reverse Lamp Cable	1		

SPECIAL ACCESSORIES

Plate Ref.	Part Number	DESCRIPTION	No. per Veh.	REMARKS
	1208532	LIGHTING KIT—INTERIOR	1	} Van and Contractors Bus
	1046908	Lamp—Interior	2	
	2214731	Support Plate—Interior Lamp	2	
	9732104	Screw—Lamp to Roof	10	
	1046906	Switch—Interior Lamp	1	
	9178579	Clip—Castrail	6	
	2213776	LIGHTING KIT—INTERIOR	1	} Alternative to 1208532 for Contractors Bus only
	1046908	Lamp—Interior	4	
	9732104	Screw—Lamp to Roof	8	
	1046906	Switch—Interior Lamp	1	
	9178579	Clip—Castrail	6	
	2229913	LUGGAGE CLAW	1	
	2227520	MIRROR ASSEMBLY—STRAIGHT ARM	1	} With Convex Lens and Chrome Finish
	2227522	Mirror Assembly—Hinged Arm	1	
	2227519	Extension Arm	1	
	2216640	MIRROR KIT—INTERIOR—REAR VISION	1	
	39203105	Screw—No. 10 UNF. x 1/4"	1	
	9724125	Screw—No. 10 UNF. x 1/4"	1	
	3058655	MUD FLAP KIT—"COMMER"	1	
	5200283 (3019639)	OIL PRESSURE GAUGE KIT	1	} See Note 1—Page 368
	1046559	Oil Pressure Gauge	1	
	9079099	Washer—Cork	1	
	1205167	Pipe (Line)—Cylinder Block to Oil Pressure Gauge	1	
	P.42694 (9151006)	Union—in Cylinder Block	1	
	P.49338 (9178539)	Clip—Pipe to Engine Compartment—Front	1	
	P.49285 (9178532)	Clip—Pipe to Frame Sidemember Flange	2	
	1205067	PEDAL PAD—Rubber—BRAKE AND CLUTCH	2	
	5220092	REM FINISHER	1 set	
	1200421	Rim Finisher	5	
	2206244	ROOF RACK (Interior Dimensions—52 1/2" x 42 1/2")	1	} Van and Light Bus Caravan
	2215918	Roof Rack—(Interior Dimensions—46 1/2" x 30 1/2")	1	
	2231238	SAFETY BELT—LAP/DIAGONAL—KIT	1	} Driver's and Passenger's Seat
	2223525	Safety Belt—Lap—Kit	1	
	2223525	Safety Belt—Lap—Kit	1	Centre Seat
	P.118718	SCREENWASHER KIT	1	
	1202164	Container	1	
	1202991 (1217810)	Control Assembly	1	} See Note 3—Page 368
	P.117486	Knob—Control	1	
	P.43555	Hose—156" long	A/R	Order in feet
	1202715	Jet Assembly	2	
	1800394	"T" Connection	1	See Note 3—Page 368
	5200295 (5200565)	SEAT KIT—RED—CENTRE—TRIMMED	1	} Goods Models — See Special Note A—Page 368 For details of Seat Trim Material See Page 338
	5200565	Seat Kit—Red—Centre—Trimmed	1	
	2202985	Seat Frame Assembly	1	
	5037805	Back Spring	5	
	2205799	Cushion Bottom Frame	1	
	2059699	Cushion Cover Assembly—Red—Seat	1	
	2516319	Cushion Cover Assembly—Red—Seat	1	Early Condition Late Condition

SPECIAL ACCESSORIES

Plate Ref.	Part Number	DESCRIPTION	No. per Veh.	REMARKS
	H.83288 (9130042)	Clip—Cushion—Fixing	6	Goods Models—See Special Note A—Page 368 For details of Seat Trim Material See Page 338
	P.49178 (9132536)	Trim Clip	6	
	2509691	Cover Assembly—Red—Squab	1	
	2516322	Cover Assembly—Red—Squab	1	
	H.83288 (9130042)	Clip—Squab Fixing	6	
	9722085	Tapping Screw—No. 6 × 1/2" Trim to	2	
	9670613	Cup Washer	2	
	2204993 (2217511)	STAY ASSEMBLY—ENGINE COVER	1	
	9067098	Washer—1/2" plain	2	
	9510041	Nut—1/2" UNF. } Stay to Anchor Bracket	2	
	9520041	Locknut—1/2" UNF. }	1	
	2204950	Anchor Bracket Assembly—Stay	1	
	9733049	Tapping Screw—No. 8 × 1/2"—Anchor Bracket Fixing... ..	2	
	2205584	Stay Securing Bracket	1	
	2205582	Retainer—Engine Cover Stay	1	
	2205583	Retainer Bracket—Stay	1	
	9733049	Tapping Screw—No. 8 × 1/2"—Retainer Bracket Fixing	2	
	2217511	STAY ASSEMBLY—ENGINE COVER	1	
	2217513	Check Link Assembly	1	
	2217551	Channel—Check Link	1	
	9067099	Washer } Channel—	1	
	9206549	Washer } Check Link Fixing	1	
	1202763	Clip—Linkage	1	
	9734066	Tapping Screw } Channel Check	2	
	9663123	Washer } Link	2	
	5200285 (5200564)	SEAT KIT—RED—PASSENGER—TRIMMED	1	
	5200564	Seat Kit—Red—Passenger—Trimmed	1	
	2203704	Seat Frame Assembly	1	
	5037805	Back Spring	5	
	2205670	Cushion Bottom Frame	1	
	2510256 (2516302)	Cushion Cover Assembly—Red—Seat	1	
	2516302	Cushion Cover Assembly—Red—Seat	1	
	H.83288 (9130042)	Clip—Cushion Fixing	6	
	P.49178 (9132536)	Trim Clip—Cushion	6	
	2510259	Cover Assembly—Red—Squab	1	
	2516309	Cover Assembly—Red—Squab	1	
	H.83288 (9130042)	Clip—Sqab Fixing	6	
	9722085	Tapping Screw—No. 6 × 1/2" Trim to	2	
	9670613	Cup Washer	2	
	2202987	Clip—Seat Fixing	1	
	2208611	Clip—Seat Fixing	1	
	19504062	Screw—1/2" UNF. × 1/2" } Clip to	4	
	9664163	Washer—1/2" shakeproof } Wheel Arch	4	
	2203240	Wearing Strip—Seat to Floor	2	
	P.49001 (5240464)	Rivet—Wearing Strip	8	
	5200304	STARTING HANDLE AND TUBE KIT	1	
	1202968	Starting Handle Assembly	1	
	1205409	Starting Handle Tube Assembly	1	
	19506062	Screw—1/2" UNF. × 1/2" } Tube Assembly to	2	
	9664241	Washer—1/2" shakeproof } Body Front Panel	2	
	19504042	Screw—1/2" UNF. × 1/2" }	2	
	9067017	Washer—1/2" plain ... } Tube Assembly to	2	
	9660161	Washer—1/2" spring ... } Cross Member	2	
	9510040	Nut—1/2" UNF. ... }	2	
	2208355	Bearing Plate—Front Bumper	1	

SPECIAL ACCESSORIES

Plate Ref.	Part Number	DESCRIPTION	No. per Veh.	REMARKS
	19504061	Screw— $\frac{1}{4}$ " UNF. \times $\frac{1}{2}$ "	2	} Petrol Models—Series I
	9067018	Washer— $\frac{1}{4}$ " plain	4	
	9664162	Washer— $\frac{1}{4}$ " shakeproof	2	
	9510040	Nut— $\frac{1}{4}$ " UNF.	2	
	H.80658	Clip—Starting Handle Stowage	3	
	9734063	Tapping Screw—No. 10 \times $\frac{1}{4}$ "—Clip	3	
	5200390	STARTING HANDLE AND TUBE KIT	1	} All Petrol Models
	1202968	Starting Handle Assembly	1	
	1214494	Starting Handle Tube Assembly	1	
	39303061	Screw—No. 10 UNF. \times $\frac{1}{2}$ "	2	
	9067208	Washer— $\frac{1}{8}$ " plain	2	
	9086036	Washer— $\frac{1}{8}$ " spring	2	
	9510030	Nut—No. 10 UNF.	2	
	19504042	Screw— $\frac{1}{4}$ " UNF. \times $\frac{1}{2}$ "	2	
	9067017	Washer— $\frac{1}{4}$ " plain	2	
	9660161	Washer— $\frac{1}{4}$ " spring	2	
	9510040	Nut— $\frac{1}{4}$ " UNF.	2	
	2206247	Bearing Plate—Front Bumper	1	
	19504061	Screw— $\frac{1}{4}$ " UNF. \times $\frac{1}{2}$ "	2	
	9067018	Washer— $\frac{1}{4}$ " plain	4	
	9664162	Washer— $\frac{1}{4}$ " shakeproof	2	
	9510040	Nut— $\frac{1}{4}$ " UNF.	2	
	9178131	Clip—Starting Handle Stowage	3	
	9734063	Tapping Screw—No. 10 \times $\frac{1}{4}$ "—Clip	3	
	1216937	Support Bracket	1	} Petrol Models—Series II—Late Condition
	19504052	Screw— $\frac{1}{4}$ " UNF. \times $\frac{1}{2}$ "	2	
	9067017	Washer— $\frac{1}{4}$ " plain	2	
	9660161	Washer— $\frac{1}{4}$ " spring	2	
	9510040	Nut— $\frac{1}{4}$ " UNF.	1	
	1216098	START PILOT KIT—COMPLETE	1	} To facilitate Diesel Starting in Sub-Zero Temperatures
	39304122	Screw— $\frac{1}{4}$ " UNF. \times $\frac{1}{2}$ "	1	
	9664162	Washer— $\frac{1}{4}$ " shakeproof	1	
	9510040	Nut— $\frac{1}{4}$ " UNF.	1	
	9179004	Clip—Nylon Pipe to Radiator Cowl	1	
	9179104	Clip—Nylon Pipe to Harness	2	
	1216110	Spray Nozzle	1	
	H.118572	SUN VISOR ASSEMBLY—INTERIOR—O.S. (R.H.)	1	
	9763125	Tapping Screw—No. 8 \times $\frac{1}{2}$ "—Sun Visor	3	
	H.118573	SUN VISOR ASSEMBLY—INTERIOR—N.S. (L.H.)	1	
	9763125	Tapping Screw—No. 8 \times $\frac{1}{2}$ "—Sun Visor	3	
	2215559	SUN VISOR KIT—INTERIOR—FULL WIDTH	1	
	1216896	THERMOMETER KIT	1	} See Note 1—Page 368
	1046558 (1800356)	Thermometer Gauge	1	
	P.46371	Bulb—Thermometer	1	
		Thermometer Adaptor—Diesel	1	} See Diesel 4-99 Cylinder Head—Page 66
	1207668 (1800515)	TOOL KIT	1	
	9221200	Spanner—Sump Plug	1	
	1207928	TYRE INFLATOR KIT—MULTI-PURPOSE	1	

SPECIAL ACCESSORIES

Plate Ref.	Part Number	DESCRIPTION	No. per Veh.	REMARKS
	5200248	VENTILATOR KIT—ROOF	1	} Van
	2203974	Ventilator	1	
	19503031	Screw—No. 10 UNF, × 1/2"	10	
	K.21921	Washer—5/8" spring } Ventilator to Roof	10	
	9067014	Washer—5/8" plain	10	
	2204098	Mesh—Ventilator	1	
	2227824	WHEEL BRACE ASSEMBLY	1	
		<p>Note 1. Two only of the following Gauges may be fitted to each Facia Panel: Ammeter, Oil Pressure or Thermometer.</p> <p>Note 2. A replacement Brake Servo Unit is available in part exchange for the original unit.</p> <p>Special Note A. Introduction of design change to the Seat Trim; on later vehicles the Seat Trim is electrically welded (not sewn). Supplies of the original type Leathercloth will be maintained to enable cushion or Squabs to be re-covered by hand method.</p> <p>Note 3. You are advised that Control Assembly Part No. 1202991 has been superseded by Control Assembly 1217810. You are further advised that when fitting 1217810 in place of 1202991, "T" Connection 1800394 must also be used and ordered separately.</p>		

PAINT

PAINT

Plate Ref.	Part Number	DESCRIPTION	No. per Veh.	REMARKS	
INTERIOR AND EXTERIOR PAINT COLOURS					
	5100590 (5115072)	Embassy Black (1 pint)	A/R	} No longer supplied	
	5100591 (5115073)	Embassy Black (4 pints)	A/R		
	5100695 (5115074)	Pippen Red (1 pint)	A/R		
	5100696 (5115075)	Pippen Red (4 pints)	A/R		
	5100805 (5115082)	Wickham Blue (1 pint)	A/R		
	5100806 (5115083)	Wickham Blue (4 pints)	A/R		
	5100840 (5115090)	April Yellow (1 pint)	A/R		
	5100841 (5115091)	April Yellow (4 pints)	A/R		
	5101040 (5115092)	Seacrest Green (1 pint)	A/R		
	5101041 (5115093)	Seacrest Green (4 pints)	A/R		
	5106352 (5115110)	Foam White (1 pint)	A/R		
	5106353 (5115111)	Foam White (4 pints)	A/R		
	5108972	Toledo Red (1 pint)	A/R		
	5108973	Toledo Red (4 pints)	A/R		
	5112215 (5115174)	Caribbean Blue (1 pint)	A/R		
	5112216 (5115175)	Caribbean Blue (4 pints)	A/R		
	5112217 (5115176)	Glade Green (1 pint)	A/R		
	5112218 (5115177)	Glade Green (4 pints)	A/R		
	5112286 (5115182)	Forest Green (1 pint)	A/R		
	5112287 (5115183)	Forest Green (4 pints)	A/R		
	5112495 (5115188)	Orient Red (1 pint)	A/R		
	5112496 (5115189)	Orient Red (4 pints)	A/R		
	5112497 (5115190)	Beige-Brown (1 pint)	A/R		
	5112498 (5115191)	Beige-Brown (4 pints)	A/R		
	5114676 (5115296)	Regency Grey (1 pint)	A/R		
	5114677 (5115297)	Regency Grey (4 pints)	A/R		
MIXING ENAMELS/TINTER COLOURS (1 pint tins only)					
	5240730	Scarlet Oxide	A/R		
	5240731	*Super Black	A/R		
	5240732	*Prussian Black	A/R		
	5240733	White	A/R		
	5240734	*Orange	A/R		
	5240735	*Red Oxide	A/R		
	5240736	*Blue Black	A/R		
	5240737	Deep Purple Blue	A/R		
	5240738	Fast Red	A/R		
	5240739	Fast Maroon	A/R		
	5240740	*Fast Blue	A/R		
	5240741	Fast Green	A/R		
	5240742	Fast Violet	A/R		
	5240743	Fast Yellow	A/R		
	5240744	*Ochre	A/R		
	5240745	*Middle Chrome	A/R		
	5240746	Fast Green Gold	A/R		
	5240747	Reduced Ochre	A/R		
	5240748	Reduced Fast Blue	A/R		
	5240749	Reduced Fast Green	A/R		
	5240750	Reduced Blue Black	A/R		
	5240751	Reduced Red Oxide	A/R		
	5240752	Extra Fine Silver	A/R		
	5240753	Fine Silver	A/R		
	5240754	Bright Silver	A/R		
	5240755	Burnt Sienna	A/R		
	5240756	Permanent Brown	A/R		
	5240778	Fast Blue (Green Tone)	A/R		
*Note. These items should NOT be used with Metallic Colours.					

PAINT

Plate Ref.	Part Number	DESCRIPTION	No. per Veh.	REMARKS
		RE-FINISHING MATERIALS/ANCILLARY PRODUCTS		
	5240695	Cellulose Red Primer (4 pint tin)	A/R	
	5240696	Grey Primer Filler (4 pint tin)	A/R	
	5240697	Cellulose Grey Stopper (7 lb. tin)	A/R	
	5240698	Cellulose Thinner (5 gallon tin)	A/R	
	5240699	Cellulose Thinner (1 gallon tin)	A/R	
	5240700	Half-Hour Thinner (5 gallon tin)	A/R	
	5240701	Half-Hour Thinner (1 gallon tin)	A/R	
	5240702	Smoothing Compound (6 lb. tin)	A/R	
	5240703	Metal Conditioner and Rust Remover (1 gallon tin)	A/R	
	5240759	Paint Remover (1 gallon tin)	A/R	
	5240133	Liquid Polish (10 oz. tin)	A/R	

REPLACEMENT SERVICE UNITS

This section lists collectively the units and components which are serviced by the Rootes Replacement Service Scheme in the Home Market.

Units or components which are the subject of original manufacturers' exchange schemes (*e.g.*, Lucas Electrical Units) are not included.

REPLACEMENT SERVICE UNITS

Plate Ref.	Part Number	DESCRIPTION	No. per Veh.	REMARKS
		PETROL ENGINE (1494 c.c.)		
	5200292	Engine (Motor) Unit	
	P.106976	Flywheel and Starter Ring (Gear)	
	P.107855	Oil Pump Assembly	
	1206988	Oil Pump Assembly	
	P.106963	Water Pump Assembly	
	P.45432	Petrol (Fuel) Pump Assembly	
		PETROL ENGINE (1892 c.c.)		
	5200386	Engine (Motor) Unit	Vertical Thermostat
	5200725	Engine (Motor) Unit	Horizontal Thermostat
	1206876	Flywheel and Starter Ring (Gear)	
	1214622	Flywheel and Starter Ring (Gear)	
	1214641	Flywheel and Starter Ring (Gear)	
	1206988	Oil Pump Assembly	
	P.106963	Water Pump Assembly	
	P.45432	Petrol (Fuel) Pump Assembly	
	1800218	Petrol (Fuel) Pump Assembly	
		DIESEL ENGINE (4-99)		
	1205343	Flywheel and Starter Ring (Gear)	
	1208880	Flywheel and Starter Ring (Gear)	
		CLUTCH AND CONTROLS		
	K.26443	Cover Assembly	
	1800016	Cover Assembly	
	1046593	Cover Assembly	
	1800752	Cover Assembly	
	1046597	Driven Plate Assembly	
	1800300	Driven Plate Assembly	
	1800751	Driven Plate Assembly	
	K.20720	Release Bearing and Cup Assembly	
	1800600	Release Bearing and Cup Assembly	
	1201562	Slave Cylinder	
	1223552	Slave Cylinder	
	P.115153	Master Cylinder	
	1219092	Master Cylinder	
		BRAKES AND CONTROLS		
	K.29884	Brake Shoe c/w Lining (Pair)—Front	
	K.29886	Brake Shoe c/w Lining (Pair)—Rear	
	K.29884	Brake Shoe c/w Lining (Pair)—Rear	
	5040220	Brake Servo Unit	
	K.25534	Wheel Cylinder—O.S. (R.H.)—Front	
	K.25535	Wheel Cylinder—N.S. (L.H.)—Front	
	K.25539	Wheel Cylinder—Rear	
	5040414	Wheel Cylinder—Rear	
	P.115152	Master Cylinder—Less Fittings	
	1216685	Master Cylinder—Less Fittings	

PARTS AND SERVICE LITERATURE

PARTS AND SERVICE LITERATURE

Plate Ref.	Part Number	DESCRIPTION	No. per Veh.	REMARKS
		This Section details the Parts and Service Literature available for the Commer 1500 Series I, II, IIA and 2500 Series Forward Control Goods and Passenger Range.		
	6600956 (6601135)	Maintenance Handbook—Driver's (Publication No. 823)	All Synchronesh
	6601135	Maintenance Handbook—Driver's (Publication No. 876)	
	6600752 (6601044)	Workshop Manual (Publication No. 745)	All Synchronesh
	6600955	Workshop Manual Supplement (Publication No. 822)	
	6600793	Workshop Manual Supplement (Perkins 4-99 Engine)	
	6601134	Workshop Manual Supplement (Publication No. 875)	
	6600924	Service Voucher Continuation Book (Publication No. 764c)	
	6600970	Man-Hour Schedule (Publication No. 768)	

STANDARDS SECTION

Schedule of Standard Bolts, Nuts, Screws, Setscrews,
Studs and Washers.

BOLTS — HEXAGON HEAD — B.S.F., B.S.W., U.N.C., U.N.F.

Part No.	Size	Length	Remarks	Part No.	Size	Length	Remarks
1940401	1" U.N.C.	1"		19105261	1/8" U.N.F.	3 1/2"	
9003029	1" U.N.F.	1"		9000105	1" B.S.F.	1/2"	
19404051	1" U.N.C.	1"		9003290	1" U.N.F.	1"	"Place" Bolt
19104091	1" U.N.F.	1 1/2"		9003197	1" U.N.F.	1/2"	
19104101	1" U.N.F.	1 1/2"		9003294	1" U.N.F.	1"	"Place" Bolt
19104112	1" U.N.F.	1 1/2"		19106061	1" U.N.F.	1"	
19104121	1" U.N.F.	1 1/2"		9003069	1" U.N.F.	1 1/2"	
19404121	1" U.N.C.	1 1/2"		19106101	1" U.N.F.	1 1/2"	
19104141	1" U.N.F.	1 1/2"		19106103	1" U.N.F.	1 1/2"	
19104142	1" U.N.F.	1 1/2"		9003070	1" U.N.F.	1 3/4"	
19104161	1" U.N.F.	2"		19106113	1" U.N.F.	1 1/2"	
19104201	1" U.N.F.	2 1/2"		19106121	1" U.N.F.	1 1/2"	
19404122	1" U.N.C.	2 1/2"		19106131	1" U.N.F.	1 1/2"	
19105061	1/2" U.N.F.	1"		19106161	1" U.N.F.	2"	
9003166	1/2" U.N.F.	1"		19106183	1" U.N.F.	2 1/2"	
9003046	3/8" U.N.F.	1"		9003201	1" U.N.F.	2 1/2"	
9003047	3/8" U.N.F.	1"		19106191	1" U.N.F.	2 1/2"	
19105081	1/2" U.N.F.	1"		19106221	1" U.N.F.	2 1/2"	
9000090	1/2" B.S.W.	1 1/2"		19106223	1" U.N.F.	2 1/2"	
19105101	1/2" U.N.F.	1 1/2"		19106241	1" U.N.F.	3"	
19105102	1/2" U.N.F.	1 1/2"		19106261	1" U.N.F.	3 1/2"	
9003190	1/2" U.N.C.	1 1/2"		19106301	1" U.N.F.	3 1/2"	
19405121	1/2" U.N.F.	1 1/2"		9003202	1" U.N.F.	4 1/2"	
19105120	1/2" U.N.F.	1 1/2"		19107121	1/8" U.N.F.	1 1/2"	
19105121	1/2" U.N.F.	1 1/2"		19107141	1/8" U.N.F.	1 1/2"	
19105131	1/2" U.N.F.	1 1/2"		19107163	1/8" U.N.F.	2"	
19105139	1/2" U.N.F.	1 1/2"		19107203	1/8" U.N.F.	2 1/2"	
19105141	1/2" U.N.F.	1 1/2"		19107213	1/8" U.N.F.	2 1/2"	
19105142	1/2" U.N.F.	1 1/2"		19107223	1/8" U.N.F.	2 1/2"	
19105151	1/2" U.N.F.	1 1/2"		19107243	1/8" U.N.F.	3"	
19105161	1/2" U.N.F.	2"		9003083	1/8" U.N.C.	3 1/2"	
19105181	1/2" U.N.F.	2 1/2"		9003093	1/8" U.N.F.	3 3/4"	
19105201	1/2" U.N.F.	2 1/2"		9003218	1" U.N.F.	2 1/2"	
19105211	1/2" U.N.F.	2 1/2"		9003226	1" U.N.C.	3 1/2"	
19105221	1/2" U.N.F.	2 1/2"		19109281	1/8" U.N.F.	3 1/2"	
19105223	1/2" U.N.F.	2 1/2"		19109282	1/8" U.N.F.	3 1/2"	
19105229	1/2" U.N.F.	2 1/2"					

SCREWED STUDS — UNIFIED NORMAL THREADS

"Metal End" — Screwed into Component

Part No.	Metal End	Nut End	Overall Length	Part No.	Metal End	Nut End	Overall Length
29704131	1" U.N.F.	1" U.N.F.	1 1/2"	29900400	1/8" U.N.F.	1/8" U.N.F.	1 1/2"
29900370	1/8" U.N.F.	1/8" U.N.F.	1 1/2" Special	29905162	1/8" U.N.C.	1/8" U.N.F.	2"
29505092	1/8" U.N.F.	1/8" U.N.F.	1 1/2"	29705243	1/8" U.N.F.	1/8" U.N.F.	3"
29705092	1/8" U.N.F.	1/8" U.N.F.	1 1/2"	29705253	1/8" U.N.F.	1/8" U.N.F.	3 1/2"
29705093	1/8" U.N.F.	1/8" U.N.F.	1 1/2"	29705283	1/8" U.N.F.	1/8" U.N.F.	3 1/2"
29705102	1/8" U.N.F.	1/8" U.N.F.	1 1/2"	29900366	1/8" U.N.F.	1/8" U.N.F.	4 1/2"
29705103	1/8" U.N.F.	1/8" U.N.F.	1 1/2"	29806113	1" U.N.C.	1" U.N.F.	1 1/2"
29900442	1/8" U.N.C.	1/8" U.N.F.	1 1/2"	29706122	1" U.N.F.	1" U.N.F.	1 1/2"
29505111	1/8" U.N.F.	1/8" U.N.F.	1 1/2"	29706123	1" U.N.F.	1" U.N.F.	1 1/2"
29705113	1/8" U.N.F.	1/8" U.N.F.	1 1/2"	29900382	1" U.N.F.	1" U.N.F.	1 1/2"
29705123	1/8" U.N.F.	1/8" U.N.F.	1 1/2"	29706132	1" U.N.F.	1" U.N.F.	1 1/2"
29900401	1/8" U.N.C.	1/8" U.N.F.	1 1/2"	29900426	1" U.N.C.	1" U.N.F.	1 1/2"
29505131	1/8" U.N.F.	1/8" U.N.F.	1 1/2"	29900249	1" U.N.F.	1" U.N.F.	1 1/2"
29705132	1/8" U.N.F.	1/8" U.N.F.	1 1/2"	29900425	1" U.N.C.	1" U.N.F.	2 1/2"
29705133	1/8" U.N.F.	1/8" U.N.F.	1 1/2"	29900349	1" U.N.F.	1" U.N.F.	3 1/2"
29805131	1/8" U.N.C.	1/8" U.N.F.	1 1/2"	29900257	1" U.N.F.	1" U.N.F.	5 1/2"
29805133	1/8" U.N.C.	1/8" U.N.F.	1 1/2"	29707133	1/8" U.N.F.	1/8" U.N.F.	1 1/2"
29900371	1/8" U.N.F.	1/8" U.N.F.	1 1/2"				

SCREWS — I.A., B.S.F., METRIC, U.N.C., U.N.F.

Part No.	Size	Length	Remarks	Part No.	Size	Length	Remarks
3960048	No. 4 U.N.C.	1"	Flat C'sk Head	39313101	No. 10 U.N.F.	1"	Pan Head Cross Recess
39310441	No. 4 U.N.F.	1"	Pan Head	39323101	No. 10 U.N.F.	1"	Pan Head Cone Point
39601041	No. 6 U.N.C.	1"	Flat C'sk Head	39403100	No. 10 U.N.F.	1"	Fillister Head
9050095	No. 6 U.N.C.	1"	Round Head	39403101			
39310461	No. 6 U.N.F.	1"	Pan Head	19503052	No. 10 U.N.F.	1"	Hexagon Head
39811081	No. 6 U.N.C.	1"	Pan Head Cross Recess	9050139	No. 10 U.N.F.	1"	Fillister Head
9050141	No. 6 U.N.C.	1"	Round Head	39103122	No. 10 U.N.F.	1"	Flat C'sk Head
39601160	No. 6 U.N.C.	1"	Flat C'sk Head	39423122	No. 10 U.N.F.	1"	Fillister Head Cone Point
39601031	4 B.A.	1/2"	Flat C'sk Head	19503071	No. 10 U.N.F.	1"	Hexagon Head
39601064	4 B.A.	1"	Flat C'sk Head	39103181	No. 10 U.N.F.	1 1/2"	Flat C'sk Head
9050002	4 mm.	1"	Oval C'sk Head	39103201	No. 10 U.N.F.	1 1/2"	Flat C'sk Head
9050003	4 mm.	1 1/2"	Oval C'sk Head	39223201	No. 10 U.N.F.	1 1/2"	Oval C'sk Cone Point
9050004	4 mm.	1 1/2"	Oval C'sk Head	39403200	No. 10 U.N.F.	1 1/2"	Fillister Head
9050008	4 mm.	1 1/2"	Oval C'sk Head	39413201	No. 10 U.N.F.	1 1/2"	Fillister Head Cross Recess
9050009	4 mm.	1 1/2"	Flat C'sk Head	39034120	1" B.S.F.	1"	Cheese Head
9000061	4 mm.	1 1/2"	Hexagon Head	19604031	1" U.N.C.	1"	Hexagon Head
9050020	3 mm.	1 1/2"	Cheese Head	39304061	1" U.N.F.	1"	Pan Head
9050018	6 mm.	1 1/2"	Hexagon Head	39314061	1" U.N.F.	1"	Pan Head Cross Recess
39302044	No. 8 U.N.F.	1"	Pan Head	19504031	1" U.N.F.	1"	Hexagon Head
39902040	No. 8 U.N.C.	1"	Fillister Head	19604041	1" U.N.C.	1"	Hexagon Head
39902030	No. 8 U.N.C.	1/2"	Fillister Head	39104080	1" U.N.F.	1"	Flat C'sk Head
39902051	No. 8 U.N.C.	1/2"	Fillister Head	39104081			
39912051	No. 8 U.N.C.	1/2"	Fillister Head Cross Recess	39304081	1" U.N.F.	1"	Pan Head
39602061	No. 8 U.N.C.	1"	Flat C'sk Head	39304081			
39802081	No. 8 U.N.C.	1"	Pan Head	39314081	1" U.N.F.	1"	Pan Head Cross Recess
39822081	No. 8 U.N.C.	1"	Pan Head Cone Point	19104042	1" U.N.F.	1"	Hexagon Head
39602100	No. 8 U.N.C.	1"	Pan Head	19504041			
39602184	No. 8 U.N.C.	1 1/2"	Flat C'sk Head	9050115	1" U.N.C.	1"	Round Head
39602200	No. 8 U.N.C.	1 1/2"	Flat C'sk Head	19604051	1" U.N.C.	1"	Hexagon Head
39602204	No. 8 U.N.C.	1 1/2"	Pan Head	39104100	1" U.N.F.	1"	Flat C'sk Head
39802280	No. 8 U.N.C.	1 1/2"	Pan Head	39104104			
39003061	2 B.A.	1"	Flat C'sk Head	39204101	1" U.N.F.	1"	Oval C'sk Head
39033080	2 B.A.	1"	Cheese Head	39304101	1" U.N.F.	1"	Pan Head
9050042	2 B.A.	1"	Oval C'sk Head	19504051	1" U.N.F.	1"	Hexagon Head
39033120	2 B.A.	1"	Cheese Head	19504052			
39033141	2 B.A.	1"	Cheese Head	19604052	1" U.N.F.	1"	Hexagon Head Cone Point
19503031	No. 10 U.N.F.	1/2"	Hexagon Head	19604061	1" U.N.C.	1"	Hexagon Head
19503051	No. 10 U.N.F.	1/2"	Hexagon Head	39104120	1" U.N.F.	1"	Flat C'sk Head
39133051	No. 10 U.N.F.	1/2"	Pan Head Cross Recess	39304121	1" U.N.F.	1"	Pan Head
90503054	No. 10 U.N.F.	1/2"	Hexagon Head	39304122			
19603031	No. 10 U.N.C.	1"	Hexagon Head	19504061	1" U.N.F.	1"	Hexagon Head
39303060	No. 10 U.N.F.	1"	Pan Head	19504062	1" U.N.F.	1"	Flat C'sk Head
39303061				19104341	1" U.N.F.	1"	Flat C'sk Head
39313061	No. 10 U.N.F.	1"	Pan Head Cross Recess	39104361	1" U.N.F.	1"	Flat C'sk Head
19503031	No. 10 U.N.F.	1"	Hexagon Head	39104164	1" U.N.F.	1"	Flat C'sk Head
19503032				39304164	1" U.N.F.	1"	Pan Head
39403070	No. 10 U.N.F.	1/2"	Fillister Head	19504081	1" U.N.F.	1"	Hexagon Head
39103084	No. 10 U.N.F.	1"	Flat C'sk Head	39304201	1" U.N.F.	1 1/2"	Pan Head
39203080	No. 10 U.N.F.	1"	Oval C'sk Head	19504122	1" U.N.F.	1 1/2"	Hexagon Head
39203082	No. 10 U.N.F.	1"	Oval C'sk Head	19504162	1" U.N.F.	2"	Hexagon Head
39303080	No. 10 U.N.F.	1"	Pan Head	39205064	1/2" U.N.F.	1"	Oval C'sk Head
39303081				39305064	1/2" U.N.F.	1"	Pan Head
39303082	No. 10 U.N.F.	1"	Pan Head	19505031	1/2" U.N.F.	1"	Hexagon Head
39303083				19605041	1/2" U.N.C.	1"	Hexagon Head
39323081	No. 10 U.N.F.	1"	Pan Head Cone Point	39105084	1/2" U.N.F.	1"	Flat C'sk
39403080	No. 10 U.N.F.	1"	Fillister Head	39305081	1/2" U.N.F.	1"	Pan Head
39403081				19305041	1" U.N.F.	1"	Hexagon Head
19503041	No. 10 U.N.F.	1"	Hexagon Head	19505042	1/2" U.N.F.	1"	Hexagon Head
19505042				19505044	1" U.N.F.	1"	Hexagon Head
39103101	No. 10 U.N.F.	1"	Flat C'sk Head	19605051	1/2" U.N.C.	1"	Hexagon Head
39203102	No. 10 U.N.F.	1"	Oval C'sk Head	19505042	1/2" U.N.F.	1"	Hexagon Head
39203105				19505044	1" U.N.F.	1"	Hexagon Head
39303100	No. 10 U.N.F.	1"	Pan Head				

SCREWS — B.A., B.S.F., METRIC, U.N.C., U.N.F.— continued

Part No.	Size	Length	Remarks	Part No.	Size	Length	Remarks
19305104	$\frac{3}{8}$ " U.N.F.	1"	Pan Head	19505201	$\frac{3}{8}$ " U.N.F.	2 $\frac{1}{2}$ "	Hexagon Head
19505051	$\frac{3}{8}$ " U.N.F.	1"	Hexagon	19805201	$\frac{3}{8}$ " U.N.F.	2 $\frac{1}{2}$ "	Hexagon Cone Point
19505052				19505332	$\frac{3}{8}$ " U.N.F.	4 $\frac{1}{2}$ "	Hexagon Head
19605061	$\frac{3}{8}$ " U.N.C.	1"	Hexagon—Washer Faced	19506060	1" U.N.F.	1"	Pan Head
19205120	$\frac{3}{8}$ " U.N.F.	1"	Oval C's'k Head	19506051	1" U.N.F.	1"	Hexagon Head
19215120	$\frac{3}{8}$ " U.N.F.	1"	Oval C's'k Cross Recess	19506052			
19505061	$\frac{3}{8}$ " U.N.F.	1"	Hexagon	19506061	1" U.N.F.	1"	Hexagon Head
19505062				19506062			
19605071	$\frac{3}{8}$ " U.N.C.	1"	Hexagon Head	19506071	1" U.N.F.	1"	Hexagon Head
19205144	$\frac{3}{8}$ " U.N.F.	1"	Oval C's'k Head	19506072			
19225144	$\frac{3}{8}$ " U.N.F.	1"	Oval C's'k Cone Point	19506081	1" U.N.F.	1"	Hexagon Head
19505073	$\frac{3}{8}$ " U.N.F.	1"	Hexagon Head	19506082			
19605081	$\frac{3}{8}$ " U.N.C.	1"	Hexagon Head	19506083	1" U.N.F.	1 $\frac{1}{2}$ "	Hexagon Head
19505081	$\frac{3}{8}$ " U.N.F.	1"	Hexagon Head	19506093			
9003174	$\frac{3}{8}$ " U.N.F.	1 $\frac{1}{2}$ "	Hexagon Head	19606100	1" U.N.C.	1 $\frac{1}{2}$ "	Hexagon Head
19225184	$\frac{3}{8}$ " U.N.F.	1 $\frac{1}{2}$ "	Oval C's'k Cone Point	19506100	1" U.N.F.	1 $\frac{1}{2}$ "	Hexagon Head
19505091	$\frac{3}{8}$ " U.N.F.	1 $\frac{1}{2}$ "	Hexagon Head	19606111	1" U.N.C.	1 $\frac{1}{2}$ "	Hexagon Head
19505101	$\frac{3}{8}$ " U.N.F.	1 $\frac{1}{2}$ "	Hexagon Head	19606151	1" U.N.C.	1 $\frac{1}{2}$ "	Hexagon Head
19505111	$\frac{3}{8}$ " U.N.F.	1 $\frac{1}{2}$ "	Hexagon Head	19506160	1" U.N.F.	2"	Hexagon Head
19505121	$\frac{3}{8}$ " U.N.F.	1 $\frac{1}{2}$ "	Hexagon Head	19507061	$\frac{3}{8}$ " U.N.F.	1"	Hexagon Head
19105243	$\frac{3}{8}$ " U.N.F.	1 $\frac{1}{2}$ "	Flat C's'k Head	19507073	$\frac{3}{8}$ " U.N.F.	1"	Hexagon Head
19115241	$\frac{3}{8}$ " U.N.F.	1 $\frac{1}{2}$ "	Flat C's'k Pozidrive	19507101	$\frac{3}{8}$ " U.N.F.	1 $\frac{1}{2}$ "	Hexagon Head
19505131	$\frac{3}{8}$ " U.N.F.	1 $\frac{1}{2}$ "	Hexagon Head	19507102			
19505181	$\frac{3}{8}$ " U.N.F.	2 $\frac{1}{2}$ "	Hexagon Head				

SCREWS (THREAD CUTTING)

Part No.	Size	Form	Length	Remarks	Part No.	Size	Form	Length	Remarks
9771048	No. 4	'Z'	1"	Pan Head Cross Recess	9743066	No. 8	'A'	1"	Hexagon Head
9731063	No. 4	'J'	1"	Pan Head Slotted	9773065	No. 8	'A'	1"	Pan Head Cross Recess
9761085	No. 4	'A'	1"	Raised C's'k Cross Recess	9773066	No. 8	'A'	1"	Pan Head Cross Recess
9732043	No. 6	'J'	1"	Pan Head Slotted	9723089	No. 8	'Z'	1"	Raised C's'k Slotted
9732049	No. 6	'Z'	1"	Pan Head Slotted	9733085	No. 8	'J'	1"	Pan Head Slotted
9056028	No. 6	'Z'	$\frac{3}{8}$ "	Round Head Cross Recess	9733086	No. 8	'A'	1"	Pan Head Slotted
9722065	No. 6	'A'	1"	Raised C's'k Slotted	9733089	No. 8	'Z'	1"	Pan Head Slotted
9732063	No. 6	'J'	1"	Pan Head Slotted	9763085	No. 8	'A'	1"	Raised C's'k Cross Recess
9732066	No. 6	'A'	1"	Pan Head Slotted	9773083	No. 8	'J'	1"	Pan Head Cross Recess
9762065	No. 6	'A'	1"	Raised C's'k Cross Recess	9773086	No. 8	'A'	1"	Pan Head Cross Recess
9712086	No. 6	'A'	1"	Flat C's'k Slotted	9733106	No. 8	'A'	1"	Pan Head Slotted
9722082	No. 6	'J'	1"	Raised C's'k Slotted	9763125	No. 8	'A'	1"	Raised C's'k Cross Recess
9722085	No. 6	'A'	1"	Raised C's'k Cross Recess	9056026	No. 8	'Z'	1"	Oval C's'k Cross Recess
9732083	No. 6	'J'	1"	Pan Head Slotted	9713166	No. 8	'A'	1"	Flat C's'k Slotted
9732086	No. 6	'A'	1"	Pan Head Slotted	9734063	No. 10	'J'	1"	Pan Head Slotted
9732089	No. 6	'Z'	1"	Pan Head Slotted	9734066	No. 10	'J'	1"	Pan Head Slotted
9732086	No. 6	'A'	1"	Flat C's'k Cross Recess	49503062	No. 10	U.N.F.	1"	Hexagon Head (Special "Type 25")
9762086	No. 6	'A'	1"	Raised C's'k Cross Recess	9734083	No. 10	'J'	1"	Pan Head Slotted
9772085	No. 6	'A'	1"	Pan Head Cross Recess	9744089	No. 10	'Z'	1"	Hexagon Head
9772086					9774086	No. 10	'A'	1"	Pan Head Cross Recess
9732104	No. 6	'A'	1"	Pan Head Slotted	9056027	No. 10	'A'	1"	Pan Head Cross Recess
9732106					9724125	No. 10	'A'	1"	Raised C's'k Slotted
9762105	No. 6	'A'	1"	Raised C's'k Cross Recess	9774126	No. 10	'A'	1"	Pan Head Cross Recess
9772125	No. 6	'A'	1"	Pan Head Cross Recess	9774166	No. 10	'A'	1"	Pan Head Cross Recess
9772126					9735081	No. 12	'J'	1"	Pan Head Slotted
9733049	No. 8	'Z'	1"	Pan Head Slotted	9746089	No. 14	'Z'	1"	Hexagon Head
9733066	No. 8	'A'	1"	Pan Head Slotted	9747089	$\frac{3}{8}$ "	'Z'	1"	Hexagon Head
9733069	No. 8	'Z'	1"	Pan Head Slotted	9056059	$\frac{3}{8}$ "	'A'	1"	Hexagon Head (Special—9 t.p.i.)

NUTS — SPECIAL, B.A., B.S.F., B.S.P., B.S.W., METRIC, UNIFIED NORMAL SERIES

Part No.	Size	Remarks	Part No.	Size	Remarks
9510011	No. 6 U.N.F.	Plain	9520050	$\frac{1}{8}$ " U.N.F.	Locknut
9020000	No. 6	Spire	9551053	$\frac{1}{8}$ " U.N.F.	Nyloc
9020010					
9020034					
9020036					
9550010	No. 6 U.N.C.	Plain	9552053	$\frac{1}{8}$ " U.N.F.	Nyloc—Thin
9550011			$\frac{1}{8}$ " U.N.F.	Philidas—Thin	
9020039			$\frac{1}{8}$ " U.N.F.—L.H.	Special	
9020041			$\frac{1}{8}$ "—24 U.N.S.	Philidas	
9020042			$\frac{1}{8}$ "—24 U.N.S.	Oddie	
9020059	No. 8	Spire	9034026	$\frac{1}{8}$ "—24 U.N.S.	Nyloc
9020070			$\frac{1}{8}$ "—24 U.N.S.	Oddie	
9034033			$\frac{1}{8}$ "—24 U.N.S.	Nyloc	
9550020	No. 8 U.N.C.	Nyloc	9034068	$\frac{1}{8}$ "—24 U.N.S.	Philidas
9550021	No. 8 U.N.C.	Plain	9022035	$\frac{1}{8}$ " B.S.W.	Dome Nut
9600521			2 B.A.	Plain	
9034029	No. 10 U.N.F.	Nyloc—Thin	9029168	$\frac{1}{8}$ " U.N.C.	Special
9510030	No. 10 U.N.F.	Plain	9029141	$\frac{1}{8}$ " U.N.F.	Special—Brass
9510031			$\frac{1}{8}$ " U.N.F.	Special	
9551034	No. 10 U.N.F.	Nyloc	9029145	$\frac{1}{8}$ " U.N.F.	Special—Washer Faced
9557037	No. 10 U.N.F.	Square—Thin	9029171	$\frac{1}{8}$ " U.N.F.	Special—Thin
9029000	5 mm.	Special	9029172	$\frac{1}{8}$ " U.N.F.	Special
9020050	No. 12	Spire	9029206	$\frac{1}{8}$ " U.N.F.	Special
9029016	$\frac{1}{8}$ " B.S.P.	Special—Washer Faced	9034043	$\frac{1}{8}$ " U.N.F.	Wedglok
9023007	$\frac{1}{8}$ " B.S.W.	Wing Nut	9510060	$\frac{1}{8}$ " U.N.F.	Plain
9550040	$\frac{1}{8}$ " U.N.C.	Plain			
9510040	$\frac{1}{8}$ " U.N.F.	Plain			
9510041	$\frac{1}{8}$ " U.N.F.	Locknut	9510063	$\frac{1}{8}$ " U.N.F.	Locknut
9520040			$\frac{1}{8}$ " U.N.F.	Nyloc	
9520041	$\frac{1}{8}$ " U.N.F.	Locknut	9571063	$\frac{1}{8}$ " U.N.F.	Plain
9551043	$\frac{1}{8}$ " U.N.F.	Locknut	9510070	$\frac{1}{8}$ " U.N.F.	Locknut
9551044	$\frac{1}{8}$ " U.N.F.	Nyloc	9555073	$\frac{1}{8}$ " U.N.F.	Oddie
9552043	$\frac{1}{8}$ " U.N.F.	Nyloc—Thin	9571073	$\frac{1}{8}$ " U.N.F.	Nyloc
9564040	$\frac{1}{8}$ " U.N.F.	Square	9510080	$\frac{1}{8}$ " U.N.F.	Plain
9029131	$\frac{1}{8}$ " U.N.F.—L.H.	Special	9510090	$\frac{1}{8}$ " U.N.F.	Plain
9029005	7 mm.	Special	9520091	$\frac{1}{8}$ " U.N.F.	Locknut
9029006	8 mm.	Special	9540090	$\frac{1}{8}$ " U.N.F.	Slotted
9600051	$\frac{1}{8}$ " B.S.F.	Plain	9029038	$\frac{1}{8}$ "—28 U.N.S.	Special
9029035	$\frac{1}{8}$ " B.S.W.	Special—Lead Covered Brass	9029152	$\frac{1}{8}$ " U.N.F.—L.H.	Special
9550052	$\frac{1}{8}$ " U.N.C.	Plain	9029179	$\frac{1}{8}$ "—28 U.N.S.	Special
9029200	$\frac{1}{8}$ " U.N.F.	Special	9520103	$\frac{1}{8}$ " U.N.F.	Locknut
9029204	$\frac{1}{8}$ " U.N.F.	Special—Square	9540100	$\frac{1}{8}$ " U.N.F.	Slotted
9510050	$\frac{1}{8}$ " U.N.F.	Plain	9601421	$\frac{1}{8}$ " B.S.W.	Locknut
9510051			$\frac{1}{8}$ " U.N.F.	Nyloc	
9510053			$\frac{1}{8}$ " U.N.F.	Plain	
			$\frac{1}{8}$ " U.N.F.	Special—Washer Faced	
			9510140	$\frac{1}{8}$ " U.N.F.	Plain
			9029209	$1\frac{1}{8}$ "—20 U.N.S.	Special—Washer Faced
			9029079	$1\frac{1}{8}$ "—16 U.N.S.	Special
			9029068	$1\frac{1}{8}$ "—16 U.N.S.	Special

WASHERS

Part No.	I/D	O/D	Thickness	Remarks	Part No.	I/D	O/D	Thickness	Remarks
9067000	1/8"	3/8"	20 SWG.	Plain	9067098	1/8"	1/2"	20 SWG.	Plain
9067001	1/8"	3/8"	18 SWG.	Plain	9067468	1/8"	1/2"	10 SWG.	Plain
9670613	No. 6	—	—	Cup	9067018	1/8"	1/2"	16 SWG.	Plain
9663093	3/8"	—	—	Tooth Lock—Internal	9067020	1/8"	1"	14 SWG.	Plain
9079099	3/8"	1/2"	21 SWG.	Fibre/Cork	9067099	1/8"	1"	20 SWG.	Plain
9660102	3/8"	—	—	Single Coil Spring—Square	9661181	3/8"	—	—	Single Coil Spring—Flat
9663102	3/8"	—	—	Tooth Lock—Internal	9067469	3/8"	1/2"	25 SWG.	Plain
9067120	3/8"	1/2"	20 SWG.	Plain	9660201	3/8"	—	—	Single Coil Spring—Square
9068005	3/8"	1/2"	19 SWG.	Plain	9660203	3/8"	—	—	Single Coil Spring—Square
9122009	3/8"	1/2"	3/8"	Rubber	9661201	3/8"	—	—	Single Coil Spring—Flat
9067092	3/8"	1/2"	18 SWG.	Plain	9661202	3/8"	—	—	Single Coil Spring—Flat
9067395	3/8"	1/2"	16 SWG.	Plain	9661203	3/8"	—	—	Single Coil Spring—Flat
9122013	3/8"	1/2"	1/2"	Rubber	9664201	3/8"	—	—	Tooth Lock—Internal
9663113	No. 8	—	—	Tooth Lock—Internal	9664202	3/8"	—	—	Tooth Lock—Internal
9670813	No. 8	—	—	Cup	9664203	3/8"	—	—	Tooth Lock—Internal
9660111	1/2"	—	—	Single Coil Spring—Square	9664212	3/8"	—	—	Tooth Lock—Internal
9663112	1/2"	—	—	Tooth Lock—Internal	9078011	3/8"	1/2"	3/8"	Fibre
9067004	1/2"	1/2"	18 SWG.	Plain	9122213	3/8"	1/2"	3/8"	Rubber
9067005	1/2"	1/2"	16 SWG.	Plain	9068013	3/8"	1/2"	15 SWG.	Plain
9086036	3/8"	—	—	Single Coil Spring—Flat	9078012	3/8"	1/2"	16 SWG.	Fibre
9660121	3/8"	—	—	Single Coil Spring—Square	9086004	1/2"	—	—	Double Coil Spring
9660122	3/8"	—	—	Single Coil Spring—Square	9077088	1/2"	1/2"	18 SWG.	Aluminium
9660123	3/8"	—	—	Single Coil Spring—Square	9077013	1/2"	1/2"	20 SWG.	Copper
9661121	3/8"	—	—	Single Coil Spring—Flat	9077014	1/2"	1/2"	Aluminium	Aluminium
9661123	3/8"	—	—	Single Coil Spring—Flat	9075016	1/2"	1/2"	33 SWG.	Waved
9663122	3/8"	—	—	Tooth Lock—Internal	9067481	1/2"	3/8"	16 SWG.	Plain
9663123	3/8"	—	—	Tooth Lock—Internal	9067022	1/2"	1/2"	20 SWG.	Plain
9067094	3/8"	1/2"	20 SWG.	Plain	9067101	1/2"	1/2"	20 SWG.	Plain
9067399	3/8"	1/2"	18 SWG.	Plain	9067023	1/2"	1/2"	16 SWG.	Plain
9664122	No. 10	—	—	Tooth Lock—Internal	9067024	1/2"	1/2"	15 SWG.	Plain
9663132	1/2"	—	—	Tooth Lock—Internal	9067102	1/2"	1/2"	15 SWG.	Plain
9067007	1/2"	3/8"	16 SWG.	Plain	9067025	1/2"	1/2"	12 SWG.	Plain
9067008	1/2"	1/2"	20 SWG.	Plain	9067026	1/2"	1/2"	20 SWG.	Plain
9067009	1/2"	1/2"	21 SWG.	Plain	9067104	1/2"	1/2"	20 SWG.	Plain
9068008	1/2"	1/2"	21 SWG.	Plain	9067027	1/2"	1/2"	16 SWG.	Plain
9067010	1/2"	1/2"	20 SWG.	Plain	9067410	1/2"	1/2"	12 SWG.	Plain
9067095	1/2"	1/2"	20 SWG.	Plain	9067028	1/2"	1/2"	10 SWG.	Plain
9068009	1/2"	1/2"	18 SWG.	Plain	9067029	1/2"	1"	16 SWG.	Plain
9067011	1/2"	1/2"	16 SWG.	Plain	9067409	1/2"	1"	18 SWG.	Plain
9067012	1/2"	1/2"	18 SWG.	Plain	9067405	1/2"	1/2"	15 SWG.	Plain
9067013	1/2"	1/2"	18 SWG.	Plain	9077083	1/2"	3/8"	Aluminium	Aluminium
9067208	1/2"	1/2"	16 SWG.	Plain	9078015	1/2"	3/8"	Fibre	Fibre
9660161	1/2"	—	—	Single Coil Spring—Square	9077066	1/2"	1/2"	14 SWG.	Aluminium
9660163	1/2"	—	—	Single Coil Spring—Square	9086033	1/2"	—	—	Tooth Lock—External
9661161	1/2"	—	—	Single Coil Spring—Flat	9086021	1/2"	—	—	Tooth Lock—External
9661163	1/2"	—	—	Single Coil Spring—Flat	9660241	1/2"	—	—	Single Coil Spring—Square
9664162	1/2"	—	—	Tooth Lock—Internal	9660242	1/2"	—	—	Single Coil Spring—Square
9664163	1/2"	—	—	Tooth Lock—Internal	9660243	1/2"	—	—	Single Coil Spring—Square
9666163	1/2"	—	—	Tooth Lock—External	9661241	1/2"	—	—	Single Coil Spring—Flat
9067212	1/2"	3/8"	18 SWG.	Plain	9661242	1/2"	—	—	Single Coil Spring—Flat
9078008	1/2"	3/8"	16 SWG.	Fibre	9661243	1/2"	—	—	Single Coil Spring—Flat
9078077	1/2"	3/8"	16 SWG.	Fibre—Special	9662242	1/2"	—	—	Double Coil Spring
9077076	1/2"	1/2"	20 SWG.	Plain	9664241	1/2"	—	—	Tooth Lock—Internal
9068010	1/2"	3/8"	17 SWG.	Plain	9664242	1/2"	—	—	Tooth Lock—Internal
9068011	1/2"	1/2"	16 SWG.	Plain	9664243	1/2"	—	—	Tooth Lock—Internal
9086003	1/2"	—	—	Double Coil Spring	9068016	1/2"	1/2"	15 SWG.	Plain
9067014	1/2"	1/2"	20 SWG.	Plain	9082043	1/2"	1/2"	8 SWG.	Special—C'sk
9067097	1/2"	1/2"	20 SWG.	Plain	9096046	1/2"	—	—	Lockwasher
9067015	1/2"	1/2"	16 SWG.	Plain	9077072	1/2"	3/8"	3/8"	Copper
9067112	1/2"	1/2"	16 SWG.	Plain	9077017	1/2"	1/2"	18 SWG.	Copper
9075011	1/2"	1/2"	—	Waved	9077068	1/2"	1/2"	1/2"	Copper
9067016	1/2"	3/8"	17 SWG.	Plain	9067034	1/2"	1/2"	16 SWG.	Plain
9067017	1/2"	1/2"	20 SWG.	Plain	9067393	1/2"	1/2"	16 SWG.	Plain

WASHERS — continued

Part No.	I/D	O/D	Thickness	Remarks	Part No.	I/D	O/D	Thickness	Remarks
9067036	1/2"	3/4"	14 SWG.	Plain	9664162	1/2"	3/4"	14 SWG.	Tooth Lock—Internal
9067106	1/2"	3/4"	14 SWG.	Plain	9076039	1/2"	3/4"	16 SWG.	Plain
9067037	1/2"	3/4"	10 SWG.	Plain	9067064	1/2"	3/4"	16 SWG.	Plain
9067038	1/2"	3/4"	16 SWG.	Plain	9067038	1/2"	3/4"	16 SWG.	Brass
9067107	1/2"	3/4"	16 SWG.	Plain	9067065	1/2"	3/4"	10 SWG.	Plain
9067416	1/2"	3/4"	15 SWG.	Plain	9077037	1/2"	3/4"	20 SWG.	Copper
9067041	1/2"	3/4"	16 SWG.	Plain	9096037	1/2"	3/4"	—	Double Coil Spring
9076030	1/2"	3/4"	16 SWG.	Brass	9078031	1/2"	3/4"	16 SWG.	Fibre
9067042	1/2"	3/4"	10 SWG.	Plain	9067289	1/2"	3/4"	18 SWG.	Plain
9067549	1/2"	3/4"	12 SWG.	Plain	9096023	1/2"	3/4"	—	Lockwasher
9077019	1/2"	3/4"	20 SWG.	Copper	9078032	1/2"	3/4"	16 SWG.	Fibre
9077021	1/2"	3/4"	16 SWG.	Aluminium	9067293	1/2"	3/4"	20 SWG.	Special—Hardened
9078018	1/2"	3/4"	16 SWG.	Fibre	9078033	1/2"	3/4"	16 SWG.	Fibre
9067256	1/2"	3/4"	8 SWG.	Plain	9067069	1/2"	3/4"	14 SWG.	Plain
9660284	1/2"	3/4"	—	Single Coil Spring—Square	9067435	1/2"	3/4"	18 SWG.	Plain
9661284	1/2"	3/4"	—	Single Coil Spring—Plain	9077044	1/2"	3/4"	16 SWG.	Copper
9664282	1/2"	3/4"	—	Tooth Lock—Internal	9086015	1/2"	3/4"	—	Double Coil Spring
9077071	1/2"	3/4"	16 SWG.	Aluminium	9067075	1/2"	3/4"	14 SWG.	Plain
9077025	1/2"	3/4"	16 SWG.	Copper	9067314	1/2"	3/4"	16 SWG.	Plain
9120019	1/2"	3/4"	—	Felt	9079097	1/2"	3/4"	13 SWG.	'Langite'
9088019	1/2"	3/4"	13 SWG.	Plain	9077046	1/2"	3/4"	16 SWG.	Copper
9078020	1/2"	3/4"	—	Fibre	9078016	1/2"	3/4"	15 SWG.	Copper
9082019	1/2"	3/4"	8 SWG.	Special—Cylk	9077073	1/2"	3/4"	16 SWG.	Copper
9067046	1/2"	3/4"	16 SWG.	Plain	9122205	1/2"	3/4"	—	Rubber
9067265	1/2"	3/4"	12 SWG.	Plain	9078042	1/2"	3/4"	16 SWG.	Fibre
9067052	1/2"	3/4"	16 SWG.	Plain	9122134	1/2"	3/4"	16 SWG.	Rubber
9077084	1/2"	3/4"	16 SWG.	Aluminium	9067329	1/2"	3/4"	20 SWG.	Plain
9078074	1/2"	3/4"	16 SWG.	Fibre	9067480	1/2"	3/4"	9 SWG.	Plain
9077078	1/2"	3/4"	16 SWG.	Aluminium	9122149	1/2"	3/4"	16 SWG.	Rubber
9660322	1/2"	3/4"	—	Single Coil Spring—Square	9086030	1/2"	3/4"	—	Double Coil Spring
9664322	1/2"	3/4"	—	Tooth Lock—Internal	9122275	1/2"	3/4"	16 SWG.	Rubber
9075033	1/2"	3/4"	—	Waved	9067352	1/2"	3/4"	16 SWG.	Plain
9077030	1/2"	3/4"	16 SWG.	Copper	9079070	1/2"	3/4"	16 SWG.	'Marslane'
9076036	1/2"	3/4"	12 SWG.	Plain	9122173	1/2"	3/4"	16 SWG.	Rubber
9067510	1/2"	3/4"	8 SWG.	Plain	9122276	1/2"	3/4"	16 SWG.	Rubber
9067425	1/2"	3/4"	23 SWG.	Plain	9122182	1/2"	3/4"	16 SWG.	Rubber
9067063	1/2"	3/4"	8 SWG.	Plain	9122277	1/2"	3/4"	16 SWG.	Rubber
9077608	1/2"	3/4"	14 SWG.	Copper and Asbestos	9122180	1/2"	3/4"	16 SWG.	Rubber

NUMERICAL PART NUMBER

INDEX

NUMERICAL PART NUMBER INDEX

<i>Part No.</i>	<i>Page No.</i>	<i>Part No.</i>	<i>Page No.</i>	<i>Part No.</i>	<i>Page No.</i>	<i>Part No.</i>	<i>Page No.</i>
6-FIGURE SECTION		1200444	114	1202343	159	1202680	39
316561	138	1200445	114	1202350	159	1202686	14
		1200695	137	1202351	159		36
		1200696	137	1202352	145	1202690	116
		1200697	137	1202353	145		121
7-FIGURE SECTION		1201090	14	1202354	114	1202696	138
1046375	196		36	1202355	114	1202697	168
1046460	192	1201092	16	1202356	113	1202698	168
1046461	192		38	1202370	114	1202699	169
1046474	195	1201124	34	1202371	114	1202701	157
	197	1201125	12	1202396	157	1202702	173
1046553	196	1201140	19	1202397	157	1202703	173
1046558	367		43	1202398	157	1202704	173
1046559	365	1201187	19	1202399	157	1202710	168
1046562	363		21	1202400	157	1202712	168
1046591	179		23	1202401	157	1202715	365
	180		44	1202404	158		366
1046593	99		47	1202406	158	1202719	180
	375	1201188	18	1202407	158	1202720	181
1046597	99		23	1202420	128	1202725	89
	375		42	1202421	128	1202727	89
1046615	197	1201798	137	1202423	179		91
1046629	195	1201820	127		180	1202741	100
1046631	196	1201870	138	1202424	179	1202752	89
1046646	196	1201894	355	1202443	12		91
1046668	199	1201897	355		34	1202754	89
1046669	203	1201898	355	1202492	101		91
1046712	197	1201899	355		168	1202759	115
1046719	203	1201942	192	1202493	101	1202760	89
1046741	192	1201966	138		106		91
1046775	191	1201967	138		168	1202763	89
1046776	191	1202051	355	1202494	101		91
1046781	20	1202072	195		106		92
1046795	203	1202073	195		167		220
1046796	203	1202074	195	1202495	101		366
1046906	195	1202086	146		168	1202775	159
	365	1202164	365	1202521	102	1202908	173
1046908	194		366		167	1202910	83
	365	1202187	16	1202522	102	1202916	114
1046937	192		38		167	1202918	158
1046953	199	1202217	127	1202523	116	1202924	355
1046975	90	1202218	127		121	1202925	355
1046994	205	1202220	127	1202541	113	1202926	355
1200025	114	1202222	127	1202544	114	1202948	205
1200069	19	1202240	179	1202546	115	1202949	205
	43	1202282	179	1202634	83	1202956	83
1200073	355		180	1202644	19	1202959	83
1200153	18	1202296	137		44	1202960	81
	42	1202298	165	1202645	19	1202961	83
1200199	195	1202299	165		44	1202966	100
1200338	17	1202302	165	1202653	127		105
1200349	355	1202330	165	1202662	127	1202968	366
	356	1202331	165	1202670	127		367
1200421	365	1202332	147	1202671	127	1202979	89
1200435	114	1202333	147	1202676	127		91
1200442	114	1202334	146	1202677	127	1202983	89
1200443	114	1202339	159	1202680	17		

NUMERICAL PART NUMBER INDEX

Part No.	Page No.	Part No.	Page No.	Part No.	Page No.	Part No.	Page No.
1202983	91	1203525	206	1205246	153	1205878	114
1202984	89	1203528	206	1205263	159	1205885	115
	91	1203532	18	1205283	145	1205886	115
1202991	365	1203533	18	1205289	147	1205889	115
	366	1203534	90	1205300	206		120
1202995	89	1203536	89	1205301	206	1205893	206
	91	1203542	38	1205302	206	1205904	127
1203002	167	1203543	20	1205303	206	1205926	127
1203004	157		22	1205324	81	1205928	127
	158		45	1205339	92	1205929	127
1203083	356	1203544	89	1205343	81	1205930	127
1203084	356	1203547	89		375	1205973	115
1203089	185	1203554	206	1205348	147		120
1203097	185	1203562	100	1205362	145	1205974	115
1203158	154		375	1205365	148	1205977	364
1203159	154	1203564	206	1205371	127	1205982	115
1203162	154	1203565	206	1205393	146	1205987	91
1203164	154	1203570	63	1205409	366	1205994	18
1203166	200	1203574	180	1205422	142		42
1203169	92	1203575	180	1205458	195	1205996	18
1203170	91	1203576	180	1205471	101		42
1203172	91	1203577	180		106	1206605	106
1203176	91	1203579	159		167	1206770	19
1203183	206	1203580	158	1205501	189		43
1203192	127	1203581	339	1205529	185	1206787	16
1203193	127	1203591	191	1205530	185		38
1203196	138	1203594	147	1205532	114	1206796	14
1203208	356	1203595	147	1205533	218		36
1203231	82	1203616	185	1205534	185	1206838	19
1203234	82	1203618	180	1205598	145	1206843	19
1203235	81	1203619	147	1205654	92	1206846	19
1203262	179	1203620	147	1205656	89	1206847	16
	180	1203636	101		91		38
1203281	359	1203637	101	1205657	89	1206848	16
1203346	18		106		91		38
	42	1203654	146	1205659	89	1206850	14
1203347	18	1203656	146		91		36
	42	1203672	146	1205660	206	1206870	82
1203370	137	1203673	146	1205661	206	1206872	37
1203374	89	1203695	167	1205662	206	1206873	38
	91	1203699	185	1205663	206	1206876	12
1203375	91	1205016	127	1205664	185		34
1203378	89	1205020	191	1205696	146		375
	91	1205021	195	1205720	356	1206880	33
1203379	89	1205022	195	1205721	356	1206882	33
	91	1205031	146	1205722	356	1206884	12
1203386	173	1205056	147	1205723	356		33
1203387	173	1205067	365	1205724	356	1206897	13
1203441	90	1205086	355	1205726	356		35
1203442	90	1205099	114	1205741	185	1206903	101
1203445	92	1205100	145	1205742	185	1206909	33
1203446	92	1205106	146	1205769	115	1206930	43
1203457	18	1205107	146	1205772	115	1206973	66
	81	1205111	133	1205774	137	1206988	13
1203484	81	1205167	365	1205844	145		35
1203502	173	1205233	147	1205876	113		375
1203503	173	1205245	147	1205877	114	1207010	19

NUMERICAL PART NUMBER INDEX

<i>Part No.</i>	<i>Page No.</i>	<i>Part No.</i>	<i>Page No.</i>	<i>Part No.</i>	<i>Page No.</i>	<i>Part No.</i>	<i>Page No.</i>
1207030	43	1208311	89	1214201	185	1215903	202
	82	1208317	173	1214203	185	1215904	202
1207042	12	1208319	173	1214205	185	1216037	114
	34	1208321	173	1214253	100	1216038	114
1207051	82	1208368	99	1214255	100	1216039	114
1207074	38	1208418	99	1214261	100	1216041	115
1207079	13		105	1214266	100	1216043	115
	35	1208532	365	1214319	114	1216044	115
1207080	12	1208550	129	1214343	145	1216052	115
1207095	100	1208551	129	1214397	200		121
	105	1208554	129	1214419	115	1216087	206
1207096	100	1208556	129	1214420	128	1216088	206
1207097	100	1208557	129	1214494	367	1216089	206
1207103	42	1208559	129	1214554	17	1216098	367
1207152	206	1208614	145		40	1216108	113
1207153	206	1208707	36	1214622	34	1216110	367
1207154	206	1208728	35		375	1216120	119
1207155	206	1208757	18	1214641	34	1216183	133
1207156	206		42		375	1216200	129
1207157	206	1208762	179	1214647	39	1216203	129
1207162	145	1208782	13	1214648	39	1216207	129
1207163	145		35	1214649	39	1216208	129
1207164	113	1208783	13	1214651	39	1216209	129
1207165	113		35	1214652	16	1216211	129
1207200	114	1208784	13		39	1216212	129
	120		35	1214656	43	1216213	129
1207430	154	1208794	12	1214677	16	1216214	129
1207432	154		34		38	1216215	129
1207442	100	1208810	82	1214737	15	1216216	129
1207520	154	1208814	81		37	1216217	129
1207580	19	1208861	19	1214758	43	1216218	129
	42		44	1214765	17	1216221	129
	43	1208868	12		40	1216222	129
1207646	137		34	1214890	43	1216223	129
1207647	137	1208880	81	1214892	43	1216224	129
1207668	367		375	1214894	89	1216226	130
1207736	159	1208971	173		91	1216227	130
1207737	158	1210004	14	1214895	89	1216451	169
1207738	159		35		91	1216452	169
1207780	173	1210147	137	1214898	89	1216546	185
1207896	181	1210148	137		91	1216548	185
1207902	180	1210201	114	1215148	115	1216554	153
	181		120	1215169	206	1216574	114
1207907	180	1210261	167	1215232	173	1216575	114
1207922	180	1210262	101	1215233	173	1216580	145
1207928	367		167	1215314	133	1216599	147
1207933	180	1210263	101	1215424	185	1216600	147
1207959	173	1214003	173	1215446	90	1216610	113
1207962	180	1214004	173	1215505	200	1216611	113
1207973	15	1214005	173	1215590	101	1216626	167
	37	1214047	114	1215612	168	1216628	101
1208009	202	1214048	114	1215654	137		106
1208010	202	1214049	114	1215657	138		167
1208011	202	1214050	114	1215658	138	1216630	101
1208012	202	1214051	145	1215659	138		106
1208022	127	1214085	113	1215660	138	1216648	101
1208050	185	1214165	81	1215672	138		168

NUMERICAL PART NUMBER INDEX

<i>Part No.</i>	<i>Page No.</i>	<i>Part No.</i>	<i>Page No.</i>	<i>Part No.</i>	<i>Page No.</i>	<i>Part No.</i>	<i>Page No.</i>
1216664	101	1218672	39	1223506	120	1228574	201
	106	1218678	100	1223552	106	1228905	119
	168		106		375	1228906	119
1216667	174	1218691	18	1224115	364	1228949	364
1216685	166		42	1224263	114	1229149	137
	375	1218692	42	1224264	114	1229301	120
1216687	174	1218693	43	1224266	14	1229302	120
1216883	180	1218694	42		35	1229303	120
1216896	191	1218698	37	1224272	146	1229304	120
	367	1218703	38	1224273	146	1229305	120
1216936	174	1219008	179	1224291	42	1229323	146
1216937	367	1219011	359	1224448	115	1229418	119
1217810	365	1219012	165	1224500	119	1229455	119
	366	1219013	173	1224501	120	1229538	120
1217855	114	1219015	100	1224502	120	1229587	138
1217953	115		106	1224503	120	1229676	200
1217967	114	1219017	100	1224504	120	1229696	138
1217970	119		106	1224505	120	1229701	138
1217977	364	1219018	100	1224506	120	1235054	37
1217978	364		106	1224509	120	1235070	38
1217981	364	1219019	100	1224512	120	1235108	42
1217986	206		106	1224513	120	1235274	114
1218027	206	1219025	359	1224530	119	1235278	120
1218028	206	1219032	82	1224532	119	1235977	39
1218137	63	1219041	142	1224537	119	1236490	364
1218171	195	1219042	185	1224540	119	1236492	169
1218182	138	1219045	166	1224544	119	1236575	121
1218184	138	1219048	158	1224545	119	1238004	33
1218202	158	1219049	158	1224547	119	1800016	99
1218214	99	1219050	101	1224578	119		375
	105		106	1224586	119	1800027	195
1218308	43		168	1224593	119	1800083	203
1218309	43	1219051	101	1224595	119	1800089	20
1218319	179		106	1224599	120		22
1218347	14		168	1228004	42	1800126	205
	15	1219052	101	1228012	42	1800128	364
	36		106	1228027	12	1800129	364
1218376	19		168		34	1800132	364
	43	1219054	92	1228028	34	1800218	45
1218377	43	1219067	154	1228091	37		375
1218383	38	1219068	81	1228109	105	1800230	203
1218394	37	1219069	129	1228110	105	1800231	203
1218400	200	1219070	129	1228163	100	1800233	205
1218401	200	1219071	168		105	1800249	195
1218402	200	1219075	129	1228204	120	1800252	202
1218403	200	1219076	106	1228224	121	1800258	192
1218435	37	1219081	130	1228226	120	1800266	45
1218451	15	1219085	133	1228256	195	1800274	198
	37	1219092	107	1228356	364	1800300	99
1218517	39		375	1228570	201		375
1218575	37	1219100	173	1228571	200	1800311	202
1218587	16	1219101	203		201	1800314	198
1218592	15	1219353	363	1228572	200	1800356	367
1218593	15	1219684	115		201	1800394	365
1218594	39		120	1228573	200		366
1218606	38	1219876	120		201	1800515	367
1218624	37	1223506	115	1228574	200	1800542	105

NUMERICAL PART NUMBER INDEX

<i>Part No.</i>	<i>Page No.</i>	<i>Part No.</i>	<i>Page No.</i>	<i>Part No.</i>	<i>Page No.</i>	<i>Part No.</i>	<i>Page No.</i>
1800552	179	2120513	282	2120586	245	2120632	253
1800557	195		294		269	2120634	328
1800589	364		306		282	2120635	328
1800600	105	2120514	219		294	2120638	328
	375	2120515	219		306	2120639	328
1800680	198	2120516	219	2120587	236	2120653	239
1800682	197	2120517	219		245	2120655	277
1800742	179	2120518	219		269		290
1800751	105	2120520	236		282		302
	375		253		294		315
1800752	105		262		306	2120668	236
	375	2120521	236	2120588	254		245
1800898	179		253		259		253
1800909	45		262	2120589	254		259
1800915	200	2120524	254		259		269
2059699	365		259	2120594	268		282
2117201	231	2120525	254		281		294
2120500	241		259		293		306
	248	2120526	255		305	2120669	236
	257		261	2120595	268		245
	263	2120527	255		281		253
	277		261		293		259
	291	2120532	219		305		269
	302	2120533	219	2120598	329		282
	315	2120534	239	2120606	254		294
2120501	241	2120536	272		259		306
	257		285	2120607	254	2120670	227
	263		297		259	2120674	236
	277		309	2120610	255		245
	291	2120537	272		260		253
	302		285	2120611	255		259
	315		297		260		269
2120502	227		309	2120620	238		282
2120503	227	2120540	268		247		294
2120508	236		281		284		306
	253		293	2120621	238	2120675	236
	262		305		247		245
	268	2120541	268		284		253
	281		281	2120624	241		259
	293		293		257		269
	305		305		263		282
2120509	236	2120542	268		277		294
	253		281		291		306
	262	2120542	293		302	2120678	238
	268		305		315		248
	281	2120543	268	2120626	235		271
	293		281		253		285
	305		293	2120627	235		297
2120512	236		305	2120630	272		309
	245	2120550	327		285	2120679	238
	269	2120562	219		297		248
	282	2120563	219		309		271
	294	2120578	227	2120631	272		285
	306	2120583	219		285		297
2120513	236	2120584	219		297		309
	245	2120585	219		310	2120680	239
	269	2120586	236	2120632	235		248

NUMERICAL PART NUMBER INDEX

<i>Part No.</i>	<i>Page No.</i>	<i>Part No.</i>	<i>Page No.</i>	<i>Part No.</i>	<i>Page No.</i>	<i>Part No.</i>	<i>Page No.</i>
2120680	271	2120728	269	2120770	309	2121907	329
	285		282	2120778	239	2121908	236
	297		294		272		245
	309		306		286		253
2120681	239	2120729	277		297		259
	248		291		310		269
	271		302	2120780	239		282
	285		315	2120781	239		294
	297	2120732	236	2120784	272		306
	309		245		285	2121909	236
2120682	328		268		297		245
2120700	239		281		309		253
	272		293	2120785	272		259
	286		306		285		269
	297	2120733	236		297		282
	310		245		310		294
2120705	276		268	2120790	227		306
	289		282	2120808	217	2121910	235
	301		294	2120815	219		253
	314		306	2120816	218		263
2120706	276	2120740	276	2120817	218		268
	289		289	2120822	218		281
	301		301	2120828	217		293
	314		314	2120829	217		305
2120707	276	2120742	236	2120830	218	2121911	235
	289		245	2120836	217		253
	301		254	2120837	217		263
	314		259	2120852	218		268
2120708	276	2120743	236	2120864	217		281
	289		245	2120865	217		293
	301		254	2120866	217		305
	314		259	2120867	217	2121912	235
2120709	255	2120748	256	2120868	219		268
	260		261	2120869	219		281
	261	2120749	256	2120883	217		293
2120710	276		261	2120884	217		305
	289	2120750	256	2120885	221	2121913	235
	301		261	2120886	221		268
	314		256	2120887	221		281
2120711	276	2120751	256	2120888	221		293
	289		261	2120889	221		305
	301	2120756	269	2120890	219	2121914	239
	314		282	2120901	221		272
2120712	255		294	2120934	218		286
	260	2120757	269	2120935	218		297
2120713	255		282	2120939	227		310
	260		294	2120940	235	2121916	327
2120721	240		306		253		328
	287	2120762	253	2120941	235	2121918	328
	277		259		253	2121919	328
2120723	290	2120763	253	2120942	235	2121920	328
	302		259	2120943	235	2121921	328
	314	2120770	239	2120976	218	2121922	239
2120728	236		248	2120986	218		241
	245		271	2120988	220		248
	253		285	2120989	220		272
	259		297	2120998	218		274
							285

NUMERICAL PART NUMBER INDEX

<i>Part No.</i>	<i>Page No.</i>	<i>Part No.</i>	<i>Page No.</i>	<i>Part No.</i>	<i>Page No.</i>	<i>Part No.</i>	<i>Page No.</i>
2121922	288	2121944	286	2121980	257	2122054	270
	297		298		264		283
	300		310		278		295
	309	2121945	239		291		307
	312		272		303	2122056	239
2121923	239		286		315		272
	241		298	2121990	256		285
	248		310		261		297
	272	2121946	255	2121991	256		309
	274		261		261	2122057	239
	285	2121960	238	2121994	274		272
	288		248		288		285
	297		271		300		297
	300		284		312		309
	309		296	2121995	239	2122058	239
	312		309		272	2122059	239
2121924	328	2121961	238		286	2122060	272
2121925	328		248		297		285
2121932	236		271		310		297
	245		284	2121998	239		310
	253		296		248	2122061	272
	259		309		271		285
	268	2121962	238		285		297
	281		248		297		309
	293		271		309	2122064	255
	306		284	2122012	219		261
2121933	236		296		220	2122065	255
	245		309	2122014	254		261
	253	2121963	238		260	2122068	240
	259		248	2122019	219		273
	268		271		220		287
	281		284	2122020	219		299
	293		296		220		311
	306		309	2122040	219	2122069	240
2121934	237	2121974	255	2122042	241		273
	246		260	2122043	241		287
	270	2121976	271	2122044	241		299
	283		274	2122045	241		311
	295		284	2122046	274	2122085	272
	307		287		288		285
2121935	237		296		299		297
	246		299		312		310
	270		308	2122047	274	2122086	272
	283		312		287		285
	295	2121977	277		299		297
	307		290		312		310
2121936	255		302	2122048	274	2122094	276
	260		314		299		290
2121937	255	2121978	277		312		302
	260		290	2122049	274		314
2121940	227		302		287	2122095	276
2121942	254		314		299		290
	260	2121979	242		312		302
2121943	254		257	2122052	227		314
	260		264	2122053	227	2122096	276
2121944	239		329	2122054	237		290
	272	2121980	242		246		302
							314

NUMERICAL PART NUMBER INDEX

<i>Part No.</i>	<i>Page No.</i>	<i>Part No.</i>	<i>Page No.</i>	<i>Part No.</i>	<i>Page No.</i>	<i>Part No.</i>	<i>Page No.</i>
2122097	276	2122197	293	2202936	283	2202964	329
	290		305		295	2202965	329
	302	2122204	217		307	2202985	338
	314	2122206	217	2202939	228		365
2122098	272	2122207	218	2202940	228	2202986	337
	285	2122208	217	2202941	236	2202987	337
	297	2122209	217		246		366
	309	2122212	218		269	2202991	237
	310	2122213	218		282		246
2122099	272	2122214	217		294		269
	285	2122216	219		306		283
	297	2122217	217	2202942	237		295
	309	2122219	218		246		307
	310	2122222	218		269	2203127	229
2122156	329	2122223	217		282	2203128	328
2122157	227	2122227	218		294	2203129	328
2122158	328	2122228	218		307	2203130	229
2122159	328	2122229	218	2202943	328	2203131	239
2122165	227	2122230	218	2202950	239		248
2122166	228	2122231	218		248		256
2122168	227	2122232	219		272		262
2122169	227	2122234	217		285		272
2122170	227	2122235	217		297		274
2122171	227	2122236	217		309		285
2122174	236	2122237	217	2202951	239		288
	245	2122240	217		248		297
	268	2122241	218		309		300
	281	2122242	218	2202953	236		309
	293	2122243	218		246		312
	306	2122248	218		269	2203132	227
2122175	236	2122249	218		282	2203154	228
	245	2122883	217		294	2203155	228
	268	2202898	328		306	2203156	228
	281	2202900	227	2202954	236	2203157	228
	293	2202901	227		246	2203158	238
	306	2202902	227		269		247
2122176	253	2202908	230		282		271
	259	2202913	363		294		284
2122177	253	2202916	363		306		296
	259		364	2202955	236		308
2122182	227	2202917	363		246	2203159	238
2122183	227		364		269		240
2122185	227	2202934	237		282		247
2122192	268		246		294		271
	281		270		307		274
	293		283	2202956	237		284
	305		295		246		287
2122193	268		307		269		296
	281	2202935	237		282		299
	293		246		294		308
	305		270		307		311
2122196	268		283	2202957	237	2203160	237
	281		295		246		238
	293		307		269		240
	305	2202936	237		282		247
2122197	268		246		294		254
	281		270		307		260

NUMERICAL PART NUMBER INDEX

<i>Part No.</i>	<i>Page No.</i>	<i>Part No.</i>	<i>Page No.</i>	<i>Part No.</i>	<i>Page No.</i>	<i>Part No.</i>	<i>Page No.</i>
2203160	270	2203240	337	2203306	276	2203384	290
	271		366		289		302
	274	2203241	241		301		315
	283		274		313	2203461	277
	284		288	2203318	276		291
	287		300		289		303
	295		312		301	2203616	222
	296	2203262	273		314	2203704	337
	299		275	2203319	276		366
	308		286		289	2203744	157
	312		288		301	2203745	157
2203161	254		289		314	2203749	255
	259		298	2203320	276		260
2203173	254		300		289	2203890	202
	259		301		301	2203894	202
2203178	254		310		314	2203895	202
	260		313	2203321	276	2203901	202
2203179	254	2203291	273		289	2203902	202
	260		275		301	2203903	202
2203183	254		276		314	2203907	241
	260		286	2203336	263		256
2203184	254		288		329	2203932	203
	260		289	2203342	273	2203941	220
2203185	254		298		274	2203942	220
	260		300		286	2203966	202
2203190	339		301		288	2203967	202
	340		311		298	2203974	241
	341		313		300		257
	342	2203294	273		310		263
	343		275		312		277
2203191	339		276	2203343	273		291
	340		286		274		302
	341		288		286		368
	342		289		288	2204000	346
	343		298		298	2204001	345
2203197	275		300		300	2204002	346
	289		301		310	2204003	345
	300		310		312	2204004	347
	313		311	2203345	277	2204005	346
2203202	341		313		291	2204007	347
	343	2203295	275		302	2204010	345
2203203	341		289	2203346	256		346
	343		301		261	2204011	345
2203223	237		313	2203347	256		346
	246	2203297	275		261	2204012	345
	269		289	2203348	256		346
	283		301		261	2204013	345
	295		313	2203352	328	2204014	346
	307	2203300	275	2203353	329	2204015	346
2203234	241		289	2203366	329		347
	248		300	2203367	329	2204016	345
	257		313	2203373	329	2204017	345
	263		275	2203384	241	2204018	345
	277	2203301	289		248		346
	290		300		257	2204019	345
	302		313		263		346
	315	2203306	275		277	2204021	346

NUMERICAL PART NUMBER INDEX

<i>Part No.</i>	<i>Page No.</i>	<i>Part No.</i>	<i>Page No.</i>	<i>Part No.</i>	<i>Page No.</i>	<i>Part No.</i>	<i>Page No.</i>
2204022	346	2204408	256	2204591	303	2205583	220
2204023	345		262	2204594	242		366
2204024	345	2204409	256		257	2205584	220
2204025	345		262		264		366
	347	2204412	230		278	2205620	364
2204026	345		363		303	2205621	364
	346		364	2204596	278	2205636	229
2204027	345	2204414	363		303	2205641	229
	346		364	2204597	242	2205646	229
2204030	346	2204415	363		257	2205647	229
2204031	346		364		264	2205648	229
2204032	347	2204416	230		278	2205649	229
2204041	345	2204417	230		303	2205652	229
	346	2204484	228	2204722	218	2205656	340
2204042	219	2204514	272	2204723	218	2205657	340
	347		286	2204726	327	2205660	340
2204043	219		298	2204727	327	2205661	340
	347		310	2204736	219	2205670	337
2204046	346	2204515	220		220		366
2204047	345	2204524	339	2204739	218	2205672	256
2204048	346		342	2204792	230		262
2204049	347	2204526	339	2204858	220	2205673	256
2204050	347		342	2204904	220		262
2204051	345	2204528	339	2204946	236	2205674	256
2204054	346		342		246		262
2204055	347	2204530	339		269	2205675	256
2204056	346		342		282		262
2204057	347	2204531	340		294	2205676	256
2204062	345		341		306		262
	346		343	2204947	236	2205708	323
2204066	346	2204534	341		246	2205709	323
2204067	346		343		269	2205710	323
2204068	219	2204535	341		282	2205711	323
	347		343		294	2205712	323
2204069	219	2204538	341		306	2205713	323
	347		343	2204950	220	2205715	323
2204072	345	2204539	341		366	2205716	323
2204073	345		343	2204954	254	2205728	323
2204077	316	2204542	341		259	2205729	323
2204078	316		343	2204955	254	2205730	323
2204079	316	2204543	341		259	2205731	323
2204080	316		343	2204972	273	2205732	323
2204082	316	2204544	339		286	2205733	323
2204086	316	2204545	340		298	2205734	323
2204090	222	2204580	276		310	2205758	323
2204091	222		289	2204973	273	2205799	338
2204096	222		301		286		365
2204098	241		314		298	2205932	222
	257	2204581	276		310	2205933	222
	263		289	2204974	239	2206222	238
	368		301	2204975	239		247
2204376	364		314	2204976	327		271
2204386	195	2204589	278	2204977	327		274
2204406	256		303	2204993	220		284
	262	2204590	278		366		287
2204407	256		303	2205582	220		296
	262	2204591	278		366		299

NUMERICAL PART NUMBER INDEX

<i>Part No.</i>	<i>Page No.</i>	<i>Part No.</i>	<i>Page No.</i>	<i>Part No.</i>	<i>Page No.</i>	<i>Part No.</i>	<i>Page No.</i>
2206222	308	2206388	313	2206781	286	2208148	275
	312	2206406	276		288		276
2206223	238		289		298		286
	247		301		300		287
	271		314		310		288
	274	2206407	276		312		289
	284		289	2206782	273		298
	287		301		275		300
	296		314		286		301
	299	2206460	271		288		311
	308		296		298		313
	312		308		300	2208242	254
2206238	328	2206461	271		310		259
2206294	222		296		312	2208243	254
	245		308	2206783	273		259
	262	2206462	274		275	2208244	365
2206295	218		299		286	2208247	367
	245		312		288	2208299	220
2206296	218	2206464	328		298	2208355	366
	245	2206465	328		300	2208378	236
2206297	218	2206466	276		310		245
	245		290		311		269
2206298	245	2206467	276		312		282
	262		290		313		294
2206299	245	2206468	277	2206784	273		306
	262		290		275	2208416	323
2206301	218		302		276	2208476	241
	245	2206469	277		286		256
2206306	218		290		288	2208477	241
	245		302		289		256
2206307	218	2206479	221		298	2208493	363
	245	2206691	227		300	2208509	230
2206308	218	2206706	276		301	2208516	237
	245		290		310		246
2206309	218	2206707	276		311		270
	245		290		313		283
2206310	245	2206711	364	2206790	221		295
	262	2206719	276	2206826	221		307
2206311	245		290	2206861	217	2208517	237
	262		302	2206872	235		246
2206339	245		314		253		270
	262	2206720	277	2206873	235		283
2206340	245		290		253		295
	262	2206721	276	2206874	219		307
2206388	254		290	2208055	254	2208535	255
	259	2206765	256		259		261
	273		261	2208056	254	2208554	241
	275	2206780	273		259		248
	276		275	2208057	254		257
	286		286		259		263
	287		288	2208062	222	2208559	241
	288		298	2208063	222		248
	289		300	2208064	222		257
	298		310	2208065	222		263
	300		312	2208134	254	2208572	273
	301	2206781	273		259		275
	311		275	2208148	273		286

NUMERICAL PART NUMBER INDEX

<i>Part No.</i>	<i>Page No.</i>	<i>Part No.</i>	<i>Page No.</i>	<i>Part No.</i>	<i>Page No.</i>	<i>Part No.</i>	<i>Page No.</i>
2208572	288	2209054	363	2211434	293	2213933	346
	289		364		305	2213934	346
	298	2209056	256	2211489	340	2213940	345
	300		262		342		346
	301	2209057	256	2211492	254	2213941	346
	310		262		259	2213949	347
	312	2209416	316	2211493	254	2213952	317
	313	2209417	316		259	2213954	329
2208573	273	2209429	349	2212912	340	2213964	262
	275	2209451	223		342	2213965	262
	286		316	2212913	340	2213973	218
	288	2209452	223		342	2213974	218
	289	2209454	222	2212914	339	2213975	218
	298	2209455	223		342	2213979	221
	300	2209456	223	2212915	339	2213980	221
	301	2209457	223		342	2213981	221
	310	2209458	223	2212916	340	2213982	221
	312	2209461	349	2212917	340	2213983	218
	313	2209462	349		342	2213986	262
2208611	337	2209463	349	2212918	341	2213987	219
	366	2209956	316		343	2213988	262
2208707	316	2209978	220	2212925	364	2213989	262
2208712	315	2210405	255	2212932	340	2213991	262
2208715	315		261	2212934	340	2213996	262
2208718	315	2210415	221	2212970	339	2213997	262
2208719	315	2211414	245		340	2213998	221
2208742	349		262		341	2213999	221
2208743	349	2211418	242		342	2214500	347
2208744	349		258	2212971	339	2214501	241
2208750	349		264		342		257
2208751	329	2211419	242	2212972	339		263
	349		258		342		278
	329		264	2212973	339		291
2208754	329	2211422	242		340		303
2208755	329		242		341	2214502	242
2208757	316		258		342		257
2208758	349		264	2213036	254		263
2208759	349	2211423	242		259		278
2208762	349		258		255		291
2208763	349		264	2213125	261		303
2208764	349	2211430	268		261		303
2208765	349		281	2213296	343	2214503	242
2208766	349		293	2213340	230		257
2208767	349		305	2213341	230		263
2208768	349	2211431	268	2213342	230		278
2208769	349		281	2213415	339		291
2208770	349		293	2213416	339		303
2208771	316		305	2213417	339	2214504	242
2208772	316	2211432	268	2213418	340		257
2208778	316		281	2213419	340		263
2208779	349		293	2213420	341		278
2208780	349		305	2213421	341		291
2209001	327	2211433	268	2213422	340		303
2209007	220		281	2213465	340	2214508	263
2209048	256		293	2213776	365	2214512	221
	262		305	2213889	219	2214513	221
2209053	230	2211434	268		220	2214515	221
	363		281	2213933	345	2214520	262

NUMERICAL PART NUMBER INDEX

<i>Part No.</i>	<i>Page No.</i>	<i>Part No.</i>	<i>Page No.</i>	<i>Part No.</i>	<i>Page No.</i>	<i>Part No.</i>	<i>Page No.</i>
2214521	347	2215102	316	2215553	257	2216309	217
2214522	262	2215103	316		264	2216341	228
2214523	262	2215107	350		278	2216343	219
2214658	271	2215110	351		291	2216347	217
	274	2215113	350		303	2216352	227
	277	2215124	350	2215554	242	2216353	228
	284	2215129	351		257	2216355	219
	287	2215131	350		264	2216357	227
	296	2215132	350		278	2216358	217
	299	2215143	350		291	2216359	217
	302	2215144	351		303	2216364	236
	308	2215145	350	2215555	242		245
	312	2215146	350		257		268
	315	2215149	316		264		281
	363	2215152	316		278		293
2214664	211	2215154	316		291		306
2214723	269	2215170	315		303	2216365	236
	282	2215183	350	2215556	242		245
	294	2215187	351		257		268
	306	2215188	351		264		282
2214725	269	2215192	351		278		294
	282	2215193	351		291		306
	294	2215251	316		303	2216366	253
	306	2215252	316	2215557	242		259
2214726	269	2215258	316		257	2216367	253
	282	2215268	314		264		259
	294	2215269	314		278	2216368	236
	306	2215270	314		291		245
2214731	365	2215271	314		303		268
2214787	241	2215297	316	2215559	367		281
	274	2215326	350	2215669	341		293
	288	2215327	350	2215723	237		306
	300	2215332	350		246	2216369	236
	312	2215333	350		269		245
	328	2215334	350		270		268
2214788	241	2215335	350		283		281
	274	2215336	350		295		306
	288	2215337	350		307	2216370	253
	300	2215338	350	2215776	256		259
	312	2215339	350		261	2216371	253
	328	2215343	350	2215833	343		259
2214920	218	2215344	350	2215834	343	2216384	236
2214921	218	2215345	350	2215901	350		245
2214966	253	2215346	350	2215913	350		269
	259	2215551	241	2215914	350		282
2214967	253		257		351		294
	259		263	2215918	317		306
2214981	218		277		365	2216385	236
2214991	255		291	2215942	346		245
	260		302		347		269
2214999	255	2215552	242	2215981	222		282
	260		257	2215983	221		294
2215056	315		264	2215984	222		306
2215064	315		278	2215991	221	2216391	235
2215066	315		291	2215992	221		253
2215100	316		303	2216164	222	2216402	237
2215101	316	2215553	242	2216308	217		246

NUMERICAL PART NUMBER INDEX

<i>Part No.</i>	<i>Page No.</i>	<i>Part No.</i>	<i>Page No.</i>	<i>Part No.</i>	<i>Page No.</i>	<i>Part No.</i>	<i>Page No.</i>
2216402	270	2216989	286	2217541	313	2218713	219
	283		288	2217542	276	2218714	227
	295		298		289	2218715	227
	307		300		301	2218726	227
2216403	237		310		313	2218732	235
	246		311	2217543	276	2218733	235
	270		312		289	2218738	268
	283		313		301		281
	295	2216993	273		313		293
	307		275	2217548	276		305
2216443	240		276		289	2218739	268
2216503	342		286		301		281
2216504	342		288		313		293
2216505	342		289	2217551	220		305
2216506	341		298		366	2218746	227
2216547	329		300	2217562	217	2218916	256
2216549	239		301	2217563	217		262
	272		311	2217564	217	2218917	256
	286		313	2217565	217		262
	297	2216998	273	2217687	229	2218918	256
	310		275	2217779	229		262
2216640	315		276	2218552	239	2218919	256
	365		286		241		262
2216758	323		288		248	2218963	238
2216759	323		289		272		240
2216789	219		298		274		247
2216946	315		300		285		271
2216962	343		301		288		274
2216963	343		311		297		284
2216970	241		313		300		287
	248	2216999	273		309		296
	277		275		312		299
	290		286	2218559	237		308
	302		288		247		311
	315		298		270	2219120	277
2216971	241		300		283		291
	248		311		295		303
	277		313		308	2219345	227
	290	2217511	220		229	2219800	228
	302		366	2218560	229	2219801	228
	315	2217513	220	2218574	256	2219891	242
2216972	257		366		261		257
	263	2217516	222	2218575	256		264
2216973	257	2217517	222		261	2219969	229
	263	2217518	222	2218592	254	2220512	339
2216988	273	2217519	222		260		340
	275	2217540	275	2218593	254		341
	286		276		260		342
	288		289	2218596	256		343
	298		300		261	2221702	217
	300		301	2218597	256	2221724	254
	310		313		261		259
	311	2217541	275	2218610	254	2221725	254
	312		276		260		259
	313		289	2218611	254	2221734	254
2216989	273		300		260		259
	275		301	2218712	219	2221735	254

NUMERICAL PART NUMBER INDEX

<i>Part No.</i>	<i>Page No.</i>	<i>Part No.</i>	<i>Page No.</i>	<i>Part No.</i>	<i>Page No.</i>	<i>Part No.</i>	<i>Page No.</i>
2221735	259	2223056	294	2224042	309	2225059	328
2221746	238		306	2224043	238	2225064	329
	247	2223070	237		248	2225065	329
	271		246		271	2225070	328
	274		270		285	2225071	328
	284		283		296	2225092	239
	287		295		309		248
	296		307	2224044	238		271
	299	2223071	237		248		285
	308		246		271		297
	312		270		285		309
2221777	218		283		296	2225093	222
2222000	217		295		309	2225094	222
2222268	219		307	2224045	238	2225098	236
2222276	241	2223072	240		248		246
2222278	241	2223074	241		271		269
2222807	253	2223076	228		285		282
	259	2223090	328		296		294
2222818	268	2223093	238		309		297
	281		247	2224980	315		306
	293		255	2224989	316	2225099	236
	305		260	2224991	317		246
2222819	268		271	2225008	307		269
	281		284		310		282
	293		296	2225009	307		294
	305		309	2225010	310		297
2223007	328	2223525	365	2225011	309		306
2223008	328	2224023	327	2225012	305	2225112	324
2223009	327	2224024	328	2225013	305	2225113	324
2223010	327	2224025	328	2225014	305	2225116	227
2223012	236	2224026	268	2225015	305	2225600	235
	240		281	2225044	236		253
	245		293		253	2225601	235
	269		305	2225048	236	2225628	236
	282	2224027	327		253		245
	294	2224028	268		268		268
	306		281		281		281
2223014	324		293		293		293
2223015	324		305		305		306
2223020	324	2224029	268	2225050	276	2225629	236
2223021	324		281		290		245
2223024	324		293		302		268
2223025	324		305		314		281
2223026	324	2224034	268	2225051	276		293
2223027	324		281		290		306
2223028	324		293		302	2225634	239
2223034	324		305		314		272
2223043	324	2224035	268	2225052	276		285
2223044	324		281		290		309
2223045	324		293		302	2225635	239
2223046	324		305		314		272
2223047	324	2224036	327	2225053	276		285
2223056	236	2224042	238		290		309
	240		248		302	2225644	220
	245		271		314	2225645	220
	269		285	2225058	314	2225646	220
	282		296	2225059	314		

NUMERICAL PART NUMBER INDEX

<i>Part No.</i>	<i>Page No.</i>	<i>Part No.</i>	<i>Page No.</i>	<i>Part No.</i>	<i>Page No.</i>	<i>Part No.</i>	<i>Page No.</i>
2227519	365	2228065	272	2228088	253	2516309	337
2227520	365		285		259		366
2227522	365		297	2228089	253	2516319	338
2227824	368		310		259		365
2228012	271	2228066	276	2228090	235	2516322	338
	296		277		253		366
	308		290	2228091	235	3018001	229
2228013	271	2228067	276		253	3018002	229
	296		277	2228092	235	3018003	229
	308		290	2228093	235	3018004	229
2228014	328	2228068	276	2228094	273	3018005	229
2228015	328		277		286	3019639	365
2228018	277		290		298	3020087	206
	290	2228069	276		310	3020118	207
	302		277	2228095	273	3020905	229
2228019	277		290		286	3020906	229
	290	2228070	277		298	3020907	229
	302		290		310	3020908	229
2228024	276	2228071	276	2228096	239	3020909	229
	277		277	2228097	239	3021429	236
	290		290	2228098	239		246
	302	2228076	236		240		269
	314		245	2228099	239		282
2228025	274		269		240		294
	299		282	2229600	327		306
	312		294	2229601	327	3021430	236
2228026	268		306	2229636	236		246
	281	2228077	236		245		269
	293		245		259		282
	305		269	2229637	236		294
2228033	268		282		245		306
	281		294		259	3021561	198
	293		306	2229638	239	3021570	206
	305	2228078	239	2229639	239	3021672	324
2228050	239		272	2229913	365	3021673	324
2228051	276		286	2231238	365	3021674	324
	289		298	2509674	337	3022306	194
	301		310	2509691	338	3022468	194
	314	2228079	239		366	3022572	194
2228058	276		272	2509699	338	3023032	217
	289		286	2509801	242	3023536	355
	301		298		257	3023776	227
2228059	276		310		264	3023876	194
	289	2228080	239		278	3024447	230
	301		272		303	3055318	194
2228060	276		286	2510256	337	3055319	194
	289		298		366	3055404	220
	301		310	2510259	337	3055927	237
	314	2228081	239		366		246
2228061	276		272	2510542	316		269
	289		286	2510545	316		283
	301		298	2511660	350		295
	314		310		351		307
2228064	272	2228086	254	2516300	337	3055928	237
	285		259	2516302	337		246
	297	2228087	254		366		269
	310		259				283

NUMERICAL PART NUMBER INDEX

<i>Part No.</i>	<i>Page No.</i>	<i>Part No.</i>	<i>Page No.</i>	<i>Part No.</i>	<i>Page No.</i>	<i>Part No.</i>	<i>Page No.</i>
3055928	295	5032071	65	5033553	63	5033629	74
	307	5032137	63	5033564	66	5033630	74
3057260	227	5032263	66	5033565	63	5033631	74
3058147	173	5032356	71	5033566	63	5033632	74
3058148	173	5032397	72	5033567	63	5033633	74
3058155	230	5032400	73	5033568	63	5033634	74
3058199	192	5032401	66	5033569	63	5033635	74
3058200	193	5032403	66	5033570	64	5033636	74
3058655	365	5032411	71	5033571	64	5033637	74
3077096	173	5032499	71	5033572	64	5033638	74
3077314	230	5032503	65	5033574	64	5033639	75
3077315	230		74	5033575	64	5033640	75
3094580	211	5032523	65	5033576	65	5033641	75
3094581	211	5032675	75	5033577	65	5033642	75
3094582	211	5032683	74	5033578	65	5033643	75
3094583	211	5032741	78	5033579	66	5033644	75
3094584	211	5032755	65	5033580	66	5033645	75
3094585	211	5032756	65	5033582	66	5033646	75
3094586	211	5032839	63	5033583	66	5033647	75
3094587	211	5032886	66	5033584	66	5033648	77
3095111	211		71	5033585	66	5033649	77
3095112	211		72	5033586	67	5033650	77
3095113	211		74	5033587	69	5033651	77
3095114	211		77	5033588	69	5033652	77
3095115	211		80	5033589	69	5033653	77
3095116	211	5032888	72	5033591	69	5033654	78
3095117	211	5032889	63	5033592	69	5033655	78
3095118	211		64	5033593	69	5033656	78
3095119	211		66		70	5033657	78
3095363	211		67	5033594	69	5033658	79
3095364	211		72	5033595	70	5033659	79
3095365	211		73	5033596	70	5033660	79
3095366	211		74	5033597	71	5033661	77
3095367	211		75	5033598	71	5033662	77
3095370	211		77	5033600	71	5033663	67
3095371	211		79	5033601	71	5033664	80
3095372	211	5032890	66	5033602	71	5033665	80
3095374	211		67	5033603	71	5033666	80
5019547	34		80	5033604	71	5033668	80
5030173	101	5032891	73	5033605	71	5033669	67
	107	5032895	78	5033606	71	5033670	81
	166	5032898	80	5033607	71	5033671	81
5030224	14	5032909	80	5033608	72	5033672	66
5030235	199	5032985	78	5033609	72	5033673	66
5030236	165	5033264	78	5033610	72	5033679	77
	166	5033286	77	5033611	72	5033680	63
5030781	197	5033304	79	5033612	72	5033681	65
5030786	197		80	5033613	72	5033682	65
5030856	200	5033504	63	5033614	72	5033683	73
5031002	165	5033507	78	5033618	72	5033685	75
	166	5033513	78	5033620	73	5033686	74
5031038	45	5033525	79	5033622	73	5033687	66
5031114	195	5033528	69	5033623	73	5033688	66
5031646	63	5033529	71	5033624	73	5033689	69
5031856	71	5033548	73	5033625	73	5033690	69
5031983	71	5033549	71	5033626	73	5033691	71
5031995	71	5033550	69	5033627	73	5033692	72
5032003	80	5033551	69	5033628	74	5033693	77

NUMERICAL PART NUMBER INDEX

<i>Part No.</i>	<i>Page No.</i>	<i>Part No.</i>	<i>Page No.</i>	<i>Part No.</i>	<i>Page No.</i>	<i>Part No.</i>	<i>Page No.</i>
5033694	77	5034327	63	5034832	69	5037562	246
5033695	63	5034328	63	5034833	80		270
5033731	180	5034335	66	5034834	71		283
5033732	180	5034341	77	5034854	63		295
5033733	180	5034343	69	5034867	70		307
5033735	73	5034354	69	5034870	81	5037563	237
5033791	78	5034355	69	5034871	81		246
5033815	180	5034356	69	5034872	75		270
5033817	71	5034357	70	5034873	75		283
5033818	71	5034358	70	5034874	75		295
5033819	71	5034359	70	5034875	75		307
5033820	63	5034423	67	5034876	75	5037564	237
	72	5034498	70	5034877	75		246
	74	5034499	70	5034882	63		270
5033821	72	5034500	70	5034888	75		283
5033822	80	5034501	70	5037048	192		295
5033824	77	5034507	66	5037060	192		307
5033825	77	5034508	66	5037061	192	5037565	237
5033826	77	5034509	66	5037063	192		246
5033827	77	5034510	66	5037284	207		270
5033828	77	5034511	70	5037285	207		283
5033829	80	5034522	78	5037287	197		295
5033830	65	5034523	78	5037291	200		307
5033831	65	5034525	63	5037342	179	5037566	158
5033832	66	5034618	72		180		159
5033833	66	5034623	66	5037375	199	5037567	159
5033834	78	5034624	65	5037376	199	5037568	158
5033836	78	5034640	65	5037380	364		159
5033837	80	5034644	63	5037381	364	5037579	158
5033841	69	5034646	77	5037388	203		159
	70	5034710	80	5037389	203	5037580	158
5033842	70	5034711	80	5037396	21		159
5033843	70	5034712	80		22	5037583	237
5033844	75	5034713	80		46		247
5033845	75	5034714	80	5037407	23		270
5033846	75	5034715	77	5037468	166		283
5033847	75	5034716	78	5037483	165		295
5033848	75	5034717	78		166		308
5033849	75	5034718	78	5037501	203	5037584	237
5033850	72	5034719	78	5037512	327		247
5033851	72	5034720	78	5037513	327		270
5033852	64	5034721	80	5037514	327		283
5033854	66	5034744	72	5037522	327		295
5033855	67	5034754	73	5037524	200		308
5033856	78	5034755	75	5037533	101	5037585	240
5033857	81	5034756	75		166		273
5033869	65	5034757	75	5037543	199		287
5033871	72	5034758	75	5037544	199		299
5033872	69	5034759	75	5037560	153		311
5033874	66	5034760	75	5037561	237	5037586	240
5033889	73	5034761	75		246		273
5034142	200	5034770	80		270		287
5034149	65	5034771	80		283		299
5034286	73	5034815	71		295		311
5034295	64	5034816	65		307	5037587	237
5034296	74	5034831	69	5037562	237		240
5034326	63						247

NUMERICAL PART NUMBER INDEX

<i>Part No.</i>	<i>Page No.</i>	<i>Part No.</i>	<i>Page No.</i>	<i>Part No.</i>	<i>Page No.</i>	<i>Part No.</i>	<i>Page No.</i>
5037587	270	5037594	257	5037694	90	5037924	20
	273		263	5037695	90	5037925	14
	283	5037595	257	5037696	90		36
	287		263	5037697	90	5037926	14
	295	5037596	241	5037698	195		36
	298		248	5037699	195	5037927	14
	308		257	5037700	195		36
	311		263	5037701	195	5037928	14
5037588	237		277	5037726	173		36
	240		290	5037785	100	5037929	14
	247		302		106		36
	270		315	5037786	100	5037930	14
	273	5037597	241		106		36
	283		248	5037790	197	5037931	14
	287		257	5037803	337		36
	295		263	5037804	337	5037932	15
	298		277	5037805	337		36
	308		290		338	5037938	153
	311		302		365	5037939	153
5037589	237		315		366	5037940	153
	240	5037604	158	5037819	158	5037941	153
	247		159		159	5037942	153
	270	5037634	157	5037820	158	5037943	153
	273	5037635	157		159	5037944	153
	283	5037636	157	5037821	191	5037945	153
	287	5037637	157	5037822	191	5037946	153
	295	5037638	157	5037825	20	5037947	153
	299	5037639	157		22	5037948	153
	308	5037640	157		45	5037949	153
	311	5037642	157	5037830	204	5037952	341
5037590	237	5037643	157	5037831	204	5037953	339
	240	5037644	157	5037832	204	5037954	340
	247	5037645	157	5037833	204	5037955	340
	270	5037646	157	5037834	204	5037956	339
	273	5037648	73	5037835	204	5037957	339
	283	5037649	73	5037836	204	5037958	339
	287	5037650	73	5037838	195		341
	295	5037653	157	5037851	76	5037959	340
	299	5037654	157	5037870	204		341
	308	5037655	195	5037886	78	5037960	340
	311	5037656	195	5037887	78	5037961	341
5037591	241	5037657	157	5037888	78	5037962	341
	248	5037658	157	5037889	78	5037963	339
	257	5037660	73	5037890	78	5037964	339
	263	5037661	78	5037894	80	5037965	340
	277	5037662	78	5037896	80	5037966	340
	290	5037663	79	5037901	80	5037967	340
	302	5037664	18	5037912	80	5037968	340
	315		81	5037913	191	5037969	339
5037593	241	5037665	18	5037914	191	5037970	339
	248		81	5037915	191	5037979	196
	257	5037685	168	5037916	191	5037985	200
	263	5037686	168	5037920	20	5038008	191
	277	5037689	168	5037921	21	5038009	191
	290	5037690	168	5037922	21	5038010	191
	302	5037691	168		22	5038034	241
	315	5037693	168		46		288
				5037923	21		

NUMERICAL PART NUMBER INDEX

<i>Part No.</i>	<i>Page No.</i>	<i>Part No.</i>	<i>Page No.</i>	<i>Part No.</i>	<i>Page No.</i>	<i>Part No.</i>	<i>Page No.</i>
5038034	277	5038180	273	5038382	99	5039493	193
	290		284	5038383	99	5039494	192
	302		287	5038384	99		193
	315		296	5038391	77	5039497	193
5038035	241		299	5038396	73	5039533	197
	248		308	5038397	73		198
	277		311	5038398	73	5039534	198
	290	5038181	238	5038399	73	5039568	133
	302		247	5038400	73	5039569	133
	315		270	5038419	180	5039570	133
5038059	204		284	5038421	180	5039667	99
5038060	194		295	5038483	42		105
5038067	198		308	5038495	133	5039756	363
5038129	76	5038182	238	5038538	22	5039786	46
5038142	200		247	5038869	168	5039791	204
5038159	80		270	5038905	22	5040140	133
5038160	80		284	5038906	22	5040155	192
5038161	80		296		45		193
5038174	78		308	5038907	22	5040205	165
5038175	76	5038183	240		46		166
5038177	238		273	5038908	22	5040220	363
	240		287		46		375
	247		299	5038918	203	5040240	363
	270		311	5038920	203	5040241	203
	273	5038184	240	5038956	199	5040291	45
	284		273	5038961	76	5040294	46
	287		287	5038986	76	5040298	46
	295		299	5038994	45	5040299	46
	299		311	5039042	165	5040300	20
	308	5038191	102	5039046	76		22
	311		166	5039102	342		45
5038178	238	5038192	106	5039103	341	5040308	191
	240	5038200	165		342	5040347	153
	247	5038243	158	5039104	341	5040348	153
	270		159		342	5040349	153
	273	5038245	158		343	5040350	153
	284		159	5039164	153	5040351	153
	287	5038247	158	5039211	107	5040352	153
	295		159		166	5040353	153
	299	5038318	349	5039213	107	5040354	153
	308	5038325	197		166	5040355	153
	311	5038326	197	5039214	107	5040356	153
5038179	238	5038327	197		166	5040357	153
	240	5038328	197	5039215	107	5040358	153
	247	5038329	197		166	5040359	107
	270	5038330	197	5039216	166	5040360	200
	273	5038331	197	5039217	166	5040402	166
	284	5038333	197	5039219	46	5040403	166
	287	5038354	197	5039241	67	5040406	166
	296	5038355	197	5039313	197	5040409	107
	299	5038359	76	5039452	20		166
	308	5038374	355		22	5040414	166
	311	5038377	99	5039459	45		375
5038180	238	5038378	99	5039460	20	5040453	23
	240	5038379	99		22		46
	247	5038380	99		45	5040535	168
	270	5038381	99	5039493	192	5040536	168

NUMERICAL PART NUMBER INDEX

<i>Part No.</i>	<i>Page No.</i>	<i>Part No.</i>	<i>Page No.</i>	<i>Part No.</i>	<i>Page No.</i>	<i>Part No.</i>	<i>Page No.</i>
5040537	168	5042289	76	5042557	76	5102559	21
5040539	36	5042293	76	5042607	105		22
5040540	36	5042294	76	5042954	105	5102561	21
5040541	36	5042295	76	5042955	105	5102587	46
5040609	200	5042296	76	5042956	105	5102588	22
5040629	200	5042297	76	5042957	105	5102590	21
5040893	363	5042299	76	5042958	105	5102594	21
5040894	363	5042300	76	5042959	105	5102625	22
5040895	363	5042301	76	5042960	105	5102648	22
5040896	363	5042303	76	5042961	105		46
5040897	363	5042304	76	5043292	133	5102699	21
5040911	193	5042305	76	5043450	193		22
5040912	363	5042307	76	5043451	193		46
5040913	363	5042308	76	5043452	193	5102881	21
5040914	363	5042309	76	5043453	193		22
5041050	364	5042310	76	5043454	193	5104513	11
5041199	157	5042313	76	5043455	193	5104514	11
5041220	76	5042314	76	5043456	198	5104515	11
5041224	76	5042360	154	5043457	198	5104516	11
5041235	76	5042361	154	5043458	198	5104517	11
5041241	76	5042362	154	5043459	198	5104518	11
5041242	76	5042363	154	5043467	105	5104519	11
5041243	76	5042364	154	5043666	79	5104525	11
5041244	77	5042365	154	5043667	79	5104531	11
5041273	197	5042366	154	5043668	79	5105616	15
5041315	37	5042367	154	5043669	79		37
5041316	37	5042368	154	5043708	200	5105617	15
5041317	37	5042369	154	5043709	200		37
5041318	37	5042370	154	5043854	192	5105618	15
5041319	76	5042371	154	5043929	105		37
5041320	76	5042372	154	5044570	105	5105645	11
5041321	76	5042374	154	5100590	371	5105646	11
5041324	77	5042381	197	5100591	371	5105647	11
5041331	76	5042382	197	5100695	371	5105653	15
5041332	76	5042383	197	5100696	371		37
5041333	76	5042384	197	5100805	371	5105654	15
5041336	77	5042385	197	5100806	371		37
5041337	77	5042386	197	5100840	371	5105655	15
5041374	76	5042387	197	5100841	371		37
5041375	76	5042388	197	5101040	371	5105705	11
5041494	327	5042389	197	5101041	371	5105706	11
5041495	327	5042390	197	5101114	349	5105707	11
5041496	327	5042391	197	5101204	338	5105708	11
5042059	107	5042393	197		343	5105712	11
	166	5042394	197		346	5105713	11
5042157	76	5042395	197		347	5105714	11
5042158	76	5042396	197	5101439	346	5105715	11
5042160	76	5042397	197		347	5105719	11
5042161	76	5042398	197	5102487	21	5105720	11
5042162	76	5042399	197	5102490	22	5105721	11
5042163	76	5042400	197		46	5105722	11
5042165	76	5042402	198	5102522	46	5105768	12
5042166	76	5042404	198	5102523	21	5105769	12
5042167	76	5042406	198	5102525	22	5105770	12
5042174	76	5042408	198	5102558	22	5105771	12
5042265	76	5042409	198		46	5106352	371
		5042410	198			5106353	371

NUMERICAL PART NUMBER INDEX

<i>Part No.</i>	<i>Page No.</i>	<i>Part No.</i>	<i>Page No.</i>	<i>Part No.</i>	<i>Page No.</i>	<i>Part No.</i>	<i>Page No.</i>
5106388	338	5109994	33	5115082	371	5200315	323
	343	5109995	33	5115083	371	5200324	145
	346	5109996	33	5115090	371	5200325	145
	347	5110001	33	5115091	371	5200326	146
5107412	21	5110041	349	5115092	371	5200333	363
	22	5110042	349	5115093	371	5200340	113
	46	5110043	350	5115110	371	5200346	145
5108456	349		351	5115111	371	5200347	145
	350	5110397	33	5115174	371	5200348	146
	351	5110398	33	5115175	371	5200349	146
5108462	349	5110399	33	5115176	371	5200386	33
5108648	46	5110400	33	5115177	371		375
5108649	21	5110401	33	5115182	371	5200390	367
	22	5110403	33	5115183	371	5200419	174
5108972	371	5110417	33	5115188	371	5200428	147
5108973	371	5112014	12	5115189	371	5200462	113
5109395	12		34	5115190	371	5200465	113
	34	5112015	12	5115191	371	5200470	173
5109396	12		34	5115296	371	5200520	239
	34	5112016	12	5115297	371		248
5109397	12		34	5150851	69		256
	34	5112017	12	5150852	69		262
5109398	12		34	5150853	69		272
	34	5112215	371	5150854	69		285
5109424	33	5112216	371	5150856	69		297
5109428	33	5112217	371	5150857	69		309
5109431	33	5112218	371	5150858	69	5200521	20
5109435	33	5112223	16	5150859	69		21
5109438	33		38	5150861	69		22
5109442	33	5112286	371	5150862	69		45
5109445	33	5112287	371	5151515	69		46
5109446	33	5112495	371	5151516	69	5200522	20
5109447	33	5112496	371	5151517	69	5200564	337
5109448	33	5112497	371	5151518	69		366
5109534	12	5112498	371	5200191	78	5200565	338
	34	5112972	12	5200242	145		365
5109535	12		34	5200243	137	5200627	119
	34	5112973	12	5200244	137	5200634	173
5109536	12		34	5200245	137	5200705	119
	34	5112976	33	5200248	368	5200725	33
5109537	12	5114667	15	5200253	69	5220092	365
	34		37	5200281	363	5220168	202
5109546	12	5114671	15	5200282	191	5220172	200
	34		37	5200283	365	5220189	204
5109547	12	5114676	371	5200285	337	5220199	20
5109548	34	5114677	371		366		44
5109550	12	5114980	41	5200286	146		45
5109551	12	5114981	41	5200291	18	5220201	20
5109552	12	5114982	41	5200292	11		44
5109553	12	5114983	41		375		45
5109961	12	5114986	41	5200295	338		79
	34	5114987	41		365	5220204	78
5109962	12	5114988	41	5200298	113	5220221	16
5109963	12	5115072	371	5200303	102		39
5109964	12	5115073	371	5200304	366	5220234	79
5109992	33	5115074	371	5200307	327	5220327	16
5109993	33	5115075	371	5200308	327		38

NUMERICAL PART NUMBER INDEX

<i>Part No.</i>	<i>Page No.</i>	<i>Part No.</i>	<i>Page No.</i>	<i>Part No.</i>	<i>Page No.</i>	<i>Part No.</i>	<i>Page No.</i>
5220340	13	5240730	371	9003218	145	9029145	17
	35	5240731	371	9003226	63		37
5220381	364	5240732	371	9009005	133		40
5220404	33	5240733	371	9009095	133	9029152	158
	41	5240734	371	9011074	339		159
5220423	42	5240735	371		340	9029171	66
5220433	113	5240736	371		341	9029172	66
5220450	11	5240737	371		342	9029179	158
5220487	173	5240738	371	9020000	277	9029200	79
5220490	113	5240739	371		302	9029204	101
5220498	18	5240740	371		315		106
5220588	14	5240741	371		363		168
	36	5240742	371	9020010	192	9029206	120
5220620	113	5240743	371		364	9029209	114
5220592	39	5240744	371	9020034	192	9034021	138
5220701	105	5240745	371		193	9034024	33
	106	5240746	371	9020036	276	9034025	33
	119	5240747	371		277	9034026	12
5220703	105	5240748	371		289		33
5220705	120	5240749	371		291	9034029	74
5220709	194	5240750	371		301	9034033	129
5220713	119	5240751	371		303	9034043	169
5220785	11	5240752	371		314	9050002	20
	33	5240753	371	9020039	219		22
5220790	195	5240754	371		323		45
5220795	114	5240755	371	9020041	355	9050003	23
5220834	12	5240756	371	9020042	238		46
	34	5240759	372		240	9050008	21
5220846	33	5240778	371		247		23
5220868	120	6600752	379		284		46
5220875	119	6600793	379		287	9050009	21
5220876	114	6600924	379	9020050	222		22
5220886	119	6600955	379		245		46
5220936	40	6600956	379		262	9050018	21
5220937	201	6600970	379	9022035	241		22
5220938	201	6601044	379		248		46
5220939	201	6601134	379		257	9050020	20
5220940	201	6601135	379		263		22
5220943	201	7100219	79		277		45
5220944	14	9000105	80		290	9050042	192
	36	9003029	14		302	9050095	20
5220964	11		36		315		44
5220965	33	9003046	99	9023007	18		45
	41	9003047	133		81		79
5240111	328	9003069	138		169	9050115	42
5240133	372		158	9024037	154	9050139	327
5240464	337	9003070	115	9029000	20	9050141	78
	366		121		22	9056026	196
5240695	372	9003083	137	9029006	78	9056027	202
5240696	372	9003093	11	9029016	157	9056028	355
5240697	372		33	9029068	138	9056059	340
5240698	372	9003174	73	9029079	138	9057070	76
5240699	372	9003190	119	9029131	89	9067000	229
5240700	372	9003197	137		91	9067001	229
5240701	372	9003201	146	9029132	169	9067004	256
5240702	372	9003202	15	9029141	185		261
5240703	372		37	9029145	15		328

NUMERICAL PART NUMBER INDEX

<i>Part No.</i>	<i>Page No.</i>	<i>Part No.</i>	<i>Page No.</i>	<i>Part No.</i>	<i>Page No.</i>	<i>Part No.</i>	<i>Page No.</i>
9067005	167	9067016	205	9067023	181	9067092	324
	205	9067017	174		185	9067094	198
9067007	220		194		324		276
	227		219	9067024	363		289
	229		222	9067026	173		301
	284		240		329		314
	323		269	9067027	18		315
9067008	193		274		19		327
	227		282		40		349
9067009	105		287		42	9067095	195
9067010	195		294		43		238
	229		299		44		240
	238		306		133		241
	240		311		222		247
	247		356		329		255
	270		366	9067028	89		257
	273		367		91		261
	284	9067018	174		324		263
	287		202	9067029	185		277
	296		245	9067034	83		291
	299		262		100		302
	308		327		105	9067097	219
	311		367		221		220
9067011	168	9067020	174		364		228
9067012	16	9067022	15	9067036	89		241
	38		16		91		276
9067013	229		35		99		290
9067014	13		37		100		302
	34		38		105		314
	89		101		106		327
	91		102		159	9067098	220
	242		106	9067037	15		228
	256		129		17		350
	257		167		37		366
	261		323		146	9067099	220
	264	9067023	16		185		339
	323		18	9067038	40		340
	353		19	9067041	145		341
	368		37		157		342
9067015	14		38		158		343
	15		39		230		366
	36		42		363	9067101	107
	92		44		364		127
	100		83	9067042	116		255
	101		89		121		260
	128		90	9067046	11		232
	129		91		33	9067104	328
	168		100		100	9067107	230
	204		105		106	9067112	221
	324		107	9067052	230		222
	345		113	9067064	195	9067120	242
	346		119	9067065	154		257
	347		129	9067069	255		264
9067016	36		158		260		278
	37		169	9067075	101		291
	89		179		106		303
	91		180		167		315

NUMERICAL PART NUMBER INDEX

<i>Part No.</i>	<i>Page No.</i>	<i>Part No.</i>	<i>Page No.</i>	<i>Part No.</i>	<i>Page No.</i>	<i>Part No.</i>	<i>Page No.</i>
9067208	367	9071158	119	9077616	35	9089043	114
9067212	79	9071159	113		113	9090029	72
9067249	116		119		137	9090057	146
	121	9075011	238	9078008	13	9096023	159
9067256	145		240		35	9096046	12
9067265	154		247		158		34
9067289	14		270	9078011	181	9099017	167
9067293	71		273	9078012	120	9101011	195
9067329	157		284	9078015	21	9101024	227
9067352	113		287	9078019	145	9101027	228
	119		296	9078020	15	9101807	16
9067395	168		299	9078031	17		38
9067399	197		308		39	9101808	11
9067409	185		311		355		33
9067410	168	9075016	323	9078032	15	9101820	63
9067416	80	9075033	100	9078033	113	9101828	63
9067425	80		106		116		65
9067435	15	9076023	323		121	9101830	63
	36	9076030	169	9078042	73	9101831	65
9067480	113	9076036	323	9078074	21	9101838	65
9067510	145	9076039	169	9078077	18	9101839	33
9068016	154	9077013	78		42	9101840	33
9071000	115		80		81	9101841	11
9071002	120	9077014	15	9079070	179		33
9071032	145		36		180	9101848	15
9071063	137	9077017	102	9079097	101		37
9071064	137		107		166	9101849	63
9071065	137	9077019	80	9079099	365	9102005	114
9071066	137	9077021	80	9082039	147		120
9071081	137	9077025	102	9082043	147	9102053	157
9071082	137		107	9084019	114	9102070	113
9071083	137		167	9084077	119		119
9071084	137	9077030	363	9086003	19	9102080	119
9071086	113	9077037	363		43	9102093	113
	119	9077044	76		92	9102107	137
9071094	137	9077046	11		200	9102121	72
9071095	137		33	9086004	169		138
9071096	137	9077068	102		323	9102136	146
9071122	197		107	9086005	323	9102143	138
9071124	238		167	9086015	101	9107005	66
	240	9077071	22		106	9107016	16
	247		46		167		38
	270	9077072	78	9086030	158	9107046	145
	273	9077073	78	9086033	167	9107058	158
	284	9077076	76	9086036	367	9107066	17
	287	9077078	21	9086037	71		40
	296		23	9087039	194	9107104	63
	299		46	9087076	13	9116001	222
	308	9077083	22		35	9116085	222
	311		23	9087157	148	9116146	356
9071150	113		46	9087370	324	9116157	355
	119	9077084	22	9088159	82		356
9071151	113		46	9088160	82	9117043	19
	119	9077088	66		83		43
9071152	113	9077608	200	9088161	82	9118500	229
	119	9077616	14	9088162	82		356
9071158	113		33	9088191	82		364

NUMERICAL PART NUMBER INDEX

Part No.	Page No.	Part No.	Page No.	Part No.	Page No.	Part No.	Page No.
9118514	207	9122188	254	9131013	277	9146020	35
9118527	207		260		290	9146030	115
	228		270		296		121
9118531	207		271		299	9146031	115
9118534	207		274		302		120
9118537	222		283		308	9146112	127
9119027	324		284		312	9146141	12
	350		287		314		34
	351		295		328		83
9119029	323		296	9131031	228		105
9119033	222		299	9132533	227	9146146	145
9119047	222		300	9132536	337	9146156	105
9119065	222		312		338	9146180	78
9119201	222	9122203	159		339	9146181	78
9119506	200	9122206	159		340	9146182	78
9119527	157	9122210	15		341	9146189	129
9119540	201		36		342	9146192	120
9119570	200	9122211	14		343	9151006	365
9119595	237		36		366	9151026	78
	246	9122213	80	9132936	229	9151027	78
	270	9123800	147	9132944	238	9151200	14
	283	9123810	147		247		35
	295	9126006	316		255	9151206	19
	307	9128521	222		260		43
9119598	228	9128523	222		271	9151211	20
9119605	207	9128549	222		284		45
	228	9128552	222		296	9151234	181
9120039	100	9129006	316		309	9151402	21
	106	9129600	330	9132945	229		23
9120150	168	9130032	242	9132947	229		46
9121024	227		257	9133216	129	9151405	13
9122009	192		264	9143024	305	9151504	102
	193		278		307		107
9122010	229		303		309	9155005	167
9122013	229	9130042	337		310	9156050	19
	204		338	9143036	328		21
9122018	315		339	9143052	221		23
9122102	15		340		222		44
9122106	145		341		323		47
9122107	14		366		324	9156051	14
9122119	145	9130071	237		343		35
9122121	146		246		350	9156058	19
9122126	15		270	9143053	222		43
9122127	14		283	9143078	222		179
	36		295	9144017	89	9156061	179
9122134	146		307		91		180
9122143	146	9130091	228	9144018	323		181
9122149	80	9130104	236	9144019	323	9156062	78
9122173	80		257	9144021	169	9156069	80
9122174	14		246		323	9156500	19
	15		269	9144022	101		21
	36		282		102		23
9122180	73		294		106		44
9122182	42		306		107		47
9122188	237		307		167	9156501	13
	238	9131013	271	9144052	77		35
	240		274	9146020	13	9156506	13
	247						

NUMERICAL PART NUMBER INDEX

Part No.	Page No.	Part No.	Page No.	Part No.	Page No.	Part No.	Page No.
9156506	35	9163231	167	9178563	168	9204098	133
9156513	71	9163232	167	9178579	365	9205010	197
9156515	18	9163233	167	9179004	367	9205017	77
	42	9163234	167	9179007	107	9205018	114
9156525	179	9163235	165	9179027	207	9205052	114
9156528	179	9163236	165	9179029	207	9205053	114
	180	9163237	102	9179053	206		120
	181	9163238	102	9179104	367	9206005	46
9156529	179	9163239	167	9179108	206	9206504	227
9156532	79	9163240	102	9179275	192		228
	80	9163241	102	9181011	185		229
9156551	13	9163301	102	9181015	185	9206524	229
	35		107	9181030	185	9206532	345
9156554	74	9163304	102	9187001	13		346
9156560	73		107		35	9206544	15
9157100	13	9163365	107	9187004	197	9206549	220
	19	9166010	181	9187006	115		366
	21	9166094	16		120	9213001	114
	23		39	9187008	120		120
	35	9166100	39		197	9213008	12
	44	9166112	83	9187012	14		34
	47	9166159	179		36	9213031	12
9157102	13		180	9187013	73		34
	14	9166275	42	9187205	113	9213040	34
	35	9168004	180		114	9214001	19
9157104	18	9168005	180		120		43
	42	9168007	180	9187220	119		173
9157106	19	9168008	180	9188002	199	9217013	129
	43	9168009	180	9188004	199	9217014	158
	179		181	9188015	138		159
	180	9169001	355	9188020	138	9217015	158
	181	9169024	363	9188040	113		159
9157113	13	9176000	19		119	9217025	145
	35		21	9192000	146		146
9157116	74		23	9192030	137	9217027	101
9157125	73		44	9192052	137		106
9159000	78		47	9192078	137		167
9159013	80	9176009	179	9192118	146	9217028	145
9159014	71	9176011	181	9197000	113	9217318	363
9159016	80	9176013	181		119	9217350	355
9159226	107	9176033	14	9198900	16	9217352	66
9159231	102		36		38	9221200	359
	167		168	9199113	153		367
9159232	363	9176086	363		154	9221512	359
9159502	77	9176102	363	9200034	199	9222085	242
9159514	180	9178127	316	9200042	199	9226040	13
9159520	363	9178131	367	9200046	12		35
9159529	78	9178502	206		34	9227015	200
9159530	80		207		69	9227100	207
9159531	80	9178504	206	9204008	77	9227101	207
9159532	102	9178520	206	9204011	11	9227102	207
	107	9178532	365		69	9227107	207
	167	9178537	181		70	9227111	200
9159538	78	9178539	365	9204013	33	9227115	197
9163005	107	9178540	206		70	9227201	200
9163229	167	9178558	179	9204029	113	9232021	363
9163230	167		181		119	9233059	254

NUMERICAL PART NUMBER INDEX

<i>Part No.</i>	<i>Page No.</i>	<i>Part No.</i>	<i>Page No.</i>	<i>Part No.</i>	<i>Page No.</i>	<i>Part No.</i>	<i>Page No.</i>
9233059	259	9510040	282	9510050	130	9520040	89
9233060	254		294		133		91
	259		306		137		202
9233560	229		323		138	9520041	220
	230		327		167		366
9510011	324		329		168	9520050	16
9510030	181		339		169		38
	195		340		173		71
	207		341		185		127
	229		342		221		130
	367		355		222		169
9510031	102		356		323	9520060	82
	107		366		329		147
	181		367		363		167
	195	9510041	158	9510051	107	9520070	115
	207		220		185	9520091	158
	220		221		241		159
	227		228		255	9520103	159
	242		253		260	9540090	146
	255		256		274	9540100	147
	257		260		288	9550010	205
	261		261		299	9550011	195
	264		345		312	9550020	191
	278		346		324		229
	291		347		328		238
	303		349	9510053	18		240
	315		366		42		247
	316	9510050	13	9510060	17		271
	327		16		19		274
	345		17		39		284
	346		18		43		287
	347		19		83		296
	349		20		99		299
	350		23		100		308
	356		35		127		311
9510040	14		38		133		343
	35		39		145	9550040	91
	36		40		147		194
	89		42		148	9551034	168
	91		43		153	9551043	147
	115		44		154		324
	121		64		157	9551044	350
	128		65		158	9551053	324
	129		72		185	9551054	11
	146		77		221	9552043	345
	153		81		230		346
	154		82		363	9552053	71
	158		83		364		80
	167		100	9510063	146		165
	174		101		147		166
	180		102	9510070	147	9555073	147
	202		106		154		154
	219		113		230	9557037	42
	220		116	9510080	154	9564040	341
	221		121	9510090	154		342
	222		127		158	9571063	116
	269		129	9510140	157		121

NUMERICAL PART NUMBER INDEX

<i>Part No.</i>	<i>Page No.</i>	<i>Part No.</i>	<i>Page No.</i>	<i>Part No.</i>	<i>Page No.</i>	<i>Part No.</i>	<i>Page No.</i>
9571063	169	9660201	166	9661241	17	9663123	264
9571073	154		167		19		272
9600051	166		168		39		274
9600521	193		185		43		277
	198		329		83		278
	363	9660203	202		99		285
9601421	146		323		100		288
9607015	14		324		105		290
9660102	205	9660241	92	9661242	105		291
9660121	20		147	9661243	230		297
	44		148	9661281	230		300
	78		185	9662242	221		302
	102		230	9663093	324		303
	107		363	9663102	238		309
	194		364		240		310
	195	9660242	147		242		312
	198	9660281	11		247		315
	207		33		257		316
9660123	241		147		264		327
	257		154		271		328
	263	9660322	145		274		345
	277	9661121	45		278		346
	291		83		284		347
	302		192		287		350
9660161	19		203		296		356
	38		363		299		366
	43	9661161	12		303	9663132	255
	81		13		308		261
	99		16		311	9664122	273
	101		34	9663112	191		287
	127		35		343		299
	165		36	9663113	350		311
	167		115	9663122	16	9664162	89
	168		120		38		91
	174	9661201	11		181		114
	194		12		195		115
	203		13		238		120
	205		15		240		129
	219		16		247		146
	256		17		270		158
	261		18		284		174
	355		19		296		180
	366		20		308		205
	367		23	9663123	76		220
9660201	13		33		181		221
	72		34		220		222
	99		35		221		323
	101		37		227		327
	102		38		239		329
	106		39		241		356
	107		40		242		367
	116		42		248	9664163	120
	121		43		255		219
	133		44		256		220
	137		82		257		221
	138		119		261		222
	157		363		262		227
	165	9661202	105		263		228

NUMERICAL PART NUMBER INDEX

<i>Part No.</i>	<i>Page No.</i>	<i>Part No.</i>	<i>Page No.</i>	<i>Part No.</i>	<i>Page No.</i>	<i>Part No.</i>	<i>Page No.</i>
9664163	237	9664202	180	9713166	346	9732086	303
	240		221		347		309
	241	9664203	113	9722065	241		314
	247		185		274		315
	254		221		288		324
	255		239		300		328
	260		241		312		329
	261		248		328	9732089	255
	270		255	9722082	363		261
	274		260	9722085	339	9732104	194
	276		271		340		365
	277		274		341	9732106	324
	283		285		366	9733049	220
	287		288	9723089	255		366
	290		297		261	9733066	202
	295		299	9724125	315	9733069	203
	299		300		365	9733083	241
	302		309	9731063	271		256
	307		312		274		323
	311		323		284	9733086	238
	314		328		287		242
	315	9664212	222		296		247
	327	9664241	366		299		257
	337	9664242	83		308		264
	339		100		312		271
	340		106	9732043	276		278
	341		127		289		284
	342		133		301		296
	343		138		314		303
	345		145	9732049	255		308
	346		146		261	9733089	167
	347		147	9732063	220		240
	349		148	9732066	241		287
	366		154		256	9733106	219
9664201	129		157		261		238
9664202	18		158		262		247
	19		159	9732083	192		284
	42		168		193	9734063	367
	43		185		364	9734066	220
	44	9664282	145	9732086	221		366
	81		147		239	9734083	207
	83	9664322	145		242	9735081	222
	89		154		248		245
	91	9664362	154		256		262
	101	9666163	327		257	9743066	355
	106	9670613	277		258	9744089	102
	113		290		261		107
	119		302		262		167
	127		314		264		181
	129		339		271	9746089	174
	130		340		276	9747089	107
	138		341		278		129
	158		342		285		181
	168		343		289	9752086	222
	169		366		291	9761085	316
	173	9670813	355		297	9762065	277
	179	9712086	222		301		290

NUMERICAL PART NUMBER INDEX

<i>Part No.</i>	<i>Page No.</i>	<i>Part No.</i>	<i>Page No.</i>	<i>Part No.</i>	<i>Page No.</i>	<i>Part No.</i>	<i>Page No.</i>
9762065	302	9782241	83	8-FIGURE SECTION		19106161	83
	314		173	19059026	350		148
9762086	271	9782261	173	19104091	167	19106183	99
	274	9782341	179	19104101	43		105
	277		180		81	19106191	363
	284	9782381	18	19104112	228		364
	287		43	19104121	158	19106223	19
	291	9782401	81	19104141	158		43
	296	9782441	18	19104142	220		100
	299	9783341	19	19104161	228	19106241	116
	302		42	19104201	356		121
	303		43	19105081	100		157
	308	9783401	42	19105101	37	19106261	157
	312	9783461	43		167	19106301	157
	315	9784281	355		329		158
9762105	341	9801043	113	19105120	129	19107121	154
	342		119	19105121	66	19107141	290
	343		137		83	19107203	11
9763085	272	9801642	17		101		33
	286		39	19105131	82	19107213	147
	298		113		106	19107223	145
	310	9801663	73	19105139	241	19107243	145
	347	9802041	11		274	19109281	154
	355		14		288	19404041	120
9763125	367		33		299	19404051	19
9764125	290		35		312		43
9772085	194	9803013	14	19105141	75	19404121	129
	257	9803029	116		101	19405101	82
	264		121		106	19405121	113
	278	9803046	80	19105142	328		119
	291	9803047	15	19105151	42	19503031	181
	303		36		82		195
	315	9804030	157	19105161	75		242
9772086	350	9804060	137		138		257
9772125	194	9804210	33	19105181	66		264
9772126	194	9804410	63		75		368
9773065	179	9804420	63	19105201	18	19503041	83
	180	9805031	11		63	19503042	102
	228		15		363		107
9773066	220		16	19105211	16		167
9773086	242		33		38		220
	257		37	19105221	185		241
	263		38	19105223	37		242
	278	9805480	11		39		255
	291		33	19105229	241		257
	303	9806280	146		274		261
9773106	219	9809210	11		288		263
9774126	276	9809340	11		299		264
	289		33		312		277
	301	9810087	89	19105261	185		278
	314		91	19106061	127		291
9774166	350	9810806	39	19106103	147		302
9780004	18	9830810	73	19106113	147		303
9781141	16	9843314	89	19106121	67		356
	39		91		100	19503051	74
9782111	179	9844407	72		105	19503052	356
	180			19106131	157	19503071	168

NUMERICAL PART NUMBER INDEX

<i>Part No.</i>	<i>Page No.</i>	<i>Part No.</i>	<i>Page No.</i>	<i>Part No.</i>	<i>Page No.</i>	<i>Part No.</i>	<i>Page No.</i>
19504031	180	19504061	36	19505061	72	19506061	168
19504041	13		38		74	19506062	366
	14		43		77	19506071	147
	15		205		83	19506073	12
	35		256		89		34
	36		261		91		145
	37		367		99	19506081	83
	89	19504062	219		101		363
	91		222		105		364
	101		337		106	19506082	230
	168		349		127	19506083	147
	174		366		129	19506093	159
	180	19504122	339		157	19506101	99
	203		340		165		105
	204		341		166		221
	220		342		168	19506161	72
	355		343		173	19507061	15
19504042	219	19505031	120		179	19507073	81
	221	19505041	66		180	19507101	73
	227		73		222	19603031	105
	228		89	19505062	324	19604031	114
	255		91	19505071	13		120
	261	19505044	255		35	19604041	100
	327		260		37		115
	339		328		72		323
	340	19505051	11		102	19604051	13
	341		12		107		35
	342		13		157		127
	343		19	19505081	13		200
	366		33		19	19604061	91
	367		34		35		115
19504051	12		35		40		120
	34		43		43		129
	72		44		82	19605041	100
	89		116		105		105
	91		121		138	19605051	90
	205		158		329		100
	221		165	19505091	127		363
	222		169		129	19605061	82
19504052	174		363		157		113
	219	19505052	221	19505101	15	19605071	19
	228		239		37		43
	241		248	19505111	63	19605081	82
	276		255	19505121	39	19606101	100
	277		260	19505131	66		106
	290		271		75	19606111	100
	302		285	19505181	16	19606151	100
	314		297		39	19804052	228
	315		309		329	29505092	137
	324		323	19505201	129	29505111	20
	327	19505061	13		222		44
	345		19	19505332	324	29704131	228
	346		35	19506051	80	29705092	18
	347		37	19506061	12		81
	367		39		34	29705093	37
19504061	14		44		43	29705102	63
	19		64		67	29705103	15
			67		154		

NUMERICAL PART NUMBER INDEX

<i>Part No.</i>	<i>Page No.</i>	<i>Part No.</i>	<i>Page No.</i>	<i>Part No.</i>	<i>Page No.</i>	<i>Part No.</i>	<i>Page No.</i>
29705103	37	39001064	288	39203105	365	39303081	296
29705113	17		289	39204081	327		299
	40		298	39204101	340		308
	65		300	39205064	248		311
29705123	65		301		271		315
29705132	72		311		285		324
29705133	15		313		297	39303083	16
	18	39003061	328		309		38
	37	39033080	198	39205144	256	39303100	20
	42	39033120	363		261		44
29705243	48	39033141	197	39215120	238		45
	42	39103081	349		348	39304061	222
29705251	37		350		271	39304080	256
29705283	65	39103084	346		284		261
29706122	65		347		285	39304081	220
29706123	146	39103101	345		296		221
29706132	185		347		297		237
29707133	73	39103122	316		309		240
29805131	42	39103201	345	39221201	327		247
29805133	18		347	39225144	238		255
	23	39104080	365		248		260
29805162	66	39104081	241		256		261
29806113	16		255		261		270
	39		260		271		274
29900249	18		272		284		283
	42		274		296		287
	185		285		309		295
29900257	15		288	39225184	238		299
	37		297		248		307
29900349	63		300		271		311
29900352	65		309		285	39304101	254
29900366	65		312		297		260
29900370	63		349		309	39304120	203
29900371	65	39104100	239	39301041	324	39304121	220
29900400	65		248	39301061	324	39304122	367
29900401	113	39104104	345	39302044	350	39304164	222
29900425	105		346	39303060	229	39304201	254
29900426	105	39104120	269		237		260
29900442	119		282		246	39305064	238
39001031	254		294		269	39305081	221
	259		306		282	39305104	241
	273		327		294		274
	275		328		307		288
	276		329	39303061	367		300
	286	39104141	349	39303080	192		312
	287	39104161	349		195	39306060	92
	288	39104164	345		203	39313051	255
	289		347	39303081	207		261
	298	39105084	255		221	39313061	42
	300		260		227		248
	301	39105243	16		238		272
	311		38		340		285
	313	39115241	38		247		297
39001064	273	39203080	254		270		310
	275		260		273	39313101	239
	276	39203102	328		284		241
	286	39203105	315		287		248

NUMERICAL PART NUMBER INDEX

<i>Part No.</i>	<i>Page No.</i>	<i>Part No.</i>	<i>Page No.</i>	<i>Part No.</i>	<i>Page No.</i>	<i>Part No.</i>	<i>Page No.</i>
39313101	256	39602061	307	H92375	237	H111745	238
	257	39602184	340		246		247
	262	39602201	342		270		254
	263	39802081	238		283		260
	272		247		295		271
	274		271		307		284
	277		274	H97572	345		296
	285		284		347		308
	288		287	H97574	240	H111746	328
	290		296	H87575	240	H112270	229
	297		299	H97576	240	H113050	227
	300		308	H98235	228	H114165	237
	302		312	H98236	228		238
	309	39802101	256	H100670	237		240
	312		261		246		247
	315	39802204	340		270		270
39323081	327		343		283		271
39323101	328	39802280	129		295		274
39403070	192	39811081	195		307		283
39403081	327	39822081	191	H101078	222		284
39403100	203		228	H105230	221		287
39403101	195	39902040	179	H105472	238		295
39403200	203		180		240		296
39423122	238	39902050	180		247		299
	247	39912051	179		271		308
	271	49503062	194		274		312
	274	59410809	37		284	H114708	239
	284	59410909	36		287		241
	287	59511609	40		296		248
	296	59622601	105		299		272
	299		106		308		274
	308	59623401	106		312		285
	312	69308080	324	H107112	236		288
39600166	236				245		297
	240				269		300
	245	"H" PREFIX			282		309
	269				294		312
	282	H27223	221		306	H114709	239
	294		359		329		241
	306	H27326	328	H108236	237		248
39601041	273	H80658	367		238		272
	275	H83228	366		240		274
	286	H83288	337		247		285
	288		338		254		288
	289		366		260		297
	298	H83295	237		270		300
	300		246		271		309
	301		269		274		312
	310		282		283	H114768	238
	312		294		284		240
	313		307		287		247
39601160	205	H84330	222		295		271
39602061	237	H89382	237		296		274
	246		246		299		284
	270		270		308		287
	283		283		312		296
	295		295	H111745	195		299
			307				

NUMERICAL / PART NUMBER INDEX

<i>Part No.</i>	<i>Page No.</i>	<i>Part No.</i>	<i>Page No.</i>	<i>Part No.</i>	<i>Page No.</i>	<i>Part No.</i>	<i>Page No.</i>
HI14768	308	K9058	99	K19165	165	K20720	99
	311	K9279	133		166		375
HI15790	229	K10099	133	K19256	20	K20759	198
	305	K10108	20		44	K21127	99
	307		44		45	K21131	166
	309		45	K19257	20	K21391	157
	310	K10380	198		44	K21392	157
HI15971	238	K10394	179		45	K21393	157
	247		180	K19258	20	K21394	157
	271	K10481	20		44	K21421	99
	284		44		45	K21447	99
	296	K11405	20	K19260	20	K21463	20
	308		22		44		45
HI16241	239	K11423	21		45	K21469	197
	248		22	K19262	20	K21471	20
	271		46		44		44
	274	K11432	20		45		45
	285		22	K19263	20	K21749	23
	288		45		44		46
	297	K11445	20		45	K21765	173
	300		21		78	K21773	203
	309		22	K19264	20	K21921	229
	312		45		44		242
	328		46		45		257
HI17201	230	K12519	200		78		264
HI17729	349	K12546	21	K19265	20		368
HI18572	367		22		44	K21947	78
HI18573	367		46		45	K22199	195
HI18625	238	K12547	21		79	K22416	21
	247		22	K19286	203		23
	271		46	K19298	99		46
	274	K12549	21		105	K22438	200
	284		22	K19650	21	K22447	73
	287		46		22	K22582	21
	296	K12553	21		46	K22588	23
	299	K12555	21	K19708	165		46
	308	K12557	21		166	K22730	192
	312		22	K19709	166	K22732	192
HI22565	228		46	K19776	79	K22745	192
		K12569	23	K19974	165	K22755	99
			46		166	K22756	192
		K12599	20	K19975	165	K22773	194
			22	K20251	197	K22774	194
		K13026	21		198	K22775	194
			22	K20252	197	K25108	192
			46	K20253	197	K25362	154
K1566	180	K14116	203	K20254	197	K25440	200
K2689	180	K15011	198	K20255	197	K23631	101
K3877	99	K15012	198		198		165
K7961	203	K15489	198	K20322	20		166
K9033	20	K15494	197		44	K23791	237
	44	K15882	20		45		246
	79	K16539	133	K20323	99		270
K9038	20	K17853	20	K20325	99		283
	44		45	K20326	99		295
K9039	20	K18999	102	K20617	192		307
	44		107	K20634	198	K23792	237
	45						
K9056	99						

NUMERICAL PART NUMBER INDEX

<i>Part No.</i>	<i>Page No.</i>	<i>Part No.</i>	<i>Page No.</i>	<i>Part No.</i>	<i>Page No.</i>	<i>Part No.</i>	<i>Page No.</i>
K23792	246	K25539	165	K26231	197	K29886	165
	270		375	K26242	101		375
	283	K25540	165		166	K29918	238
	295		166	K26301	79		240
	307	K25541	165	K26302	79		247
K23978	165		166	K26303	79		270
K23988	165	K25542	165	K26304	79		273
K24477	14		166	K26305	79		284
	15	K25545	165	K26308	79		287
	36	K25550	165	K26436	147		296
K24485	195	K25551	165	K26437	147		299
K24486	195		166	K26438	147		308
K24487	195	K25552	165	K26439	147		311
K24494	20		166	K26443	99	K29994	21
	44	K25579	180		375	K29997	21
K24509	23	K25587	45	K26445	99		23
	46	K25922	100	K26447	165		46
K24512	22		106	K26644	191	K30017	20
	23	K25923	100	K26780	194		22
K24527	99		106	K26781	192		45
K24543	15	K25925	101		193	K30020	22
K24545	15		106	K26784	192	K30024	22
K24546	15	K25986	200	K26785	191		46
K24548	15	K25987	200	K26795	194	K30025	20
K24549	15	K25990	20	K26796	193		22
K24555	15		22		364	K30027	23
K24582	14		45	K28837	200	K30048	80
K24585	36	K25991	20	K28844	77	K30050	73
K24587	14		22	K29072	192	K30052	73
K24588	14		45	K29496	101		
K24591	14	K25992	20		166		
	15		22	K29578	101	"L" PREFIX	
	36	K25994	20		107		
K24592	14	K25995	20		166	L179	157
K24988	200		22	K29579	101	L180	157
K25349	133		46		107	L765	20
K25351	14	K25996	20		166		21
K25352	15	K25997	21	K29619	197		22
K25353	15		22	K29656	79		45
K25496	193		46	K29667	168		46
K25506	200	K25998	21	K29738	192	L809	20
K25514	101		22	K29739	192	L1438	206
	166		46	K29765	73	L1828	21
K25518	101	K26003	23	K29766	73		
	166		46	K29804	101		
K25520	101	K26007	73		166	"P" PREFIX	
	166	K26027	20	K29814	193		
K25524	101		22	K29815	193	P19072	137
	107		45	K29817	195	P22296	13
	166	K26068	192	K29856	194	P23515	157
K25525	101		193	K29858	18	P27766	114
	166	K26094	200		81		120
K25534	165	K26193	165	K29859	18	P35401	12
	375	K26207	193		81	P40006	138
K25535	165	K26208	193	K29884	165	P40894	199
	375	K26209	193		166	P41587	13
K25536	165	K26230	197		375	P41602	20
K25537	165						

NUMERICAL/PART NUMBER INDEX

<i>Part No.</i>	<i>Page No.</i>	<i>Part No.</i>	<i>Page No.</i>	<i>Part No.</i>	<i>Page No.</i>	<i>Part No.</i>	<i>Page No.</i>
P41602	45	P45658	200	P49197	167	P54741	102
P42165	359	P46129	193	P49285	365		107
P42694	365	P46162	194	P49288	239		167
P42712	201	P46259	192		248	P55304	137
P42839	137	P46336	256		272	P55398	138
P42901	106		261		285	P55499	127
P42910	202	P46350	67		297	P55506	113
P42958	227	P46371	367		309	P55507	113
P43057	228	P46375	196	P49292	359		119
P43203	222	P46379	364	P49293	206	P55508	113
P43225	355	P46380	364		207	P55514	114
	356	P46423	206		364	P55516	113
P43327	241	P47665	18	P49294	206		119
	256		42		207	P55541	114
P43469	355	P48375	145	P49295	207	P55542	114
	356	P48510	11	P49296	206	P55543	114
P43470	355		83	P49297	206	P55557	115
	356	P48512	13	P49315	179	P55587	137
P43523	137	P48514	16		181	P55844	12
P43555	365		39	P49320	179		34
	366	P48515	16		180	P56184	200
P43574	227		38	P49321	73	P56444	137
P43647	237	P48516	38	P49322	167	P65236	35
	246		35	P49323	167		35
	269	P48520	18	P49325	179	P68139	127
	283		39		180	P72045	73
	295	P48523	15		340	P75692	137
	307		38		341	P75920	102
P43724	227	P48525	38		342		107
	228	P48528	16		343		167
P43782	167	P48554	13	P49326	339		181
P43848	14	P48568	11		341	P79453	114
P43860	223	P48598	15		342	P79465	114
P43920	229	P48678	101		343	P79466	114
P44045	202	P48763	137	P49327	219	P79468	115
P44187	79	P48837	102		220	P79469	115
P44339	202	P48845	37	P49329	323	P79470	115
P44417	99	P49001	366	P49330	359	P79472	115
P44447	197	P49120	237	P49331	181	P79479	115
P44685	195		246	P49335	77	P79835	137
P44691	202		270	P49338	365	P79837	137
P44863	192		283	P49339	14	P79838	137
P44885	195		295		180	P79839	137
P44927	200		307	P49347	206	P79858	137
P44952	194	P49122	228		207	P79868	115
P44994	20	P49135	206	P49349	15	P79941	137
	45	P49152	229		36	P79942	137
P45185	195		263	P49364	99	P79943	137
P45432	20		329	P49375	63	P81034	115
	44	P49178	337	P53238	100		121
	375		338		106		128
P45474	192		339	P53486	157	P81086	115
P45475	192		340	P53593	115		120
P45479	192		341	P53751	12	P82493	120
P45492	205		342		83	P83367	137
P45498	158		343		100	P83376	137
P45645	204		366	P53782	359	P83521	146

NUMERICAL PART NUMBER INDEX

<i>Part No.</i>	<i>Page No.</i>	<i>Part No.</i>	<i>Page No.</i>	<i>Part No.</i>	<i>Page No.</i>	<i>Part No.</i>	<i>Page No.</i>
P83613	145	P102431	185	P103734	14	P107023	35
P83617	147	P102460	11		35	P107024	13
P83620	146	P102536	113	P103740	15		35
P84112	221	P103609	12		37	P107025	13
P84642	16		34	P103745	15		35
	38	P103610	12	P103754	15	P107447	82
P84770	153		34		37	P107710	34
	154	P103612	12	P103756	11	P107711	34
P84837	16		34		33	P107799	43
	38	P103618	12	P103766	12	P107822	18
P86026	277		34		34		42
	291	P103620	12	P103779	179	P107853	13
	303		34	P103781	18		35
P86143	99	P103627	16		23	P107855	13
	105		38		42		375
P86825	16	P103633	17		47	P108006	146
	38		40	P103812	16	P108101	113
	75	P103637	16	P103849	17	P108103	113
P86920	115		38		40	P108106	114
P87227	115	P103638	16	P103854	13	P108112	115
P87309	115		38	P103871	14		121
P88036	16	P103640	16		36		128
P88402	16		38	P103872	14	P108154	113
	38	P103641	16		36		119
P88568	113		38	P103911	43	P108155	114
P88622	145	P103642	16	P103912	16	P108159	114
P88869	115		38		38		120
P89160	82	P103646	16	P103989	364	P108160	113
P89459	206		38	P103994	145	P108186	158
P89659	100	P103652	43	P105150	169	P108414	154
	106	P103653	16	P105318	114	P108551	100
P89716	158		39	P105757	179	P108625	142
P89717	158	P103658	17	P106391	127	P108742	158
P100892	200		39	P106392	127	P109206	157
P100976	359	P103667	13	P106446	146	P109303	169
P101040	145		35	P106886	15	P109392	185
P101041	145	P103673	13	P106890	11	P109410	114
P101051	145		35		33	P109411	114
P101063	127	P103685	11	P106897	16	P109412	114
	129		12		38	P109818	146
P101092	127	P103686	11	P106923	13	P109911	138
P101105	128	P103693	15		34	P109919	138
	129		37	P106938	100		146
	146	P103709	99	P106950	11	P109941	138
P101111	206	P103710	99		33	P109942	138
P101195	169		105	P160963	16	P109958	165
P101262	137	P103714	18		38	P109971	146
P101298	14		42		375	P110093	90
P101794	127	P103719	15	P106976	12	P110094	92
P101831	145		37		375	P110127	115
P101981	89	P103720	15	P106984	16		121
	91		37		38	P110338	115
P101989	158	P103721	15	P106987	42	P110339	115
P102286	359	P103727	20	P106997	13		121
P102368	115		45		35	P110356	145
	120	P103732	13	P107003	11	P110491	169
P102391	127		34	P107023	13	P110493	169

NUMERICAL PART NUMBER INDEX

<i>Part No.</i>	<i>Page No.</i>	<i>Part No.</i>	<i>Page No.</i>	<i>Part No.</i>	<i>Page No.</i>	<i>Part No.</i>	<i>Page No.</i>
P110494	169	P113464	116	P115153	375	P118718	366
P111775	137		121	P115756	206	P118772	12
P111850	15	P113466	114	P116003	146		34
	37	P114228	16	P116252	147	P118812	11
P112088	115		38	P116396	114	P118843	147
P112147	12	P114229	16	P116554	229	P118844	147
	34	P114230	13	P116640	137	P118845	127
P112178	19	P114247	14	P116691	356	P118879	16
	43	P114478	15	P116710	147		38
P112696	173	P115105	16	P116888	17		
P113395	12		38		39		
	34	P115138	147	P117486	365	"W" PREFIX	
P113462	116	P115144	127		366		
	121	P115152	166	P117694	114	W13290	129
P113463	116		375		120	W13461	221
	121	P115153	101	P118718	365		

PARTS LIST

FOR

LIGHT FORWARD CONTROL

1500 and 2500 Series I, II and IIA
($\frac{3}{4}$ and 1 Ton)

**THIS PARTS LIST (PART NUMBER 6601307) SUPERSEDES ALL
PREVIOUS PARTS LISTS FOR SERIES I, II AND IIA MODELS, i.e.:—**

6600958 — LOOSE-LEAF — SERIES I, II AND IIA
6600903 — BOUND SUPPLEMENT — SERIES II
6600790 — BOUND SUPPLEMENT — SERIES I
6600754 — BOUND EDITION — SERIES I
AND INCORPORATES ALL AMENDMENTS AND DATA SHEETS

REFER TO PARTS LIST (PART NUMBER 6601229) FOR SERIES III (PA) MODELS